

US00D940029S

(12) **United States Design Patent**
Jeon et al.

(10) **Patent No.:** **US D940,029 S**
(45) **Date of Patent:** **** Jan. 4, 2022**

(54) **TAILGATE PANEL FOR AN AUTOMOBILE**
(71) Applicants: **Hyundai Motor Company**, Seoul (KR); **Kia Motors Corporation**, Seoul (KR)
(72) Inventors: **Kyu Nam Jeon**, Hwaseong-si (KR); **Myung Jin Jung**, Hwaseong-si (KR)
(73) Assignees: **Hyundai Motor Company**, Seoul (KR); **Kia Motors Company**, Seoul (KR)

(**) **Term:** **15 Years**
(21) **Appl. No.:** **35/510,272**
(22) **Filed:** **Mar. 10, 2020**

(80) **Hague Agreement Data**
Int. Filing Date: **Mar. 10, 2020**
Int. Reg. No.: **DM/207113**
Int. Reg. Date: **Mar. 10, 2020**
Int. Reg. Pub. Date: **Sep. 18, 2020**

(30) **Foreign Application Priority Data**
Sep. 30, 2019 (KR) 30-2019-0046911
(51) **LOC (13) Cl.** **12-16**
(52) **U.S. Cl.**
USPC **D12/196**
CPC **B62D 24/02** (2013.01)
(58) **Field of Classification Search**
USPC ... D12/86-92, 163, 169, 171, 183, 196, 216
CPC B62D 24/02; B62D 25/00; B62D 25/003;
B62D 25/02; B62D 25/08; B62D
33/0273; B62D 33/03; B62D 33/037
See application file for complete search history.

(56) **References Cited**
U.S. PATENT DOCUMENTS
D499,357 S * 12/2004 Velazco D12/91
D736,128 S * 8/2015 Blanski D12/196

D749,480 S * 2/2016 Yu D12/196
D766,795 S * 9/2016 Kim D12/196
D783,482 S * 4/2017 Smith D12/196
D788,644 S * 6/2017 Mueller D12/91
D788,645 S * 6/2017 Mueller D12/91
D790,400 S * 6/2017 Zavatski D12/91
D797,632 S * 9/2017 Zipfel D12/196
D799,375 S * 10/2017 Zavatski D12/91
D799,376 S * 10/2017 Telaak D12/91
D801,858 S * 11/2017 Hagino D12/91
D801,861 S * 11/2017 Hubers D12/91
D801,862 S * 11/2017 Brendel D12/91
D802,478 S * 11/2017 Perkins D12/91
D802,482 S * 11/2017 Sterner D12/91
D803,123 S * 11/2017 Granlund D12/196
D804,359 S * 12/2017 Ishii D12/91
D805,433 S * 12/2017 Scheinhutte D12/91
D805,434 S * 12/2017 Bischoff D12/91
D805,959 S * 12/2017 Wheel D12/91
D805,985 S * 12/2017 Nakamura D12/196
D807,227 S * 1/2018 Chen D12/91
D807,228 S * 1/2018 Woolley D12/91
D807,788 S * 1/2018 Hatton D12/91
D808,321 S * 1/2018 Kim D12/196

(Continued)

Primary Examiner — Richard E Chilcot
(74) *Attorney, Agent, or Firm* — Mintz Levin Cohn Ferris
Glovsky and Popeo, P.C.; Peter F. Corless

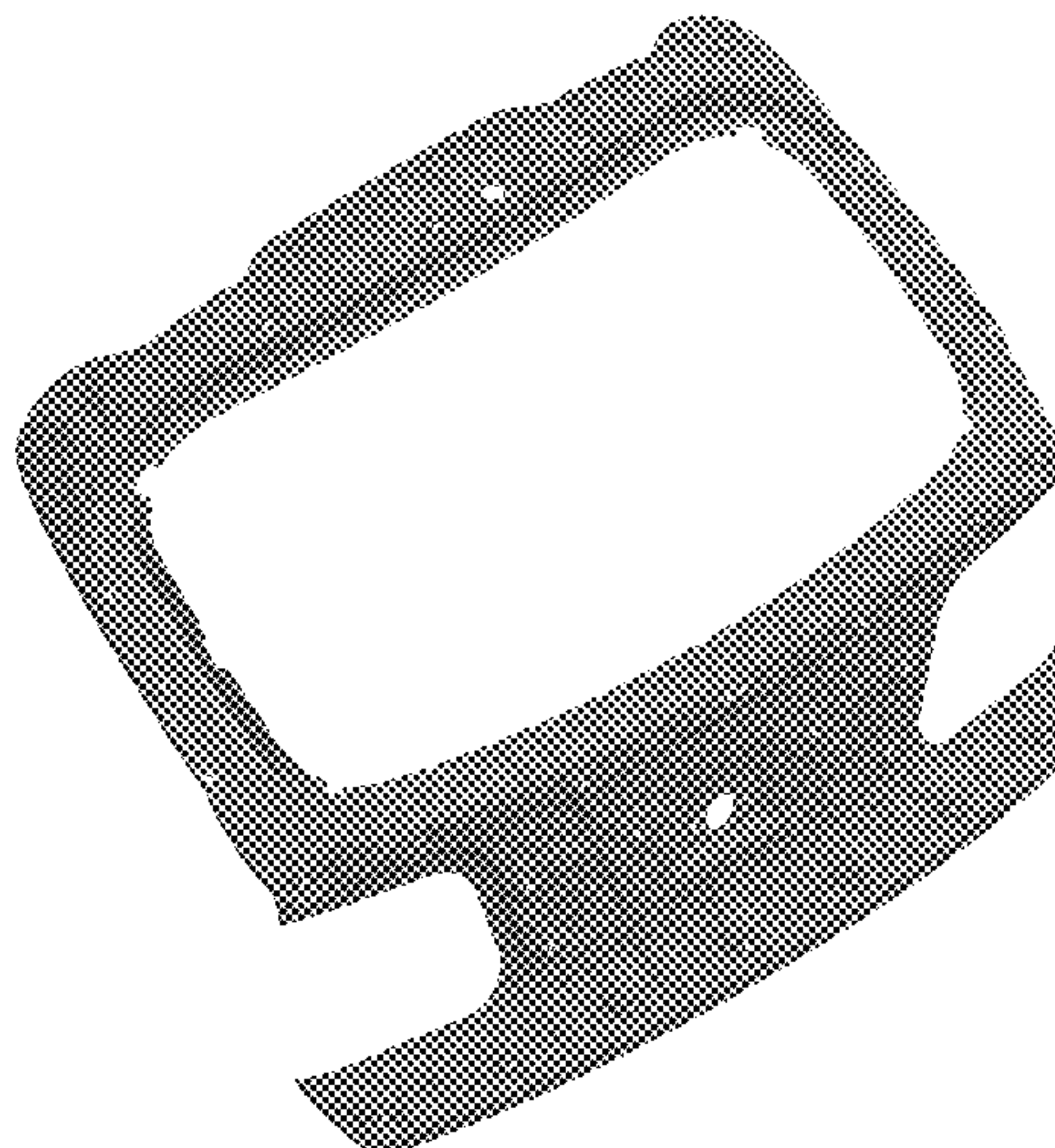
(57) **CLAIM**

The ornamental design for a tailgate panel for an automobile, as shown and described.

DESCRIPTION

- 1. Tailgate panel for an automobile
- 1.1 : Perspective
- 1.2 : Front
- 1.3 : Back
- 1.4 : Left
- 1.5 : Right
- 1.6 : Top
- 1.7 : Bottom

1 Claim, 7 Drawing Sheets



(56)

References Cited

U.S. PATENT DOCUMENTS

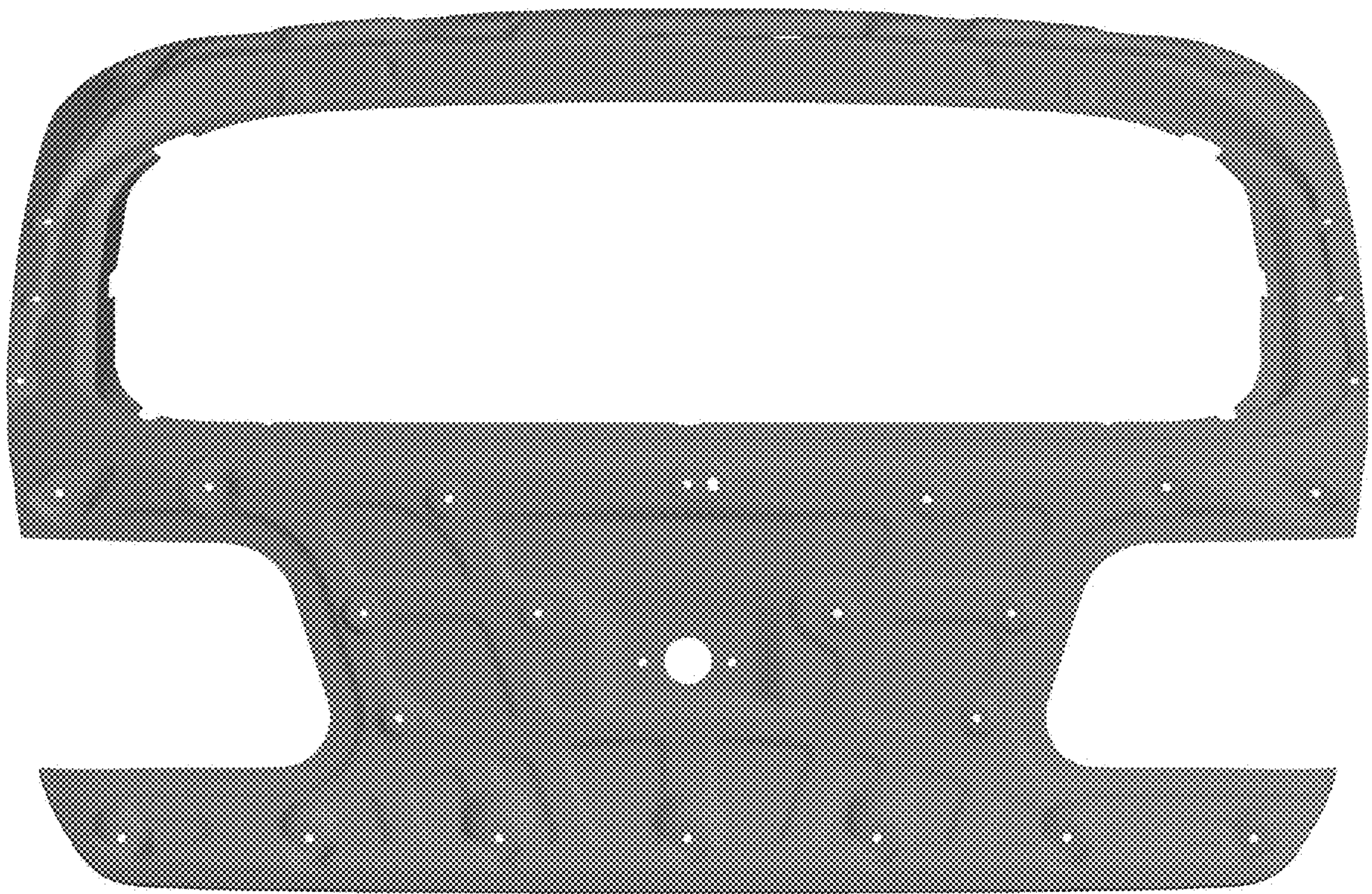
D835,019 S	*	12/2018	Kim	D12/196
D840,308 S	*	2/2019	Schneider	D12/196
D902,103 S	*	11/2020	Al Attar	D12/196
D915,971 S	*	4/2021	Jung	D12/196

* cited by examiner

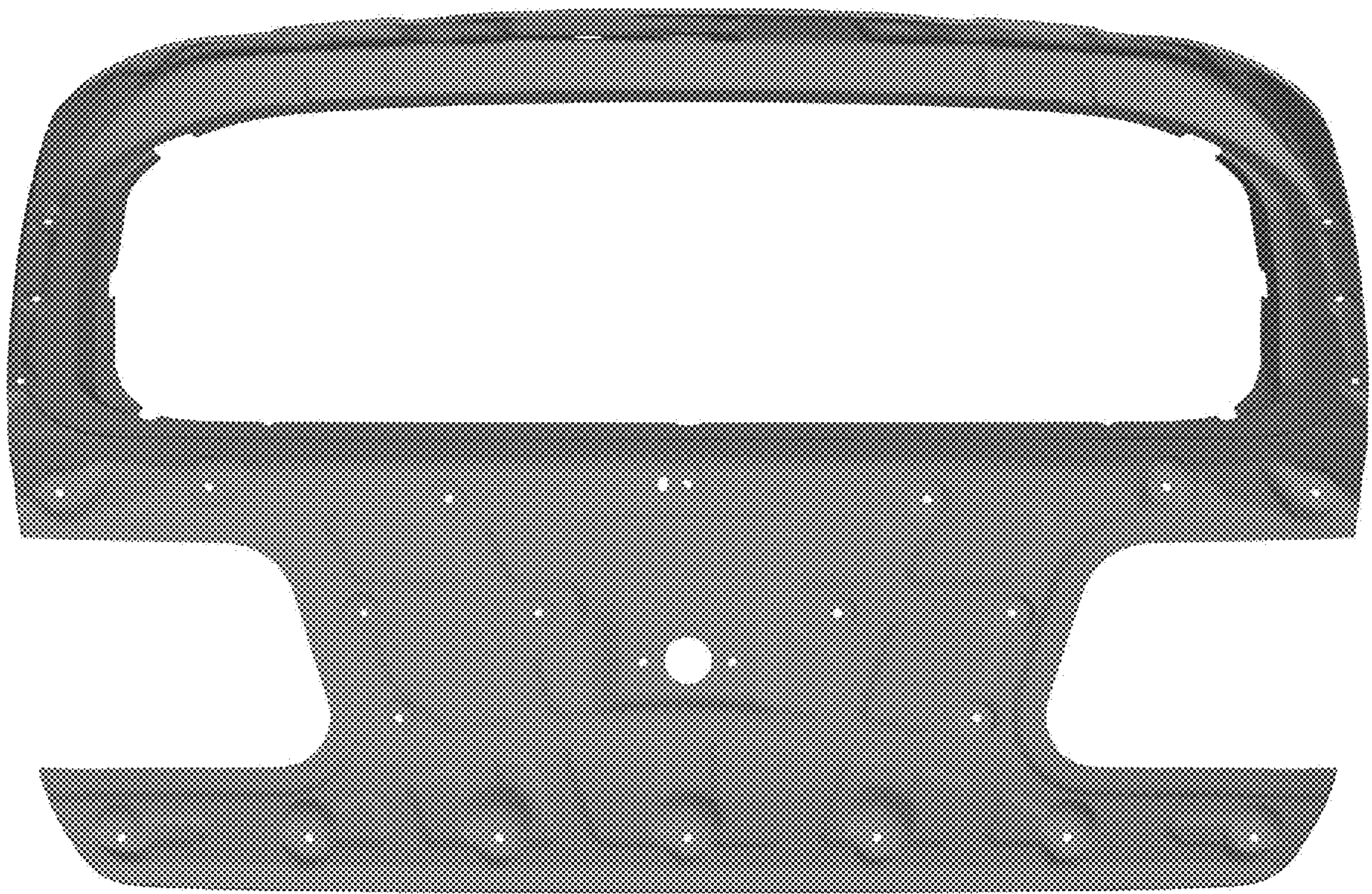
1.1



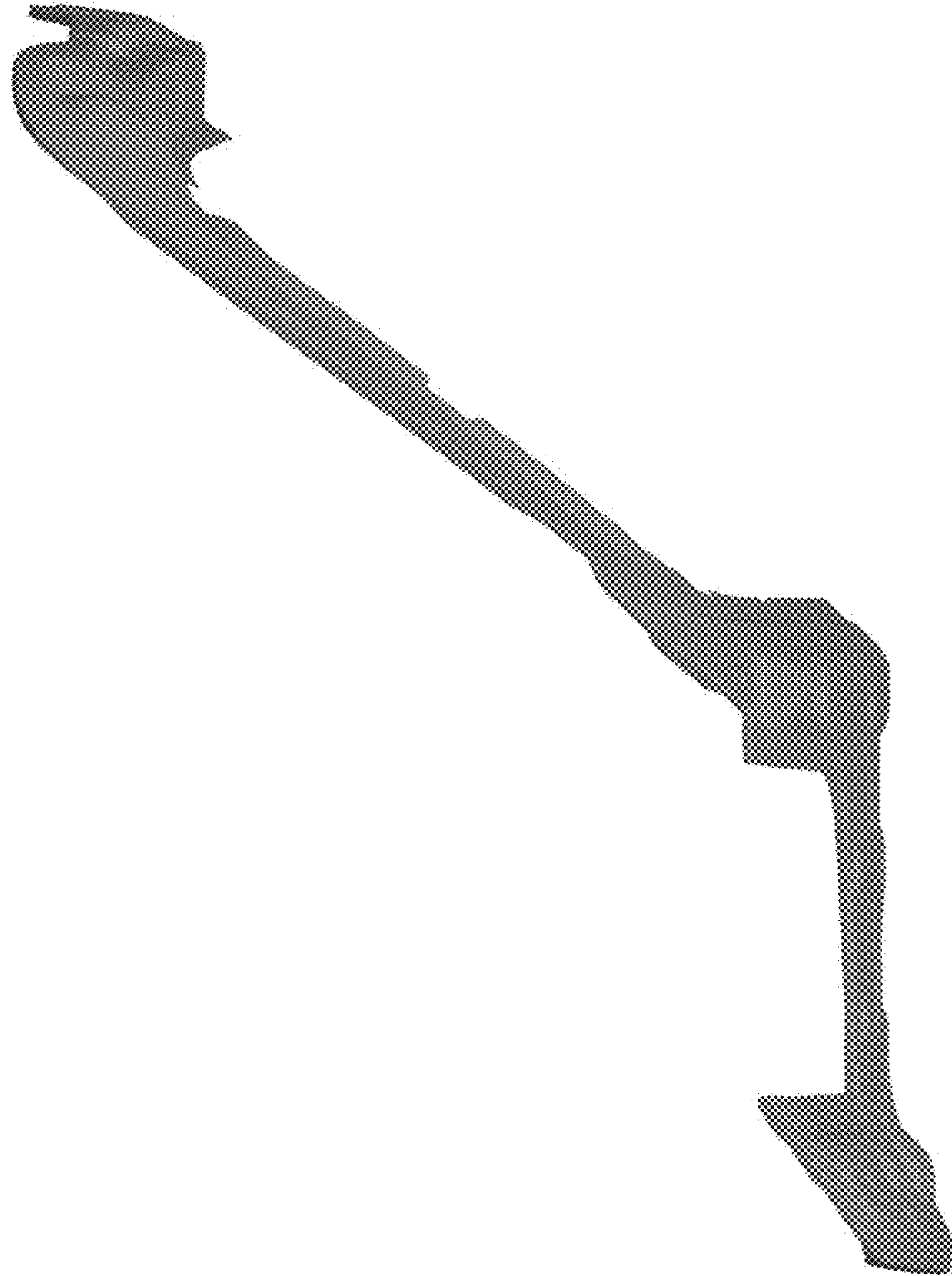
1.2



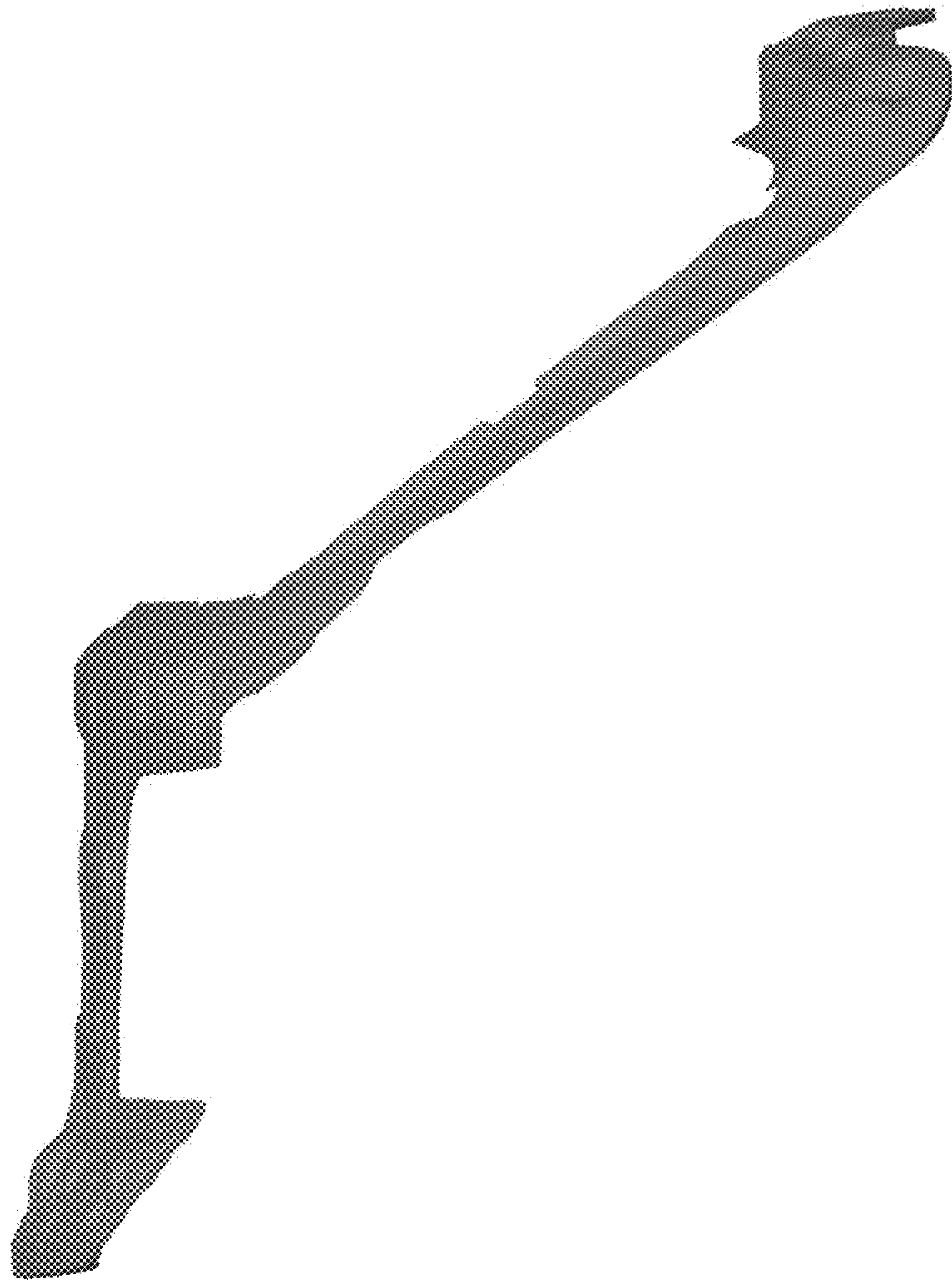
1.3



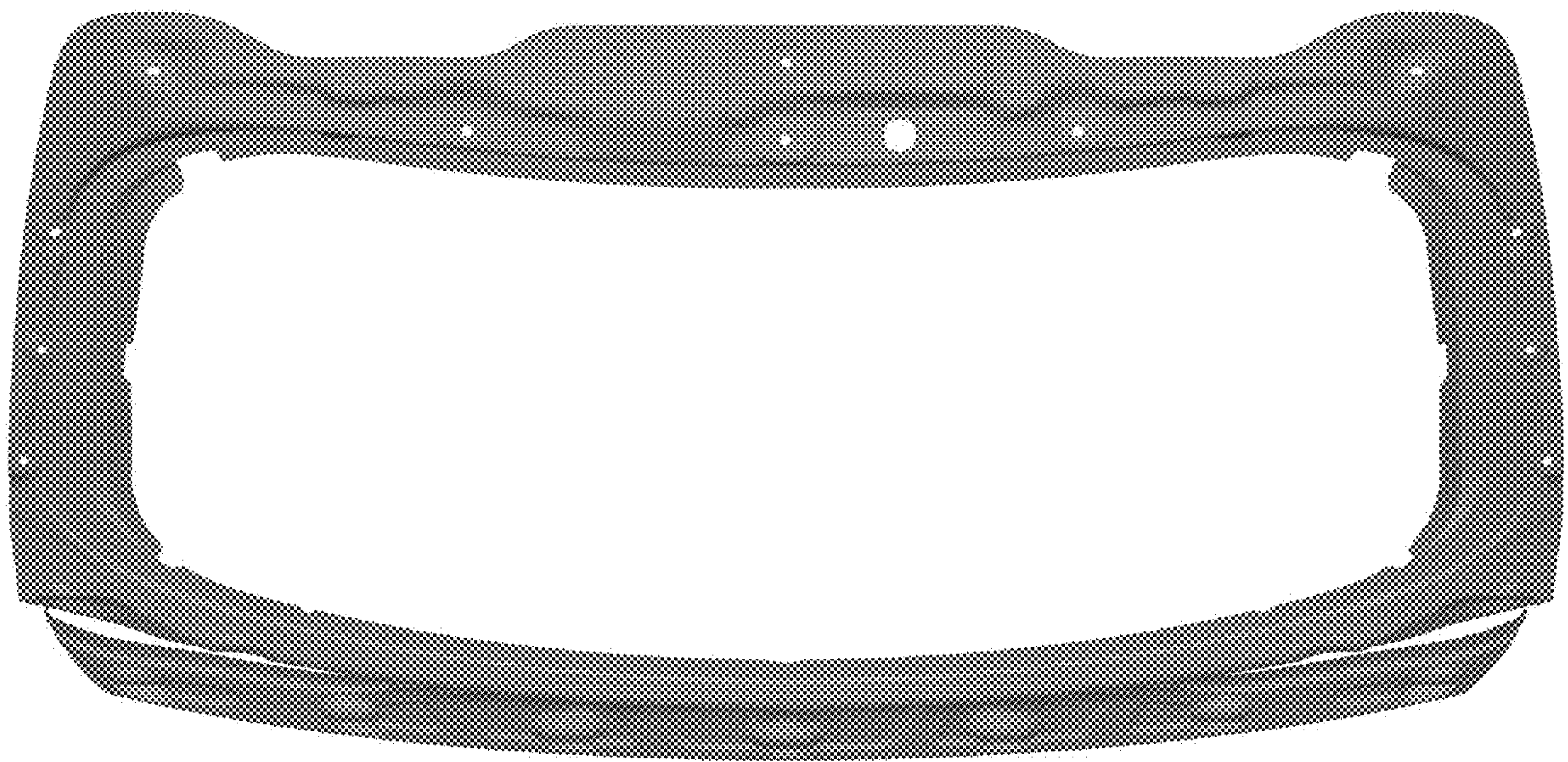
1.4



1.5



1.6



1.7

