



US00D940028S

(12) **United States Design Patent**
Benjamin et al.

(10) **Patent No.:** **US D940,028 S**

(45) **Date of Patent:** **** Jan. 4, 2022**

(54) **AUTOMOBILE INTERIOR**

(71) Applicants: **Chris A. Benjamin**, Clarkston, MI (US); **Winnie W. Cheung**, Clarkston, MI (US); **Dan M. Zimmermann**, West Bloomfield, MI (US); **Cindy Juette**, Rochester Hills, MI (US); **Dean J. Bakker**, Auburn Hills, MI (US)

(72) Inventors: **Chris A. Benjamin**, Clarkston, MI (US); **Winnie W. Cheung**, Clarkston, MI (US); **Dan M. Zimmermann**, West Bloomfield, MI (US); **Cindy Juette**, Rochester Hills, MI (US); **Dean J. Bakker**, Auburn Hills, MI (US)

(73) Assignee: **FCA US LLC**, Auburn Hills, MI (US)

(**) Term: **15 Years**

(21) Appl. No.: **29/717,436**

(22) Filed: **Dec. 17, 2019**

(51) **LOC (13) Cl.** **12-10**

(52) **U.S. Cl.**
USPC **D12/192**

(58) **Field of Classification Search**
USPC D12/192, 415, 114, 345
CPC B60H 1/34; B60H 1/3407; B60H 1/3414;
B60H 1/3421; B60H 1/3428; B60H 1/3435;
B60H 1/3442; B60H 1/345; B60H 1/3457; B60R 11/02; B60R 11/0235; B60R 21/045; B60K 37/04; B60K 35/00

See application file for complete search history.

(56) **References Cited**

U.S. PATENT DOCUMENTS

D693,750 S * 11/2013 Cheung D12/192
D721,996 S * 2/2015 Farcas D12/192

D721,997 S * 2/2015 Hedge D12/192
D727,231 S * 4/2015 Narita D12/192
D803,120 S * 11/2017 Boas D12/192
D808,873 S * 1/2018 Joyce D12/192
D809,443 S * 2/2018 Walker D12/192
D824,306 S * 7/2018 Joyce D12/192
D835,567 S * 12/2018 Gaudreau D12/415
D841,544 S * 2/2019 Buttery D12/192
D847,054 S * 4/2019 Yamada D12/192
D853,919 S * 7/2019 Hazumi D12/192
D860,892 S * 9/2019 Ohmori D12/192
D863,162 S * 10/2019 Schneider D12/192
D864,815 S * 10/2019 Ray D12/192
D877,042 S * 3/2020 Ray D12/415
D889,340 S * 7/2020 Lun D12/192
D903,560 S * 12/2020 Takamura D12/192

* cited by examiner

Primary Examiner — Susan E Krakower

Assistant Examiner — Jerry Shiu-an-Hua Hsu

(74) *Attorney, Agent, or Firm* — Ralph E. Smith

(57) **CLAIM**

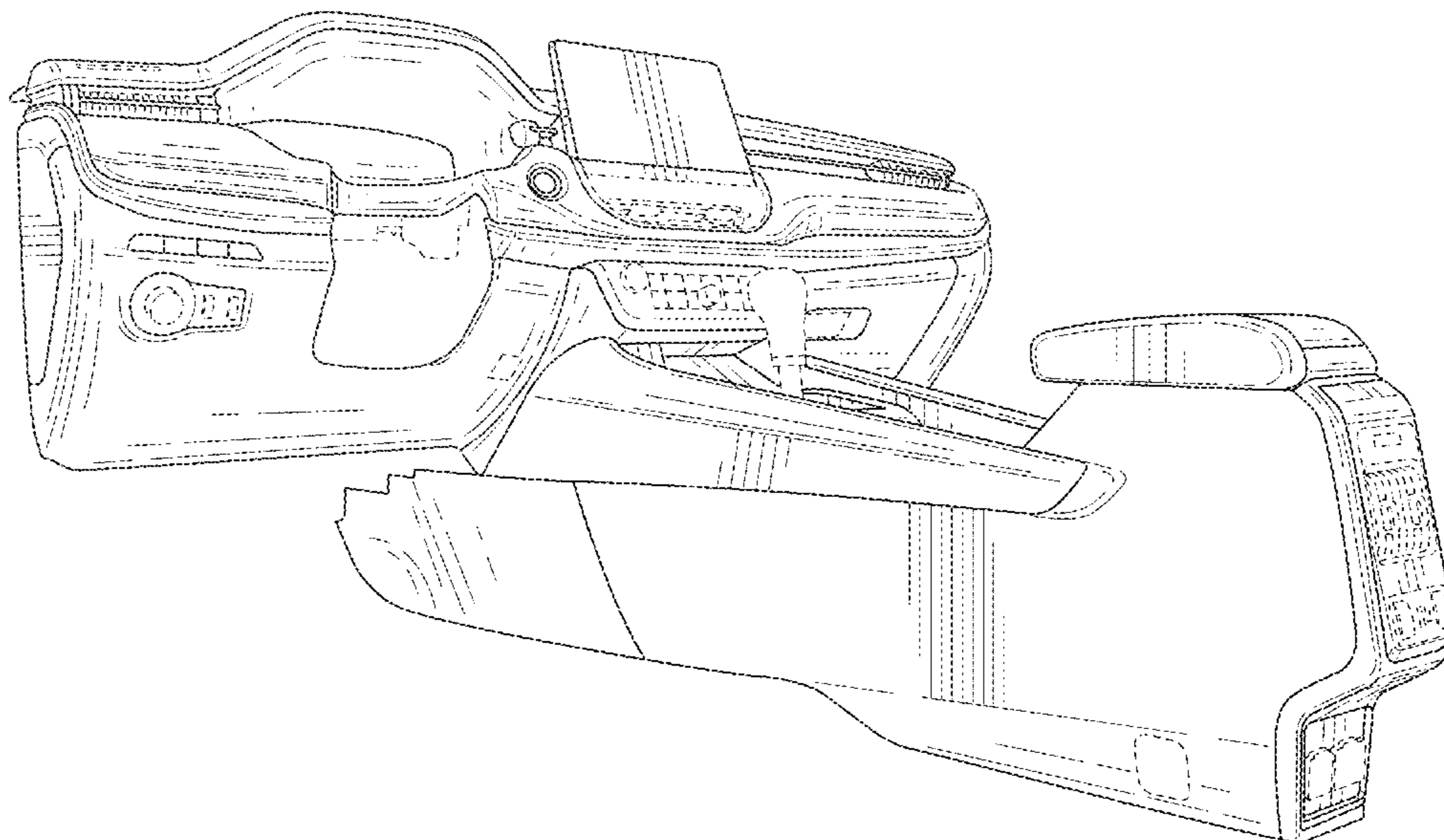
The ornamental design for an automobile interior, as shown and described.

DESCRIPTION

FIG. 1 is a front, left perspective view of an automobile interior showing our new design;
FIG. 2 is a front, right perspective view thereof;
FIG. 3 is a front view thereof;
FIG. 4 is a left side view thereof;
FIG. 5 is a right side view thereof; and,
FIG. 6 is a top view thereof.

The broken lines illustrate portions of the automobile interior that form no part of the claimed design.

1 Claim, 6 Drawing Sheets



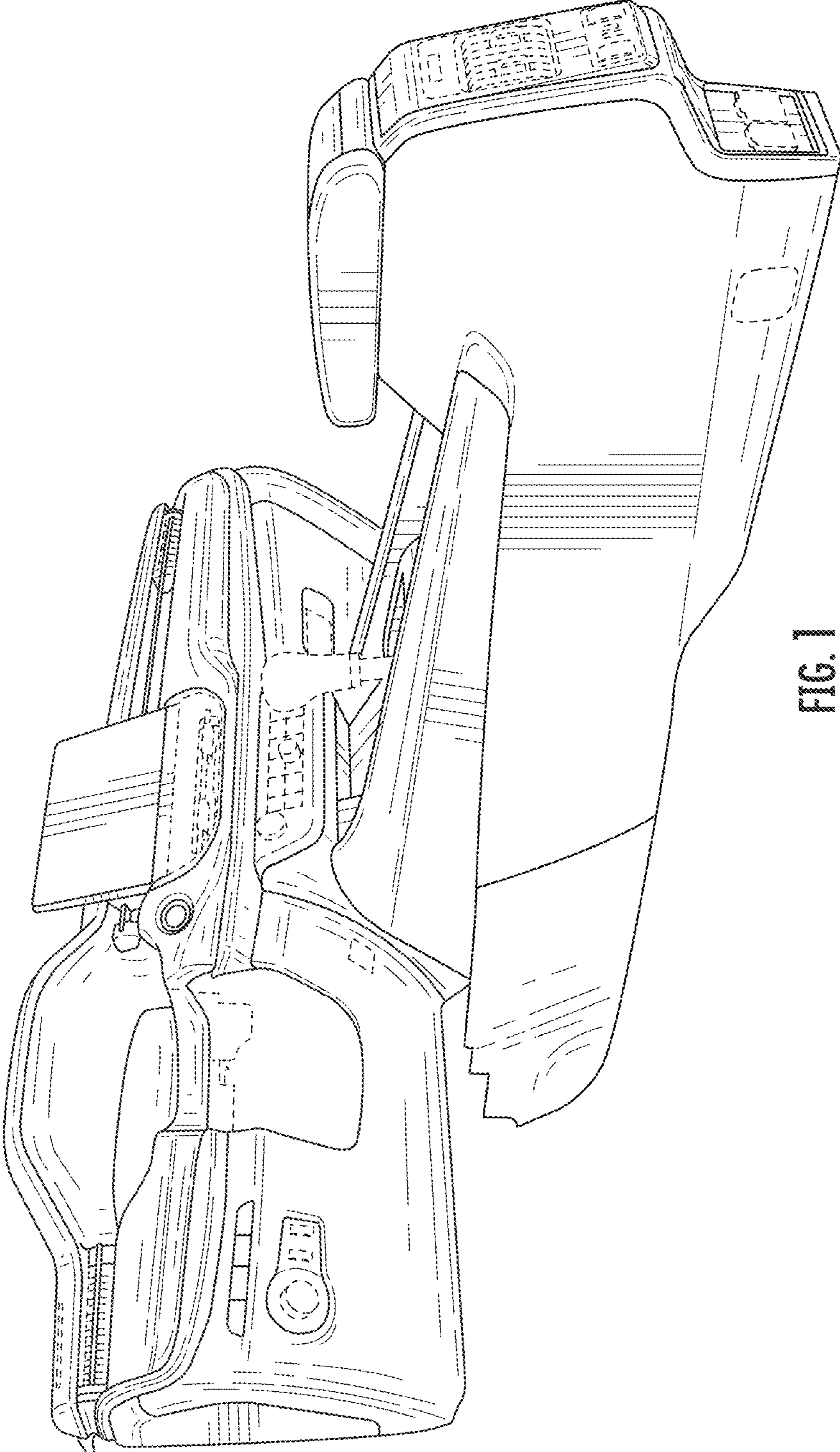


FIG. 1

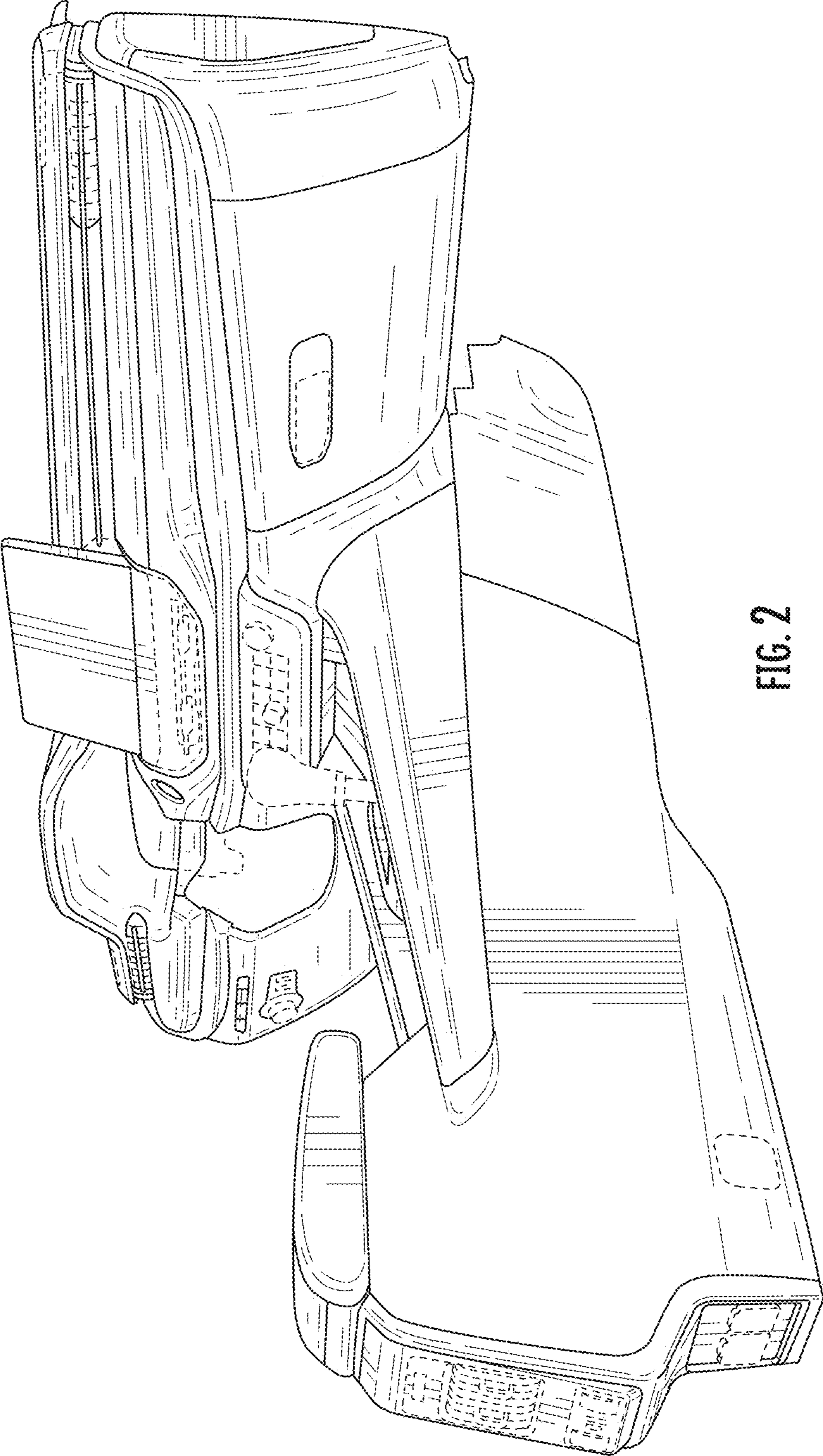


FIG. 2

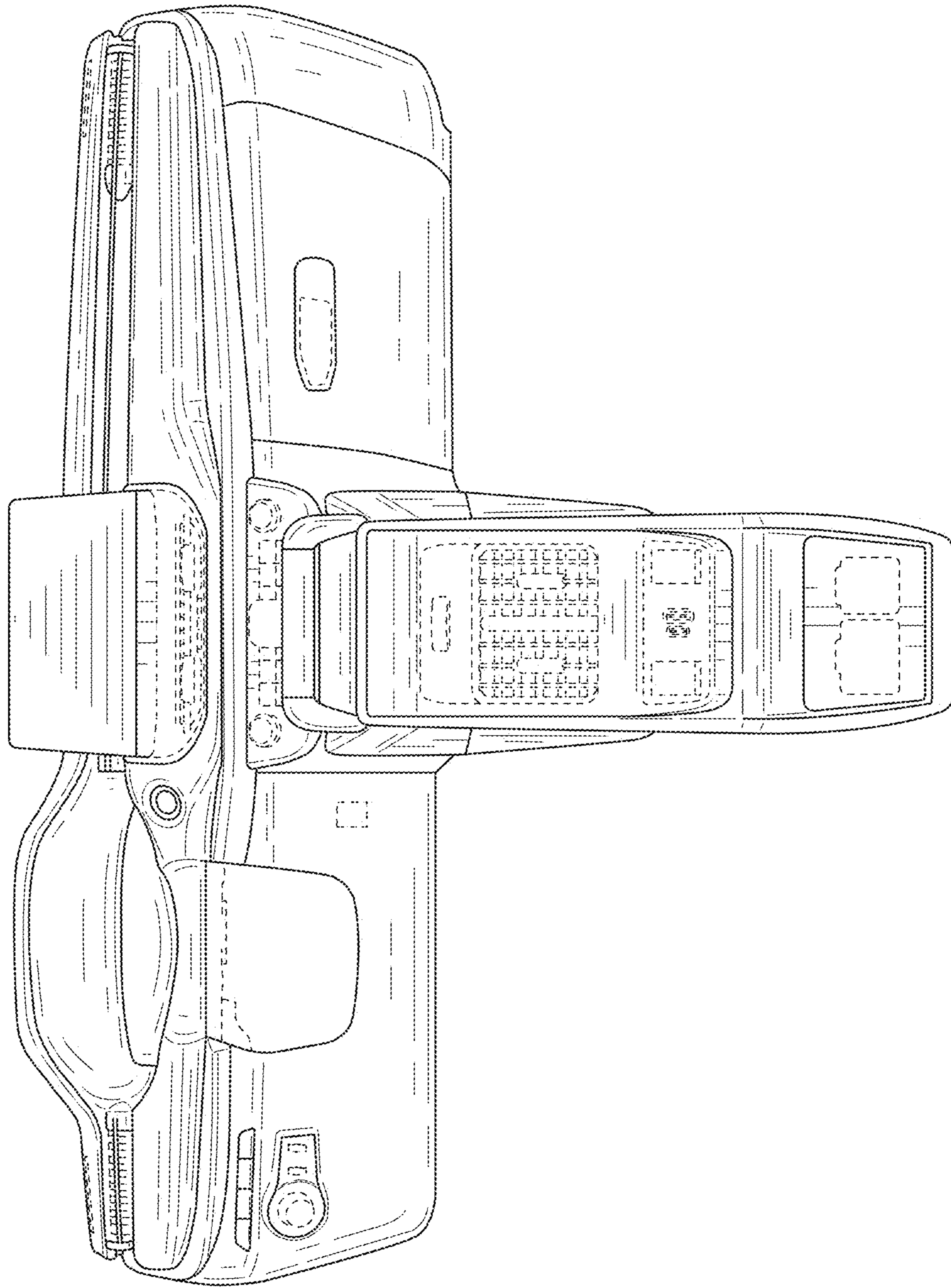


FIG. 3

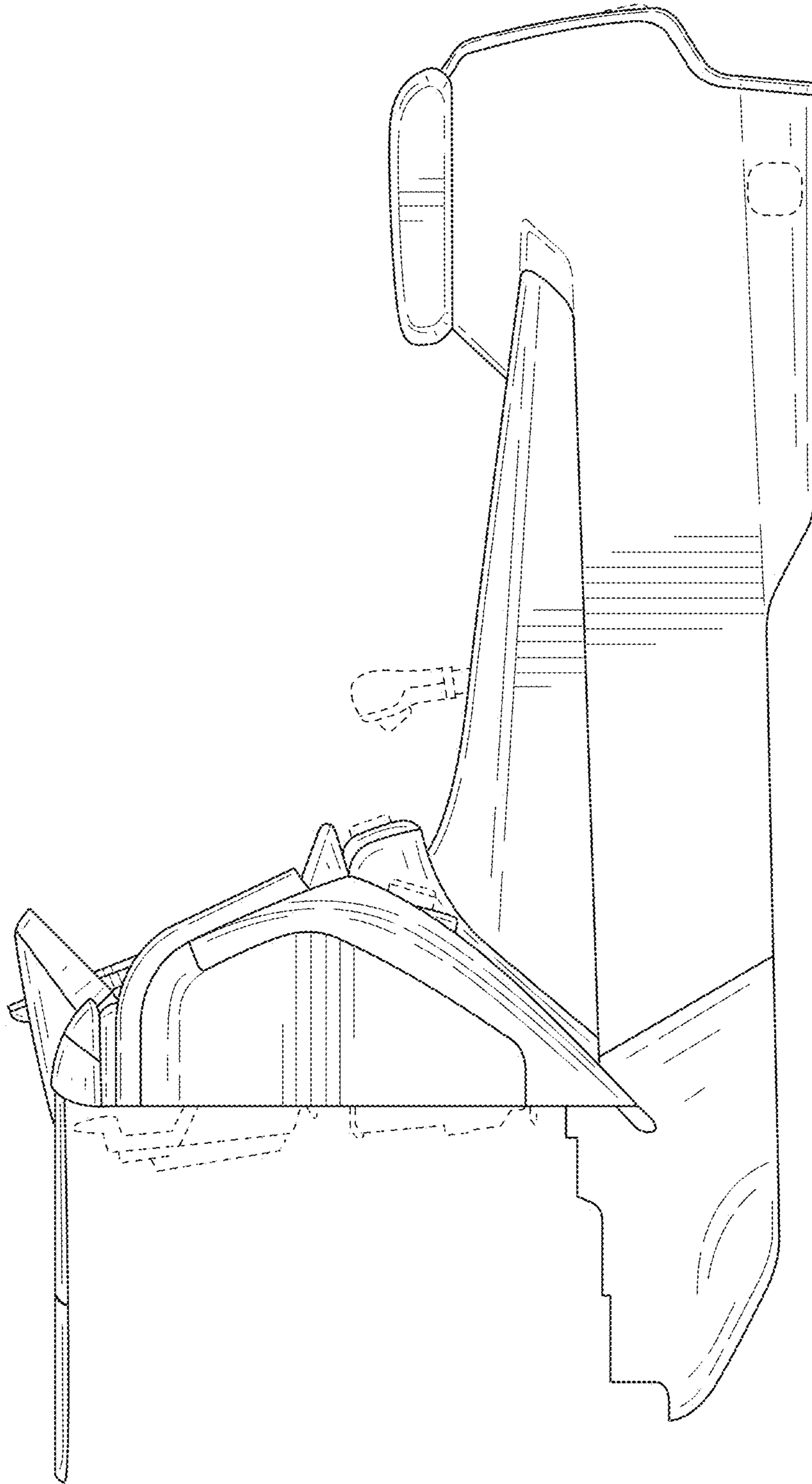


FIG. 4

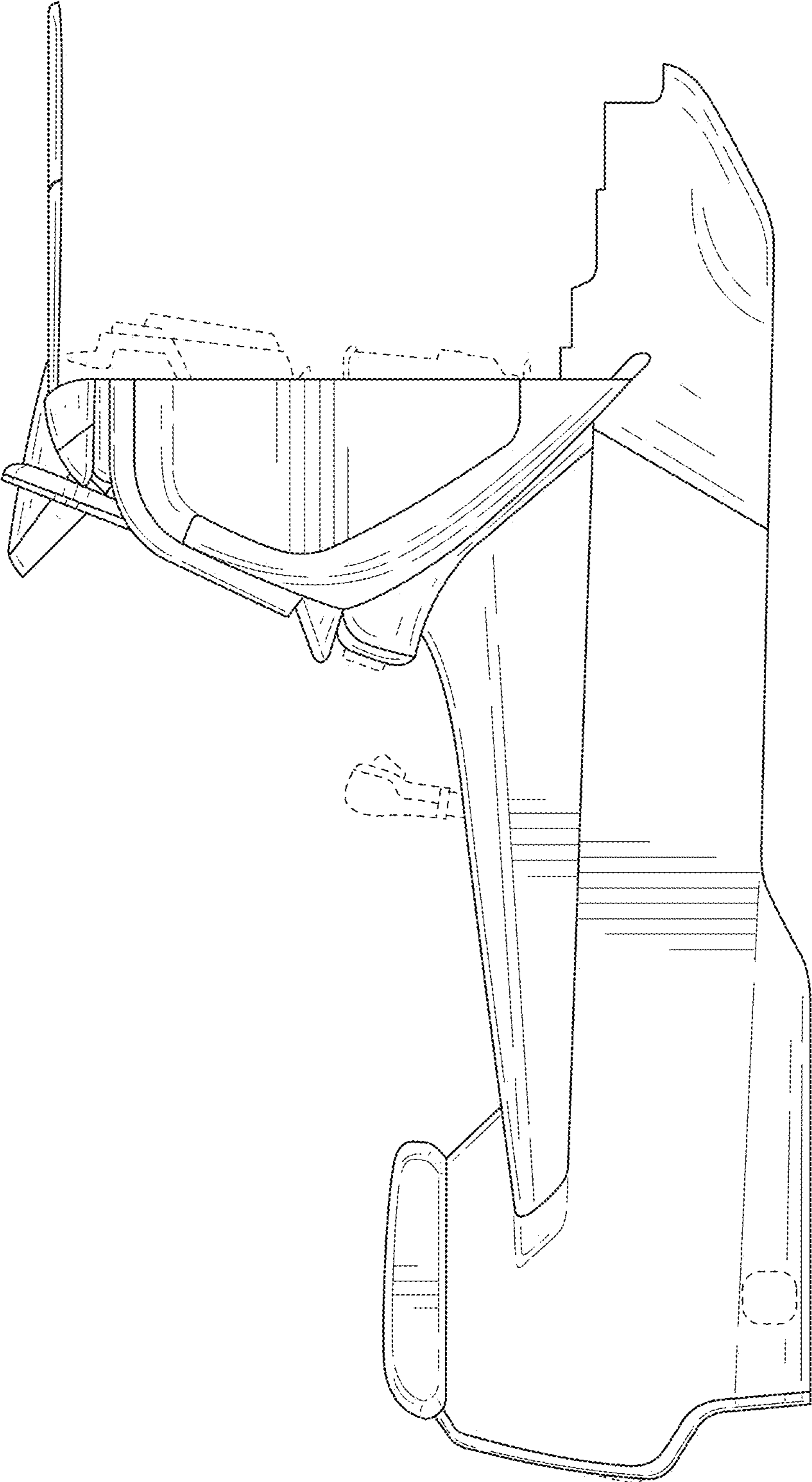


FIG. 5

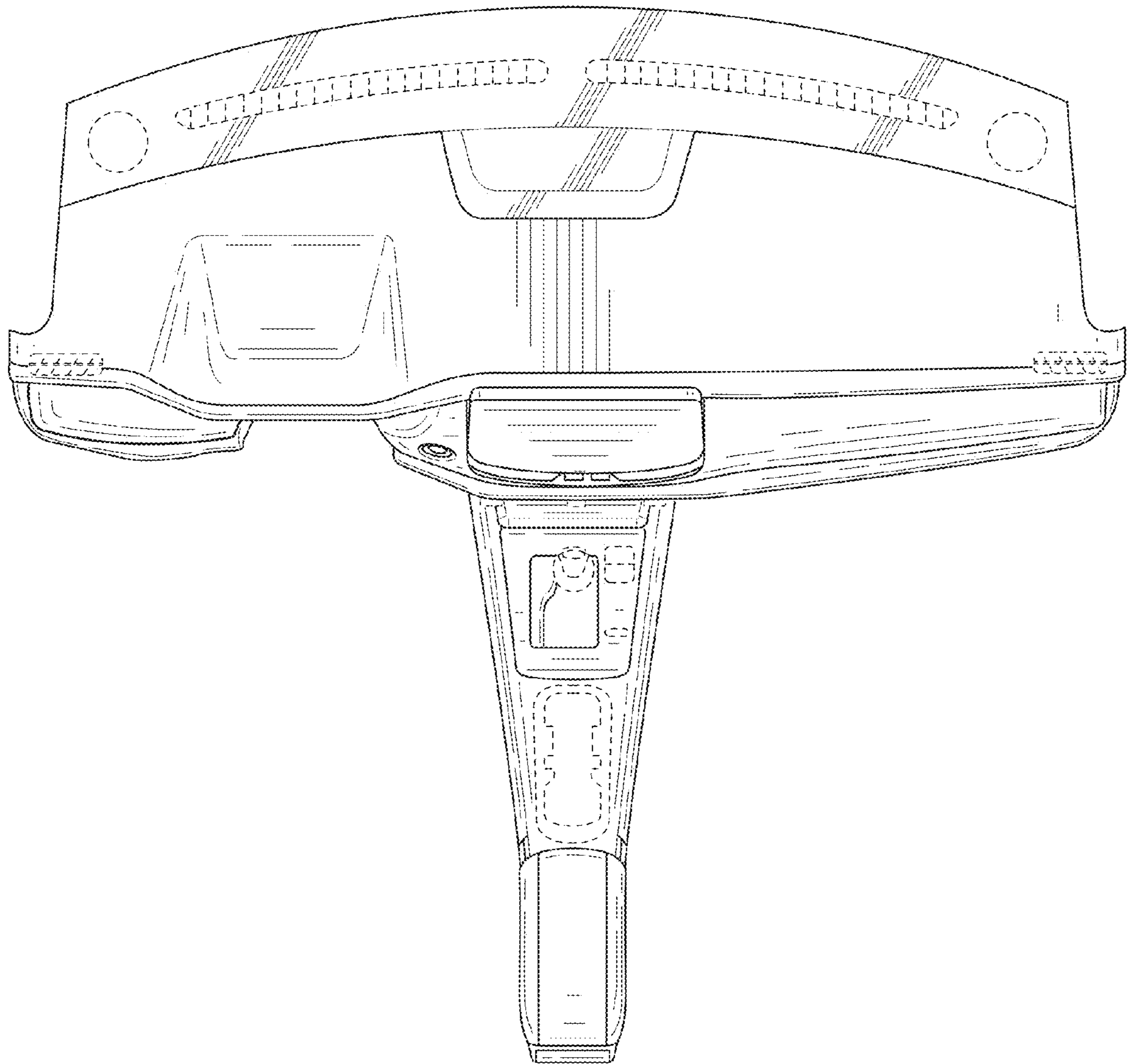


FIG. 6