



US00D940027S

(12) **United States Design Patent** (10) **Patent No.:** **US D940,027 S**
Willing et al. (45) **Date of Patent:** **** Jan. 4, 2022**

(54) **VEHICLE FENDER VENT**
(71) Applicant: **Ford Global Technologies, LLC**,
Dearborn, MI (US)
(72) Inventors: **Todd Willing**, East Melbourne (AU);
Paul Wraith, West Bloomfield, MI
(US); **Dong H. Park**, Canton, MI (US);
Anthony Meyer, Royal Oak, MI (US);
Martin B. Coons, Detroit, MI (US)
(73) Assignee: **Ford Global Technologies, LLC**,
Dearborn, MI (US)
(**) Term: **15 Years**
(21) Appl. No.: **29/747,531**
(22) Filed: **Aug. 24, 2020**
(51) **LOC (13) Cl.** **12-16**
(52) **U.S. Cl.**
USPC **D12/190**
(58) **Field of Classification Search**
USPC D12/114, 163, 164, 166, 167, 169, 171,
D12/172, 173, 181, 190, 191, 196, 216,
D12/400, 86, 88, 91, 92, 90, 93
CPC B60R 19/52; B60K 11/00; B60K 11/08;
B62D 25/08; B62B 9/16
See application file for complete search history.

D836,507 S * 12/2018 Nguyen D12/190
D849,616 S * 5/2019 Nurnberger D12/190
D874,369 S * 2/2020 Donfrancesco D12/190
D886,698 S * 6/2020 Goodrich D12/190
D908,568 S * 1/2021 Peplowski D12/190

OTHER PUBLICATIONS

Unknown, My observations from seeing see the actual 4-door
Bronco raw, unpainted sheet metal shell, Feb. 15, 2020 <https://www.bronco6g.com/forum/threads/my-observations-from-seeing-see-the-actual-4-door-bronco-raw-unpainted-sheet-metal-shell.1048/>.
Unknown, Here's the 2021 Bronco's Tail Light Shape Illuminated,
Feb. 19, 2020 <https://www.bronco6g.com/forum/threads/heres-the-2021-broncos-tail-light-shape-illuminated.1071/>.

(Continued)

Primary Examiner — Susan E Krakower
Assistant Examiner — Jerry Shiuan-Hua Hsu
(74) *Attorney, Agent, or Firm* — Michael Spenner

(57) **CLAIM**

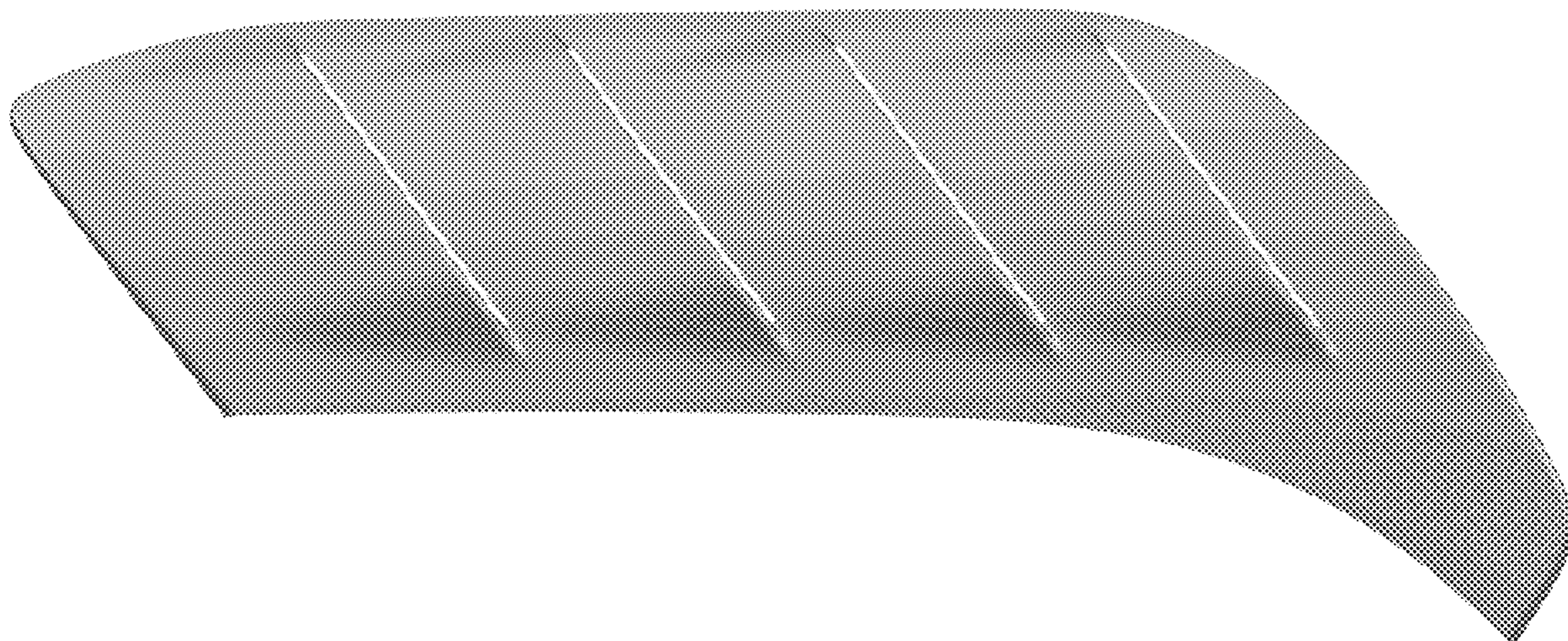
The ornamental design for a vehicle fender vent, as shown
and described.

DESCRIPTION

FIG. 1 is a front elevational view of a vehicle fender vent,
showing our new design;
FIG. 2 is a rear elevational view thereof;
FIG. 3 is a left side elevational view thereof;
FIG. 4 is a right side elevational view thereof;
FIG. 5 is a top plan view thereof;
FIG. 6 is a bottom plan view thereof;
FIG. 7 is a top, front and left side perspective view thereof;
FIG. 8 is a top, front and right side perspective view thereof;
and,
FIG. 9 is a top, rear and right side perspective view thereof.

1 Claim, 9 Drawing Sheets

(56) **References Cited**
U.S. PATENT DOCUMENTS
D471,495 S * 3/2003 Hoyle, Jr. D12/173
D510,305 S * 10/2005 Chiang D12/173
D594,393 S * 6/2009 Pfeiffer D12/190
D606,468 S * 12/2009 Varga D12/181
D678,152 S * 3/2013 Behmer D12/173
D748,026 S * 1/2016 Curie D12/190
D756,273 S * 5/2016 Platto D12/163
D758,257 S * 6/2016 Platto D12/163
D801,897 S * 11/2017 Buck D12/190



(56)

References Cited

OTHER PUBLICATIONS

Unknown, 2021 Bronco Interior Spied Undisguised!!, Feb. 25, 2020
<https://www.bronco6g.com/forum/threads/2021-bronco-interior-spied-undisguised.1096/>.

Arrian Padeanu, 2021 Ford Bronco Gets Five Adventure Concepts To Mark SUVs Birthday, Aug. 13, 2020 <https://www.motor1.com/news/438885/2021-ford-bronco-adventure-concepts>.

* cited by examiner

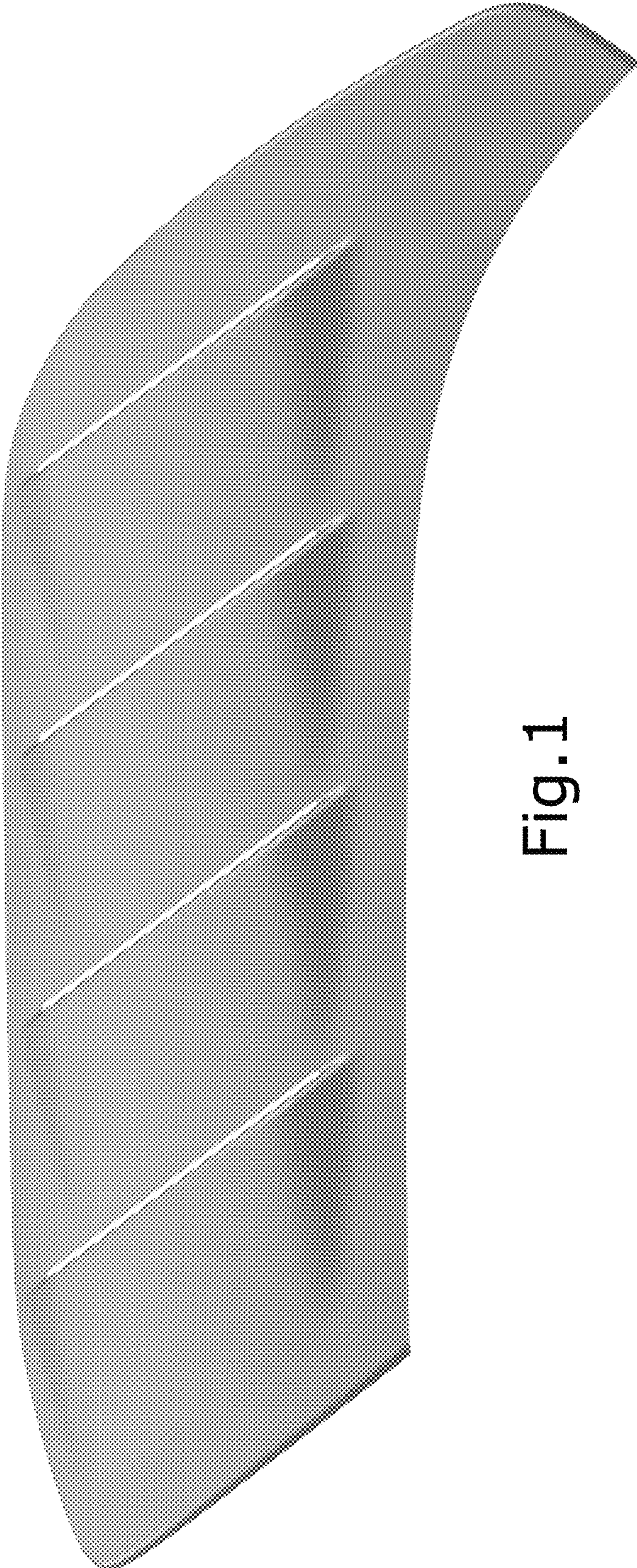


Fig. 1

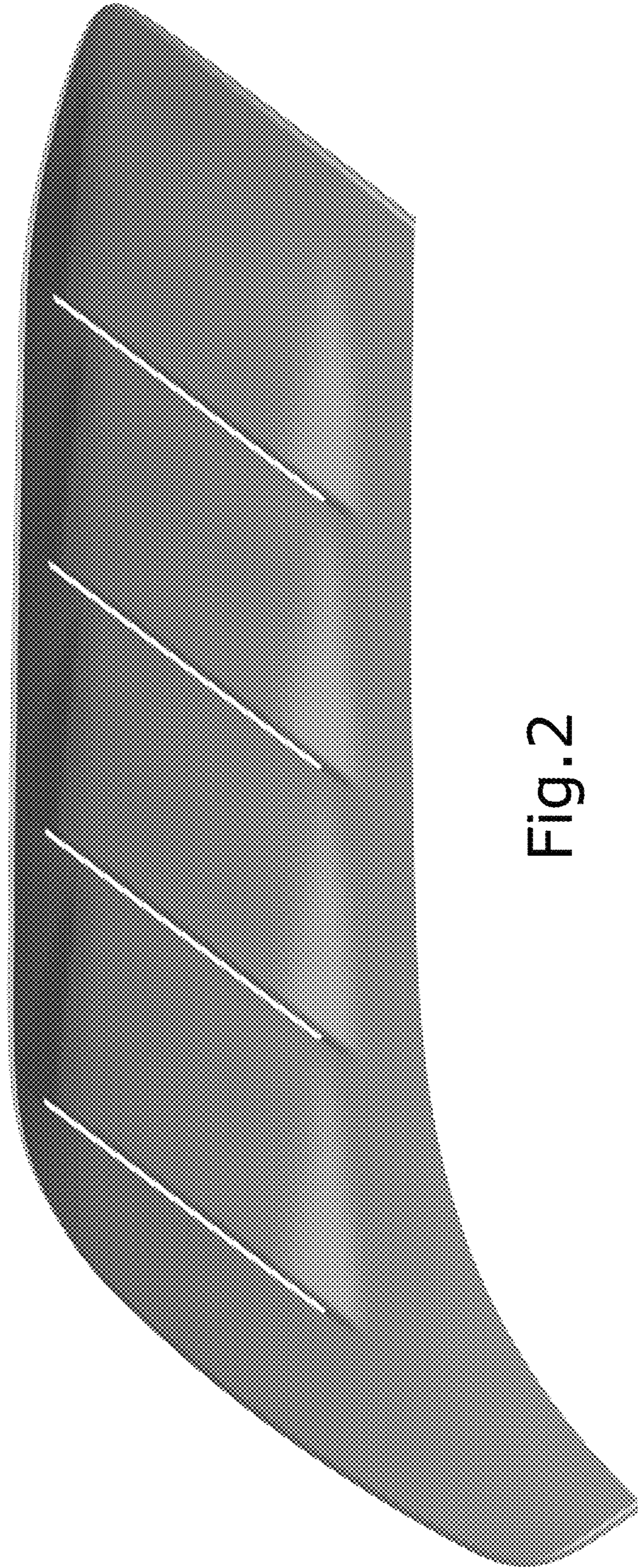


Fig.2

Fig. 3





Fig. 4

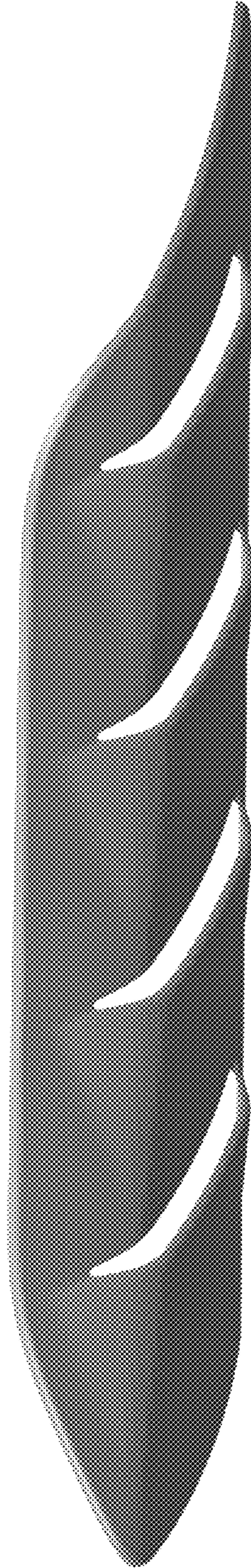


Fig. 5

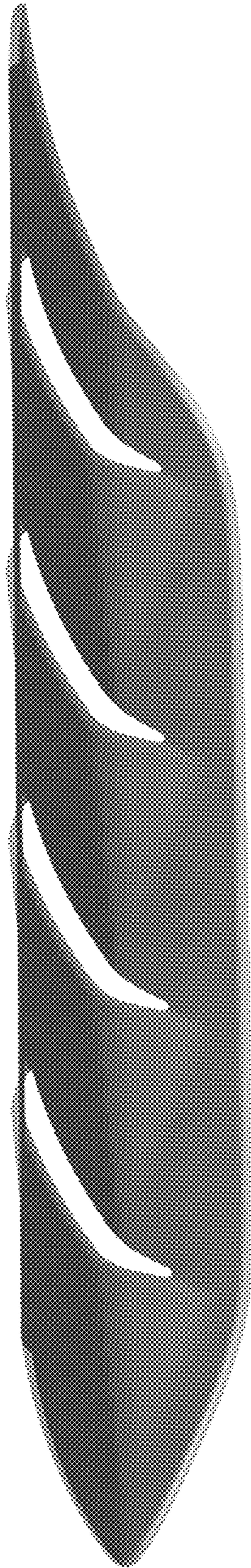


Fig. 6

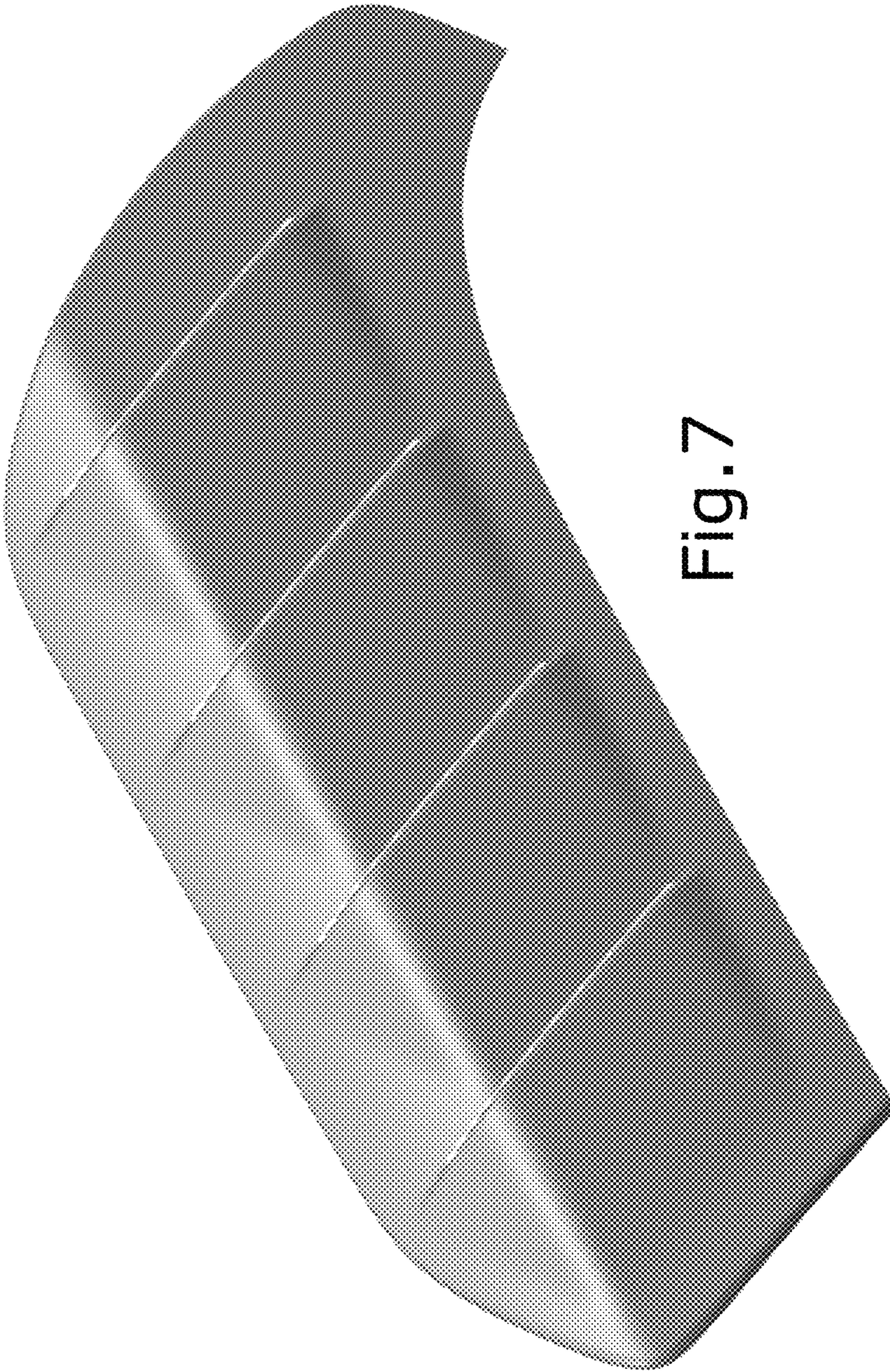


Fig. 7

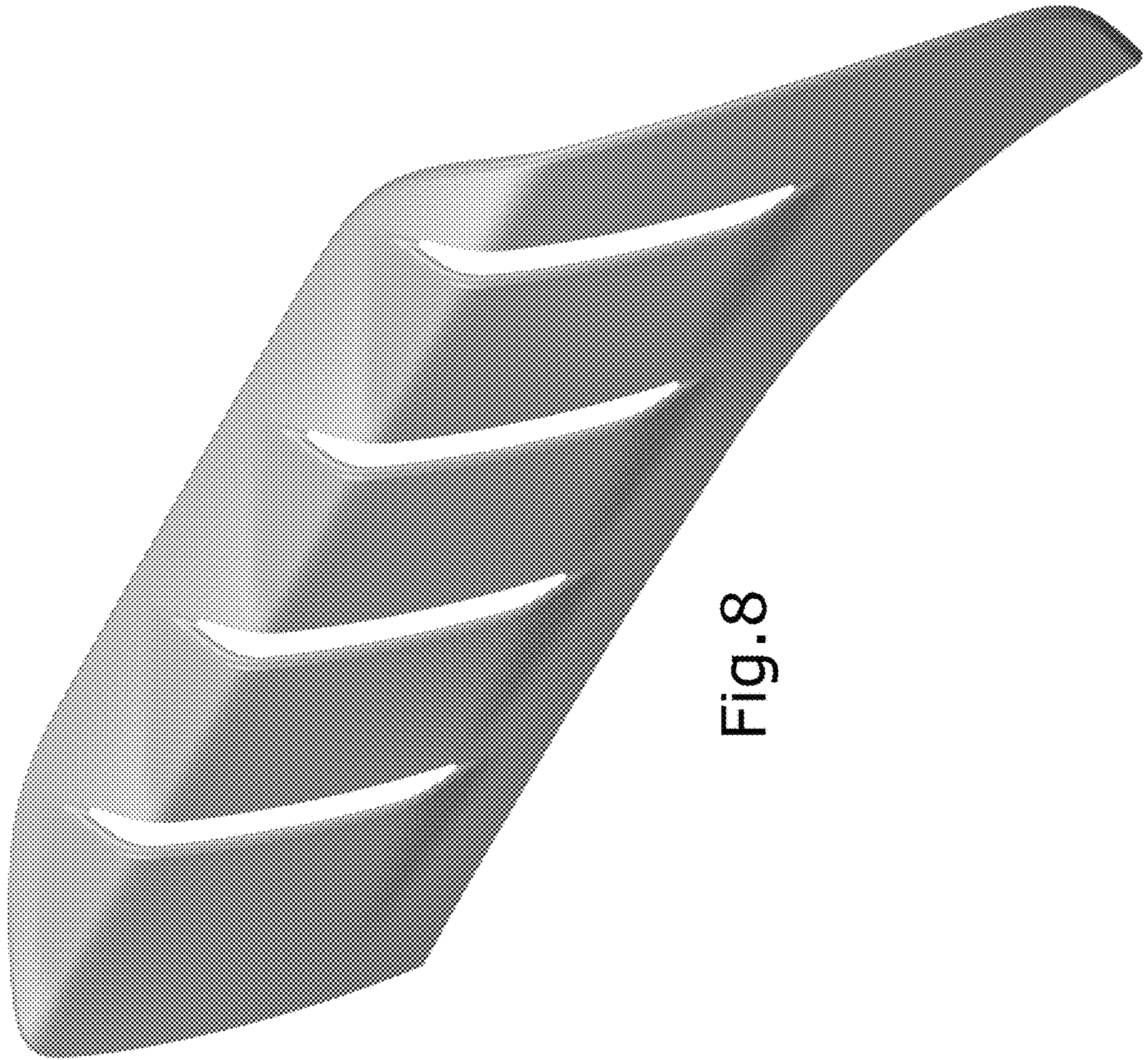


Fig. 8

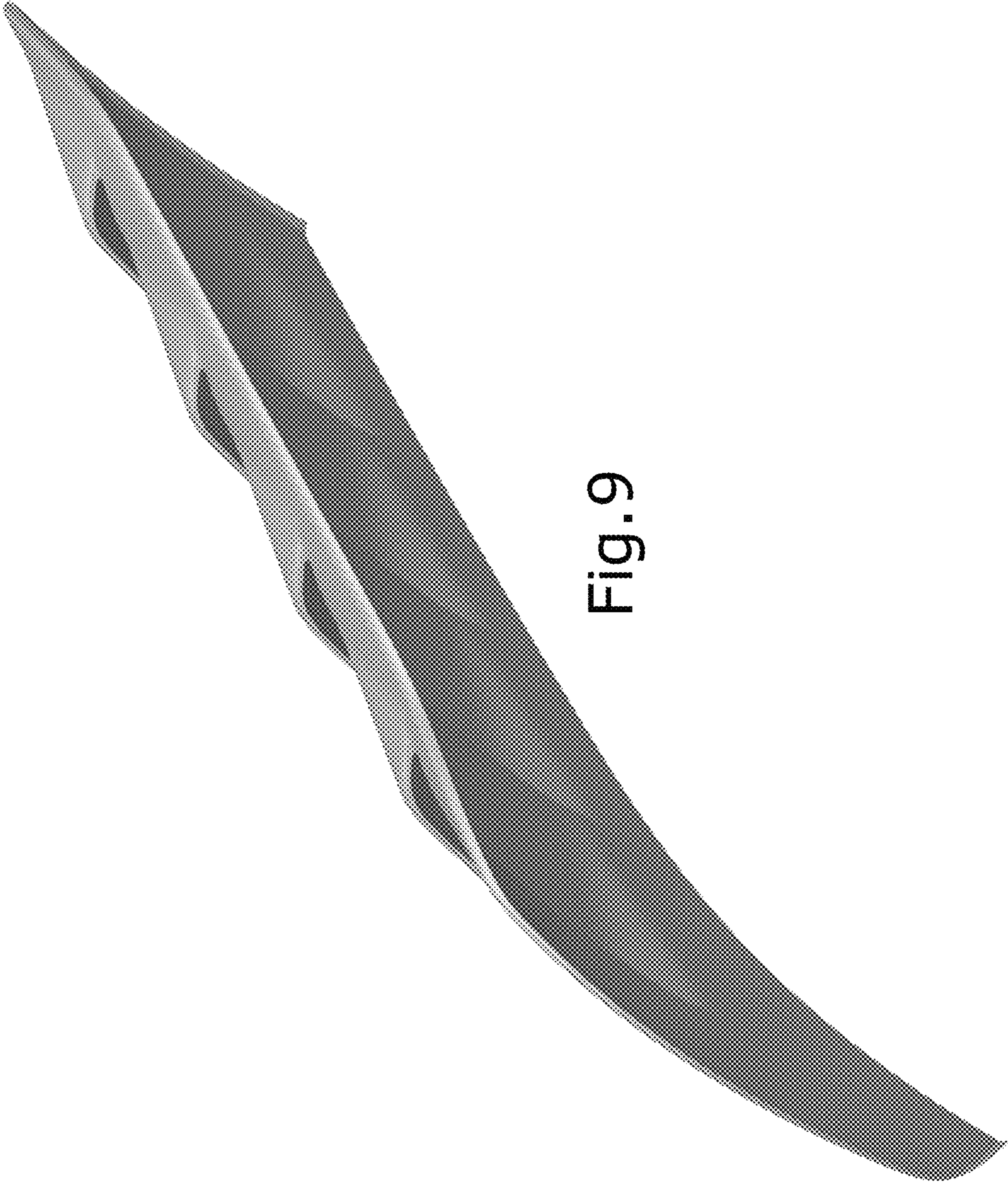


Fig. 9