



US00D940025S

(12) **United States Design Patent**
Kaoud et al.

(10) **Patent No.:** **US D940,025 S**
(45) **Date of Patent:** **** Jan. 4, 2022**

- (54) **VEHICLE FENDER**
- (71) Applicant: **Ford Global Technologies, LLC**,
Dearborn, MI (US)
- (72) Inventors: **Ehab N. Kaoud**, Livonia, MI (US);
William K. Moore, West Bloomfield,
MI (US); **David Root**, Wyandotte, MI
(US)
- (73) Assignee: **Ford Global Technologies, LLC**,
Dearborn, MI (US)
- (**) Term: **15 Years**
- (21) Appl. No.: **29/723,969**
- (22) Filed: **Feb. 12, 2020**
- (51) **LOC (13) Cl.** **12-16**
- (52) **U.S. Cl.**
USPC **D12/184**
- (58) **Field of Classification Search**
USPC ... D12/1, 14, 82, 85, 86, 88, 89, 90, 91, 92,
D12/93, 96, 97, 98, 99, 164, 167, 169,
D12/170, 171, 172, 173, 181, 184, 185,
D12/190, 192, 196, 400; D21/533, 548,
D21/552, 561
CPC B62D 25/02; B62D 25/04; B62D 25/16;
B62D 25/18; B62D 25/161; B62D
25/168; B62D 25/182; B60J 5/00; B60J
5/02; B60J 5/04; B60J 5/10; B60R 19/00
See application file for complete search history.

- D489,656 S * 5/2004 Kneefel D12/184
- D493,393 S * 7/2004 Kneefel D12/184
- D503,912 S * 4/2005 Metros D12/184
- D509,778 S * 9/2005 Minami D12/184
- D526,257 S * 8/2006 Konaka D12/184
- D550,135 S * 9/2007 McChesney D12/184
- D561,667 S * 2/2008 Platto D12/184
- D562,201 S * 2/2008 Gresens D12/184
- D562,202 S * 2/2008 Tant D12/184
- D562,747 S * 2/2008 Golden D12/184

(Continued)

OTHER PUBLICATIONS

2021 F-150, Published date unavailable [online], [retrieved on May 16, 2021]. Retrieved from the Internet: <https://www.ford.com/trucks/f150/gallery/#2021-f150-gallery-image-ae8884281674998e16ba34971543c5ef-ai> (Year: 2021).*

(Continued)

Primary Examiner — Christian P. McLean
Assistant Examiner — Adam C Mager

(57) **CLAIM**

The ornamental design for a vehicle fender, as shown and described.

DESCRIPTION

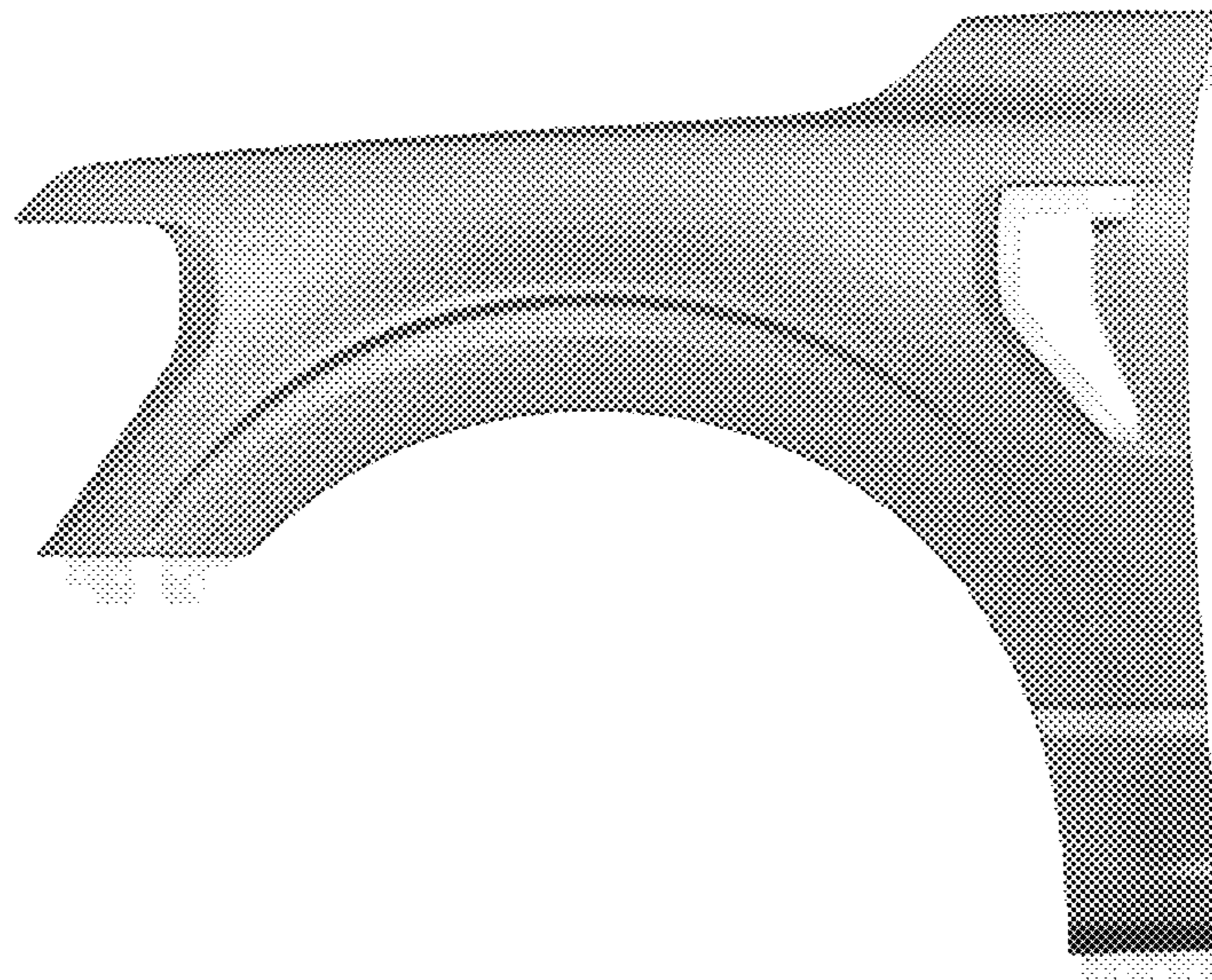
FIG. 1 is a front elevational view of a vehicle fender, showing our new design;
FIG. 2 is a left side elevational view thereof;
FIG. 3 is a right side elevational view thereof;
FIG. 4 is a top plan view thereof;
FIG. 5 is a bottom plan view thereof;
FIG. 6 is a top, front and right side perspective view thereof; and,
FIG. 7 is a top, rear and left side perspective view thereof. The claimed design is indicated by the relatively dark portions in the figures. The de-emphasized and relatively light portions form no part of the claimed design.

1 Claim, 7 Drawing Sheets

(56) **References Cited**

U.S. PATENT DOCUMENTS

- D287,844 S * 1/1987 Matsumoto D12/184
- D287,845 S * 1/1987 Matsumoto D12/184
- D288,195 S * 2/1987 Envall D12/184
- D294,818 S * 3/1988 Kawatsu D12/184
- D299,019 S * 12/1988 McKinnon D12/184
- D317,586 S * 6/1991 Yoshinao D12/184



(56)

References Cited

U.S. PATENT DOCUMENTS

D572,182 S * 7/2008 Deane D12/184
 D583,736 S * 12/2008 Schiavone D12/184
 D586,712 S * 2/2009 Opfer D12/184
 D601,934 S * 10/2009 Ellis D12/184
 D603,772 S 11/2009 Golden
 D614,100 S * 4/2010 Williams D12/184
 D626,045 S * 10/2010 Cogswell D12/181
 D629,344 S * 12/2010 Komuro D12/181
 D672,295 S * 12/2012 Yamada D12/184
 D680,045 S * 4/2013 Hamilton D12/184
 D684,907 S * 6/2013 Abe D12/184
 D693,748 S * 11/2013 Mackay D12/184
 D716,709 S * 11/2014 Thole D12/184
 D721,314 S * 1/2015 Platto D12/184
 D749,027 S * 2/2016 McMahan D12/184
 D756,869 S * 5/2016 McMahan D12/184
 D758,935 S * 6/2016 Platto D12/184
 D762,538 S * 8/2016 Platto D12/184
 D769,162 S * 10/2016 Rodriguez D12/184
 D803,119 S * 11/2017 Beermann D12/184
 D818,406 S * 5/2018 McMahan D12/184
 D820,751 S * 6/2018 Luk D12/184

D821,938 S * 7/2018 Bucher D12/169
 D826,811 S * 8/2018 Lim D12/184
 D828,255 S * 9/2018 Kozub D12/184
 D828,256 S * 9/2018 Zipfel D12/184
 D855,520 S * 8/2019 Parkinson D12/184
 D864,812 S * 10/2019 Dewitt D12/184
 D864,813 S * 10/2019 Dewitt D12/184
 D873,740 S * 1/2020 Zipfel D12/184
 D874,365 S * 2/2020 Woodhouse D12/181
 D880,384 S * 4/2020 Grand D12/184
 D883,155 S * 5/2020 Izard D12/184
 D890,658 S * 7/2020 Ninov D12/184
 D890,660 S * 7/2020 Ninov D12/184
 D898,641 S * 10/2020 Wiltshire D12/184
 2016/0059901 A1 * 3/2016 Joseph B62D 25/165
 296/198

OTHER PUBLICATIONS

Andrew Wendler, The 2021 Ford F-150, Spied Testing, Looks Pretty Evolutionary, May 8, 2019 <https://www.caranddriver.com/news/a27409108/2021-ford-f-150-pickup-spied/>.

* cited by examiner

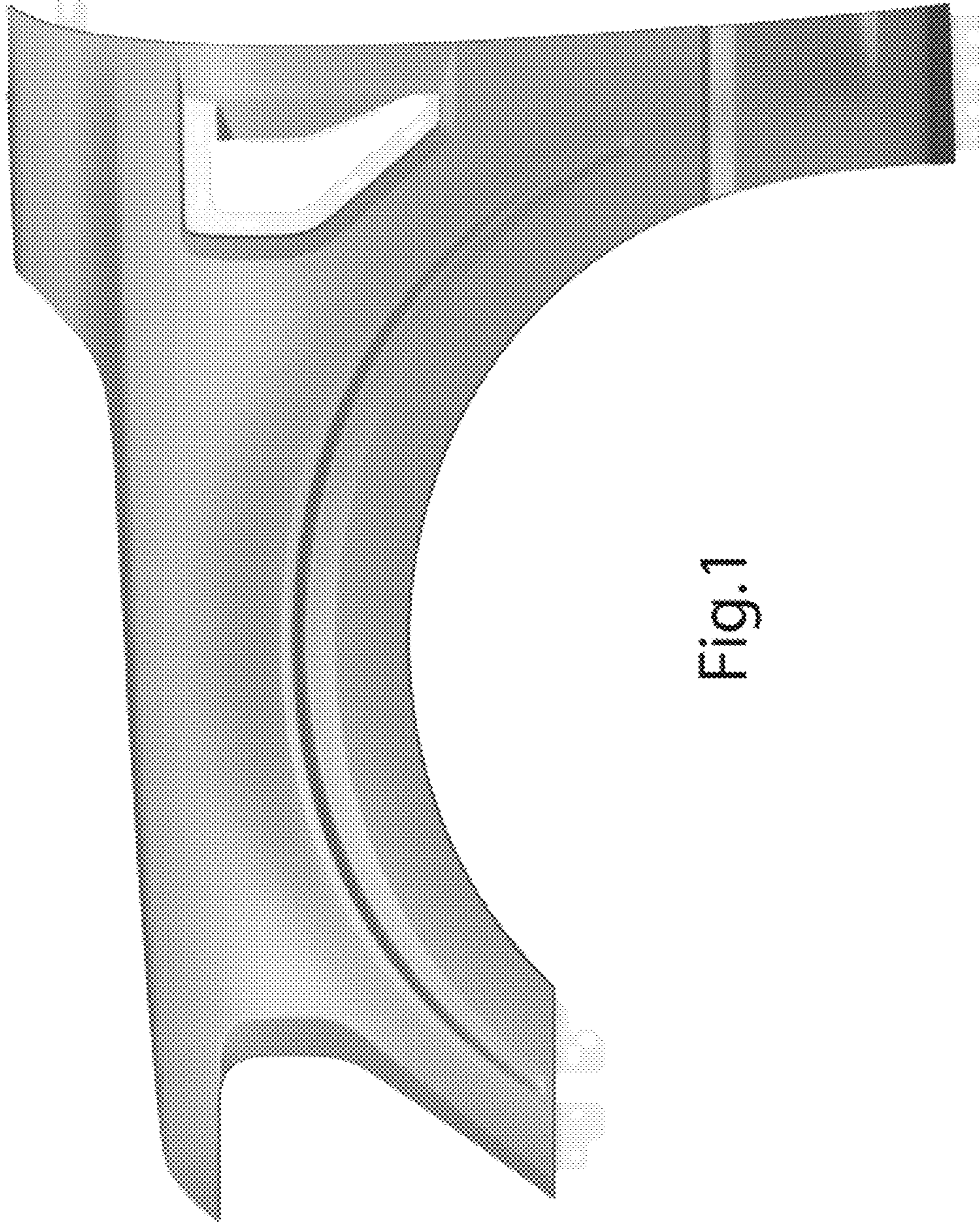


Fig.1

Fig. 2



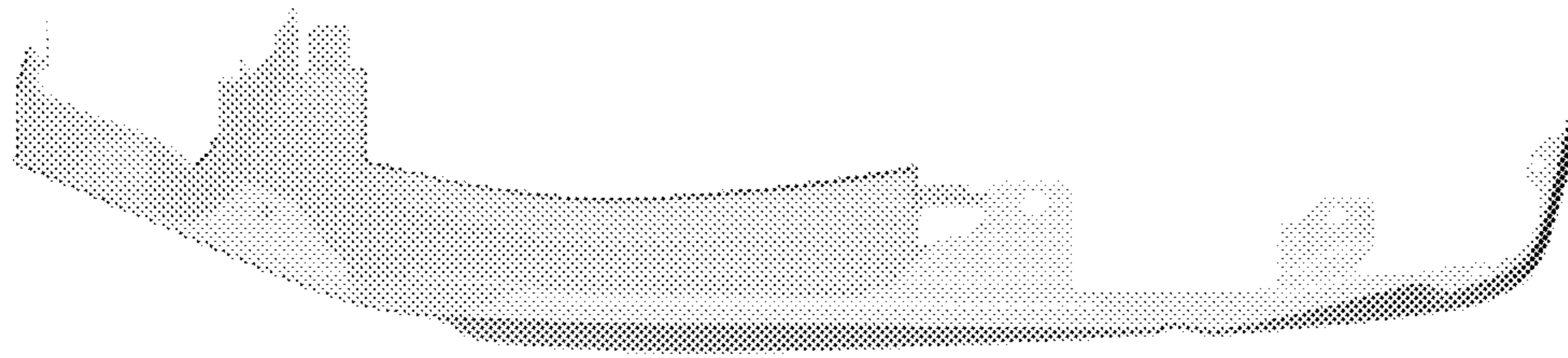


Fig. 3

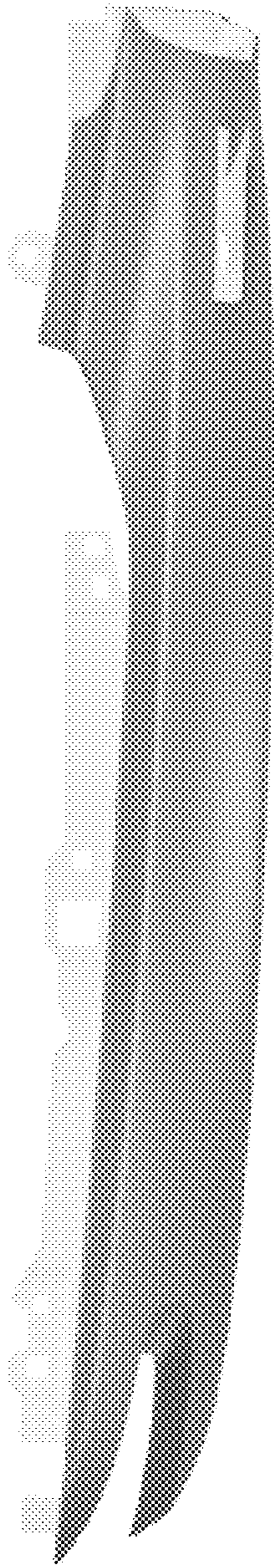


Fig.4

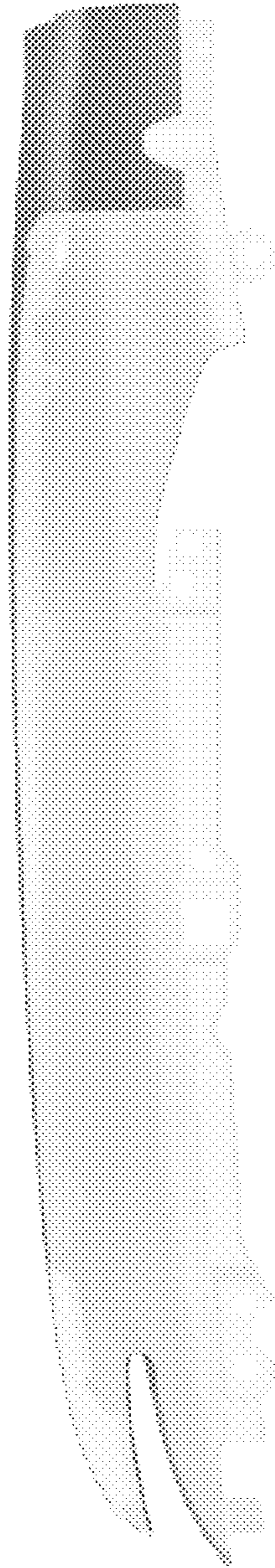


Fig. 5

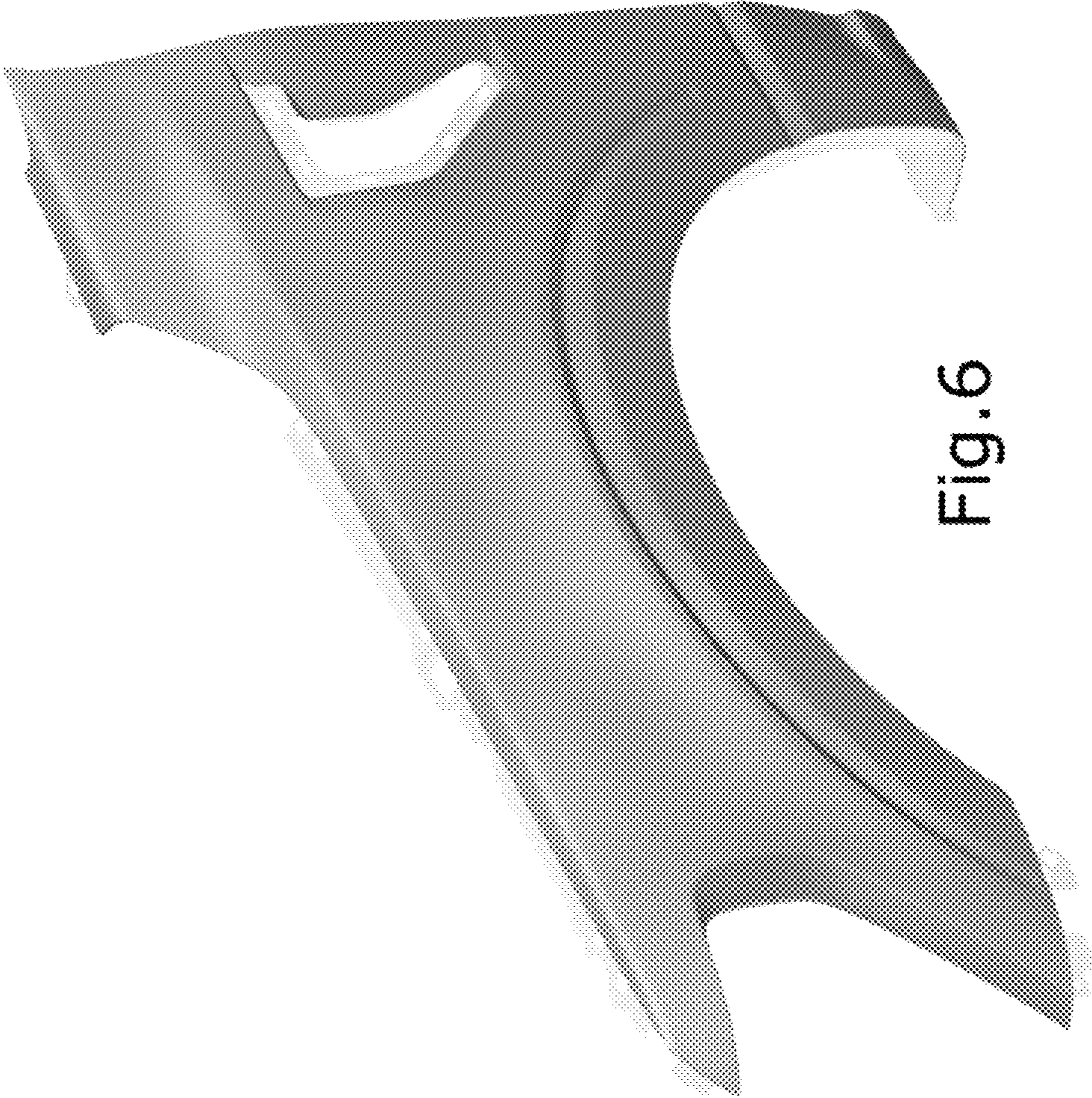


Fig. 6

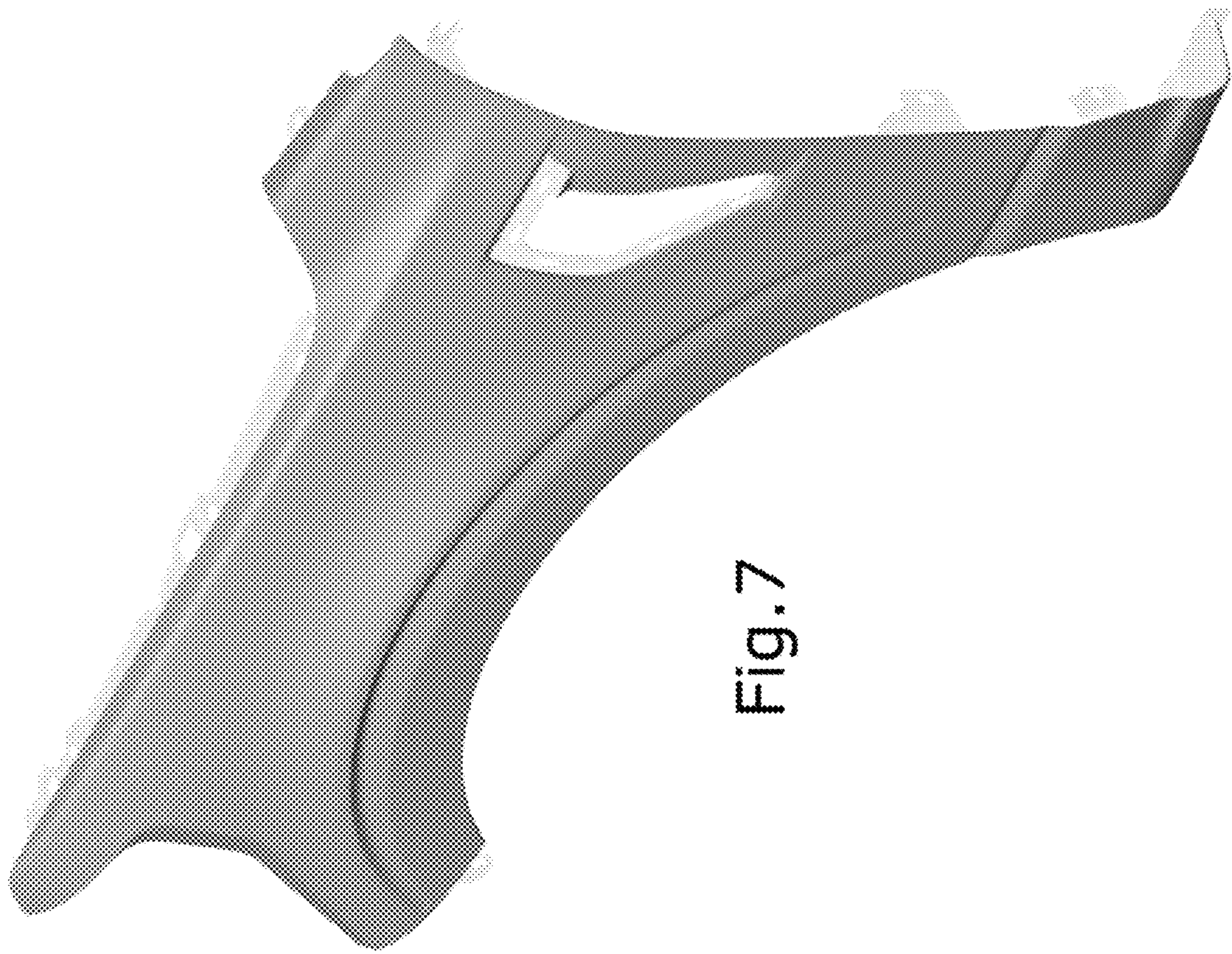


Fig. 7