



US00D940016S

(12) **United States Design Patent** (10) **Patent No.:** **US D940,016 S**  
**Piaskowski et al.** (45) **Date of Patent:** **\*\* Jan. 4, 2022**

(54) **VEHICLE FRONT UPPER BUMPER COVER**

(71) Applicant: **Ford Global Technologies, LLC**,  
Dearborn, MI (US)  
(72) Inventors: **Joel Piaskowski**, Birmingham, MI  
(US); **Gordon Platto**, Troy, MI (US);  
**Eric Stoddard**, Birmingham, MI (US);  
**Anthony Colard**, Dearborn, MI (US);  
**Christopher Stevens**, Detroit, MI (US);  
**Nima Nourian**, Bloomfield, MI (US)

(73) Assignee: **Ford Global Technologies, LLC**,  
Dearborn, MI (US)

(\*\*) Term: **15 Years**

(21) Appl. No.: **29/730,067**

(22) Filed: **Apr. 1, 2020**

(51) **LOC (13) Cl.** ..... **12-16**

(52) **U.S. Cl.**  
USPC ..... **D12/169**

(58) **Field of Classification Search**  
USPC ..... D12/82, 86, 88, 89, 90, 91, 92, 93, 96,  
D12/163, 164, 165, 166, 167, 169, 170,  
D12/171, 172, 173, 181, 184, 185, 190,  
D12/192, 196, 216, 223, 400; D21/533,  
D21/548, 552, 561  
CPC ..... B60R 19/00; B60R 19/02; B60R 19/04;  
B60R 19/16; B60R 19/18; B60R 19/24;  
B60R 19/26; B60R 19/44; B60R 19/48;  
B60R 19/52; B60R 19/56; B60R  
2019/007; B60R 2019/522; B60R  
2019/527; B60R 2019/1886; B62D 25/02;  
B62D 25/08; B62D 25/16  
See application file for complete search history.

(56) **References Cited**

**U.S. PATENT DOCUMENTS**

D498,444 S 11/2004 Mays et al.  
D501,162 S 1/2005 Mays et al.

D533,817 S 12/2006 Gaffka et al.  
D579,386 S 10/2008 Saridakis et al.  
D586,709 S 2/2009 Saridakis et al.  
D656,871 S \* 4/2012 Fetherston ..... D12/169  
D677,200 S \* 3/2013 Hamilton ..... D12/169  
D678,141 S 3/2013 Behmer et al.  
D680,922 S \* 4/2013 Jara ..... D12/169  
D708,998 S \* 7/2014 Mays ..... D12/169  
D718,677 S \* 12/2014 Whang ..... D12/169  
D749,999 S \* 2/2016 Curic ..... D12/169

(Continued)

**OTHER PUBLICATIONS**

2021 Mustang Mach 1, Published date unavailable [online], [retrieved on Aug. 12, 2021]. Retrieved from the Internet: <https://shop.ford.com/build/mustang/#/config/Config%5B%7CFord%7CMustang%7C2021%7C1%7C1.%7C700A.P8R..NE...PRE.MC1.~YZKAA.MAC.COU.%5D> (Year: 2021).\*

*Primary Examiner* — Christian P. McLean

*Assistant Examiner* — Adam C Mager

(74) *Attorney, Agent, or Firm* — Michael Spenner

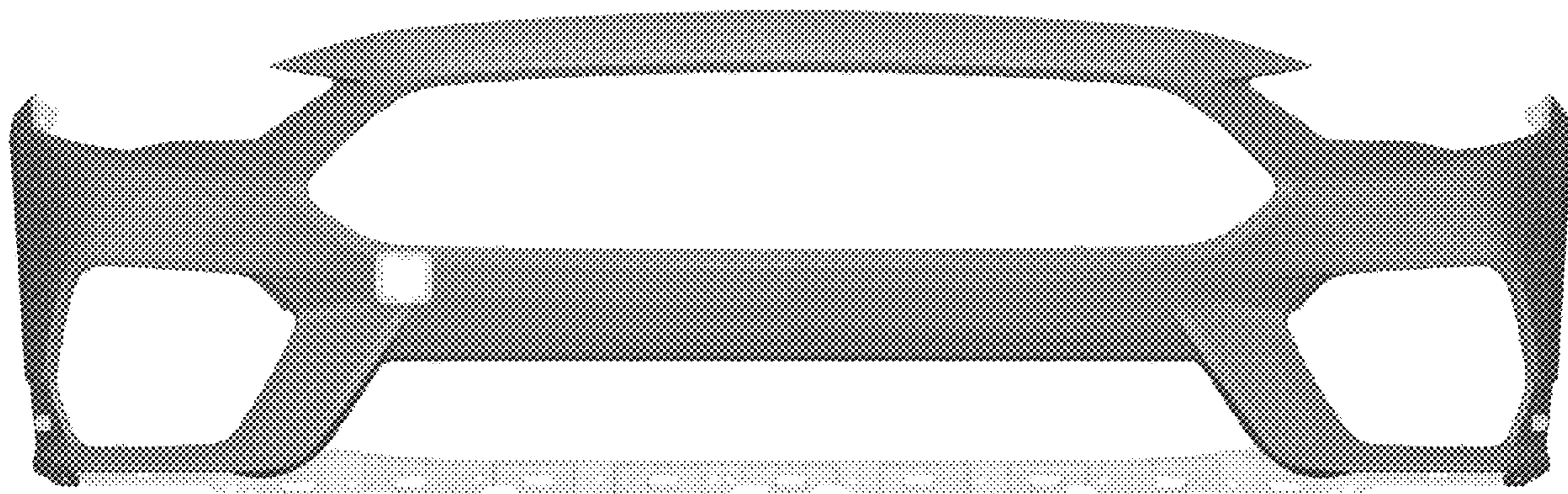
(57) **CLAIM**

The ornamental design for a vehicle front upper bumper cover, as shown and described.

**DESCRIPTION**

FIG. 1 is a front elevational view of a vehicle front upper bumper cover, showing our new design;  
FIG. 2 is a left side elevational view thereof;  
FIG. 3 is a right side elevational view thereof;  
FIG. 4 is a top plan view thereof;  
FIG. 5 is a bottom plan view thereof;  
FIG. 6 is a top, front and left side perspective view thereof;  
and,  
FIG. 7 is a bottom, front and left side perspective view thereof.  
The claimed design is indicated by the relatively dark portions in the figures. The de-emphasized and relatively light portions form no part of the claimed design.

**1 Claim, 7 Drawing Sheets**



(56)

## References Cited

## U.S. PATENT DOCUMENTS

D770,337	S	*	11/2016	Wolff	.....	D12/169
D770,950	S	*	11/2016	Bucher	.....	D12/169
D773,348	S	*	12/2016	Munakata	.....	D12/169
D773,350	S	*	12/2016	Lee	.....	D12/169
D786,748	S	*	5/2017	Hellwig	.....	D12/169
D789,846	S	*	6/2017	Curic	.....	D12/169
D789,850	S	*	6/2017	Svensson	.....	D12/169
D789,851	S	*	6/2017	Svensson	.....	D12/169
D800,035	S	*	10/2017	Takamatsu	.....	D12/169
D814,369	S	*	4/2018	Loeb	.....	D12/169
D816,566	S	*	5/2018	Loeb	.....	D12/169
D819,526	S	*	6/2018	Behmer	.....	D12/169
D827,515	S	*	9/2018	Whang	.....	D12/169
D829,617	S	*	10/2018	Takamatsu	.....	D12/169
D829,618	S	*	10/2018	Kamahara	.....	D12/169
D830,250	S	*	10/2018	Tomita	.....	D12/169
D840,295	S	*	2/2019	Peat	.....	D12/169
D850,990	S	*	6/2019	Metros	.....	D12/169
D850,996	S	*	6/2019	Betancourt	.....	D12/169
D850,997	S	*	6/2019	Messale	.....	D12/169
D870,610	S	*	12/2019	Tonello	.....	D12/169
D870,612	S	*	12/2019	Tonello	.....	D12/169
D871,982	S	*	1/2020	Tonello	.....	D12/169
D877,668	S	*	3/2020	Bucher	.....	D12/169
D883,152	S	*	5/2020	Metros	.....	D12/169
D889,330	S	*	7/2020	Patel	.....	D12/169
D899,978	S	*	10/2020	Metros	.....	D12/169
D909,932	S	*	2/2021	Tanaka	.....	D12/169
D909,933	S	*	2/2021	Tanaka	.....	D12/169
D911,231	S	*	2/2021	Bucher	.....	D12/169
D915,958	S	*	4/2021	Lee	.....	D12/169
D919,507	S	*	5/2021	Piaskowski	.....	D12/169
D920,190	S	*	5/2021	Piaskowski	.....	D12/169
D921,545	S	*	6/2021	Fuchino	.....	D12/169

\* cited by examiner

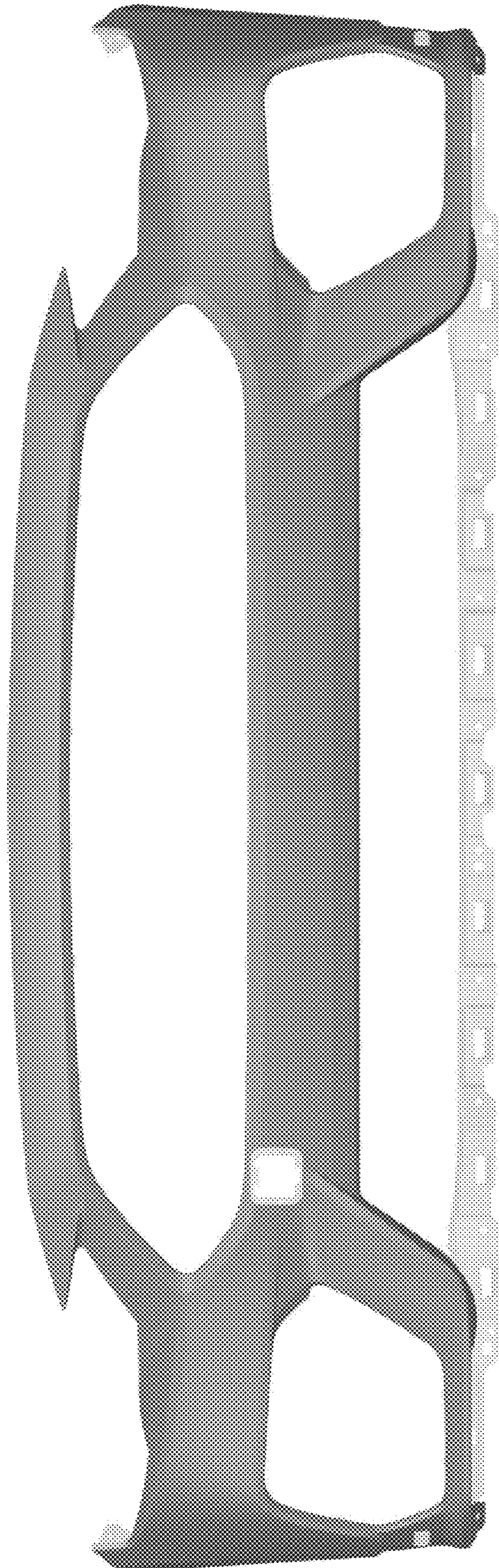


Fig.1

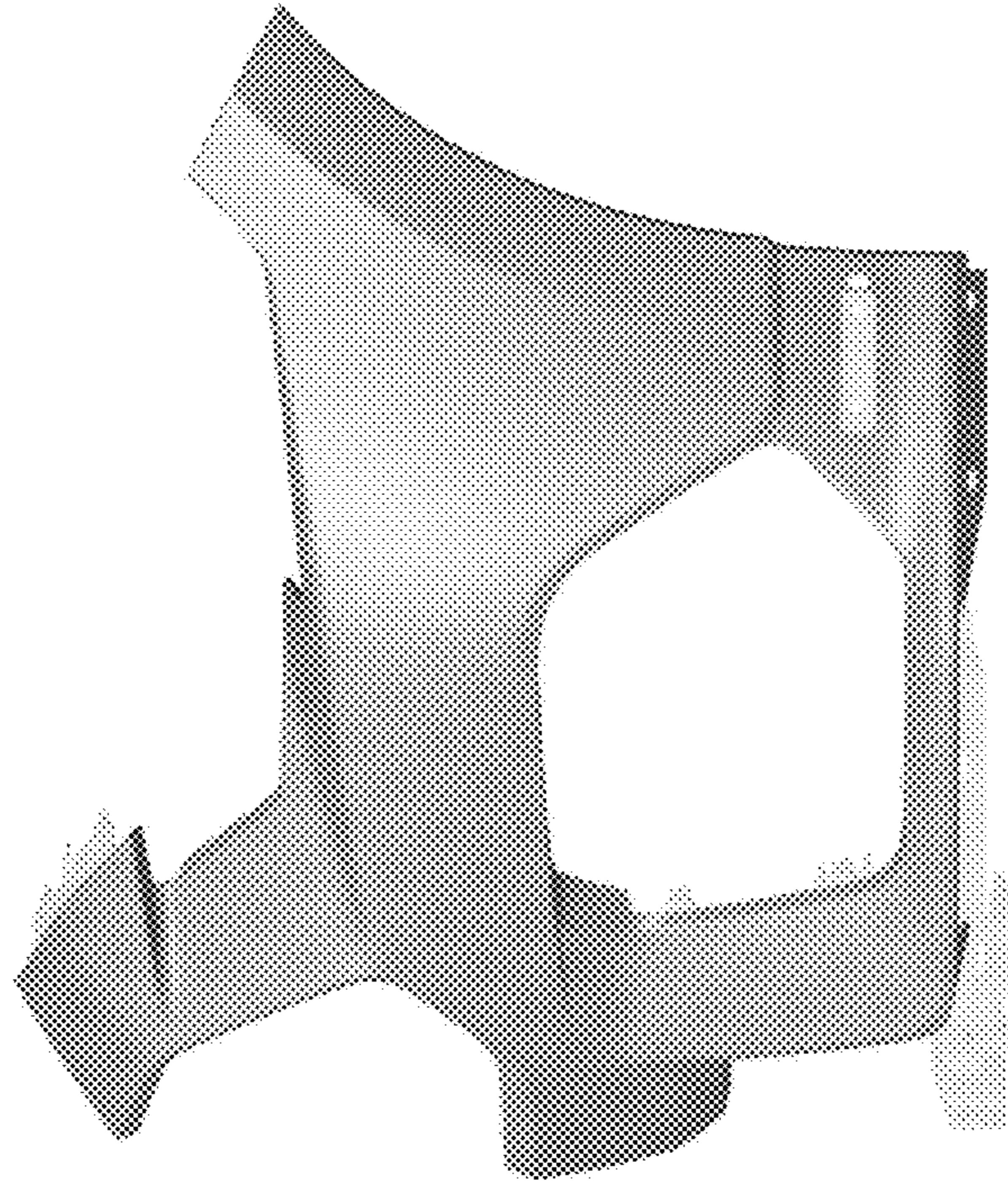


Fig. 2

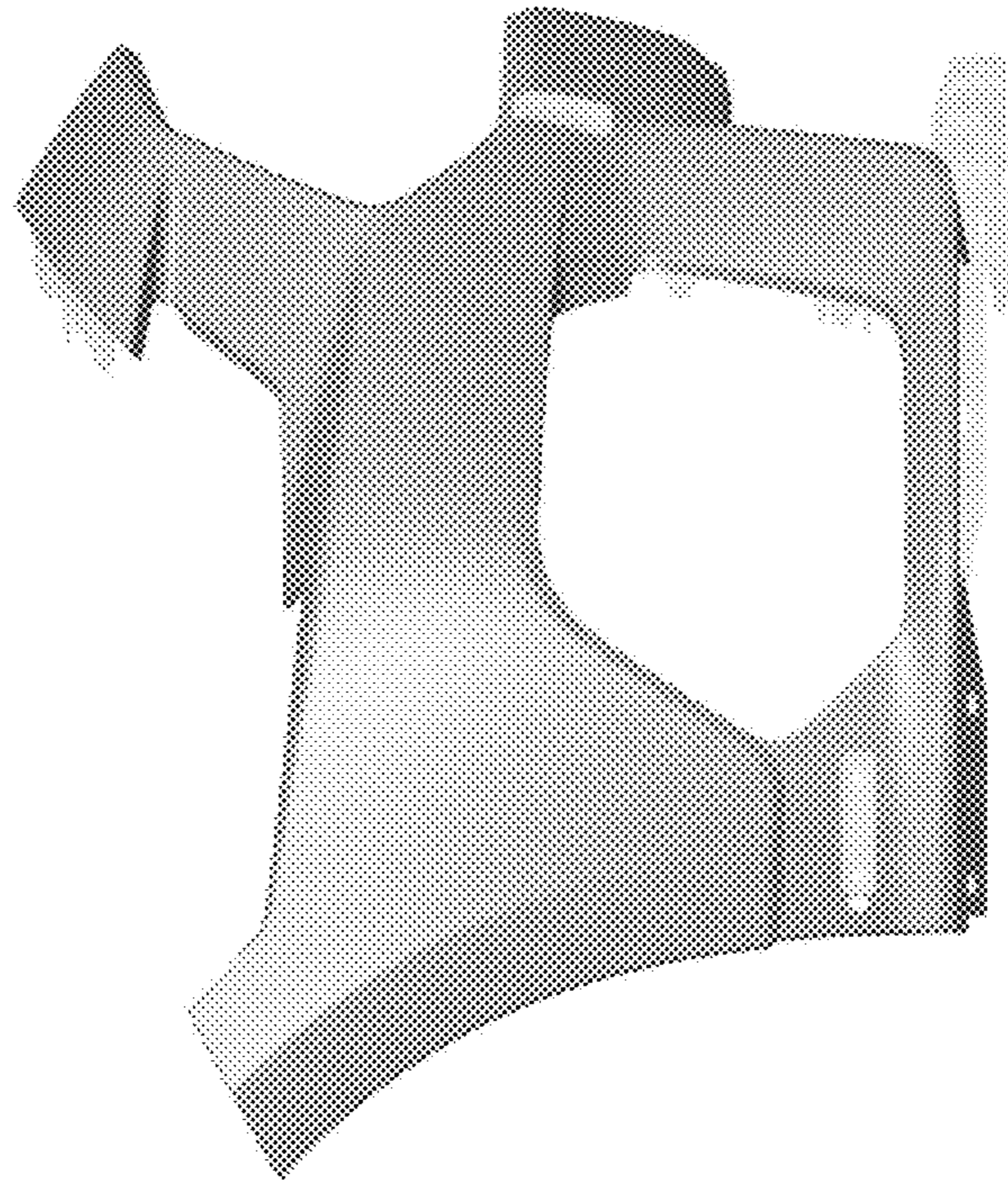


Fig. 3

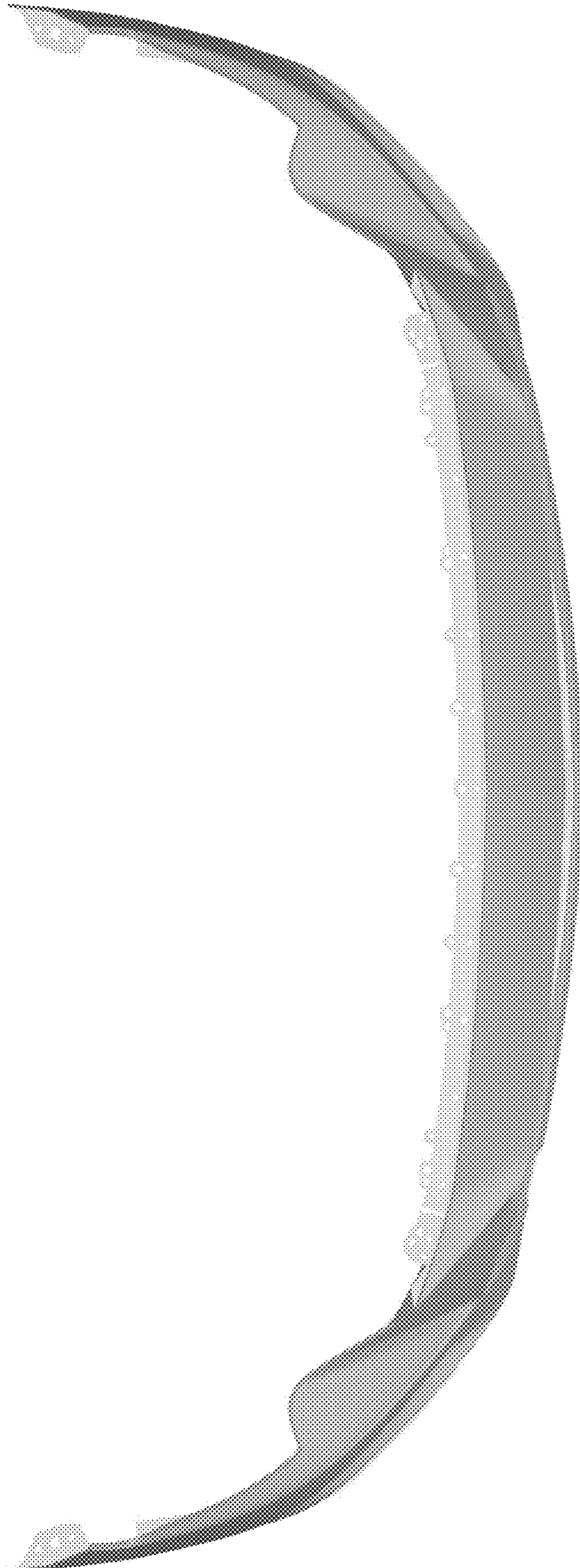


Fig.4

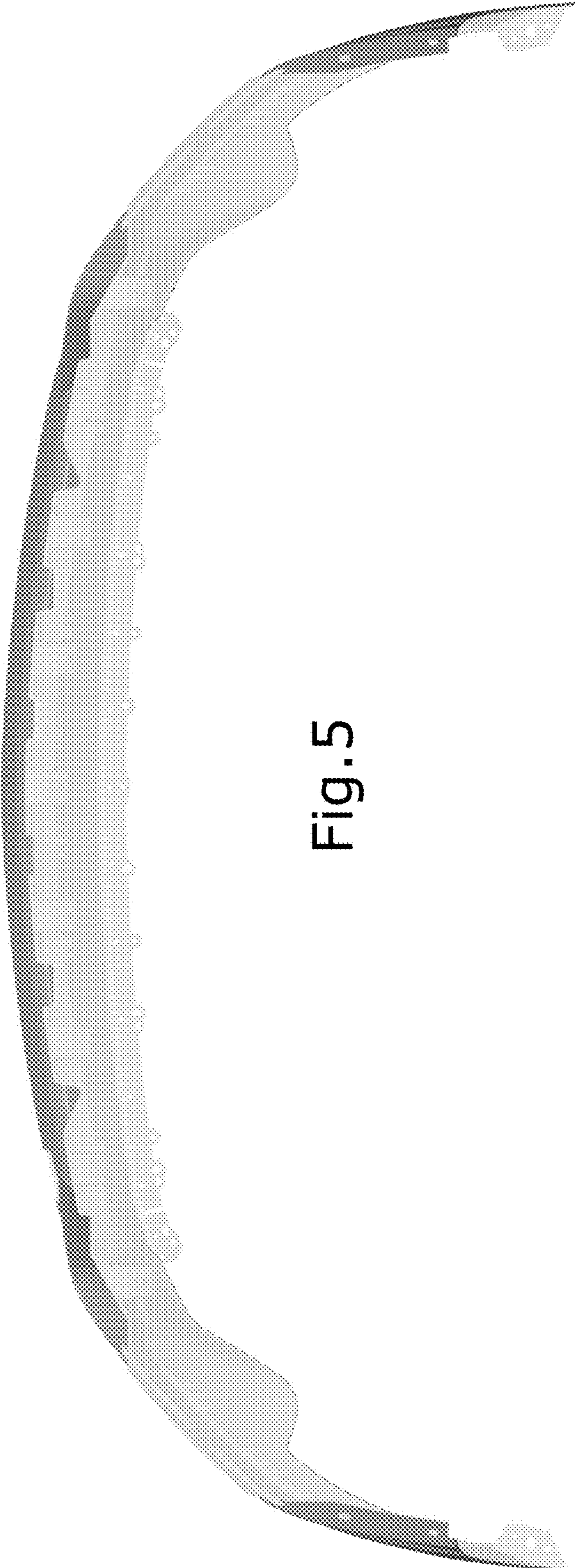


Fig. 5

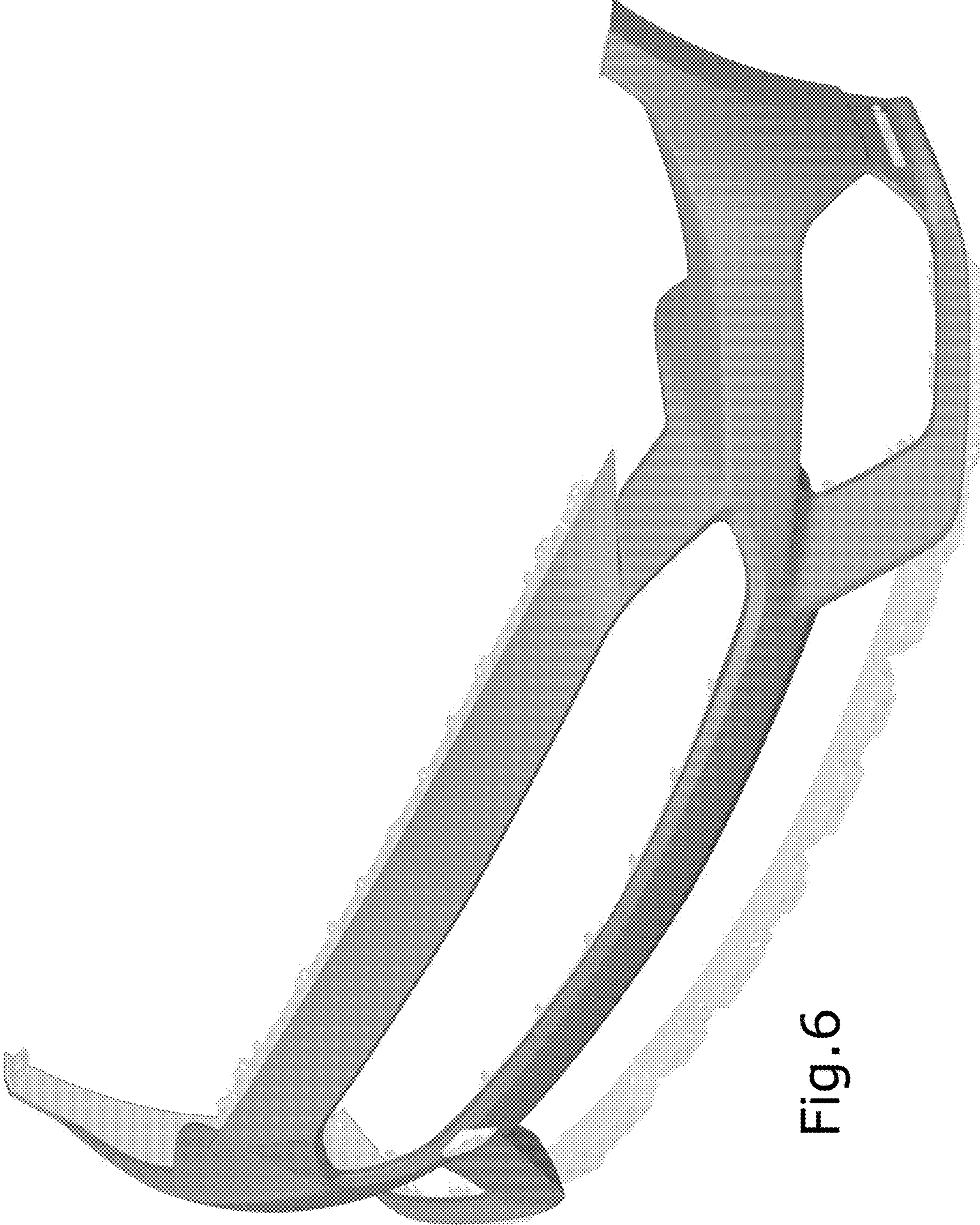


Fig. 6



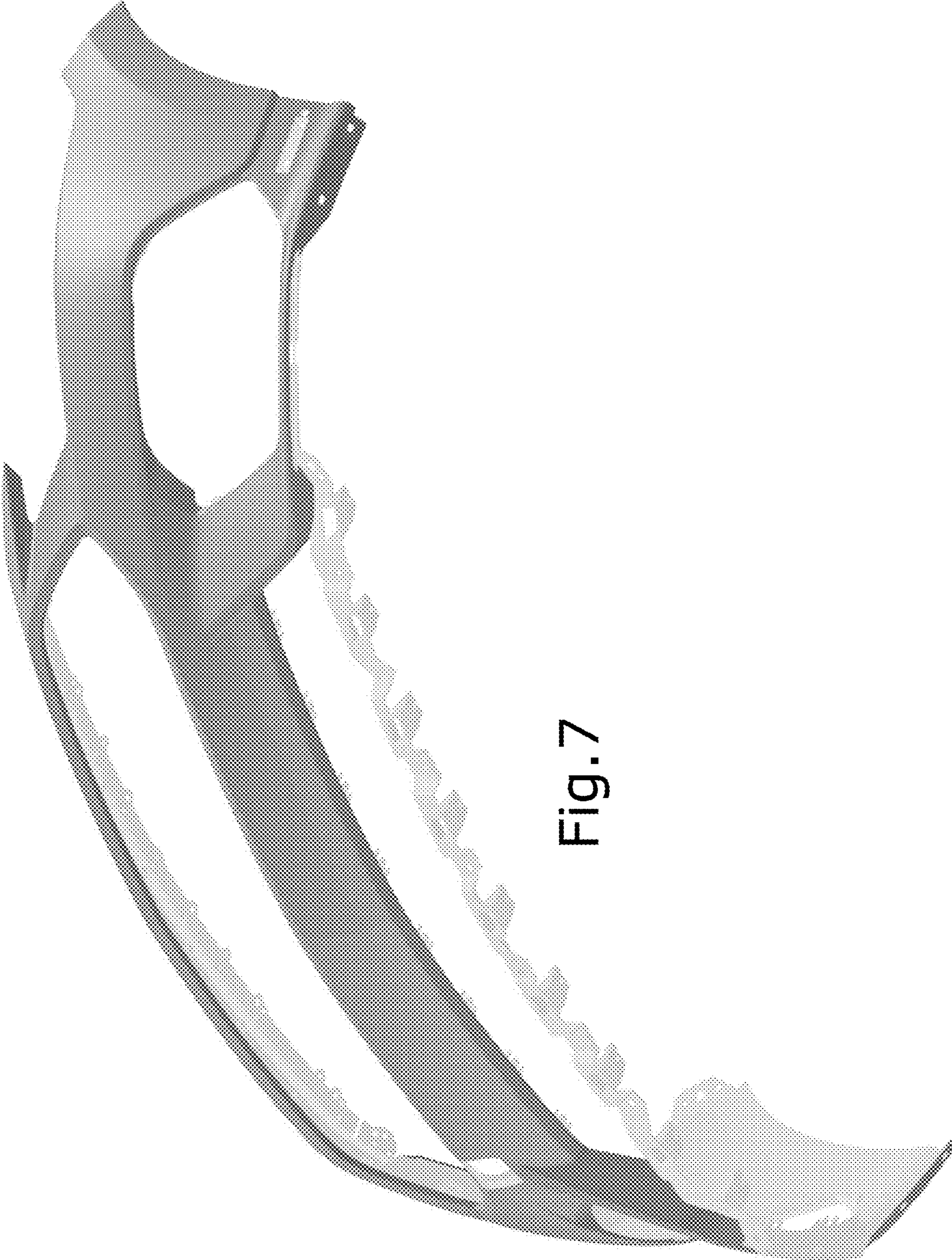


Fig. 7