



US00D940015S

(12) **United States Design Patent**
Sprowl et al.

(10) **Patent No.:** **US D940,015 S**
(45) **Date of Patent:** **** Jan. 4, 2022**

(54) **MODEL VEHICLE BUMPER**

FOREIGN PATENT DOCUMENTS

(71) Applicant: **TRAXXAS, LP**, McKinney, TX (US)

TW D147600 S 6/2012
TW D154920 S 7/2013

(72) Inventors: **Jory Sprowl**, Honey Grove, TX (US);
Jonathan Scott Wood, Frisco, TX
(US); **Otto Karl Allmendinger**,
Rowlett, TX (US); **Kent Poteet**, Lucas,
TX (US)

(Continued)

OTHER PUBLICATIONS

(73) Assignee: **TRAXXAS LP**, McKinney, TX (US)

Bull Bars. (Design—© Questel) orbit.com. [Online PDF compila-
tion of references] 16 pgs. Print Dates Range Oct. 8, 2019-Apr. 14,
2005 [Retrieved Jun. 4, 2021].*

(Continued)

(**) Term: **15 Years**

Primary Examiner — Manpreet S Matharu

Assistant Examiner — Suzanne E Tisdell

(21) Appl. No.: **29/705,346**

(74) *Attorney, Agent, or Firm* — Daryl R. Wright; Greg
Carr

(22) Filed: **Sep. 11, 2019**

(51) **LOC (13) Cl.** **12-16**

(52) **U.S. Cl.**

USPC **D12/169**

(58) **Field of Classification Search**

USPC D12/86, 90, 91, 92, 93, 163, 164, 166,
D12/167, 169, 171, 172, 173, 190, 196,
D12/216; D3/318; D21/171, 209, 401,
D21/424, 427, 433, 434, 544, 548, 552,
D21/555, 556, 561, 562, 563, 579

CPC B62D 25/00; B62D 25/06; B62D 25/08;
B62D 35/00; B62B 9/16; B60K 11/08;
B60R 19/02; B60R 19/04; B60R 19/52

See application file for complete search history.

(57) **CLAIM**

We claim the ornamental design for a model vehicle bumper,
as shown and described.

DESCRIPTION

FIG. 1 is upper, left, front perspective view of a model
vehicle bumper, showing our new design;
FIG. 2 is a front elevation view thereof;
FIG. 3 is a rear elevation view thereof;
FIG. 4 is a left side elevation view thereof;
FIG. 5 is a right side elevation view thereof;
FIG. 6 is an upper plan view thereof;
FIG. 7 is a lower plan view thereof; and,
FIG. 8 is an upper, left, front perspective environmental use
view of the model vehicle bumper.

In FIGS. 1-7, evenly-spaced broken lines in the drawings
show portions of the model vehicle bumper that form no part
of the claimed design. While in FIG. 8, portions of the model
vehicle bumper that form no part of the claimed design are
represented by an evenly spaced, long dashed broken line
pattern; whereas the environmental subject matter that also
forms no part of the claimed design are represented by an
evenly spaced, short dashed broken line pattern.

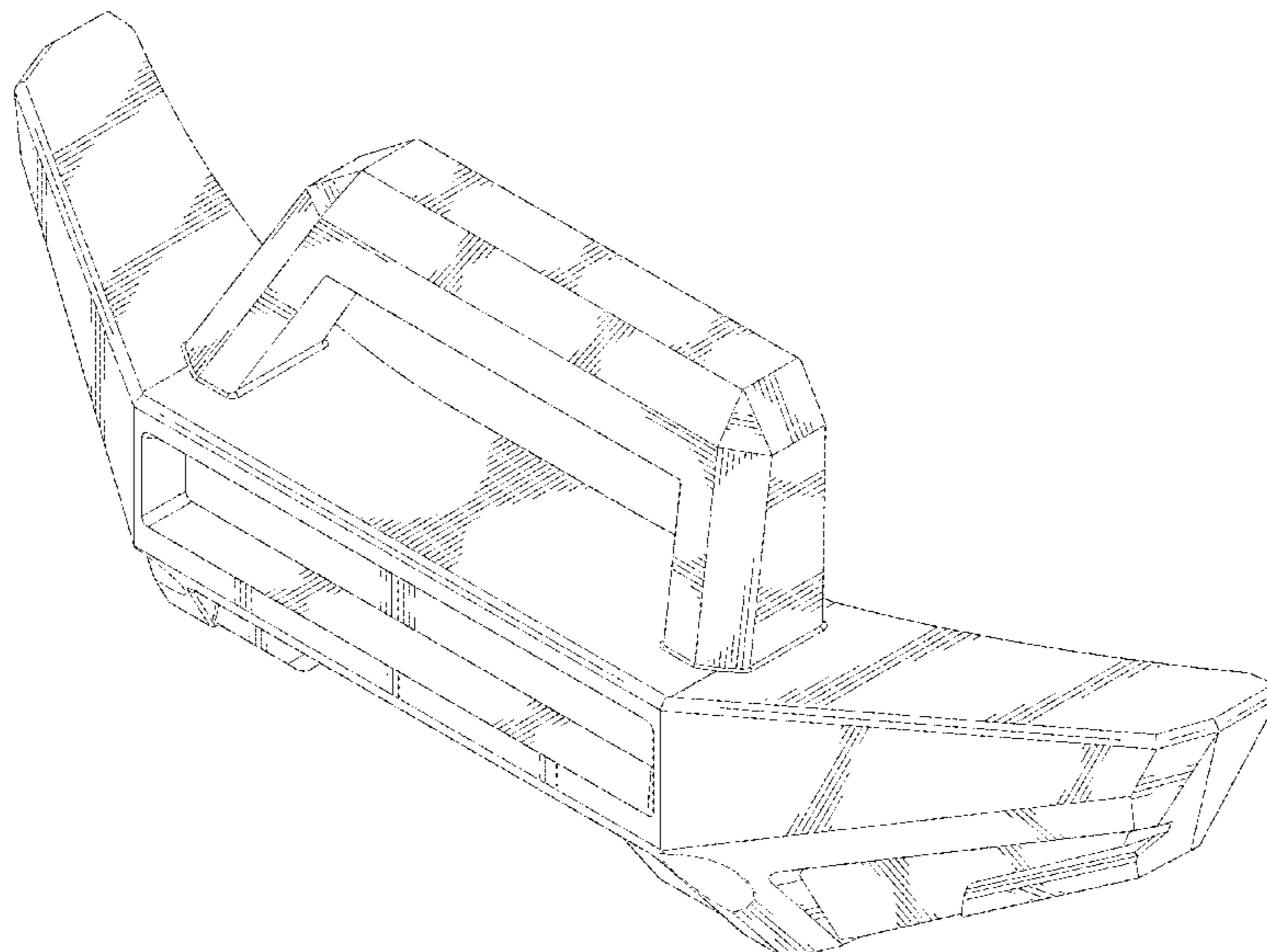
(56) **References Cited**

U.S. PATENT DOCUMENTS

1,355,592 A 10/1920 Graw
1,414,382 A 5/1922 Stafford
1,427,624 A 8/1922 Newton
1,448,504 A 3/1923 Plante
1,464,321 A 8/1923 Koester et al.

(Continued)

1 Claim, 6 Drawing Sheets



(56)

References Cited

U.S. PATENT DOCUMENTS

1,468,868 A	9/1923	Reichstetter, Jr. et al.	D691,074 S	10/2013	Dugardin
1,487,352 A	3/1924	Nelson	D697,842 S	1/2014	Harriton
1,494,867 A	5/1924	Rahe	D699,640 S	2/2014	Duderstadt
1,509,394 A	9/1924	Cox	D704,107 S	5/2014	Peltola et al.
1,534,760 A	4/1925	Blackmore	D713,305 S	9/2014	Sperling et al.
1,633,603 A	6/1927	Spencer	D716,201 S	10/2014	Ewing et al.
1,655,978 A	1/1928	Vella	D722,927 S	2/2015	Schroeder et al.
1,729,731 A	10/1929	Vidach	D726,605 S	4/2015	Schroeder
1,836,610 A	12/1931	McMurdo	D728,038 S	4/2015	Ewing et al.
1,867,708 A	7/1932	Paton	D737,181 S	8/2015	Smith et al.
1,982,775 A	12/1934	Williams	D737,724 S	9/2015	Schroeder et al.
2,038,964 A	4/1936	Smith	D737,739 S	9/2015	Hanson et al.
2,144,357 A	1/1939	Booharin	D740,730 S	10/2015	Peltola et al.
2,146,642 A	2/1939	Mueth	D741,233 S	10/2015	Glover et al.
2,227,560 A	1/1941	Szabo	D744,384 S	12/2015	Harriton
2,236,507 A	4/1941	Kreits	D744,386 S	12/2015	Harriton
D160,661 S	12/1949	Ross	D744,387 S	12/2015	Harriton
2,502,483 A	4/1950	Sauer et al.	D744,388 S	12/2015	Harriton
2,604,349 A	7/1952	Martinetz	D749,021 S	2/2016	Boniface et al.
3,547,469 A	12/1970	Sancioni	D749,995 S	2/2016	Azadi et al.
3,663,048 A	5/1972	Zimmerle	D751,012 S	3/2016	Hare
3,689,054 A	9/1972	Gouirand	D753,034 S	4/2016	Thole et al.
D225,523 S	12/1972	Nunn	D760,133 S	6/2016	Bennett et al.
3,756,643 A	9/1973	Weed	D761,166 S	7/2016	Hare
3,774,948 A	11/1973	Gouirand	D763,745 S	8/2016	Lee, IV et al.
3,782,767 A	1/1974	Moore	D771,537 S	11/2016	Hare
3,829,118 A	8/1974	Gouirand	D775,013 S	12/2016	Bennett et al.
3,837,695 A	9/1974	Haase et al.	D775,016 S	12/2016	Reynolds
D234,194 S	1/1975	Cline	D775,032 S	* 12/2016	Palmer D12/190
3,938,840 A	2/1976	Haase et al.	D776,582 S	1/2017	Bennett et al.
3,971,583 A	7/1976	Kornhauser	D777,618 S	1/2017	Setina
4,264,094 A	4/1981	White et al.	D777,619 S	1/2017	Barajas et al.
D275,776 S	10/1984	Horowitz et al.	D778,213 S	2/2017	Platto et al.
D300,128 S	3/1989	Brennan	D778,784 S	2/2017	Hirooka
5,181,699 A	1/1993	Chang	D781,193 S	3/2017	McMath
5,326,083 A	7/1994	Wydra et al.	D781,757 S	3/2017	Baggett
D360,865 S	8/1995	Hanson	D784,869 S	4/2017	Yamamoto
D375,067 S	10/1996	Bronstein	D785,504 S	5/2017	Higgs
D403,023 S	12/1998	Araki	D786,745 S	5/2017	Zeng
5,971,451 A	10/1999	Huang	D789,258 S	6/2017	McMath
D420,634 S	2/2000	Nelson	D792,817 S	7/2017	McMath
D420,962 S	2/2000	Chevalier	D792,818 S	7/2017	McMath
D422,953 S	4/2000	Waagenaar	D793,304 S	8/2017	McMath
D425,462 S	5/2000	Ujiie	D794,519 S	8/2017	McMath
D431,506 S	10/2000	Runfola	D796,399 S	9/2017	Steen
D432,469 S	10/2000	Nelson	D800,028 S	10/2017	Baggett
6,217,090 B1	4/2001	Berzinji	D800,036 S	10/2017	Bennett et al.
D454,098 S	3/2002	McGuinness	D800,226 S	10/2017	Zeng
D454,099 S	3/2002	McGuinness	D801,892 S	11/2017	Drever
D454,817 S	3/2002	McGuinness	D810,626 S	* 2/2018	Macey D12/91
D455,684 S	4/2002	McGuinness	D811,956 S	3/2018	Zeng
D455,988 S	4/2002	McGuinness	D814,984 S	* 4/2018	Wymore D12/169
D462,401 S	9/2002	Wu	D821,275 S	6/2018	Eck et al.
D462,727 S	9/2002	Wu	D823,750 S	7/2018	Schulzetzenberg et al.
D464,087 S	10/2002	Wu	D825,385 S	* 8/2018	Ma D12/91
D476,606 S	7/2003	Hamm et al.	D826,115 S	* 8/2018	Chi B60R 19/52 D12/172
D485,219 S	1/2004	Hamm et al.	D826,116 S	8/2018	DiCanzio
D487,038 S	2/2004	Chan	D827,054 S	8/2018	Ewing et al.
D502,433 S	3/2005	McClanahan	D827,055 S	8/2018	Barajas et al.
D506,421 S	6/2005	Newbill	D828,223 S	* 9/2018	Piscitelli D12/91
D521,572 S	5/2006	Yuen	D830,919 S	10/2018	Zeng
7,097,222 B2	8/2006	Ran	D832,161 S	10/2018	Kobayashi
D527,696 S	9/2006	Ichikawa et al.	D832,368 S	10/2018	Barajas et al.
D532,348 S	11/2006	Kudo et al.	D833,922 S	11/2018	DiCanzio
D533,606 S	12/2006	Kaminski	D845,844 S	4/2019	Langhals et al.
D534,593 S	1/2007	Yuen	D845,845 S	4/2019	Goodrich et al.
D577,083 S	9/2008	Nakayama	D845,846 S	4/2019	Goodrich et al.
D580,322 S	11/2008	Schroeder et al.	D845,847 S	4/2019	Piscitelli et al.
D590,752 S	4/2009	Williams et al.	D846,460 S	4/2019	Goodrich et al.
D593,616 S	6/2009	Asai	D846,461 S	4/2019	Piscitelli et al.
D606,913 S	12/2009	Robertson	D846,462 S	4/2019	DiCanzio
7,703,834 B1	4/2010	Hardy et al.	D847,051 S	* 4/2019	DiCanzio D12/171
D636,305 S	4/2011	Alvarez et al.	D847,709 S	* 5/2019	Neal D12/171
D642,099 S	7/2011	Nagao et al.	D850,334 S	* 6/2019	DiCanzio D12/169
D683,281 S	5/2013	Hamton	D860,881 S	* 9/2019	Ninov D12/164
			D864,806 S	* 10/2019	Wood D12/171
			D870,615 S	12/2019	Wood
			D873,729 S	1/2020	Rolfs et al.

(56)

References Cited

U.S. PATENT DOCUMENTS

D873,730 S	1/2020	Goodrich et al.	
D873,731 S	1/2020	Goodrich et al.	
D873,734 S	1/2020	Goodrich et al.	
D874,998 S *	2/2020	Zhang	D12/171
D874,999 S	2/2020	Ewing et al.	
D877,003 S	3/2020	Izard	
D877,670 S	3/2020	Moctezuma	
D878,976 S	3/2020	Goodrich et al.	
D878,978 S *	3/2020	Li	D12/171
D880,381 S *	4/2020	DiCanzio	D12/171
D887,328 S	6/2020	Lee	
D889,332 S *	7/2020	Chi	D12/171
D891,330 S	7/2020	Lenz, Jr.	
D893,366 S	8/2020	Dewitt et al.	
D894,802 S	9/2020	Grand	
D894,803 S	9/2020	DiCanzio	
D896,139 S *	9/2020	Williams	D12/171
D904,244 S	12/2020	Wood et al.	
D908,561 S *	1/2021	Harriton	D12/171
D908,562 S *	1/2021	Harriton	D12/171
D909,918 S *	2/2021	Langhals	D12/98
D910,493 S *	2/2021	Langhals	D12/98
D918,802 S *	5/2021	Huang	D12/171
D919,516 S *	5/2021	Chi	D12/171
D920,194 S *	5/2021	Mallicote	D12/171
2006/0192398 A1	8/2006	Buniewicz et al.	
2006/0261613 A1	11/2006	Byers et al.	
2009/0212581 A1	8/2009	Drever	
2009/0302623 A1	12/2009	Finney	
2013/0187395 A1	7/2013	Hanson et al.	
2017/0088076 A1	3/2017	Fujimoto et al.	
2017/0247014 A1	8/2017	Farooq et al.	
2017/0349227 A1	12/2017	Spindler et al.	
2018/0072254 A1	3/2018	Wymore	
2019/0337476 A1	11/2019	Hare et al.	

FOREIGN PATENT DOCUMENTS

TW	D163365 S	10/2014
TW	D168397 S	6/2015
TW	D169825 S	8/2015

OTHER PUBLICATIONS

“4 PCS ZD Racing 8481 Front Bumper Set.” Before Jul. 21, 2019. Banggood. https://www.banggood.com/4PCS-ZD-Racing-8481-Front-Bumper-Set-for-9116-08427-9021-V3-1-or-8-RC-Car-Parts-p-1528272.html?cur_warehouse=CN (Year: 2019).*

Onorato, Paul. “3 Must-See Pro-Line Traxxas Slash Builds that Anyone Can Do!” Apr. 29, 2019. RC Driver, <https://www.rcdriver.com/3-must-see-pro-line-traxxas-slash-builds-that-anyone-can-do/> (Year: 2019).*

“Traxxas Trx4 Aluminum Front Bumper (GPM Racing Product) Adding Extra Weight to the Front—RC Overdose.” Jan. 31, 2018. Youtube. https://www.youtube.com/watch?v=_wui5f_k1eY (Year: 2018).*

PL6088-00 Front Proline Ridge-Line Bumper (SMAL), Earliest Available Date May 2, 2019 [Online], [Site Visited Oct. 20, 2020] Available From Internet, URL: https://www.ebay.com/itm/PL6088-00-Front-PROLINE-RIDGE-LINE-BUMPER-SMAL-SET-VOOR-NARROW-ROCK-CRAWLING-/153425968229?_trksid=p2385738.m4383.14275.c10 (Year: 2019).

Traxxas TRX-4 Winch Front Bumper, Earliest Available Date May 22, 2019 [Online], [Site Visited Oct. 20, 2020] Available From Internet, URL: https://www.amainhobbies.com/traxxas-trx-4-winch-front-burnper-tra8124/p779826?gclid=EAlalQobChMI0aymroXE7AIVD02GCh0ntA-WEAQYBSABEgJl5_D_BwE (Year: 2019).

Traxxas LP; The New Traxxas Summit 16.8 V Electric Extreme Terrain Monster Truck; Traxxas Press Release; Oct. 16, 2008. Summit E-Revo Crawler SP08503 front bumper; Oct. 16, 2008. “How Do I Add a Ball Hitch to my RPM Rear Bumper (T/E-Maxx & Revo Bumpers)?” RPM, Jul. 30, 2005 [online], [Retrieved on Sep. 12, 1996]. Retrieved from the internet ,URL: <http://www.rpmreproducts.com/faq/add-ball-hitch-rpm-rear-bumper-te-maxx-revo-bumpers/>.

“WARN 87750 Elite Series Front Bumper with Grill Guard Tube” RPM, Jul. 17, 2013 [online], [retrieved on Sep. 12, 2016]. Retrieved from Internet ,URL: https://www.amazon.com/gp/product/B00625F4FI/ref=pd_sim_263_5?ie=UTF8&pd_rd_i=B00625F4FI&pd_rd_r=QN6NZ5WV34ZS00Z3BSGH&pd_rd_w=4XjJD&pd_rd_wg=7Z80V&psc=1&refRID=QN6NZ5WV34ZS0.

“Yeah Racing F/R Bumper w/ HD Shackie & LED’s—SCX10, Traxxas.” RC Hobbies, Nov. 12, 2014 [online], [retrieved on Sep. 12, 2016]. Retrieved from the Internet <URL: http://rchoobbies.com.au/store/product_info.php?products_id=80405>.

Taiwan IPO Search Report; Taiwan Design Patent App No. 105301434; Aug. 4, 2016.

Associated Electrics; “Catalog and Parts Listing for the Monster GT Truck”; 2003; Associated Electrics, Inc., Costa Mesa, California. Horizon Hobby; “Team Losi LST Super Truck—Drive Train Assy” exploded view; Horizon Hobby, Inc., Champaign, Illinois. HPI Racing, “Savage 21 4WD Giant Monster Truck” p. 56 exploded view; Hobby Products International, Foothill Ranch, California. Tamiya, “Terra Crusher Parts Breakdown—Front End”; Tamiya America, Inc., Aliso Viejo, California. Tamiya, “Wild Willy 2 Parts Breakdown”; 1999, Tamiya America, Inc., Aliso Viejo, California. Tamiya, “Wild Willy”; Tamiya America, Inc., Aliso Viejo, California; 1 photograph.

Traxxas, “T-Maxx Assemblies—Front Assembly”; Traxxas LP, Plano, Texas.

Axial SCX10 II 2000 Jeep Cherokee; <http://www.axialracing.com/products/ax90047>; Aug. 2016.

Axial SCX 10 Deadbolt; <http://www.axialracing.com/products/ax90044>; Aug. 2016.

Traxxas; Bumper support geometry, body mounts, body mount posts; <https://traxxas.com/products/parts/3619>; Oct. 2016.

Sema 2015 Fab Fours; 2 photos.

TF2 Mojave ARB-DELUXE Metal Front Bumper Assembly, Earliest Available Date Oct. 22, 2020 [Online], [Site Visited Oct. 22, 2020] Available From Internet, URL: <https://www.aliexpress.com/i/4000118857581.html> (Year: 2020).

Traxxas 5834 Front Bumper Mount Front Adapter 2WD Slash 4x4, Earliest Available Date Jul. 15, 2020 [Online], [Site Visited Oct. 22, 2020] Available From Internet, URL: https://www.ebay.com/itm/Traxxas-5834-Front-Bumper-Mount-Front-Adapter-2WD-Slash-4x4-174332832512?_trksid=p2385738.m4383.14275.c10 (Year: 2020).

Traxxas TRA6736 Bumper, Front/ Bumper Support, Earliest Available Date Oct. 22, 2020 [Online], [Site Visited Oct. 22, 2020] Available From Internet, URL: <https://amazon.com/Traxxas-TRA6736-Bumper-Front-Support/dp/B07HJF56V1#customerReviews> (Year: 2020).

* cited by examiner

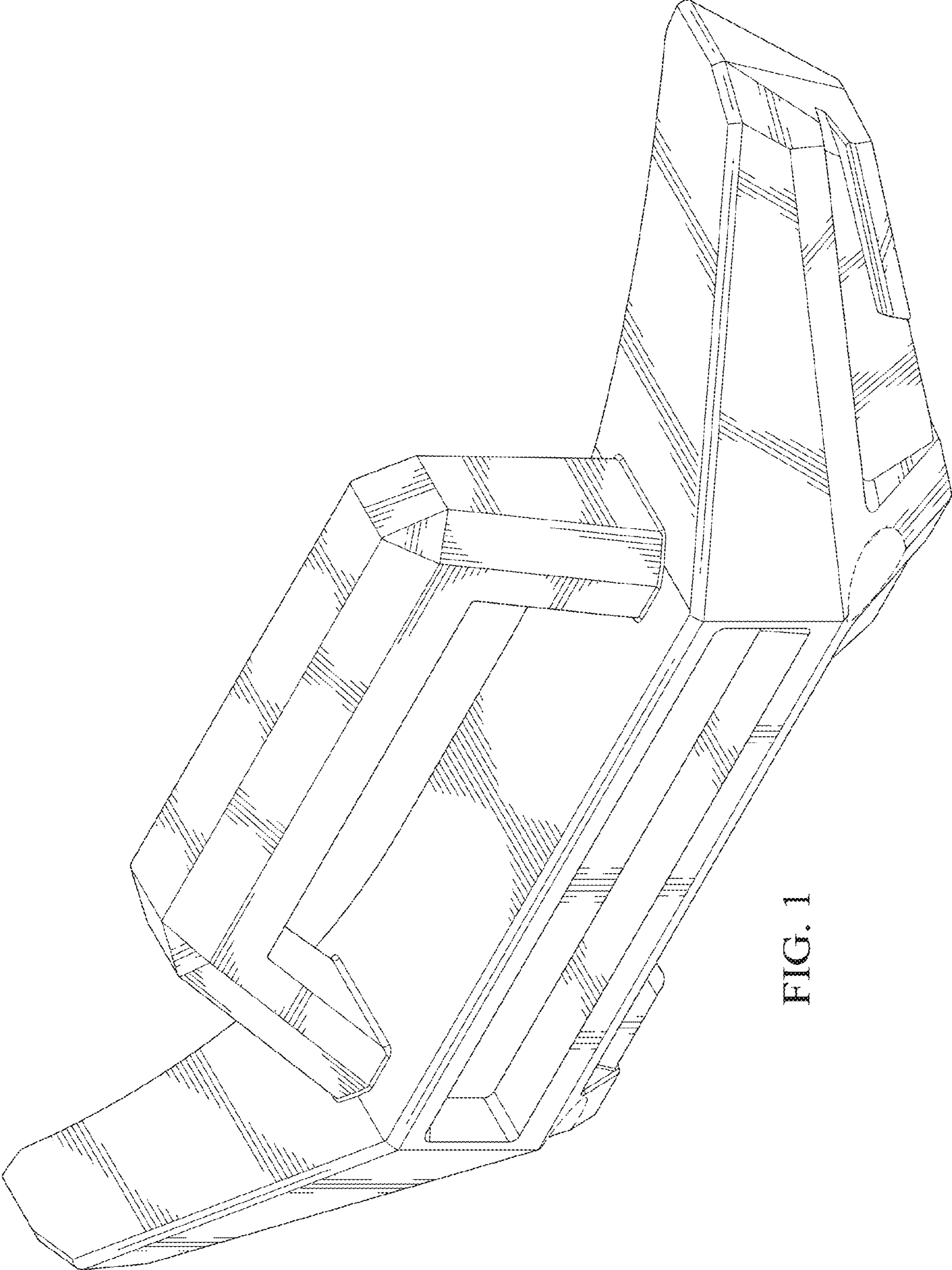


FIG. 1

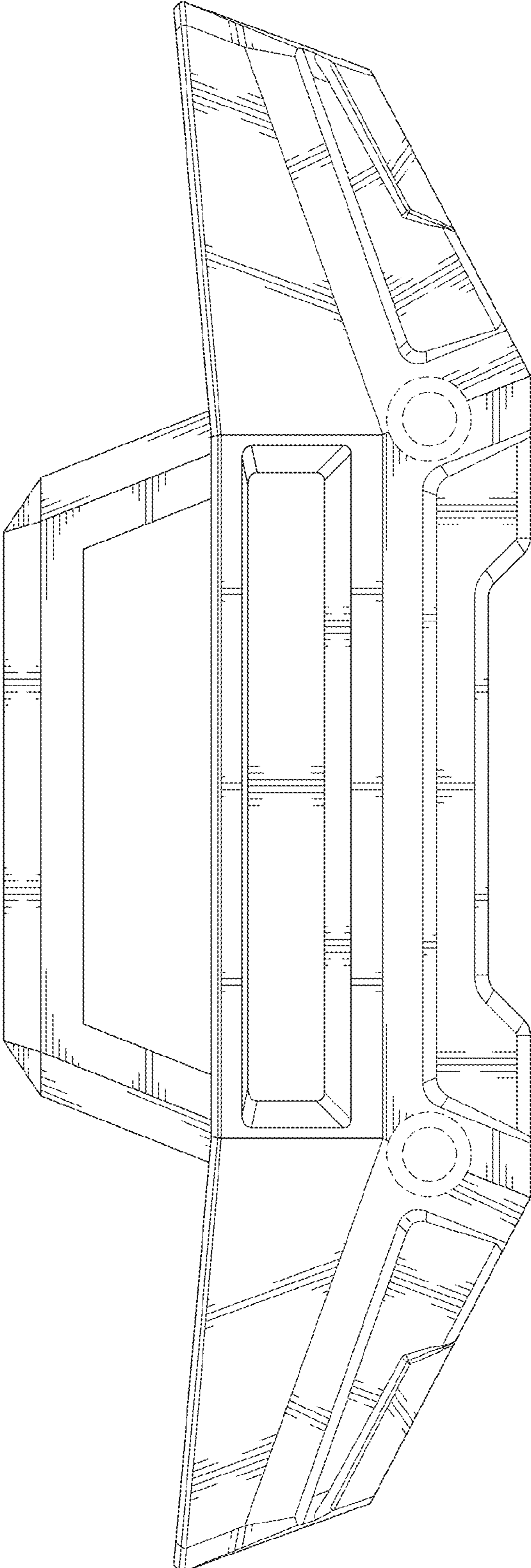


FIG. 2

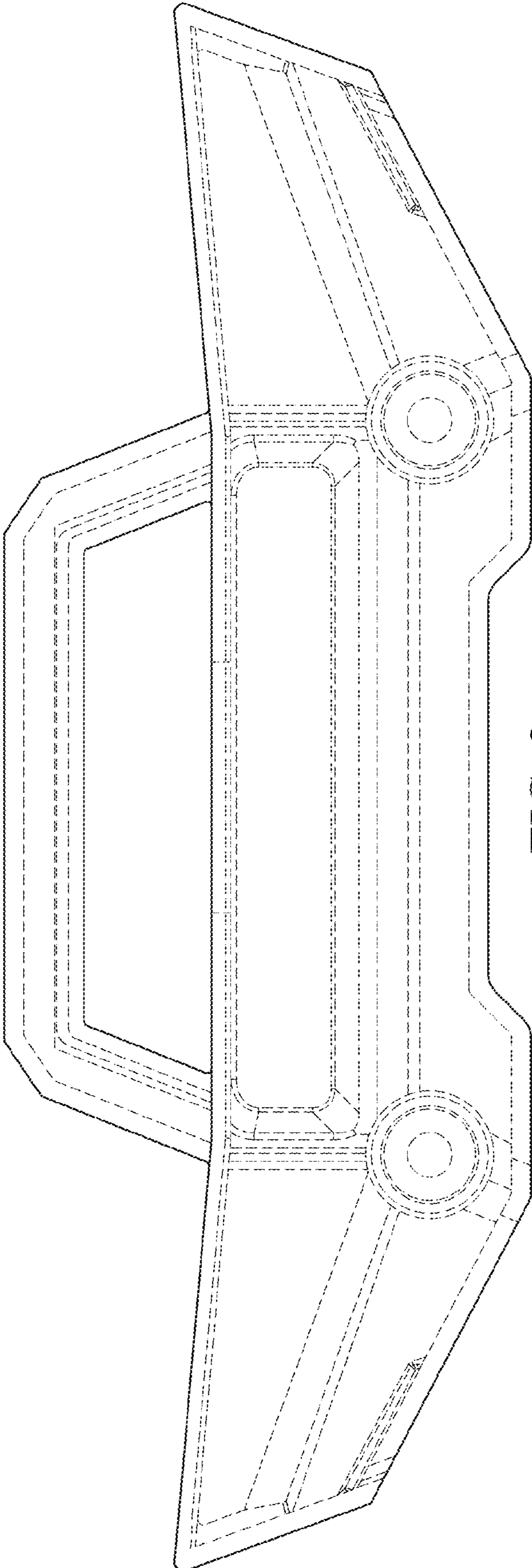


FIG. 3

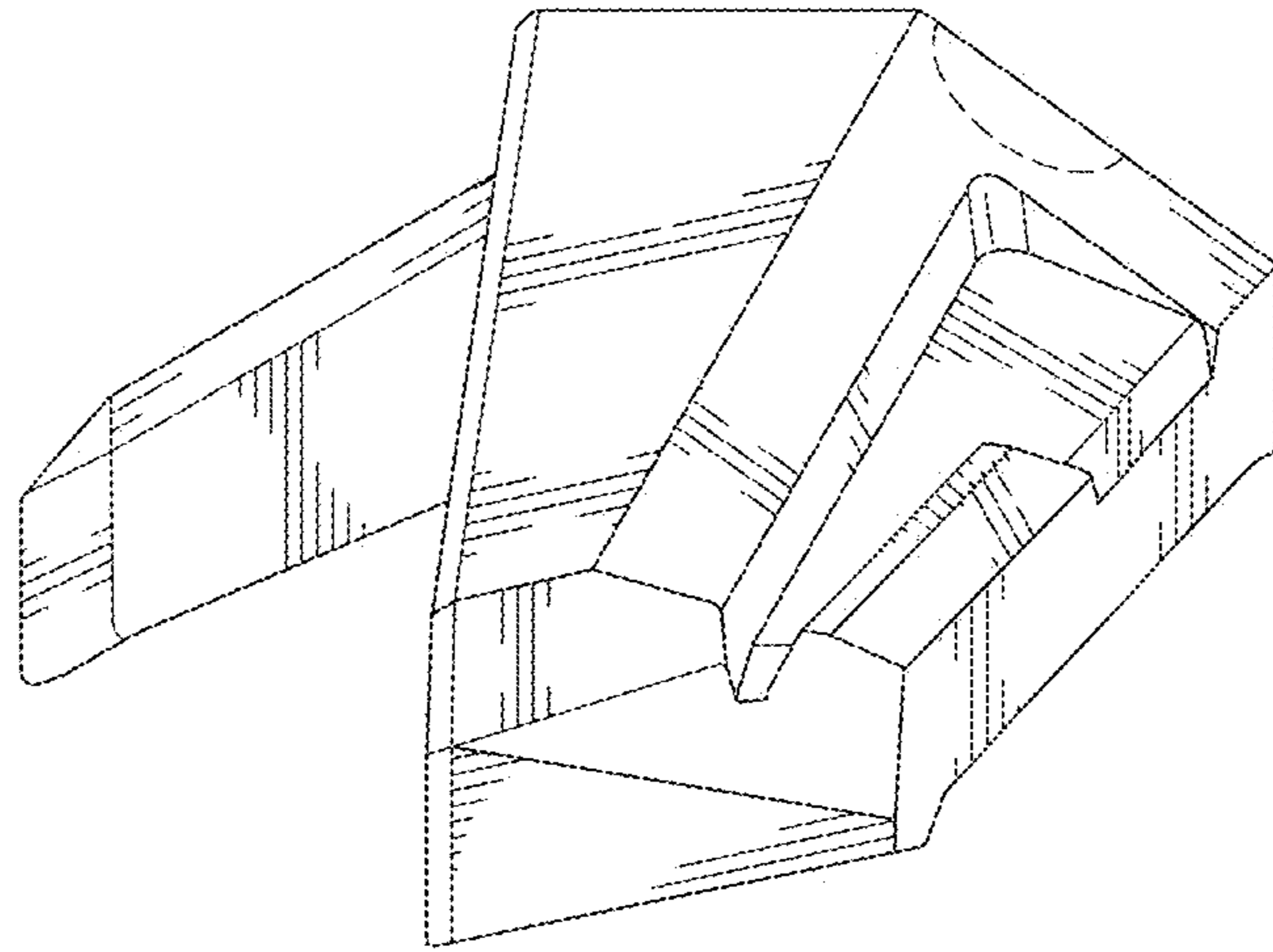


FIG. 5

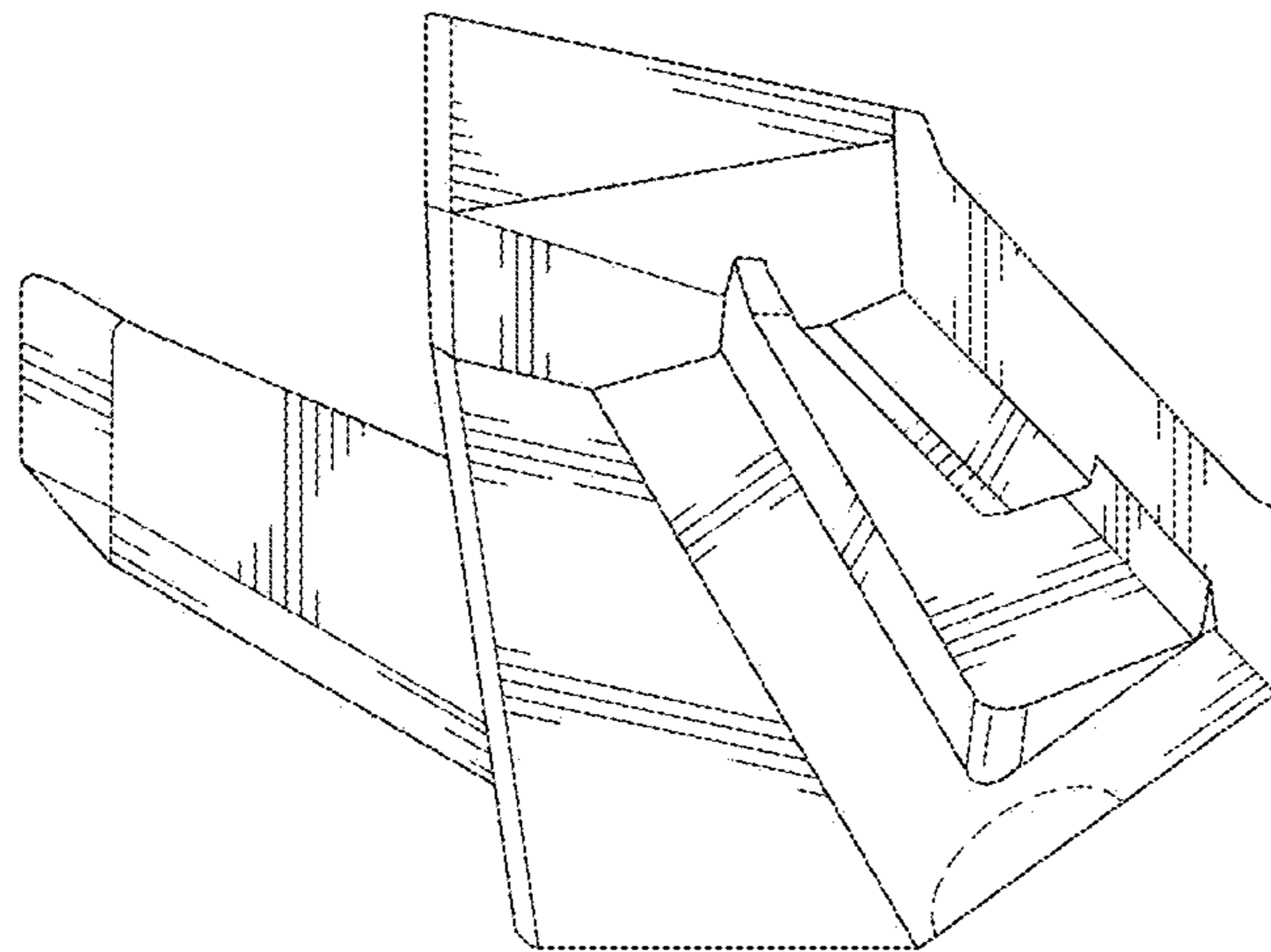


FIG. 4

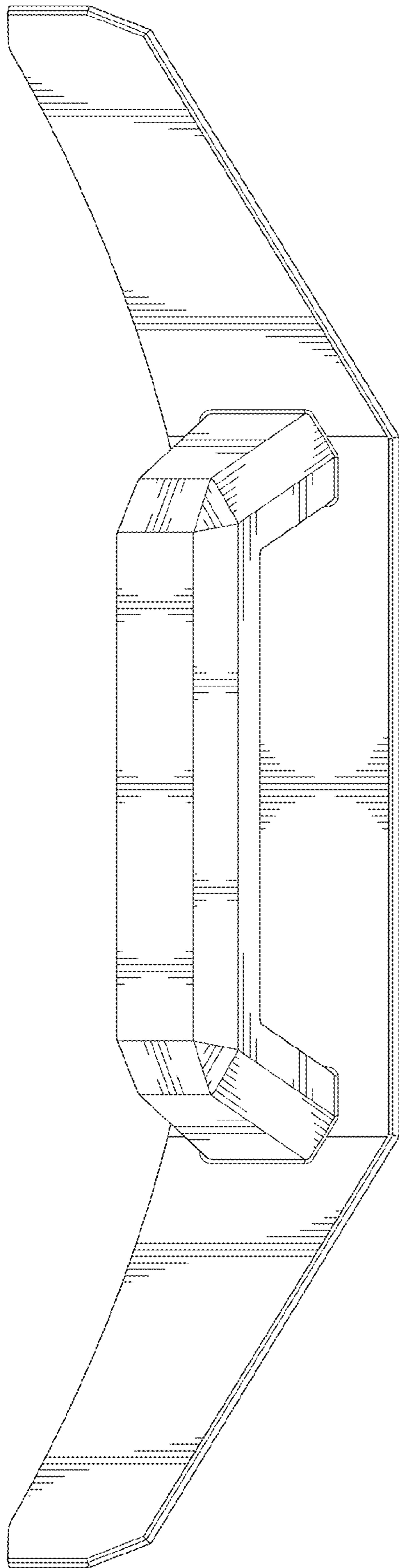


FIG. 6

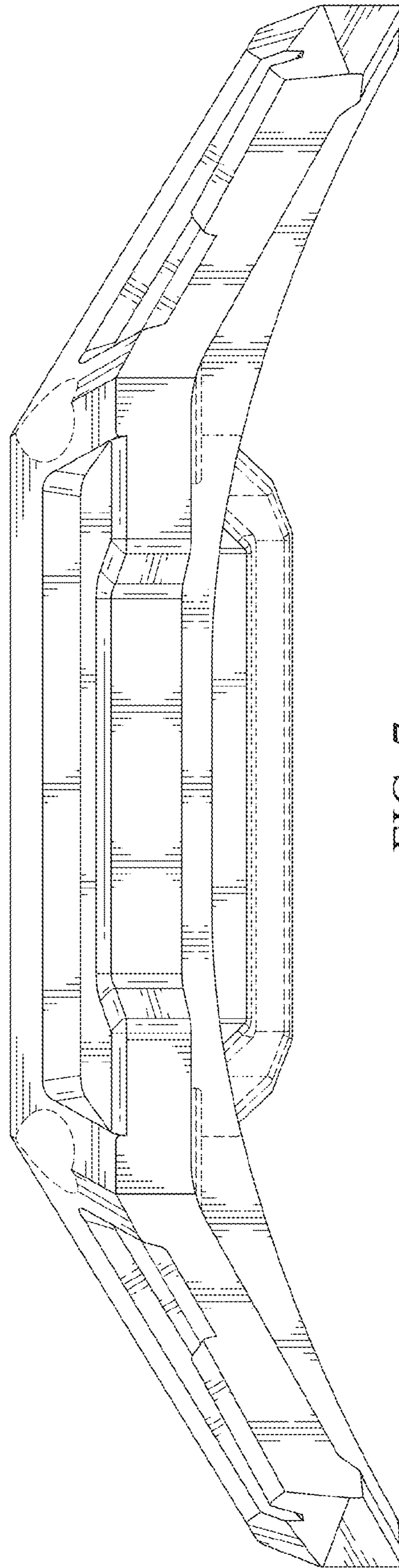


FIG. 7

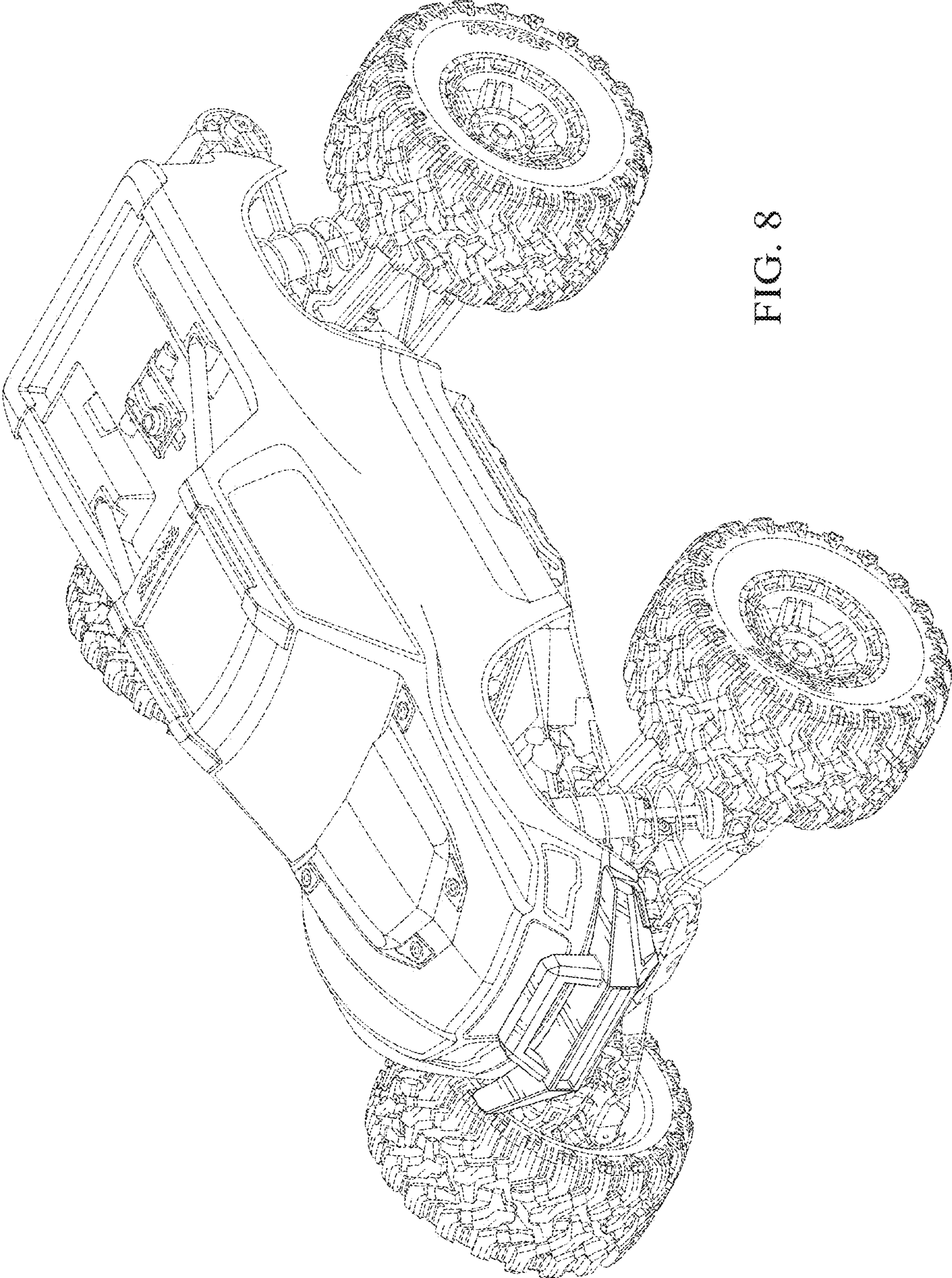


FIG. 8