

US00D940013S

(12) **United States Design Patent**  
**Wettig**

(10) **Patent No.:** **US D940,013 S**

(45) **Date of Patent:** **\*\* Jan. 4, 2022**

(54) **HEAT EXCHANGER FOR AUTOMOTIVE APPLICATIONS**

(71) Applicant: **Resource International Inc.**, New Castle, DE (US)

(72) Inventor: **Jason Wettig**, Street, MD (US)

(73) Assignee: **Resource International Inc.**, New Castle, DE (US)

(\*\*) Term: **15 Years**

(21) Appl. No.: **29/652,650**

(22) Filed: **Oct. 16, 2020**

(51) **LOC (13) Cl.** ..... **12-16**

(52) **U.S. Cl.**  
USPC ..... **D12/166**

(58) **Field of Classification Search**  
USPC ..... D12/164, 165, 166  
CPC ..... F28F 9/001; F28D 1/05366; F28D 1/0435  
See application file for complete search history.

(56) **References Cited**

**U.S. PATENT DOCUMENTS**

3,165,151	A *	1/1965	Astrup	.....	F28D 1/0535 165/81
D263,461	S *	3/1982	Young	.....	D12/166
4,540,044	A *	9/1985	Lenz	.....	F28F 9/001 165/149
4,619,313	A *	10/1986	Rhodes	.....	F28F 9/001 165/149
6,899,167	B2 *	5/2005	Martins	.....	F28F 1/32 165/140
7,500,514	B2 *	3/2009	Heine	.....	F01P 11/08 165/140
7,694,724	B2 *	4/2010	Kolb	.....	F28F 9/0234 165/81
7,942,223	B2 *	5/2011	Obayashi	.....	B60K 11/04 180/68.4

8,376,073	B2 *	2/2013	Nantais	.....	B60K 11/04 180/68.4
D703,126	S *	4/2014	Tafe	.....	D12/223
D717,218	S *	11/2014	Tafe	.....	D12/166
D717,702	S *	11/2014	McCardle	.....	D12/166
D746,732	S *	1/2016	Pruitt	.....	D12/166
D751,472	S *	3/2016	Pruitt	.....	D12/166
D802,492	S *	11/2017	Pruitt	.....	D12/166
D802,493	S *	11/2017	Pruitt	.....	D12/166

(Continued)

**OTHER PUBLICATIONS**

“2015-2020 BMW F8X M3/ M4 Performanceheat Exchanger Parts & Installation Guide.” Mishimoto., Apr. 17, 2020 [online], [retrieved on Oct. 22, 2021]. Retrieved from the Internet <URL: [https://cdn.mishimoto.com/media/productpdf/MMHE-F80-15\\_INSTALLATIONGUIDE.pdf](https://cdn.mishimoto.com/media/productpdf/MMHE-F80-15_INSTALLATIONGUIDE.pdf)>.\*

(Continued)

*Primary Examiner* — Darlington Ly

(74) *Attorney, Agent, or Firm* — Condo Roccia Koptiw LLP

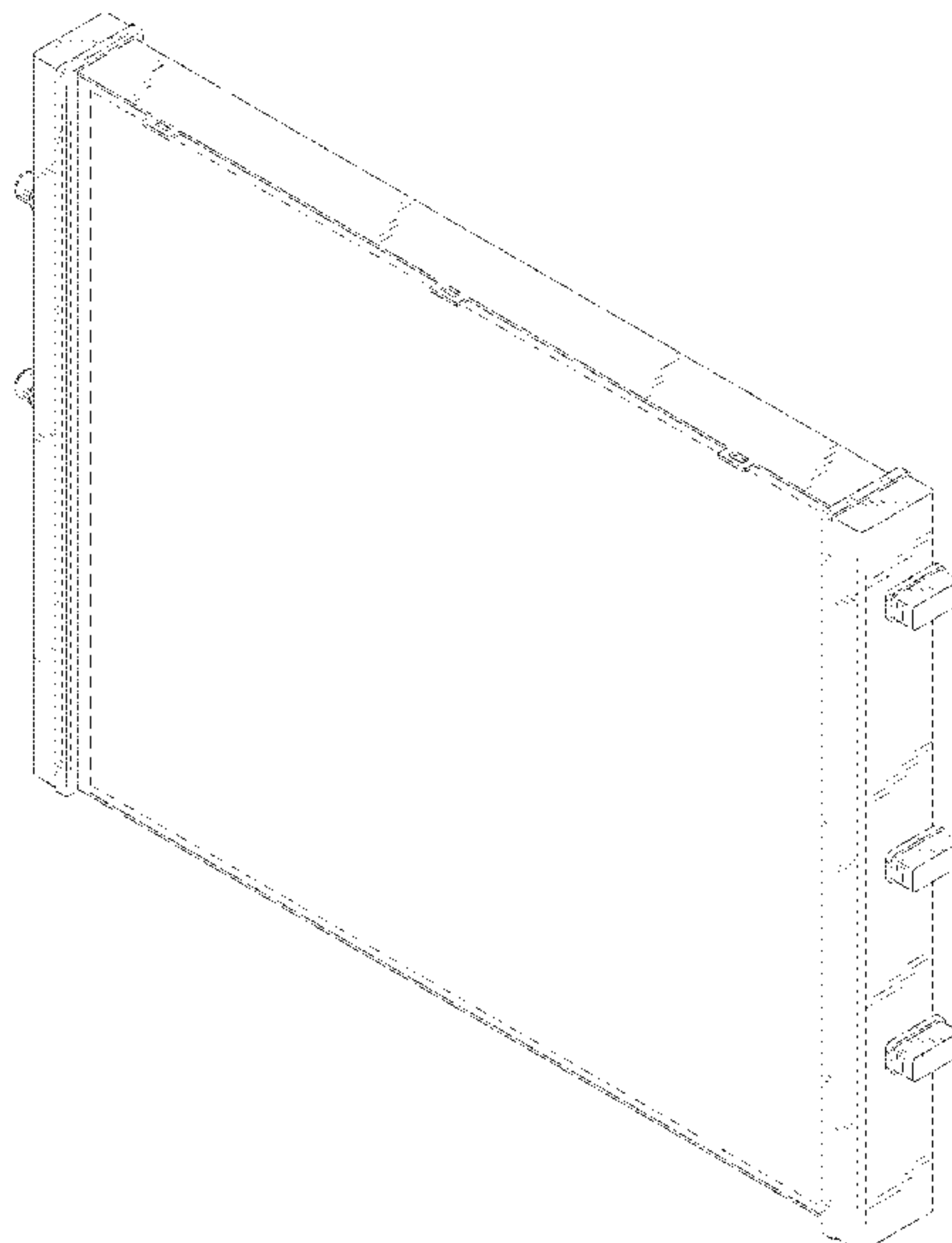
(57) **CLAIM**

The ornamental design for a heat exchanger for automotive applications, as shown and described.

**DESCRIPTION**

FIG. 1 is a top front perspective view of the heat exchanger for automotive applications showing my new design; FIG. 2 is a front elevation view thereof, with the rear elevation view being a mirror image thereof; FIG. 3 is a right side elevation view thereof; FIG. 4 is a left side elevation view thereof; FIG. 5 is a top plan view thereof; and, FIG. 6 is a bottom plan view thereof. The broken lines shown in the drawings illustrate portions of the heat exchanger for automotive applications that form no part of the claimed design.

**1 Claim, 4 Drawing Sheets**



(56)

**References Cited**

U.S. PATENT DOCUMENTS

D802,494	S	*	11/2017	Pruitt	.....	D12/166
D802,495	S	*	11/2017	Pruitt	.....	D12/166
D890,642	S	*	7/2020	Wettig	.....	D12/166
D890,643	S	*	7/2020	Tafe	.....	D12/166
2002/0056541	A1	*	5/2002	Kokubunji	.....	B60K 11/04 165/67
2010/0059214	A1	*	3/2010	Xu	.....	F28D 1/05366 165/148
2011/0155358	A1	*	6/2011	Galahroudi	.....	F28F 9/0214 165/173

OTHER PUBLICATIONS

“ALLOYWORKS 4 Row Core Aluminum Racing Radiator for 1972-1986 Jeep CJ5 CJ6 CJ7 Series Scrambler.” Amazon., Mar. 11, 2019 [online], [retrieved on Oct. 22, 2021]. Retrieved from the Internet <URL: [\\* cited by examiner](https://www.amazon.com/dp/B07587VWZ6/ref=sspa_dk_detail_4?psc=1&spLa=ZW5jcnlwdGVkUXVhbGlmaWVyPUEzMVJYTjNGMzZGSFpDJmVuY3J5cHRIZEikPUEwMzUyMzY5Mjl2SzhaN1lVWDhXVSZlbnNyeXB0ZWRBZEikPUEwOTU1NTE3M1FBTUI2VVEzV1VGNSZ3aWRnZXROYW1IPXNwX2RldGFpbDlmYWNoaW9uPWNsaWNrUmVkaXJlY3QmZG9Ob3RMb2dDbGljaz10cnVI>.*</a></p>
</div>
<div data-bbox=)

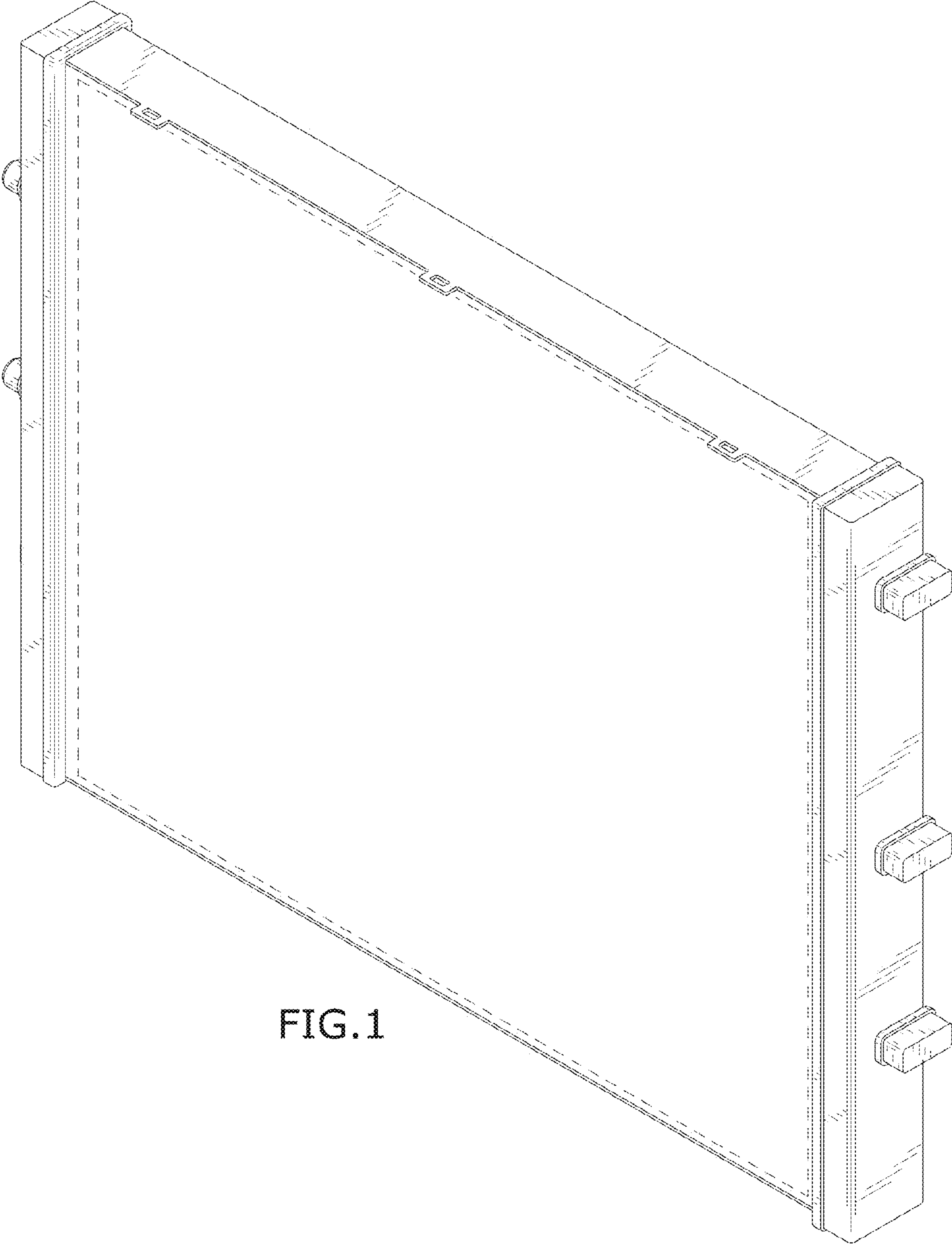


FIG.1

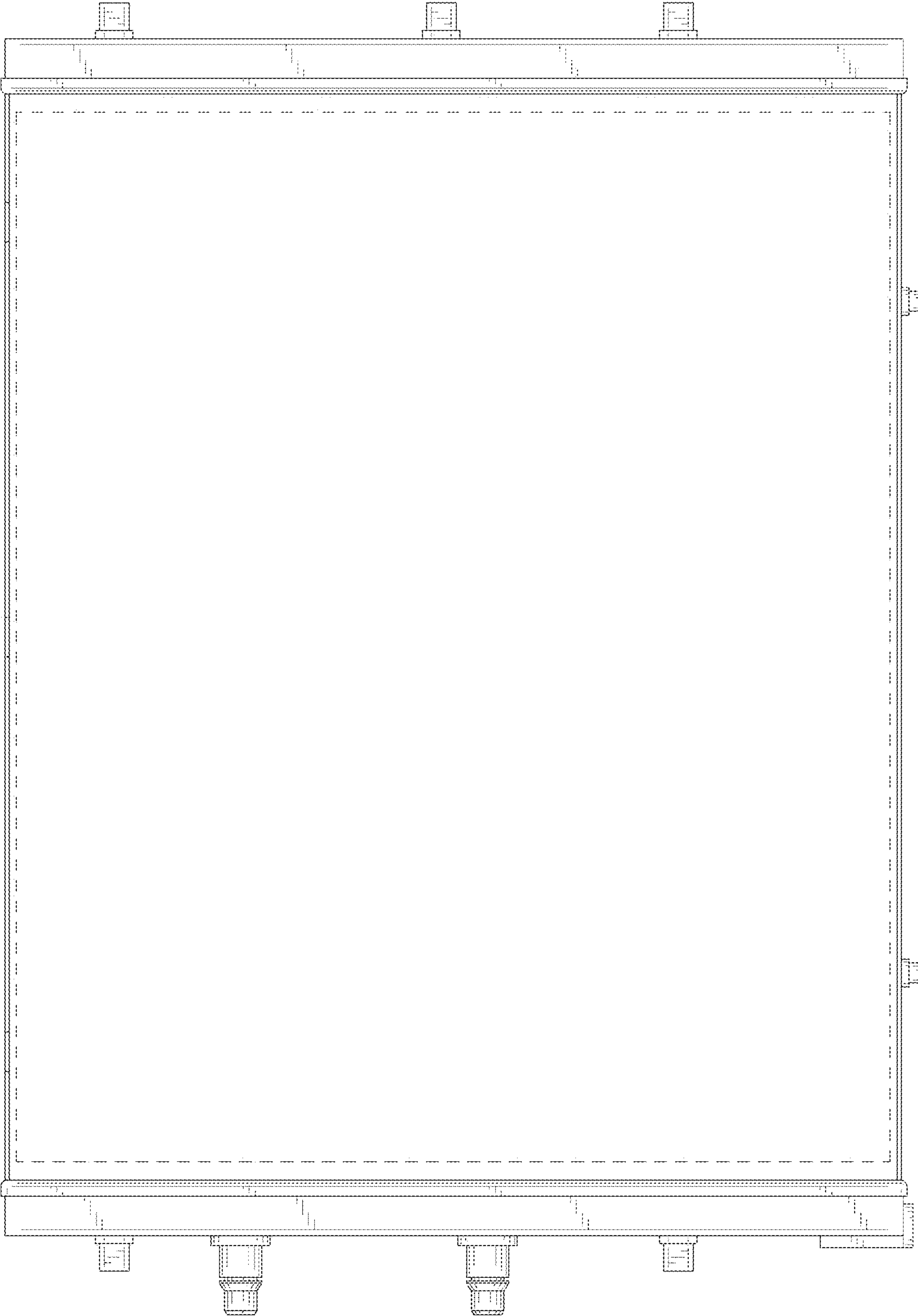


FIG.2

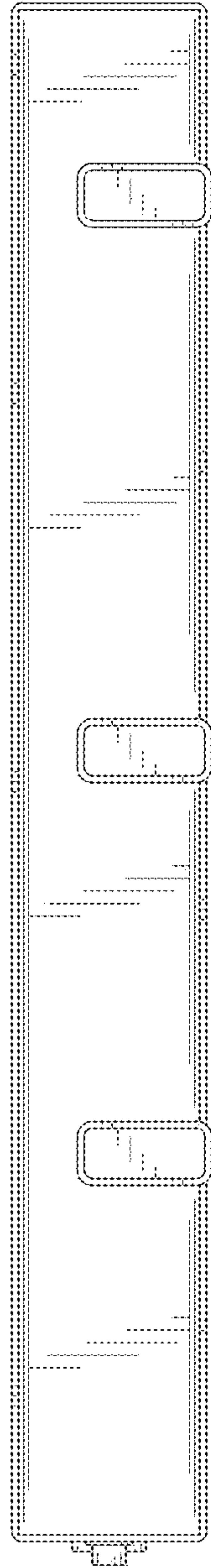


FIG. 3

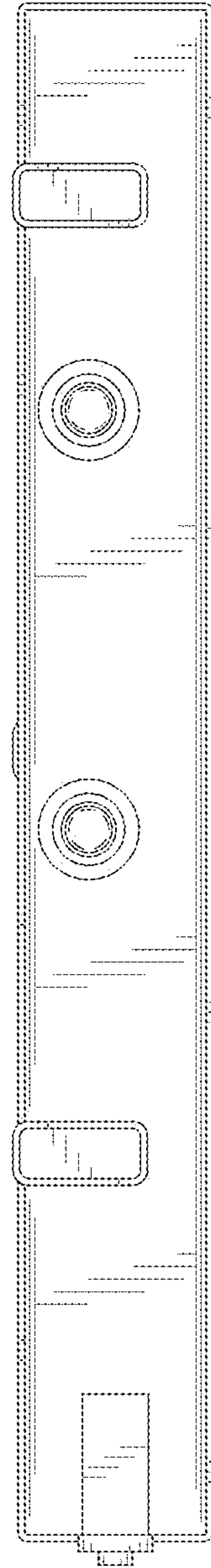


FIG. 4



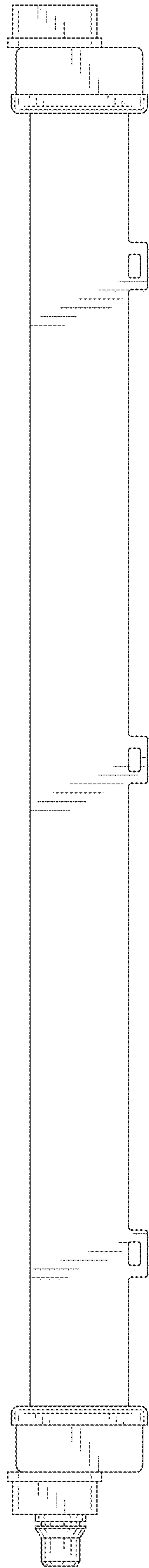


FIG. 5

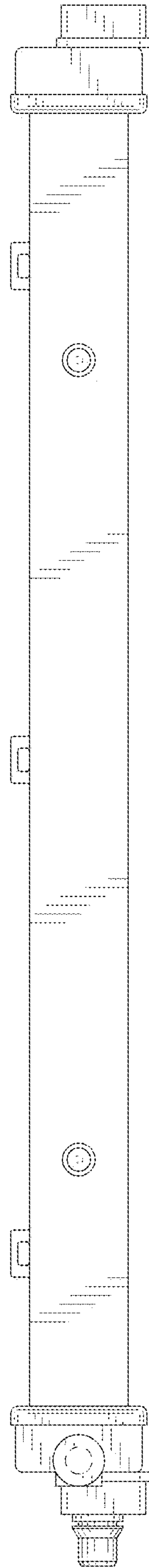


FIG. 6