



US00D940010S

(12) **United States Design Patent**
Hu et al.

(10) **Patent No.:** **US D940,010 S**
(45) **Date of Patent:** **** Jan. 4, 2022**

(54) **ELECTRIC BICYCLE**

(71) Applicant: **Beijing Niu Information Technology Co., Ltd.**, Beijing (CN)

(72) Inventors: **Yilin Hu**, Beijing (CN); **Chuankai Liu**, Beijing (CN); **Kai Yang**, Beijing (CN)

(73) Assignee: **Beijing Niu Information Technology Co., Ltd.**, Beijing (CN)

(**) Term: **15 Years**

(21) Appl. No.: **29/729,109**

(22) Filed: **Mar. 24, 2020**

(30) **Foreign Application Priority Data**

Sep. 27, 2019 (CN) 201930534847.1

(51) **LOC (13) Cl.** **12-11**

(52) **U.S. Cl.**
USPC **D12/111**

(58) **Field of Classification Search**
USPC D12/107, 110, 111, 117
CPC . B62K 3/00; B62K 3/005; B62K 9/00; B62K 19/00; B62K 19/02; B62K 19/04; B62K 19/06; B62K 19/16

See application file for complete search history.

(56) **References Cited**

U.S. PATENT DOCUMENTS

D253,102 S *	10/1979	Hahn	D12/110
D273,100 S *	3/1984	Ziegler	D12/111
D406,253 S *	3/1999	Yamashita	D12/110
D578,042 S *	10/2008	Yang	D12/111
D679,223 S *	4/2013	Loasby	D12/110
D727,214 S *	4/2015	Yang	D12/111
D730,778 S *	6/2015	Harness	D12/111
D730,779 S *	6/2015	Arbour	D12/111

D833,333 S *	11/2018	Yu	D12/111
D850,982 S *	6/2019	Zhu	D12/111
D850,983 S *	6/2019	Zhu	D12/111
D856,853 S *	8/2019	Luke	D12/110
D874,984 S *	2/2020	Luke	D12/110
D910,497 S *	2/2021	Sun	D12/111

OTHER PUBLICATIONS

“NIU Aero EUB-01” NIU., posted date Mar. 14, 2021 [online], [retrieved on Jun. 17, 2021]. Retrieved from the Internet <URL: <https://www.niu.com/en/product/eub>> (Year: 2021).*

“NIU joins e-bike market” NIU., posted date Nov. 10, 2019 [online], [retrieved on Jun. 17, 2021]. Retrieved from the Internet <URL: <https://www.electrive.com/2019/11/10/niu-joins-ebike-market-presents-new-electric-scooters/>> (Year: 2019).*

(Continued)

Primary Examiner — Darlington Ly

Assistant Examiner — Nasim Abdulaziz Ali

(74) *Attorney, Agent, or Firm* — Andrus Intellectual Property Law, LLP

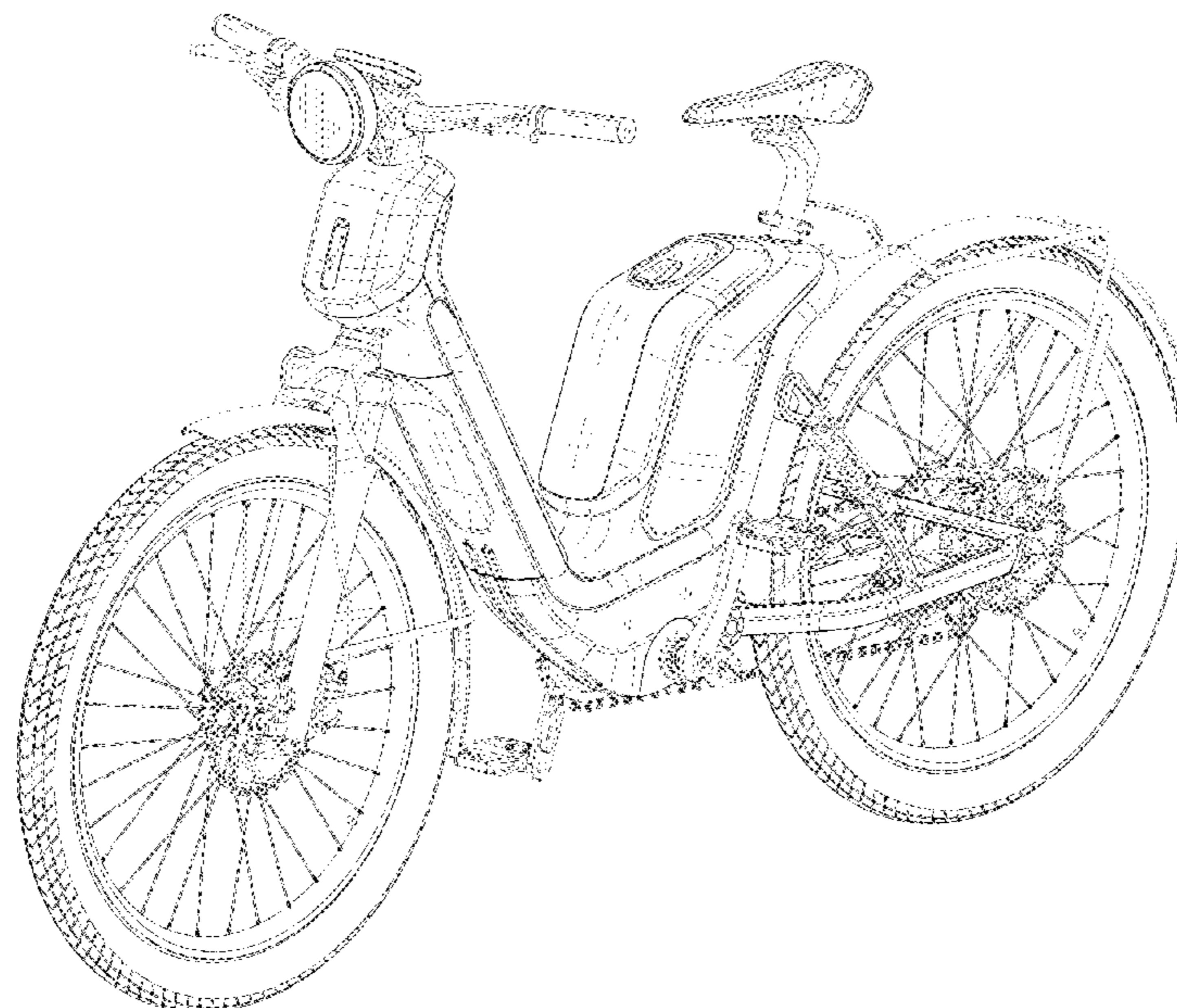
(57) **CLAIM**

The ornamental design for an electric bicycle, as shown and described.

DESCRIPTION

FIG. 1 is a front elevation view of an electric bicycle embodying our showing my new design; FIG. 2 is a rear elevation view thereof; FIG. 3 is a right side elevation view thereof; FIG. 4 is a left side elevation view thereof; FIG. 5 is a top plan view thereof; FIG. 6 is a bottom plan view thereof; and, FIG. 7 is a front and left side perspective view thereof. The broken lines shown in the figures depict portions of the electric bicycle that form no part of the claimed design.

1 Claim, 7 Drawing Sheets



(56)

References Cited

OTHER PUBLICATIONS

“NIU reveals new 44 MPH electric scooters” NIU., posted date Nov. 6, 2019 [online], [retrieved on Jun. 17, 2021]. Retrieved from the Internet <URL: <https://electrek.co/2019/11/06/niu-3-new-electric-scooters-and-a-new-electric-bicycle/>> (Year: 2019).*

* cited by examiner

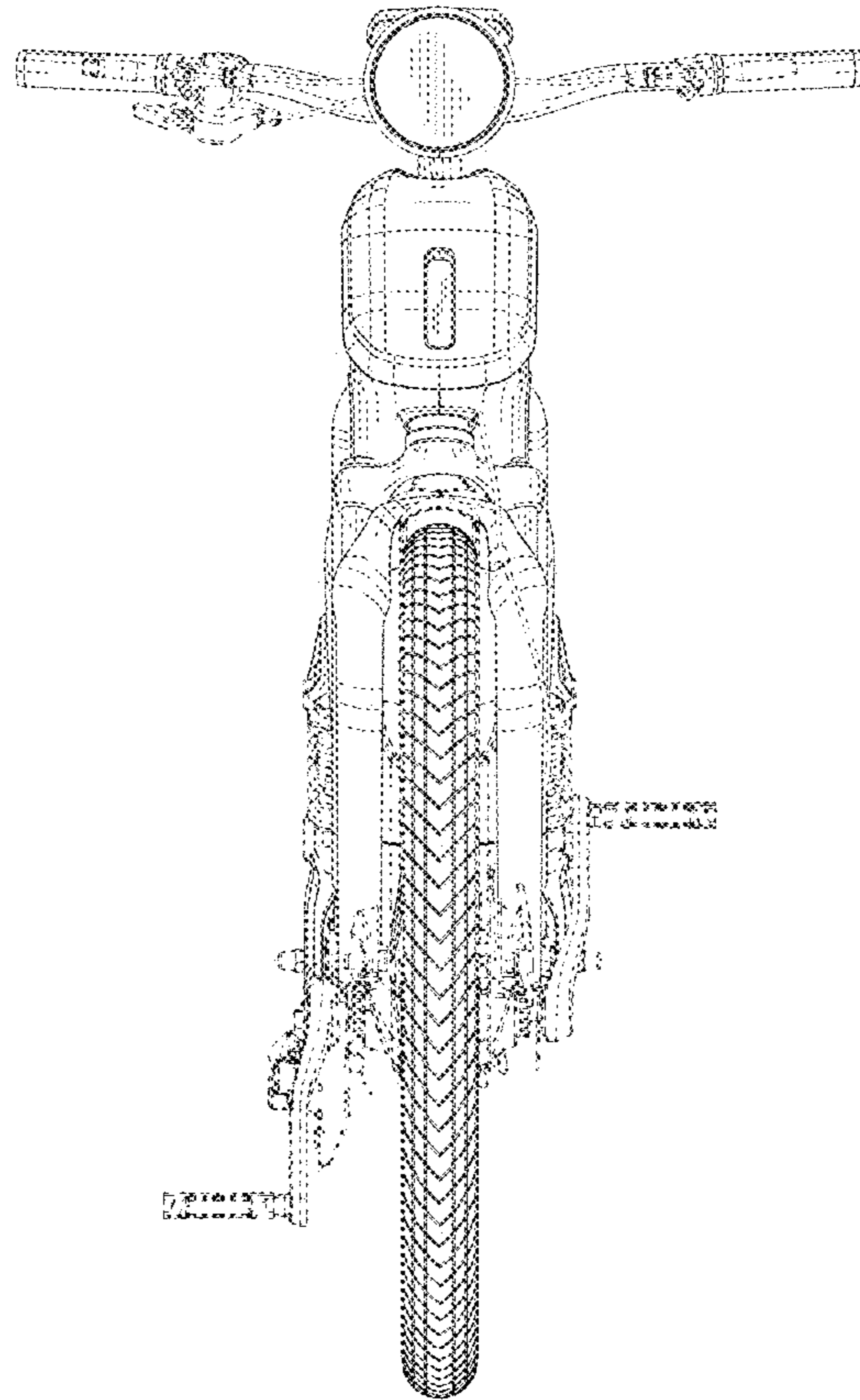


FIG. 1

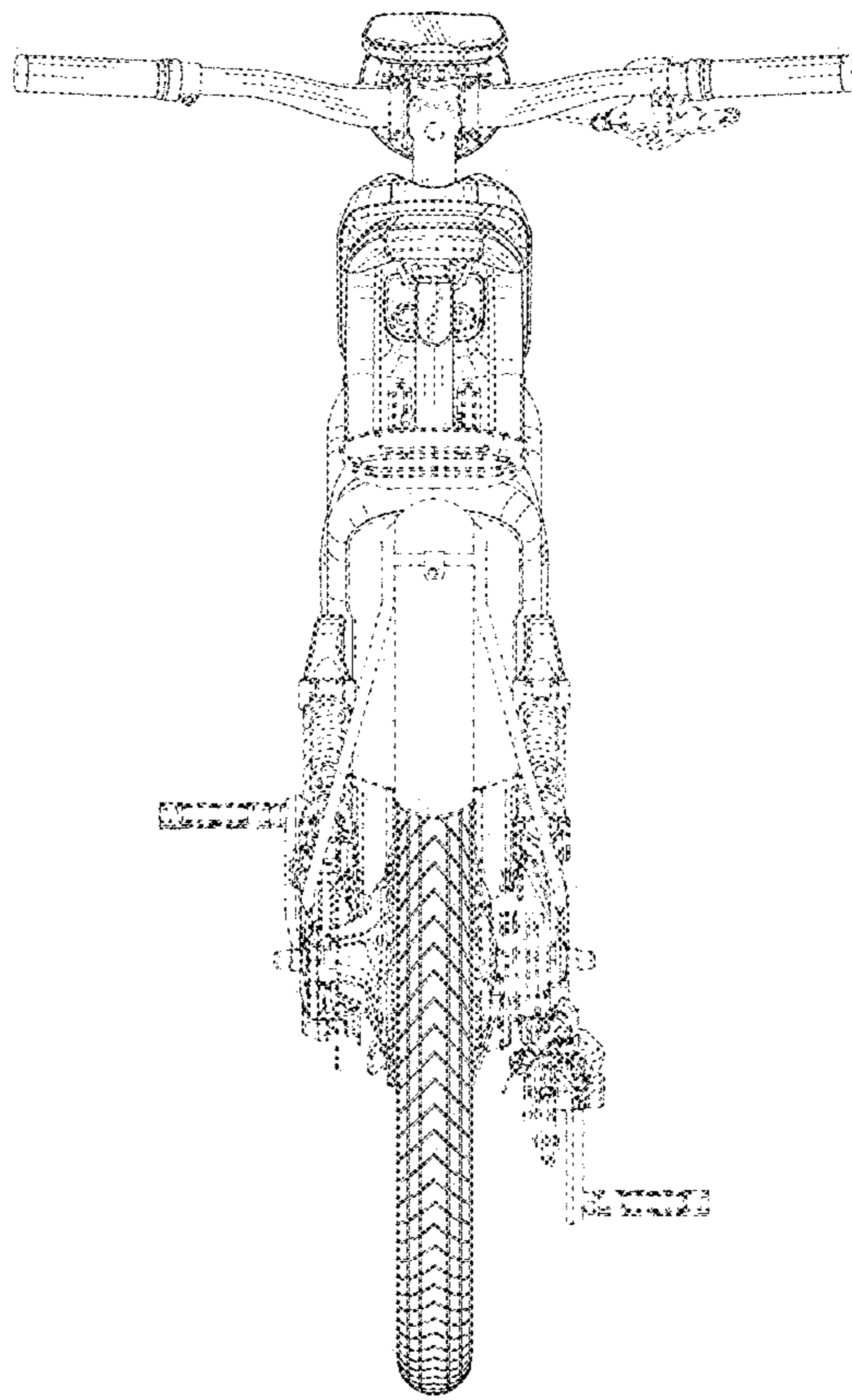


FIG.2

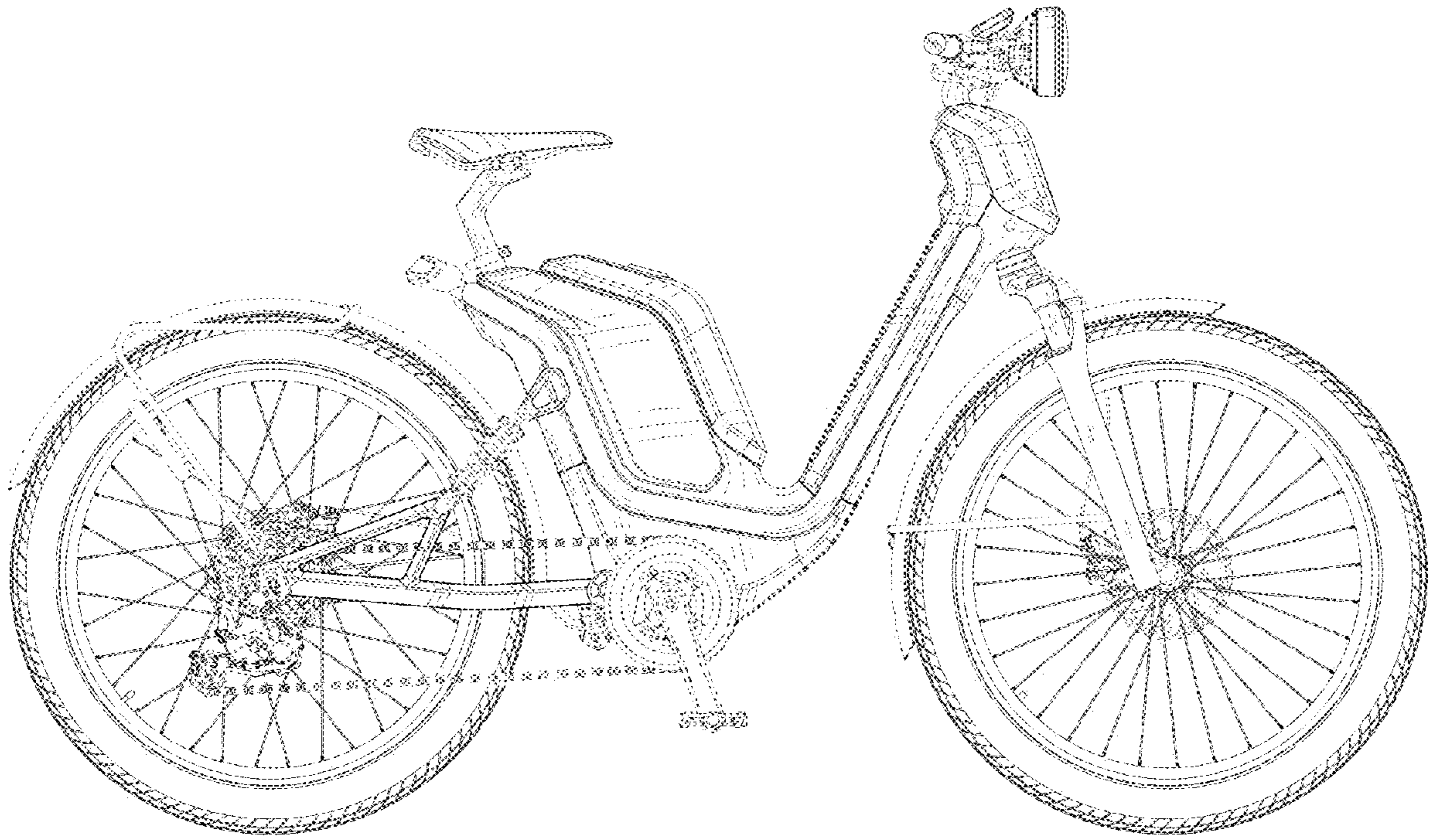


FIG. 3

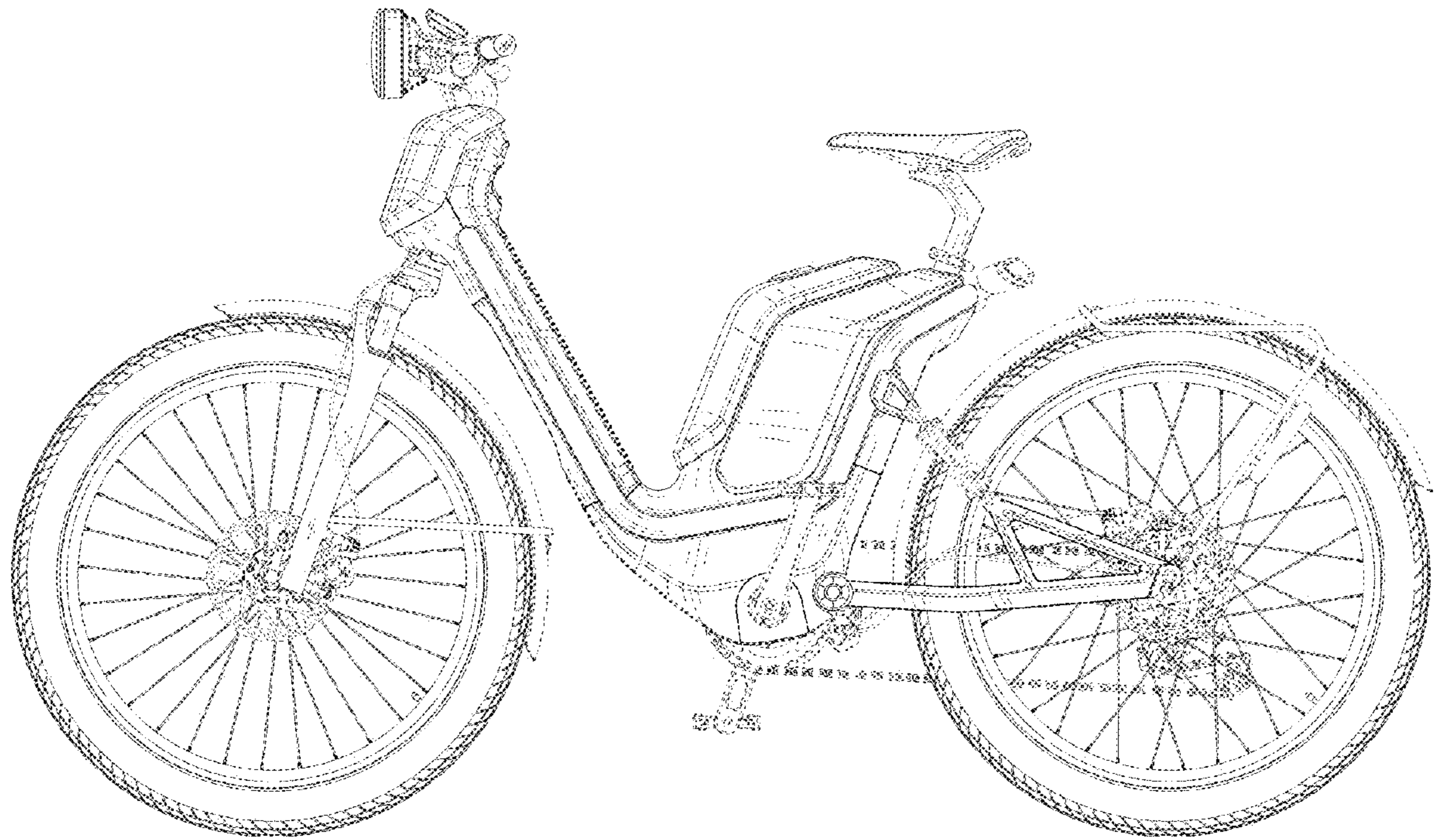


FIG. 4

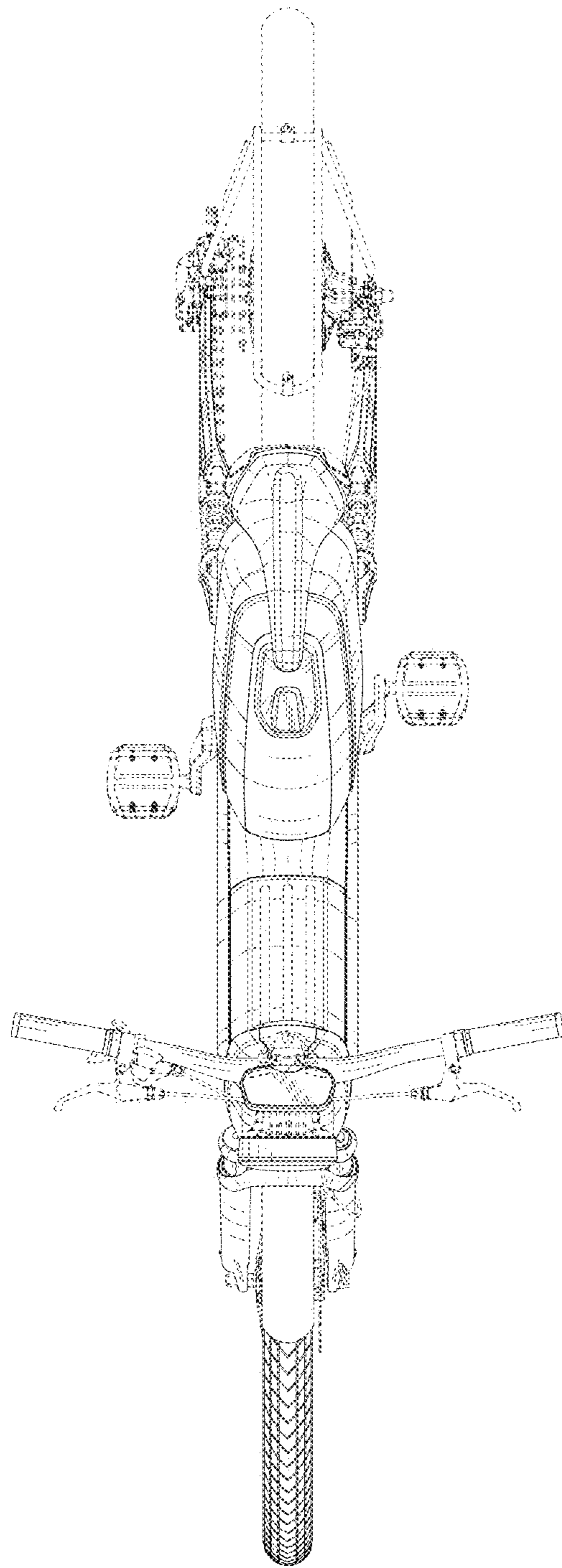


FIG. 5

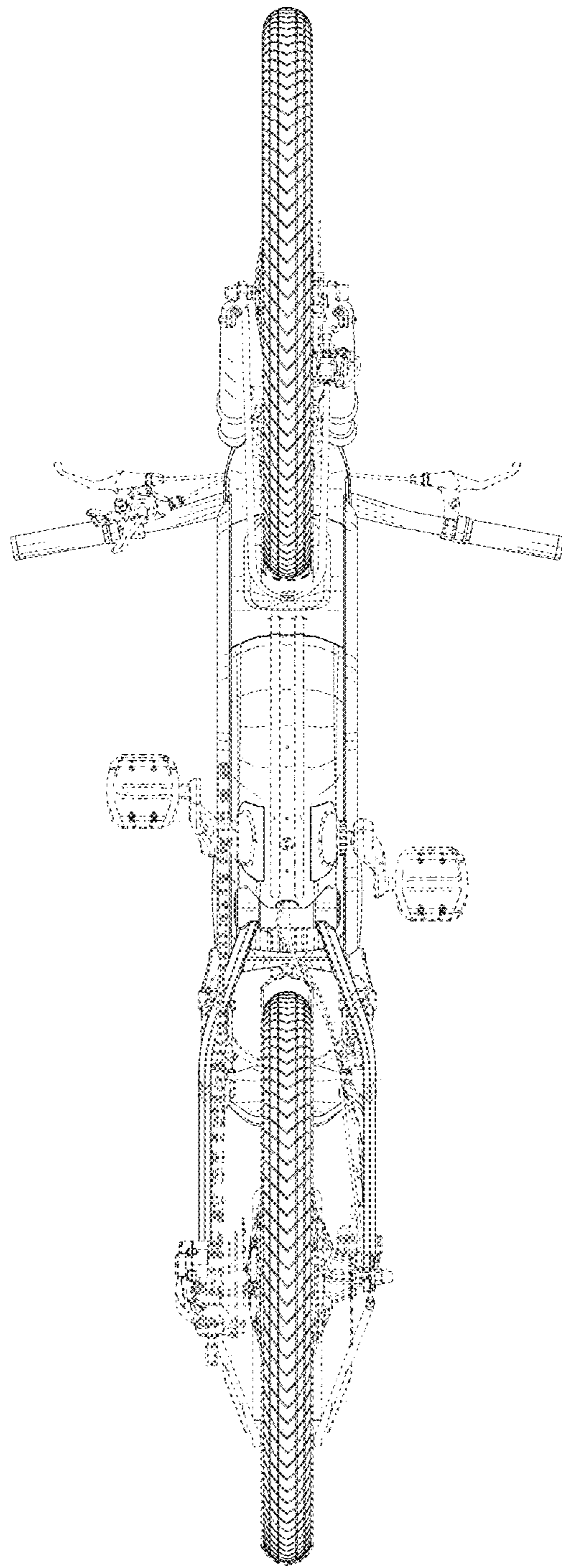


FIG. 6

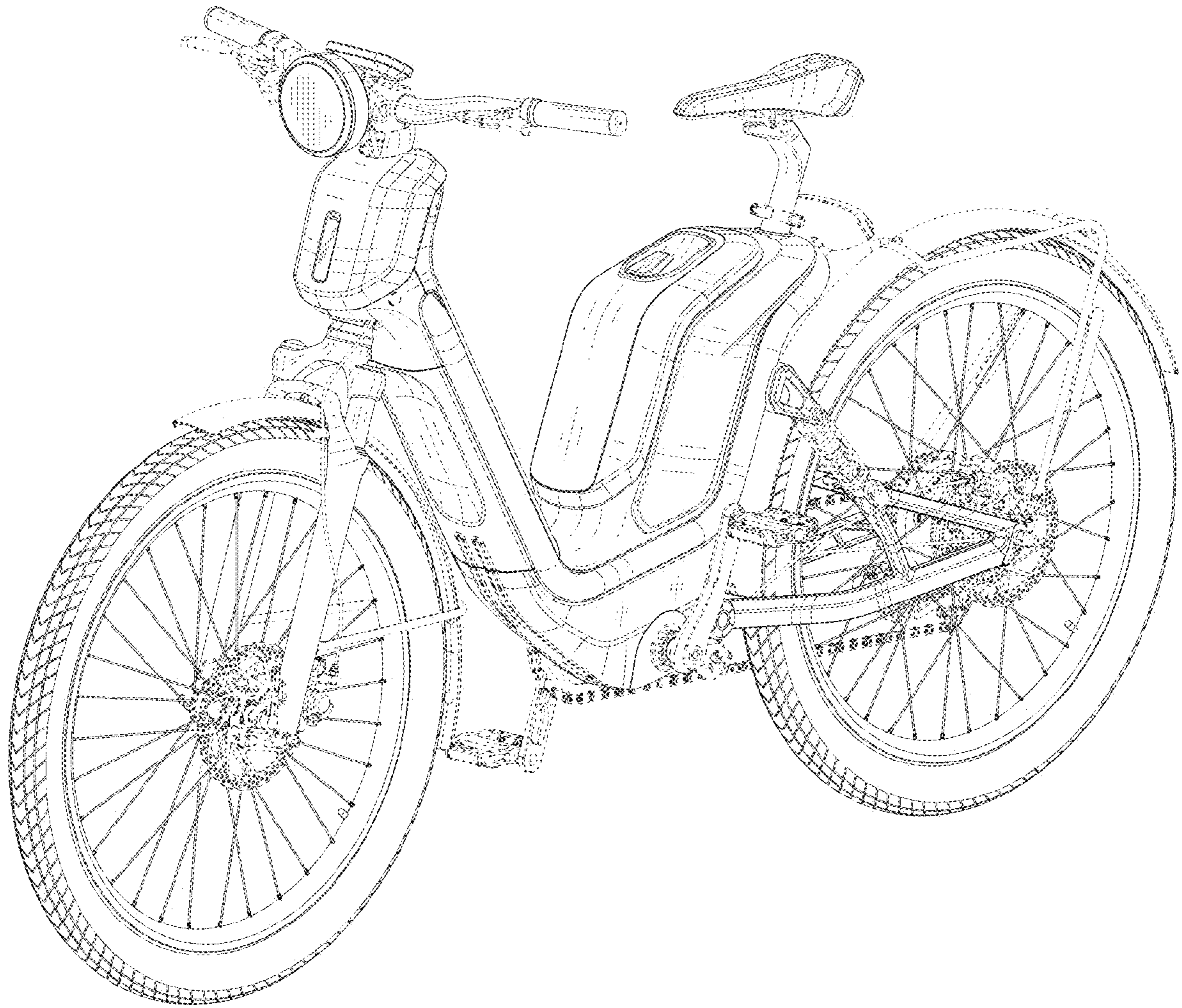


FIG. 7