



US00D940009S

(12) **United States Design Patent** (10) **Patent No.:** **US D940,009 S**
Arru (45) **Date of Patent:** **** Jan. 4, 2022**

(54) **MOTORCYCLE**
(71) Applicant: **PIAGGIO & C. SPA**, Pontedera (IT)
(72) Inventor: **Pietro Arru**, Pontedera (IT)
(73) Assignee: **PIAGGIO & C. S.P.A.**, Pontedera (IT)
(**) Term: **15 Years**
(21) Appl. No.: **35/510,032**

D591,205 S * 4/2009 Heinrich D12/110
D594,786 S * 6/2009 Sakata D12/110
D596,082 S * 7/2009 Ueno D12/110
D597,449 S * 8/2009 Nagao D12/110
D601,458 S * 10/2009 Nagao D12/110
D605,089 S * 12/2009 Tanaka D12/110
D606,457 S * 12/2009 Tanaka D12/110
D611,390 S * 3/2010 Toriyama D12/110
D647,824 S * 11/2011 Kouchi D12/110
D647,825 S * 11/2011 Shibuta D12/110
D670,204 S * 11/2012 Yasuhara D12/110
D688,982 S * 9/2013 Oyanagi D12/110
D689,406 S * 9/2013 Yasuhara D12/110

(Continued)

(22) Filed: **Apr. 9, 2020**

(80) **Hague Agreement Data**

Int. Filing Date: **Apr. 9, 2020**
Int. Reg. No.: **DM/209484**
Int. Reg. Date: **Apr. 9, 2020**
Int. Reg. Pub. Date: **Aug. 7, 2020**

(51) **LOC (13) Cl.** **12-11**

(52) **U.S. Cl.**
USPC **D12/110**

(58) **Field of Classification Search**
USPC D12/110, 111, 117; D21/432, 538
CPC B62K 11/00; B62K 11/02; B62K 11/04;
B62K 11/10; B62K 17/00; B62K 19/00;
B62K 2202/00

See application file for complete search history.

(56) **References Cited**

U.S. PATENT DOCUMENTS

D403,277 S * 12/1998 Kokubu D12/110
D496,309 S * 9/2004 Fukumoto D12/110
D504,844 S * 5/2005 Sasanami D12/110
D549,137 S * 8/2007 Heinrich D12/110
D551,129 S * 9/2007 Takeda D12/110
D567,717 S * 4/2008 Hishiki D12/110
D581,839 S * 12/2008 Sasanami D12/110
D582,316 S * 12/2008 Stenegard D12/110
D582,320 S * 12/2008 Tanaka D12/110
D588,961 S * 3/2009 Tanaka D12/110
D591,204 S * 4/2009 Matsuzawa D12/110

OTHER PUBLICATIONS

News Desk. "Piaggio to enter the bike segment by 2023." The Automotive Blog., Jan. 5, 2021 [online], [retrieved on Sep. 10, 2021], Retrieved from the Internet <URL: <https://theautomotiveblog.com/piaggio-to-enter-the-bike-segment-by-2023/>>.*

(Continued)

Primary Examiner — Darlington Ly

(74) *Attorney, Agent, or Firm* — Cantor Colburn LLP

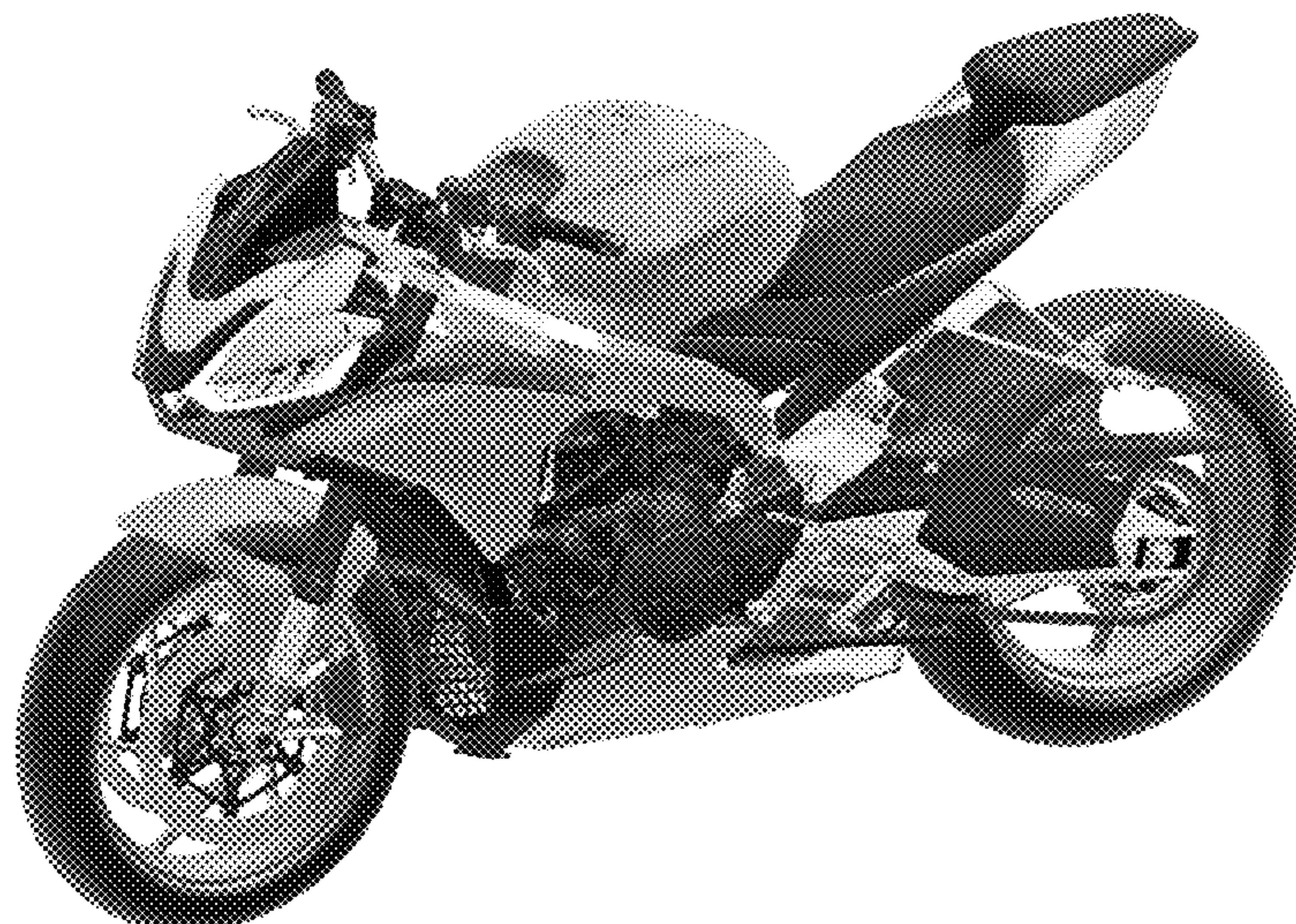
(57) **CLAIM**

The ornamental design for a motorcycle, as shown and described.

DESCRIPTION

1. Motorcycle
- 1.1 is a front and left side perspective view of a motorcycle embodying my new design;
- 1.2 is a front elevation view thereof;
- 1.3 is a rear elevation view thereof;
- 1.4 is a left side elevation view thereof;
- 1.5 is a right side elevation view thereof;
- 1.6 is a top plan view thereof;
- 1.7 is a rear and right side perspective view thereof;
- 1.8 is a front and right side perspective view thereof; and
- 1.9 is a rear and left side perspective view thereof.

1 Claim, 9 Drawing Sheets



(56)

References Cited

U.S. PATENT DOCUMENTS

D694,673 S * 12/2013 Katagiri D12/110
 8,807,259 B2 * 8/2014 Tominaga B60G 17/016
 180/219
 8,827,024 B1 * 9/2014 Sumi B62M 9/16
 180/227
 D723,431 S * 3/2015 Noguchi D12/110
 D755,084 S * 5/2016 Sakata D12/110
 D755,682 S * 5/2016 Hahn-Woernle D12/110
 D756,268 S * 5/2016 Yamada D12/110
 D758,923 S * 6/2016 Yamada D12/110
 D795,746 S * 8/2017 Akita D12/110
 D797,002 S * 9/2017 Toyama D12/110
 D801,230 S * 10/2017 Endo D12/110
 D884,562 S * 5/2020 Usami D12/110
 2012/0318598 A1 * 12/2012 Fujiyama B62J 25/00
 180/219
 2014/0084565 A1 * 3/2014 Nakamura B62K 25/286
 280/284
 2015/0101875 A1 * 4/2015 Inayama B62K 11/06
 180/225

OTHER PUBLICATIONS

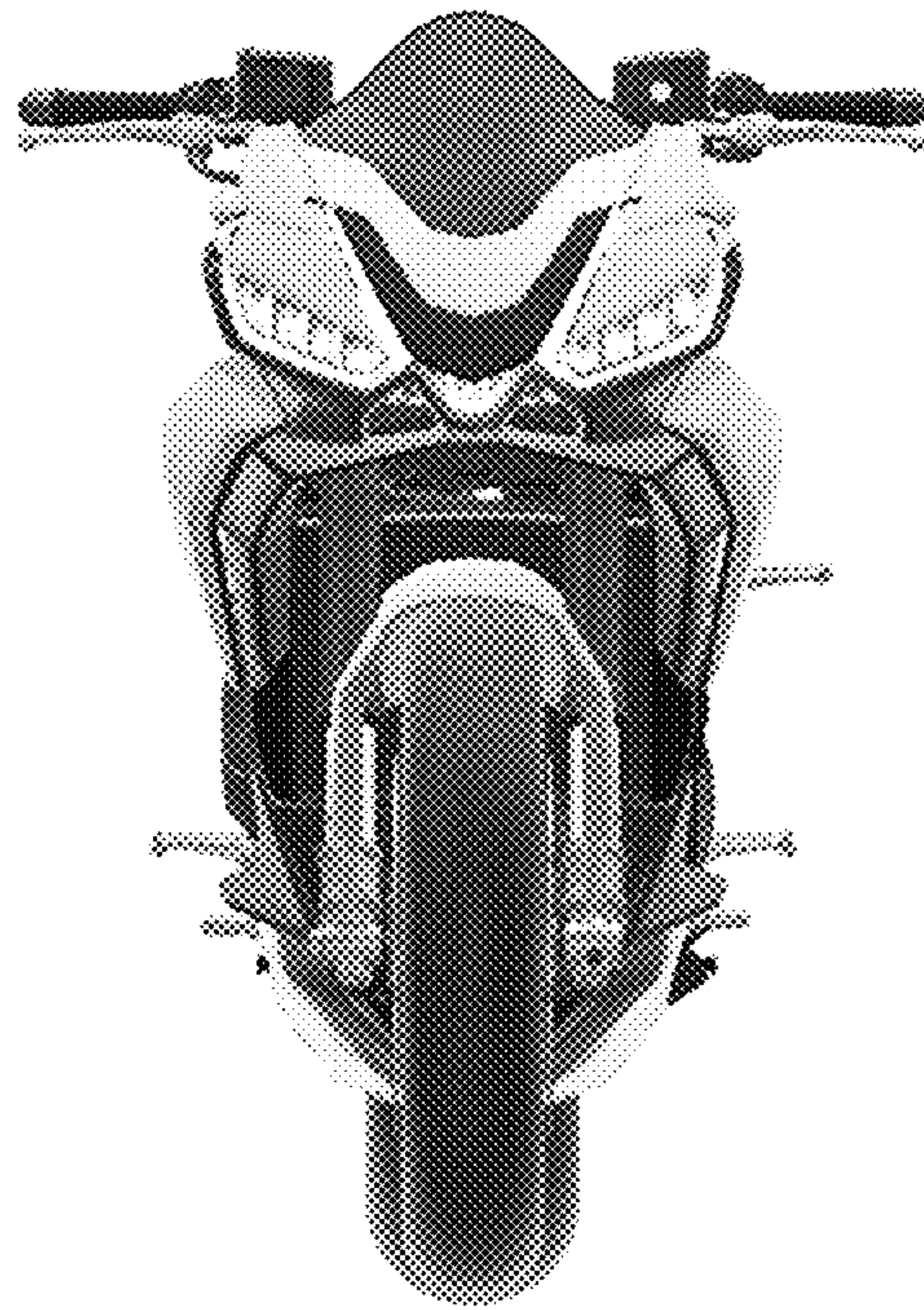
“YZF-R1M—Yamaha Motorsports.” Yamaha., Oct. 8, 2015 [online],
 [retrieved on Sep. 10, 2021]. Retrieved from the Internet <URL:
https://irp-cdn.multiscreensite.com/6ca5070f/files/uploaded/2017_yamaha_YZF-R1M%20Specs.pdf>.*
 “2019 Sport Motorcycles.” Motorcycle.com., Jun. 19, 2007 [online],
 [retrieved on Sep. 10, 2021]. Retrieved from the Internet <URL:
<https://www.motorcycle.com/specs/sport/2019.html>>.*
 Preetam Bora. “EICMA 2019: Aprilia RS 660 Unveiled.” Car and
 Bike., Nov. 5, 2019 [online], [retrieved on Sep. 10, 2021]. Retrieved
 from the Internet <URL: <https://www.carandbike.com/news/eicma-2019-aprilia-rs-660-unveiled-2127824>>.*

* cited by examiner

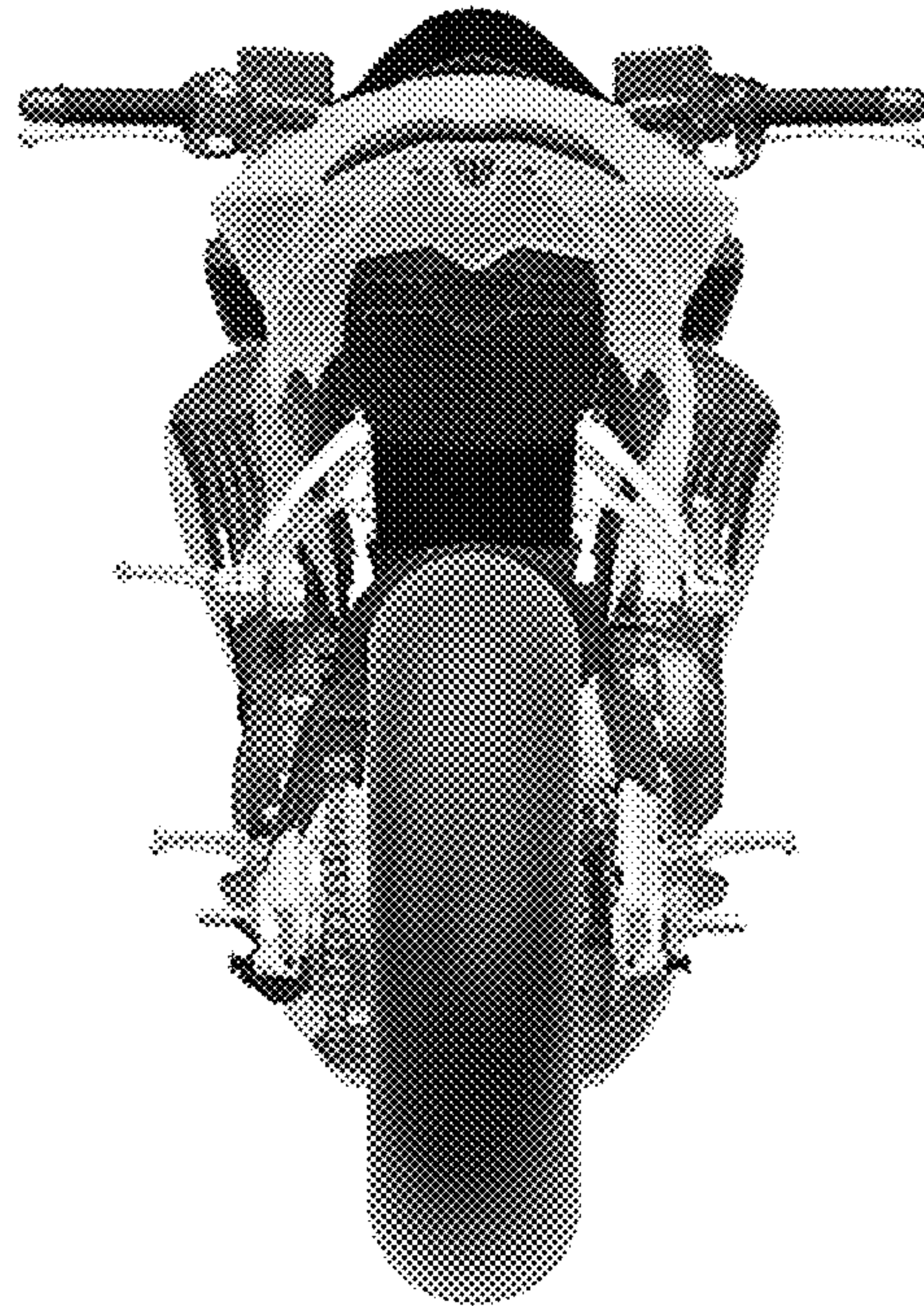
1.1



1.2



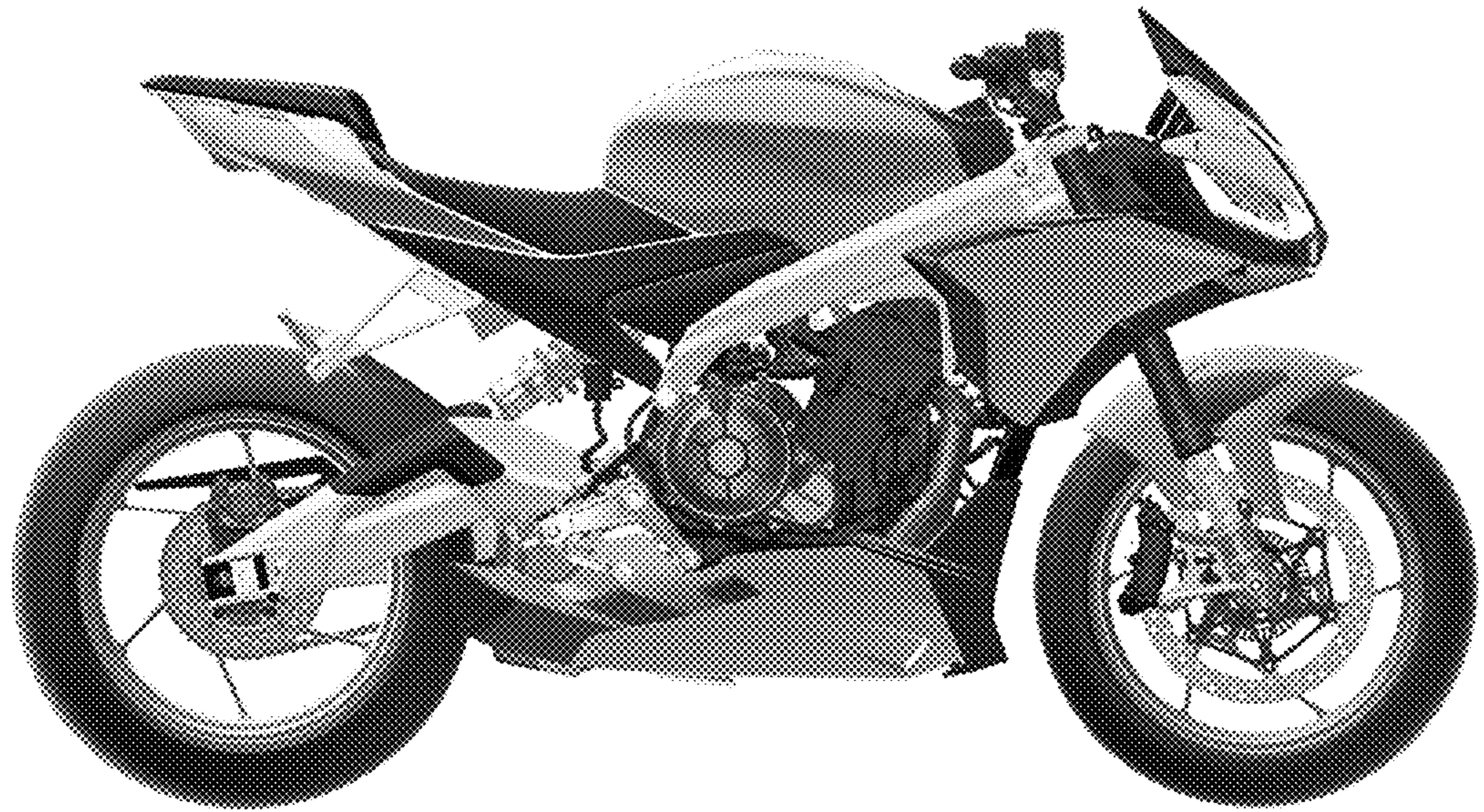
1.3



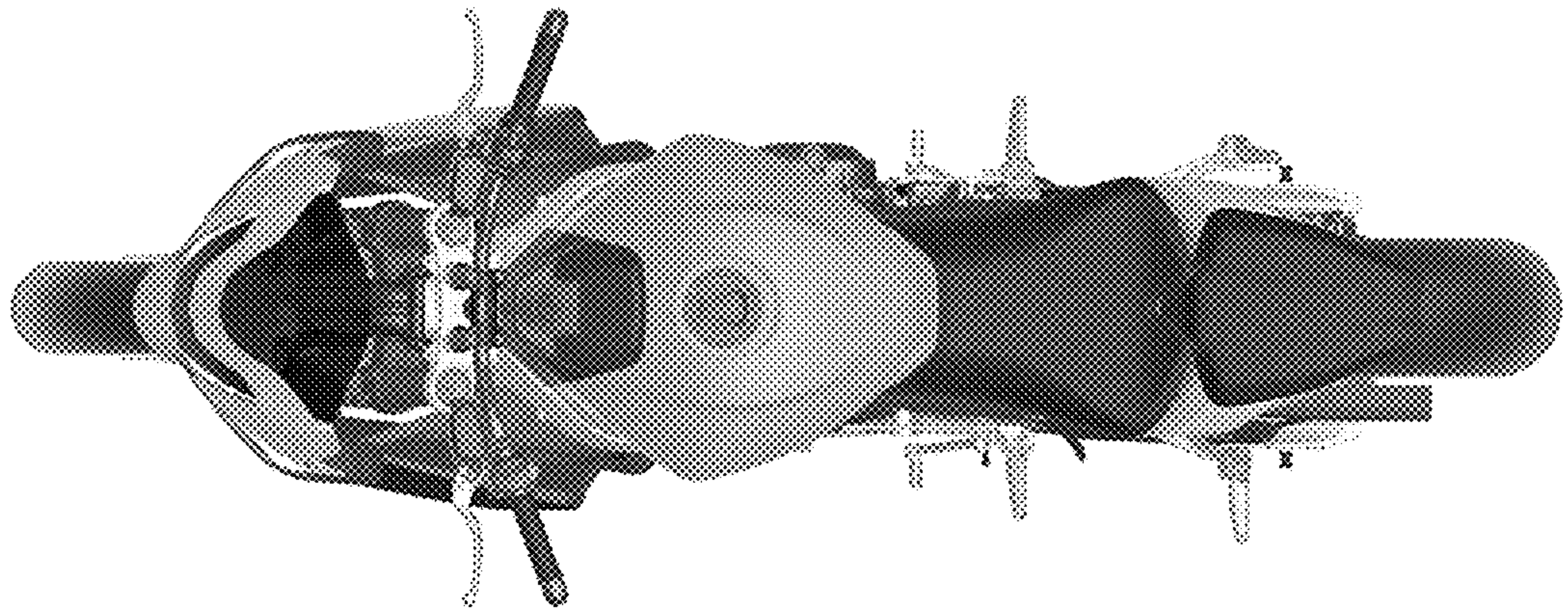
1.4



1.5



1.6



1.7



1.8



1.9

