



US00D940008S

(12) **United States Design Patent**  
**Lou et al.**

(10) **Patent No.:** **US D940,008 S**  
(45) **Date of Patent:** **\*\* Jan. 4, 2022**

(54) **TWO-WHEEL DRIVE OFF-ROAD MOTORCYCLE**  
(71) Applicant: **ZHEJIANG TAOTAO VEHICLES CO., LTD.**, Lishui (CN)  
(72) Inventors: **Guidong Lou**, Lishui (CN); **Jie Xu**, Lishui (CN); **Hongxia Zhu**, Lishui (CN); **Weihao Liu**, Lishui (CN); **Hang Ye**, Lishui (CN)  
(73) Assignee: **ZHEJIANG TAOTAO VEHICLES CO., LTD.**, Lishui (CN)  
(\*\*) Term: **15 Years**  
(21) Appl. No.: **29/747,273**  
(22) Filed: **Aug. 20, 2020**  
(30) **Foreign Application Priority Data**

Jun. 9, 2020 (CN) ..... 202030287625.7  
Jun. 9, 2020 (CN) ..... 202030288033.7

(51) **LOC (13) Cl.** ..... **12-11**  
(52) **U.S. Cl.**  
USPC ..... **D12/110**  
(58) **Field of Classification Search**  
USPC ..... D12/110, 111, 117; D21/432, 538  
CPC ..... B62K 11/00; B62K 11/02; B62K 11/04;  
B62K 11/10; B62K 17/00; B62K 19/00;  
B62K 2202/00  
See application file for complete search history.

(56) **References Cited**  
**U.S. PATENT DOCUMENTS**  
D430,822 S \* 9/2000 Sakaguchi ..... D12/110  
D482,639 S \* 11/2003 Yamamoto ..... D12/110  
D645,791 S \* 9/2011 Lee ..... D12/110  
D685,682 S \* 7/2013 Matsumura ..... D12/110  
D689,798 S \* 9/2013 Patterson ..... D12/111

D724,496 S \* 3/2015 Takeda ..... D12/110  
D735,086 S \* 7/2015 Talios ..... D12/110  
D735,087 S \* 7/2015 Iimura ..... D12/110  
D738,260 S \* 9/2015 Akita ..... D12/110  
D754,567 S \* 4/2016 Iimura ..... D12/110  
D798,195 S \* 9/2017 Yu ..... D12/110  
D803,103 S \* 11/2017 Clyde ..... D12/110  
D824,290 S \* 7/2018 Sukkar ..... D12/110  
D854,456 S \* 7/2019 Li ..... D12/110  
(Continued)

**OTHER PUBLICATIONS**

“DB100” Tao Motor., posted date May 26, 2021 [online], [retrieved on Sep. 22, 2021]. Retrieved from the Internet <URL: https://taomotor.com/products/mini-bikes/db100/> (Year: 2021).  
(Continued)

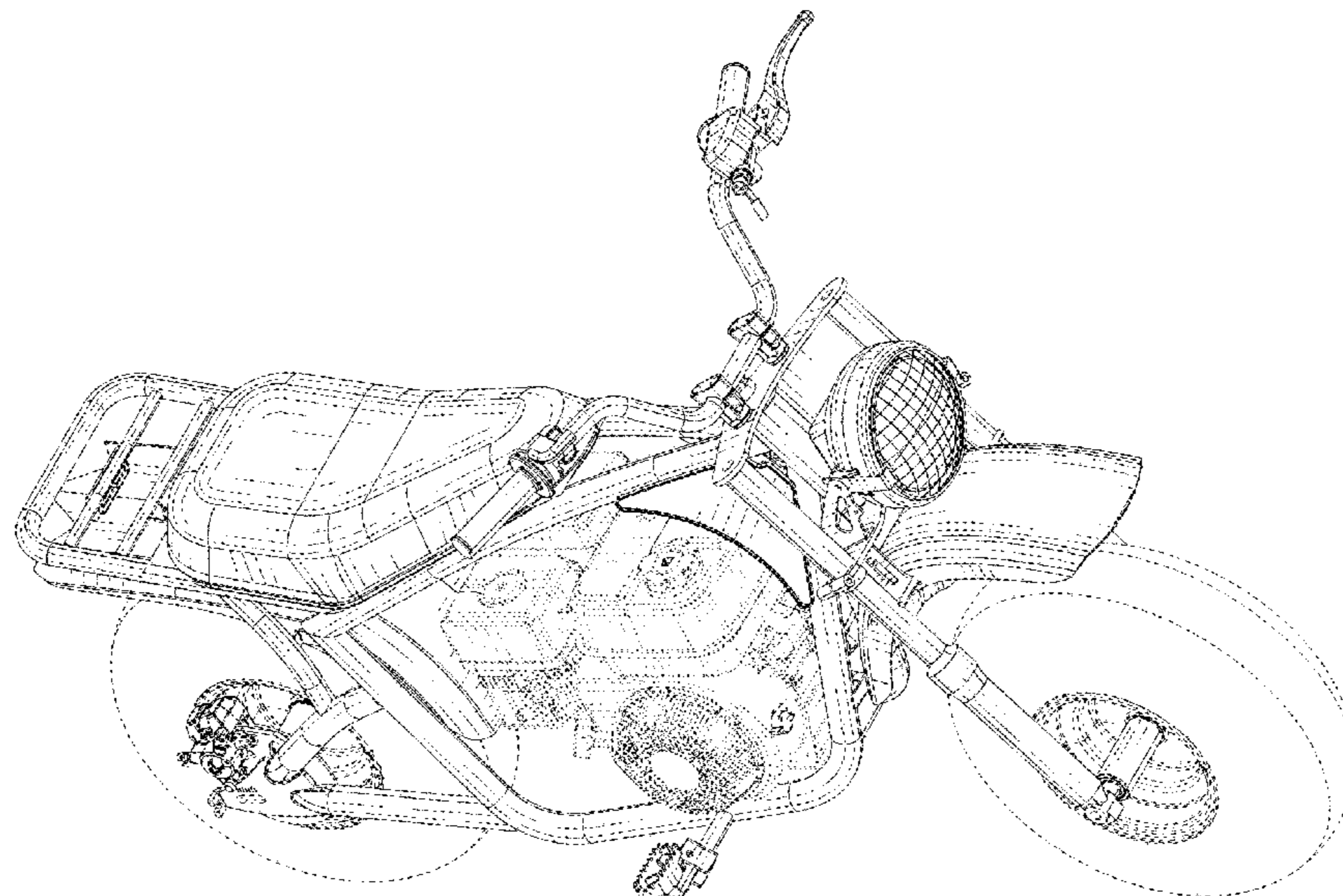
*Primary Examiner* — Darlington Ly  
*Assistant Examiner* — Nasim Abdulaziz Ali  
(74) *Attorney, Agent, or Firm* — Schwegman Lundberg & Woessner, P.A.

(57) **CLAIM**  
The ornamental design for a two-wheel drive off-road motorcycle, as shown and described.

**DESCRIPTION**

FIG. 1 is a front perspective view of a two-wheel drive off-road motorcycle embodying our new design;  
FIG. 2 is a front elevation view thereof;  
FIG. 3 is a rear elevation view thereof;  
FIG. 4 is a right side elevation view thereof;  
FIG. 5 is a left side elevation view thereof;  
FIG. 6 is a top plan view thereof;  
FIG. 7 is a bottom plan view thereof; and,  
FIG. 8 is a rear perspective view thereof.  
The portions of the two-wheel drive off-road motorcycle shown in broken lines form no part of the claimed design.

**1 Claim, 8 Drawing Sheets**



(56)

**References Cited**

U.S. PATENT DOCUMENTS

D864,795 S \* 10/2019 Waters ..... D12/110  
D920,848 S \* 6/2021 Kuehne ..... D12/110

OTHER PUBLICATIONS

DB200 Tao Motor., posted date May 26, 2021 [online], [retrieved on Sep. 22, 2021]. Retrieved from the Internet <URL: <https://taomotor.com/products/mini-bikes/db200/>> (Year: 2021).\*

“TaoTao DB200 196cc Dirt Bike, Automatic” Tao Motor., posted date Jun. 30, 2019 [online], [retrieved on Sep. 22, 2021]. Retrieved from the Internet <URL: <https://affordableatv.com/taotao-db200-196cc-dirt-bike-automatic/>> (Year: 2019).\*

\* cited by examiner



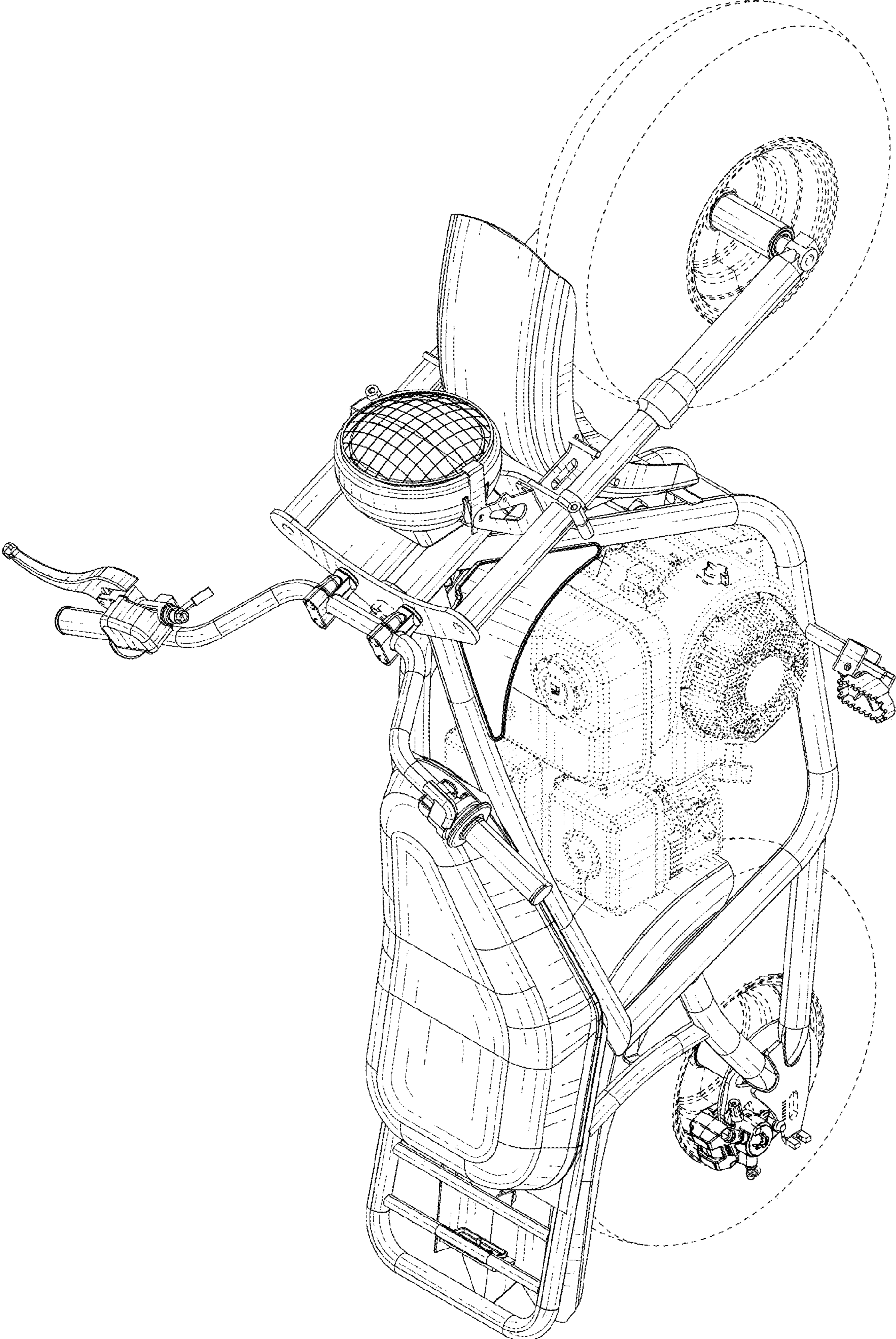


FIG. 1

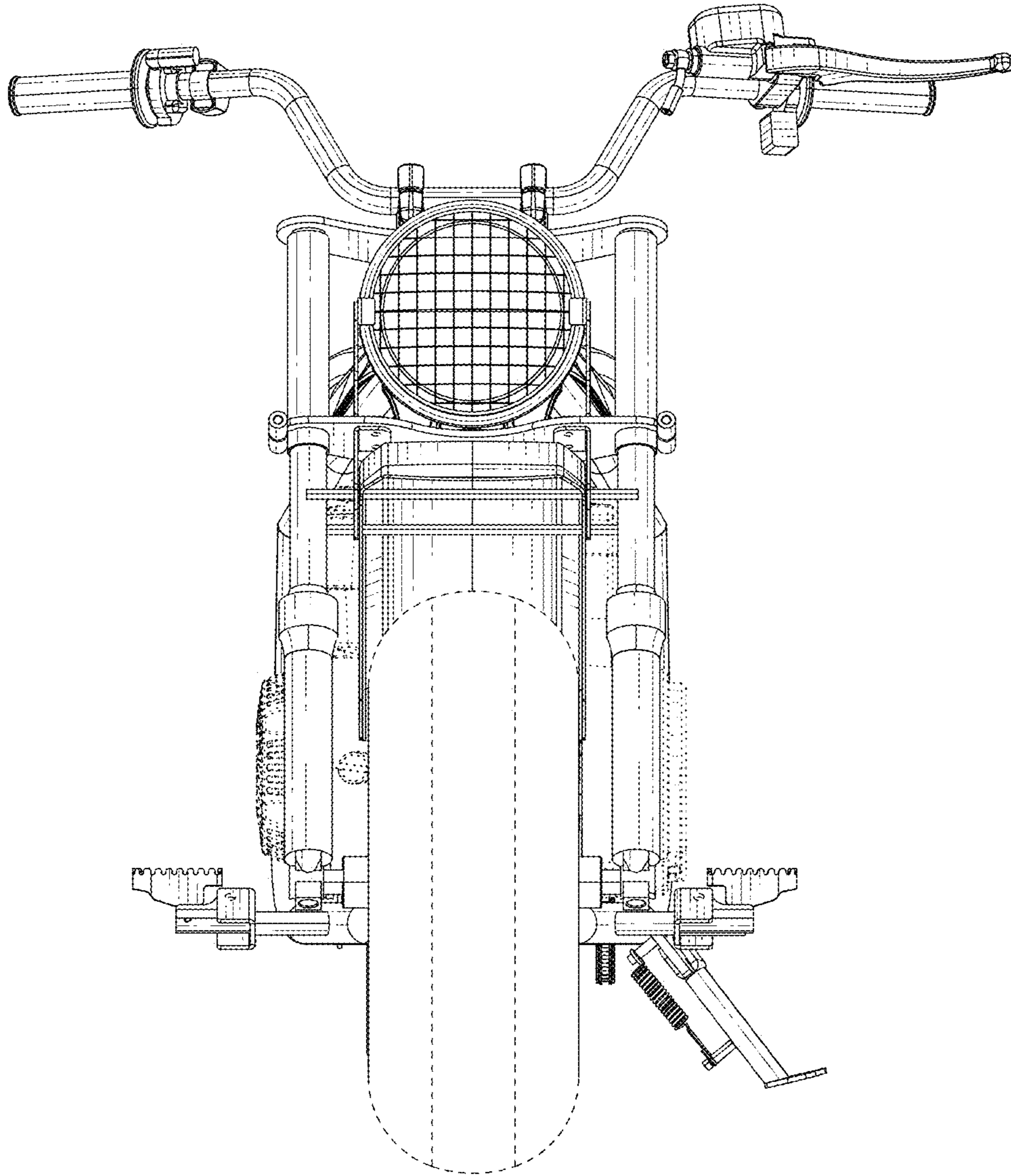


FIG. 2

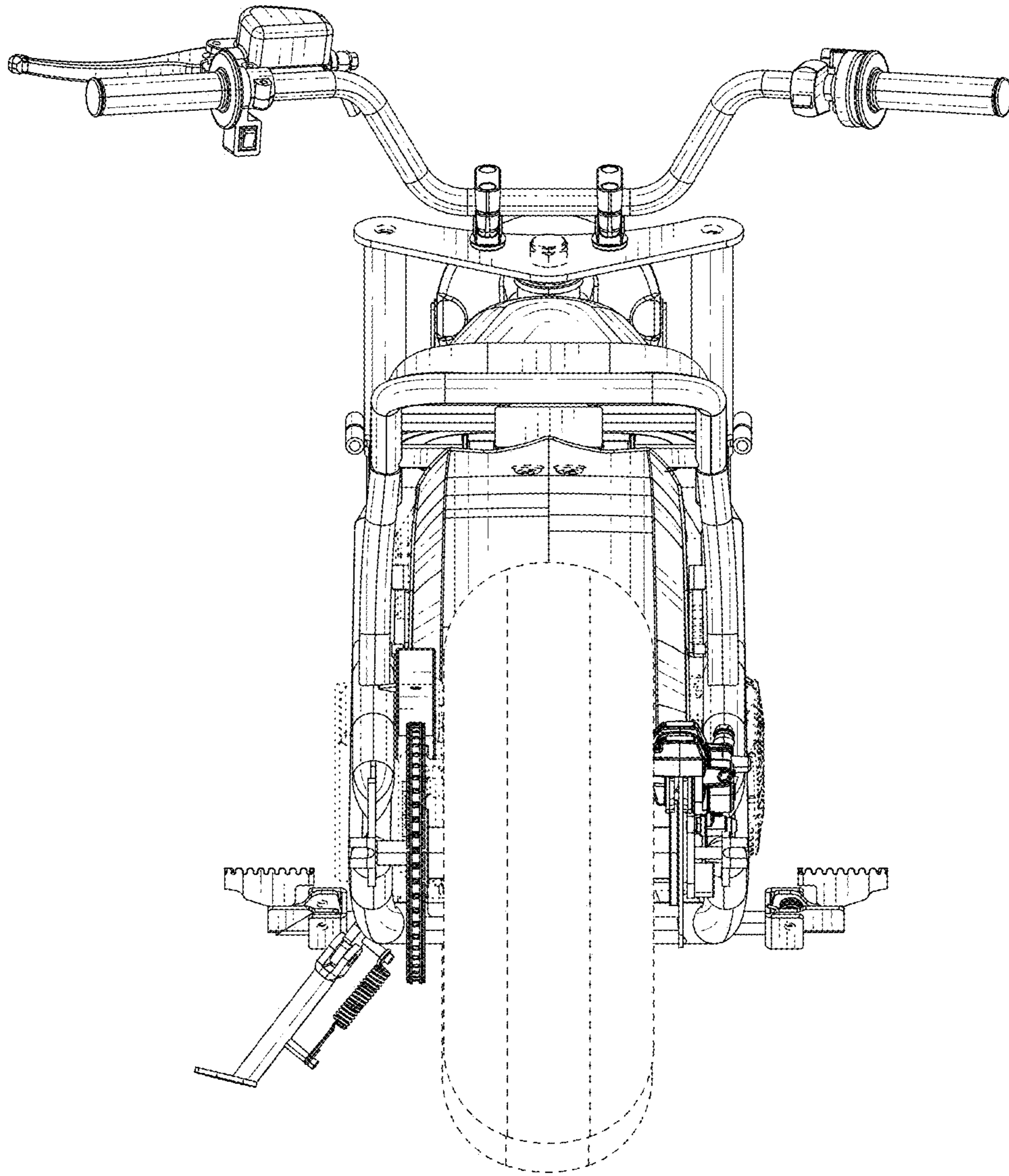


FIG. 3



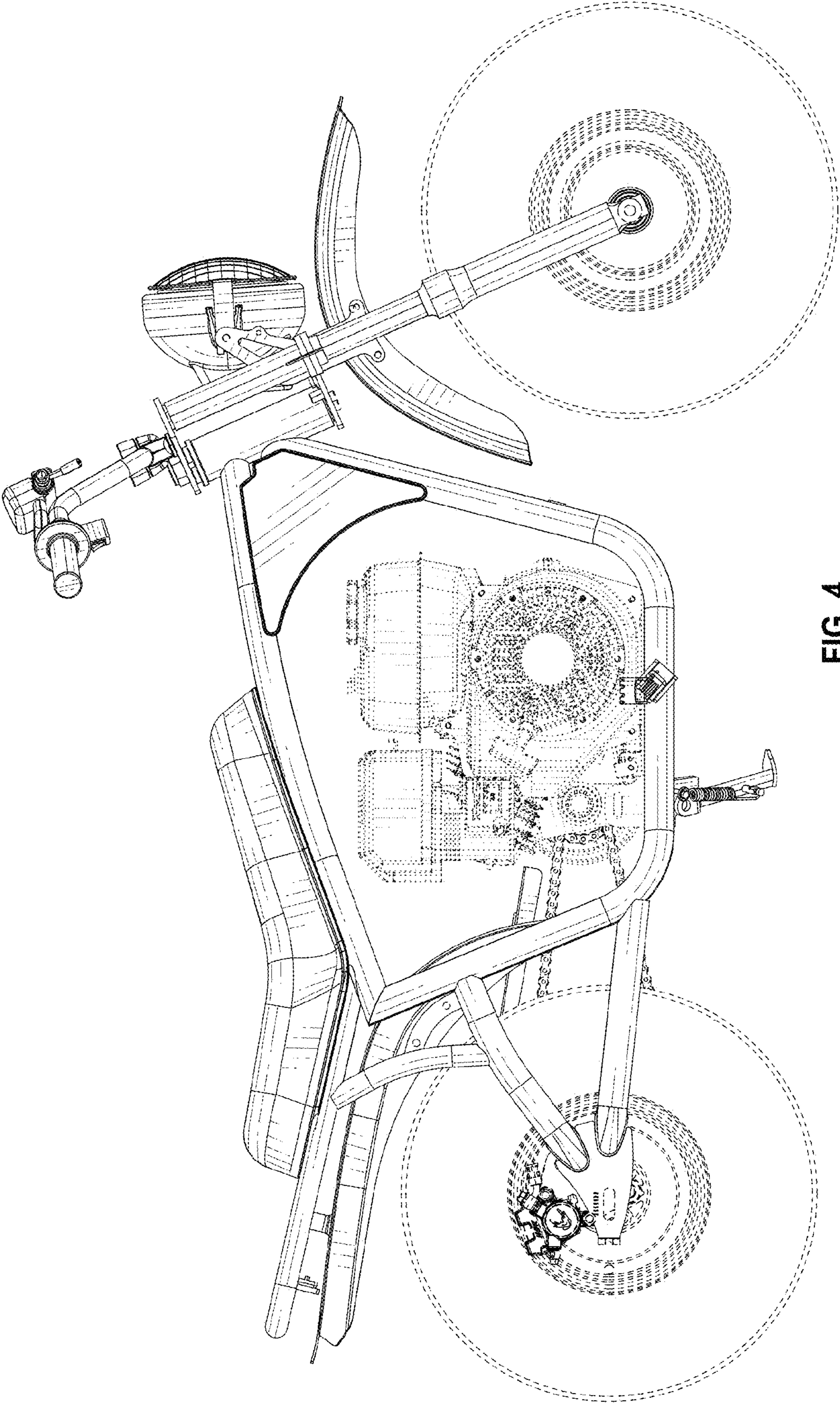


FIG. 4

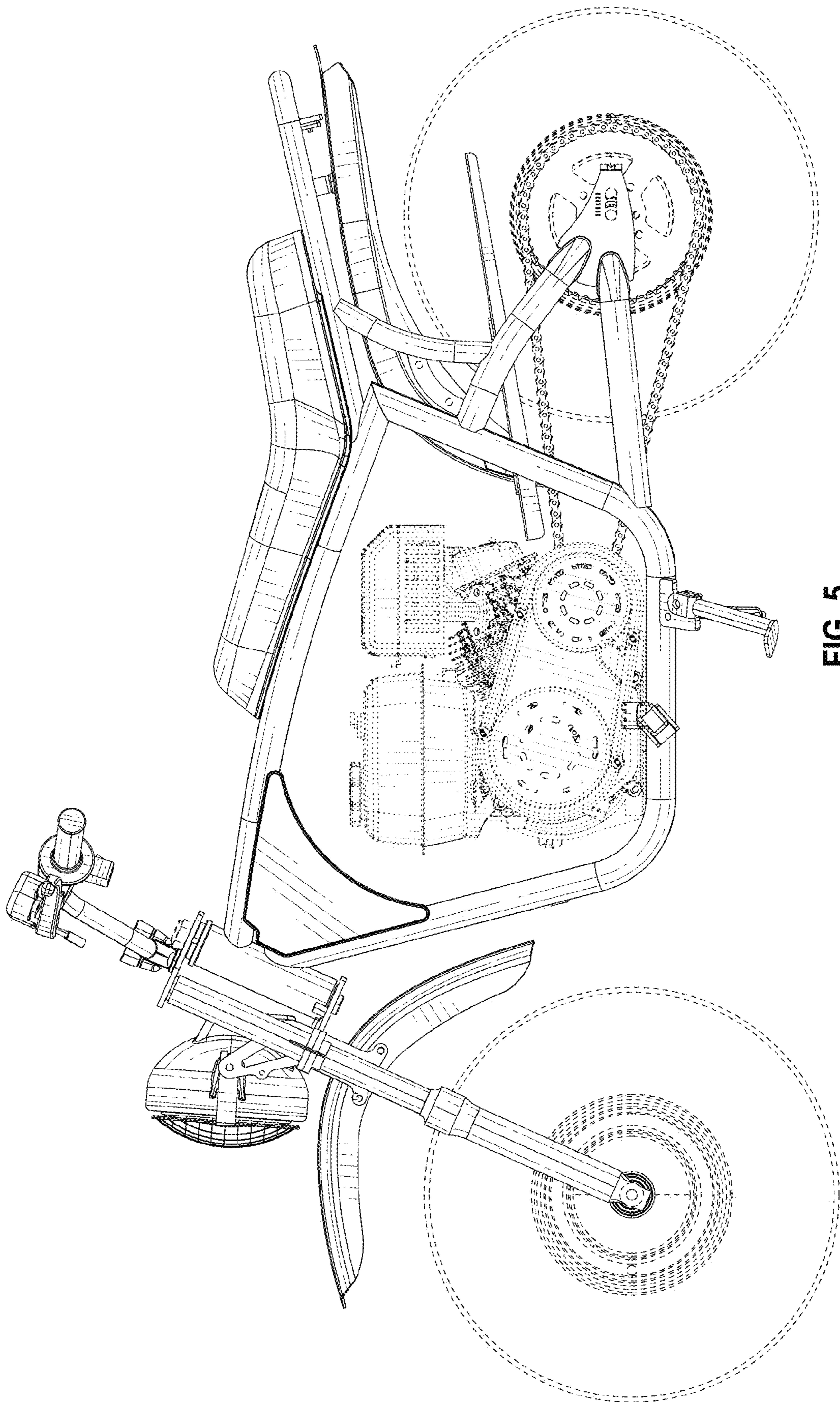


FIG. 5



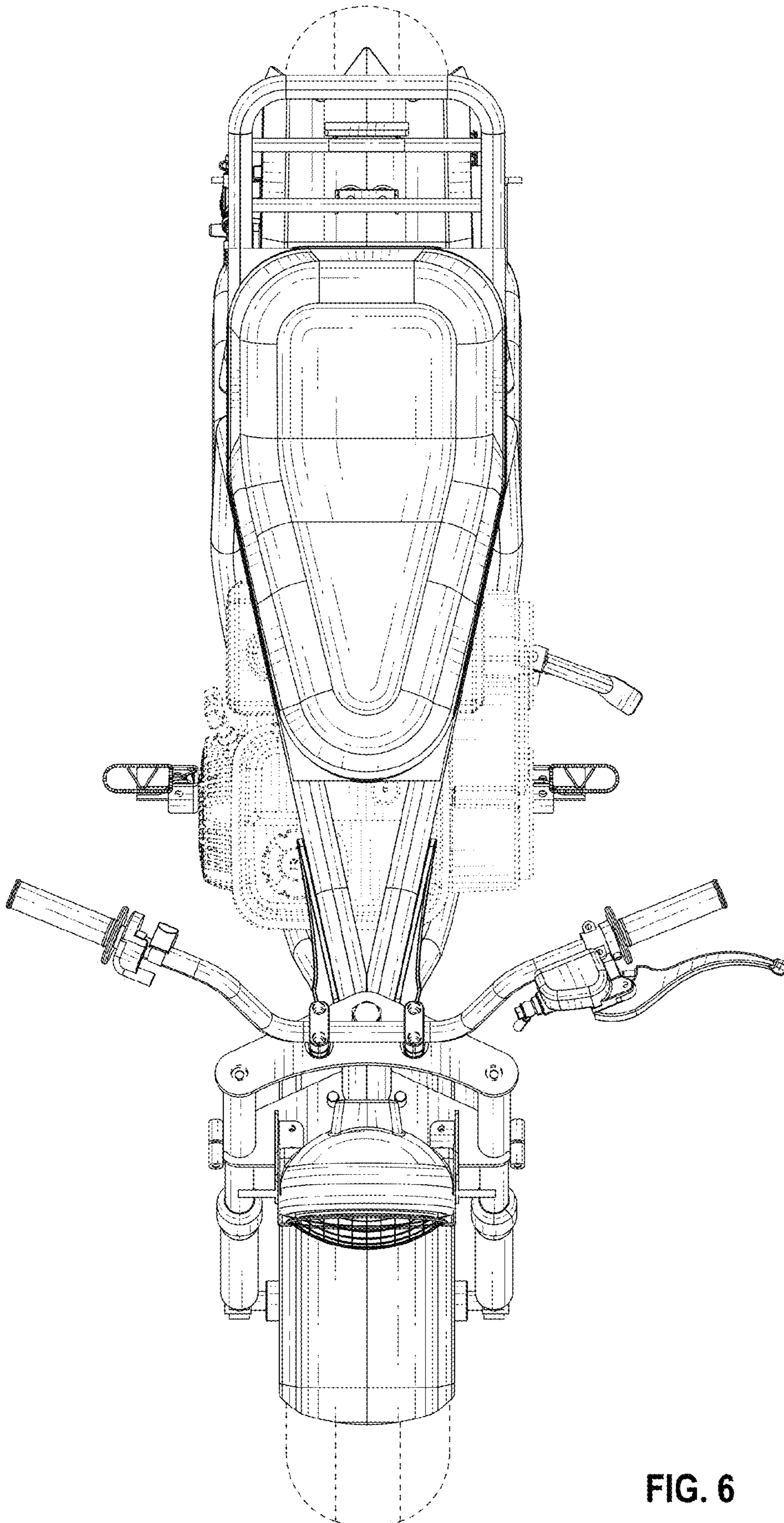


FIG. 6



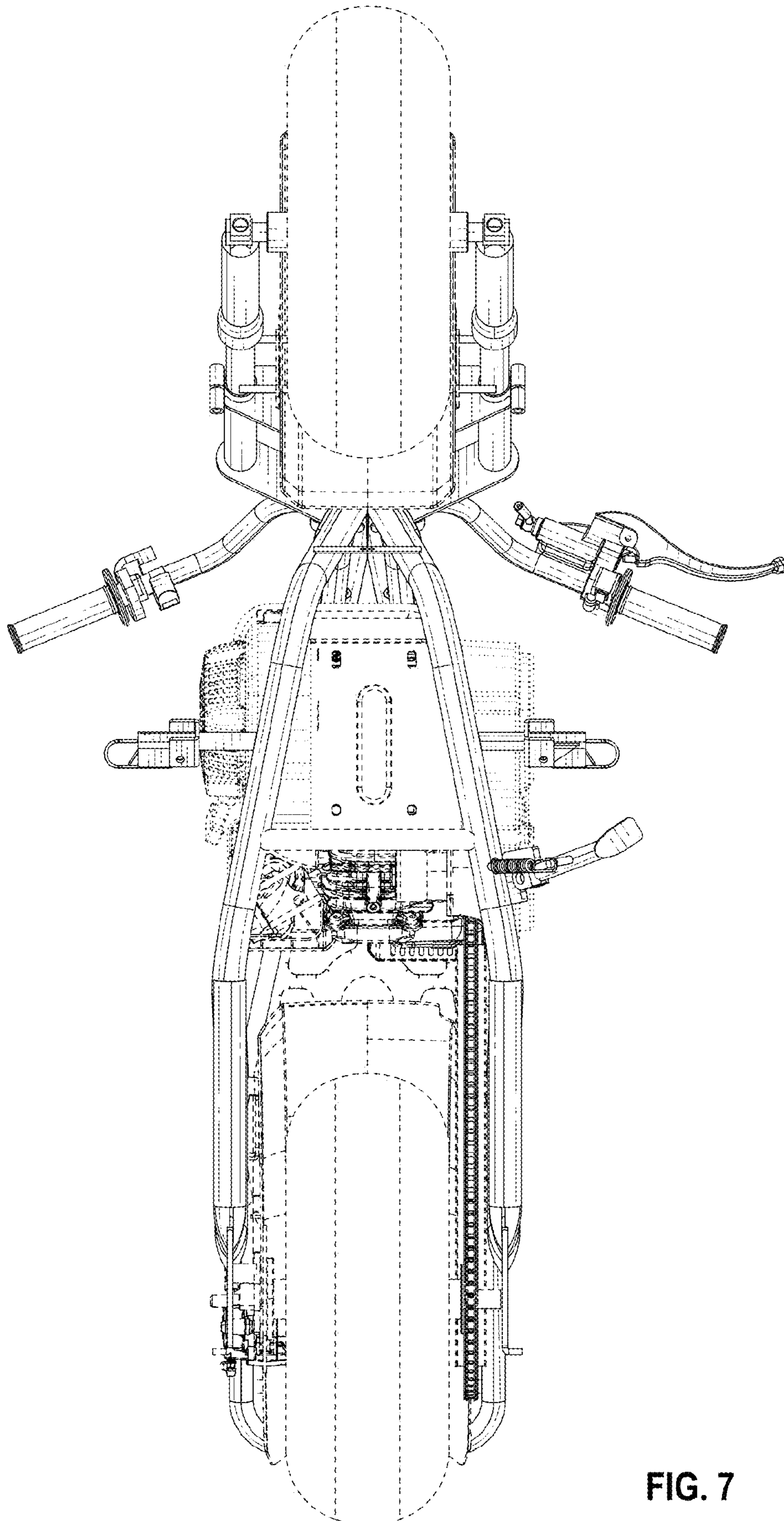


FIG. 7

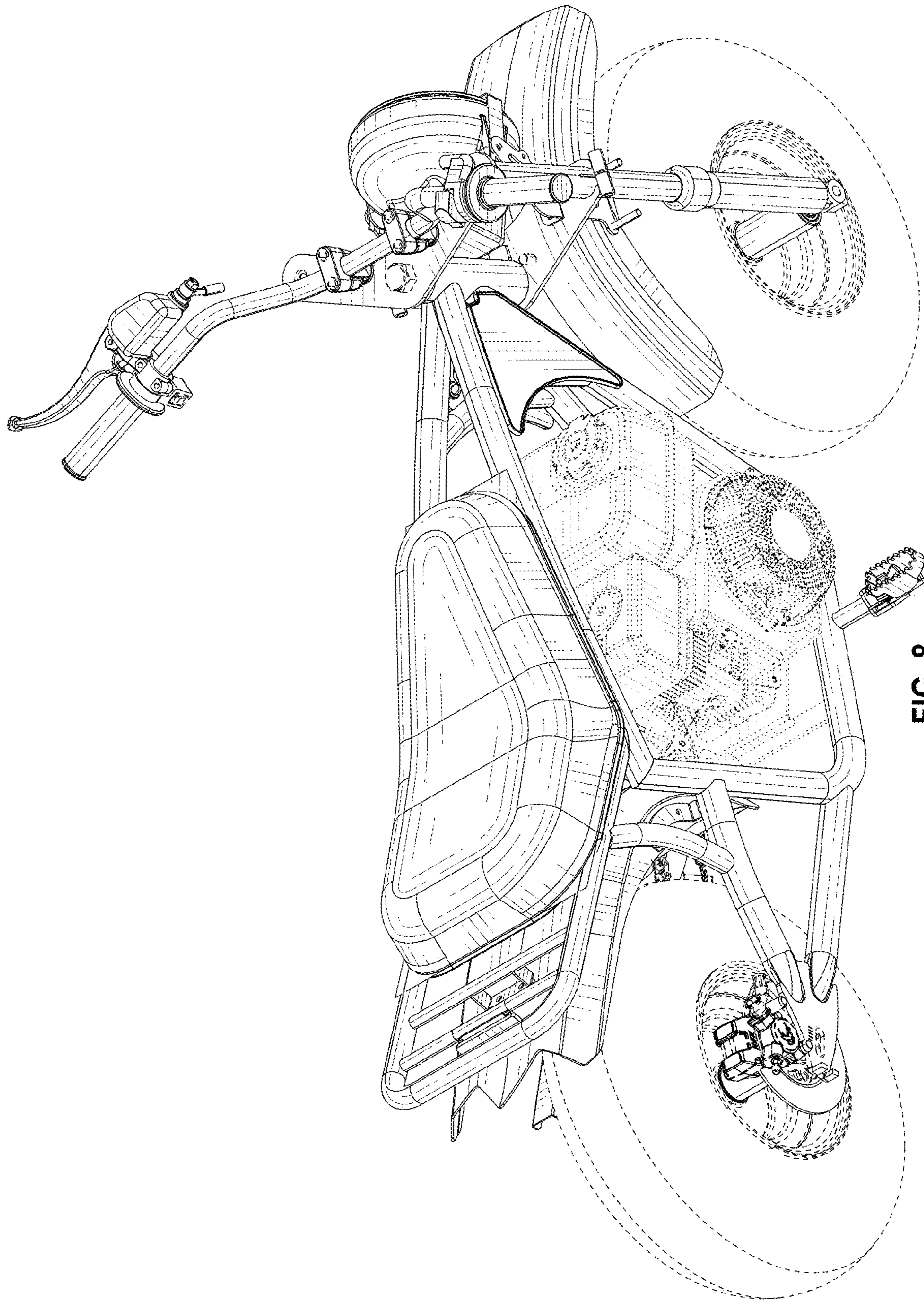


FIG. 8