



US00D940007S

(12) **United States Design Patent**
Mickler et al.

(10) **Patent No.:** **US D940,007 S**
(45) **Date of Patent:** **** Jan. 4, 2022**

- (54) **TRAILER BLOCK FOR AN ELECTRICAL DISCONNECT**
- (71) Applicant: **Rockwell Automation Technologies, Inc.**, Mayfield Heights, OH (US)
- (72) Inventors: **Kurt R. Mickler**, Waukesha, WI (US); **Douglas R. Berger**, Milwaukee, WI (US); **Robert G. Rushmer**, Wauwatosa, WI (US); **Ganesh B. Gaikwad**, Milwaukee, WI (US)
- (73) Assignee: **Rockwell Automation Technologies, Inc.**, Mayfield Heights, OH (US)
- (**) Term: **15 Years**
- (21) Appl. No.: **29/675,933**
- (22) Filed: **Jan. 7, 2019**
- (51) **LOC (13) Cl.** **12-16**
- (52) **U.S. Cl.**
USPC **D12/106**
- (58) **Field of Classification Search**
USPC D12/100–106, 19, 129, 111, 112, 162;
D21/425, 435; D34/21–26, 12, 16–19, 31
CPC B62D 35/02; B62D 35/00; A62B 3/005;
B60P 3/10; B60P 3/1033
See application file for complete search history.

7,331,792 B2 *	2/2008	Cummings	H01R 13/5213	439/166
D685,745 S *	7/2013	Lee	D13/155	
D733,535 S *	7/2015	Egami	D8/356	
D756,937 S *	5/2016	Landqvist	D13/155	
D807,830 S *	1/2018	Curtis	D13/139.2	
D864,792 S *	10/2019	Olsen	D12/106	
D864,793 S *	10/2019	Olsen	D12/106	
D868,635 S *	12/2019	Angel	D12/106	
D873,179 S *	1/2020	McCuskey	D12/106	
D873,180 S *	1/2020	McCuskey	D12/106	
D928,065 S *	8/2021	McGugan	D12/217	

* cited by examiner

Primary Examiner — Katrina A Betton
(74) *Attorney, Agent, or Firm* — Fletcher Yoder, P.C.

(57) **CLAIM**

The ornamental design for a trailer block for an electrical disconnect, as shown and described.

DESCRIPTION

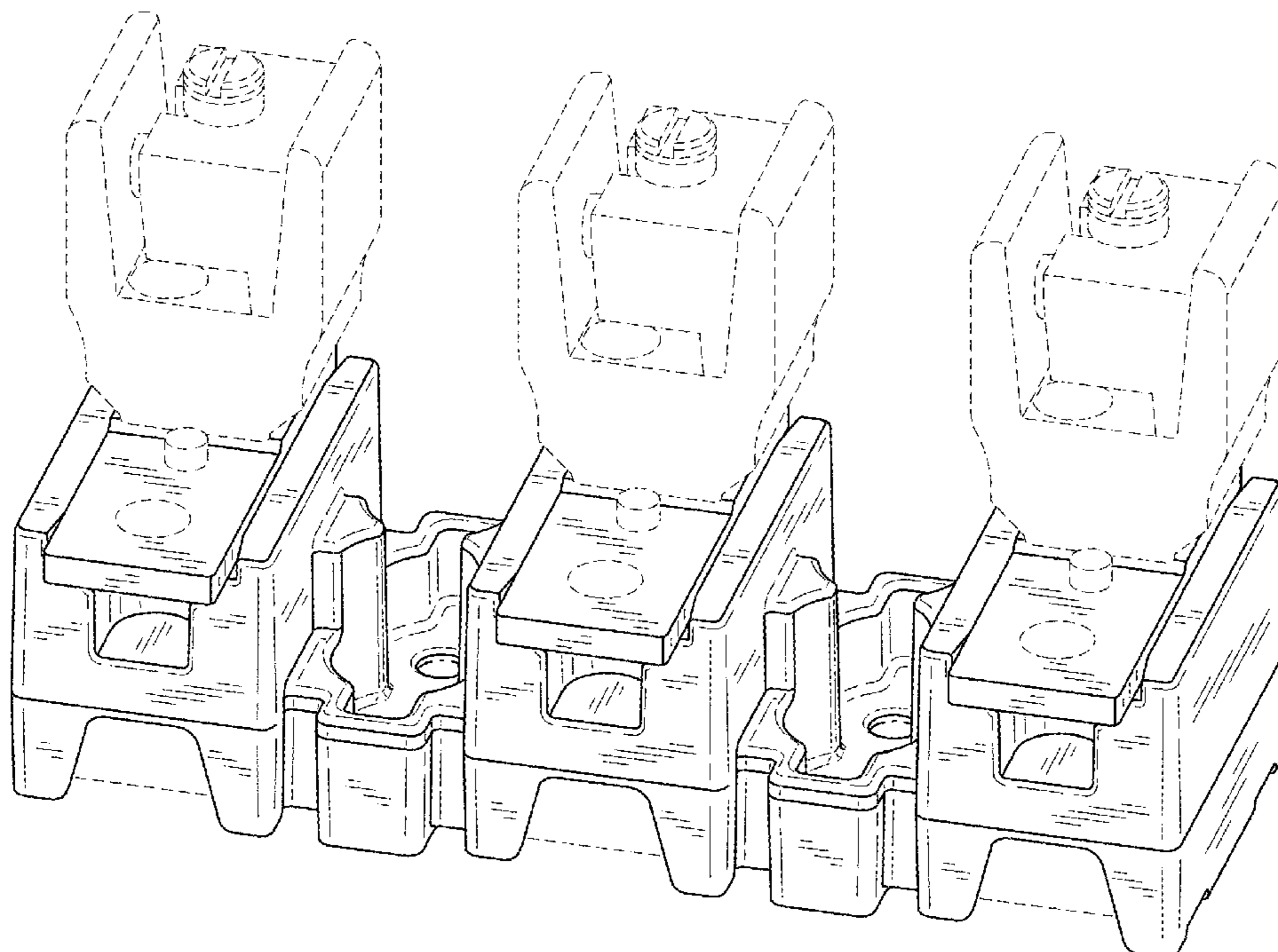
FIG. 1 illustrates a perspective view of the design for the trailer block, wherein parts of the system are shown in broken lines for illustrative purposes; FIG. 2 illustrates a front view set forth in FIG. 1; FIG. 3 illustrates a rear view set forth in FIG. 1; FIG. 4 illustrates a left plan view set forth in FIG. 1; FIG. 5 illustrates a right plan view set forth in FIG. 1; FIG. 6 illustrates a top plan view set forth in FIG. 1; and, FIG. 7 illustrates a bottom plan view set forth in FIG. 1. In this drawing, the solid lines illustrate the claimed ornamental design, whereas the broken lines illustrate environmental features that form no part of the claimed ornamental design of the subject embodiment.

1 Claim, 6 Drawing Sheets

(56) **References Cited**

U.S. PATENT DOCUMENTS

6,558,167 B2 *	5/2003	Harmon	B60T 17/00	439/35
D490,293 S *	5/2004	Brown	D8/354	



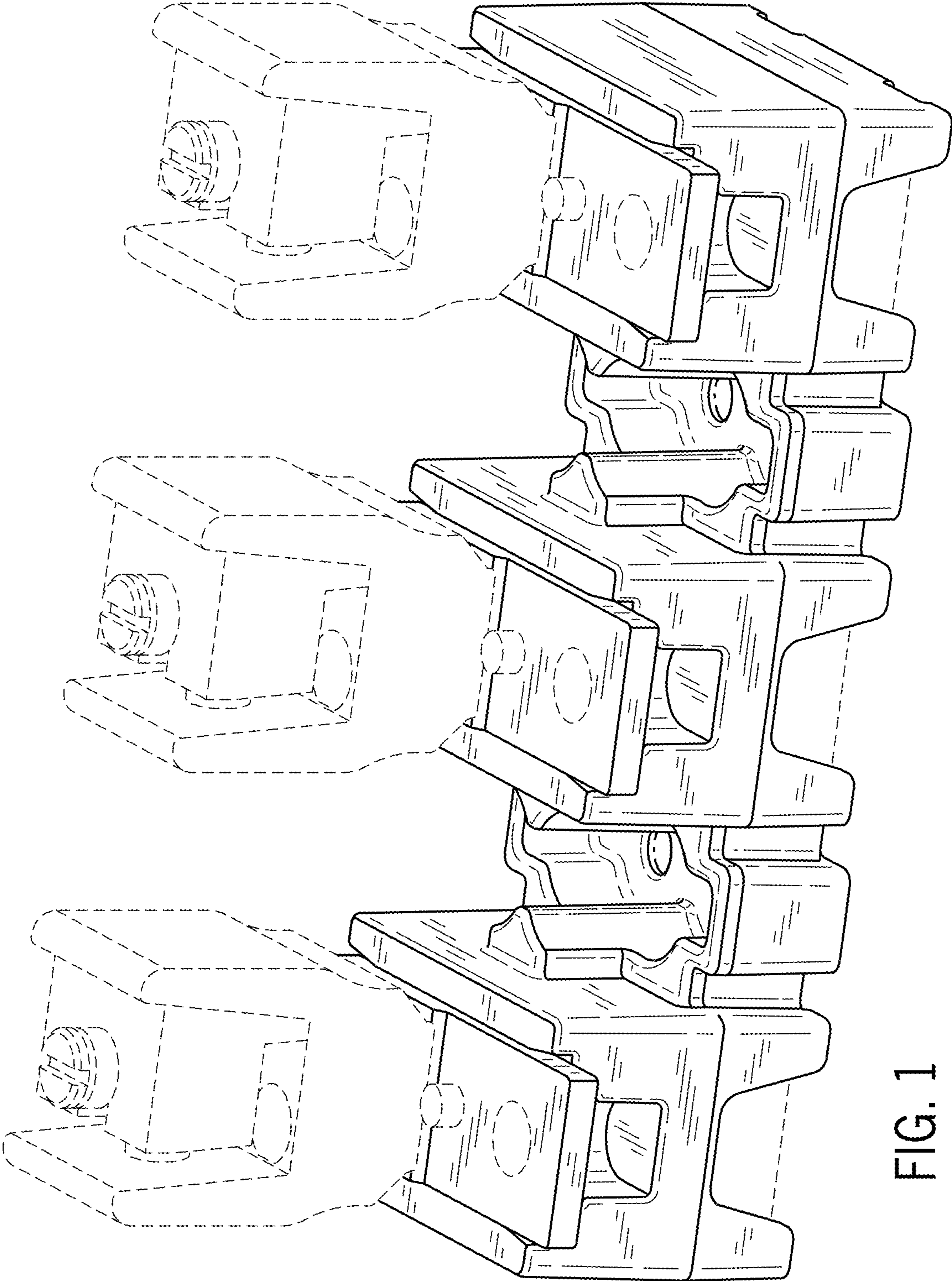


FIG. 1

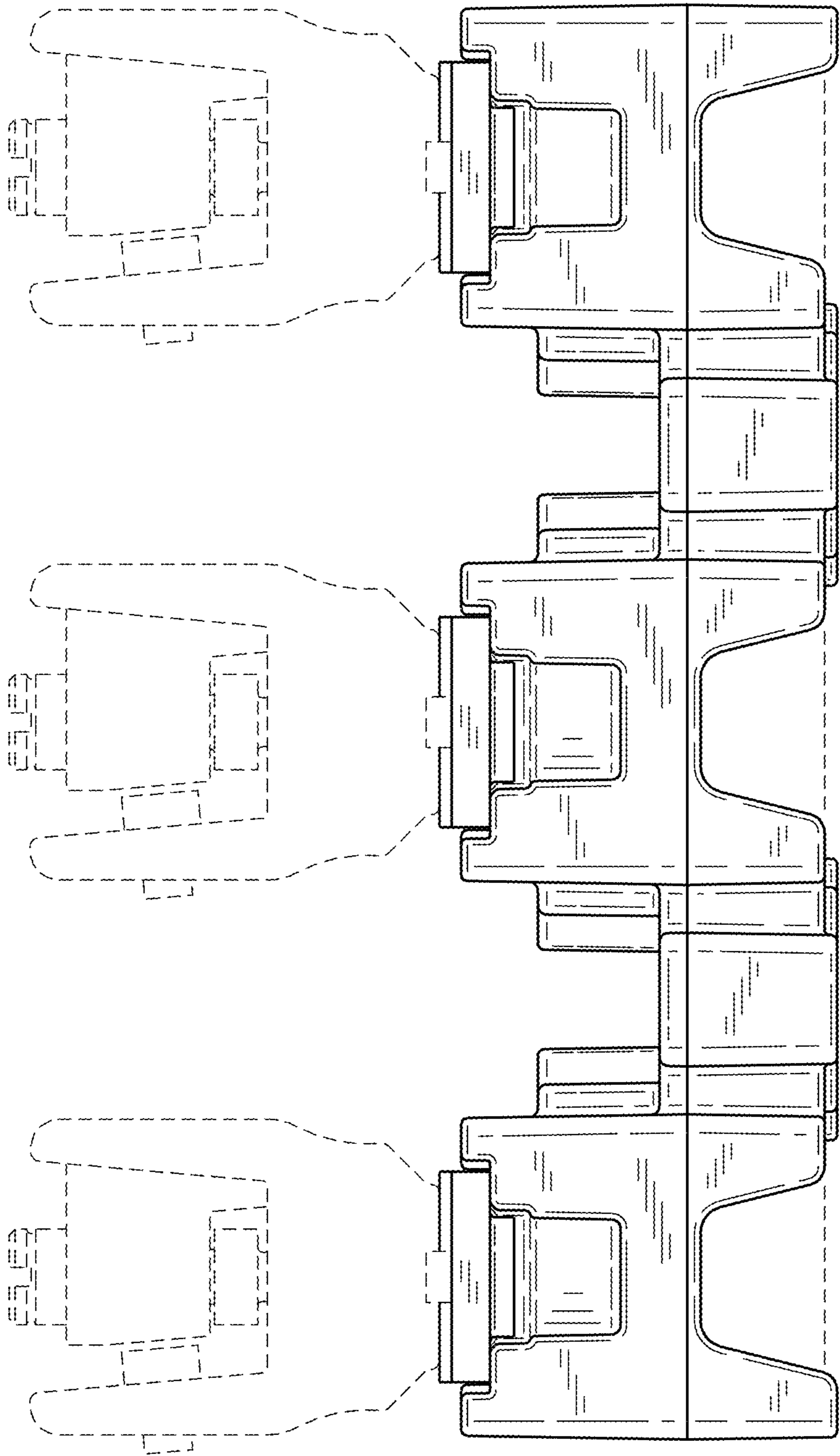


FIG. 2

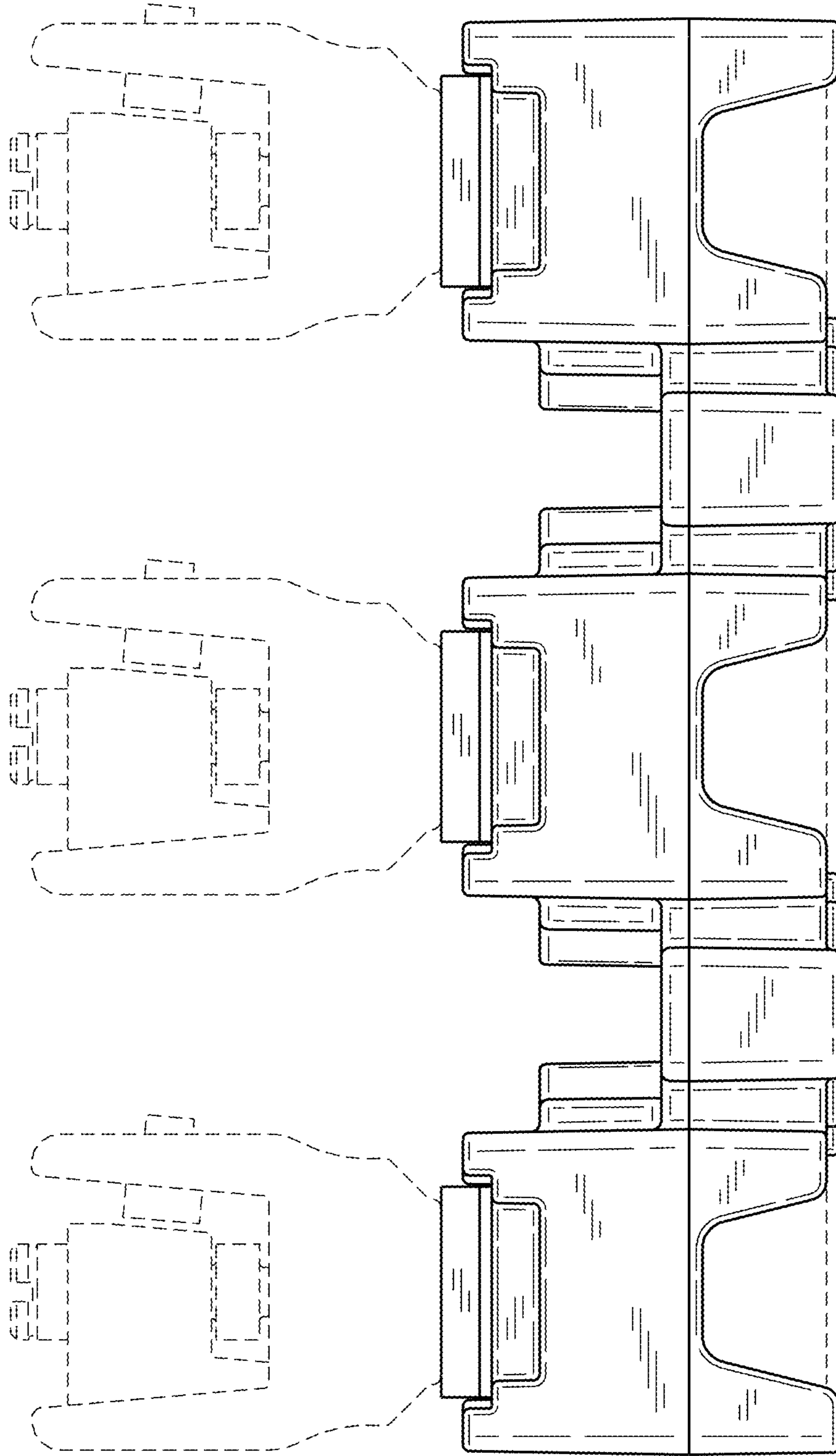


FIG. 3

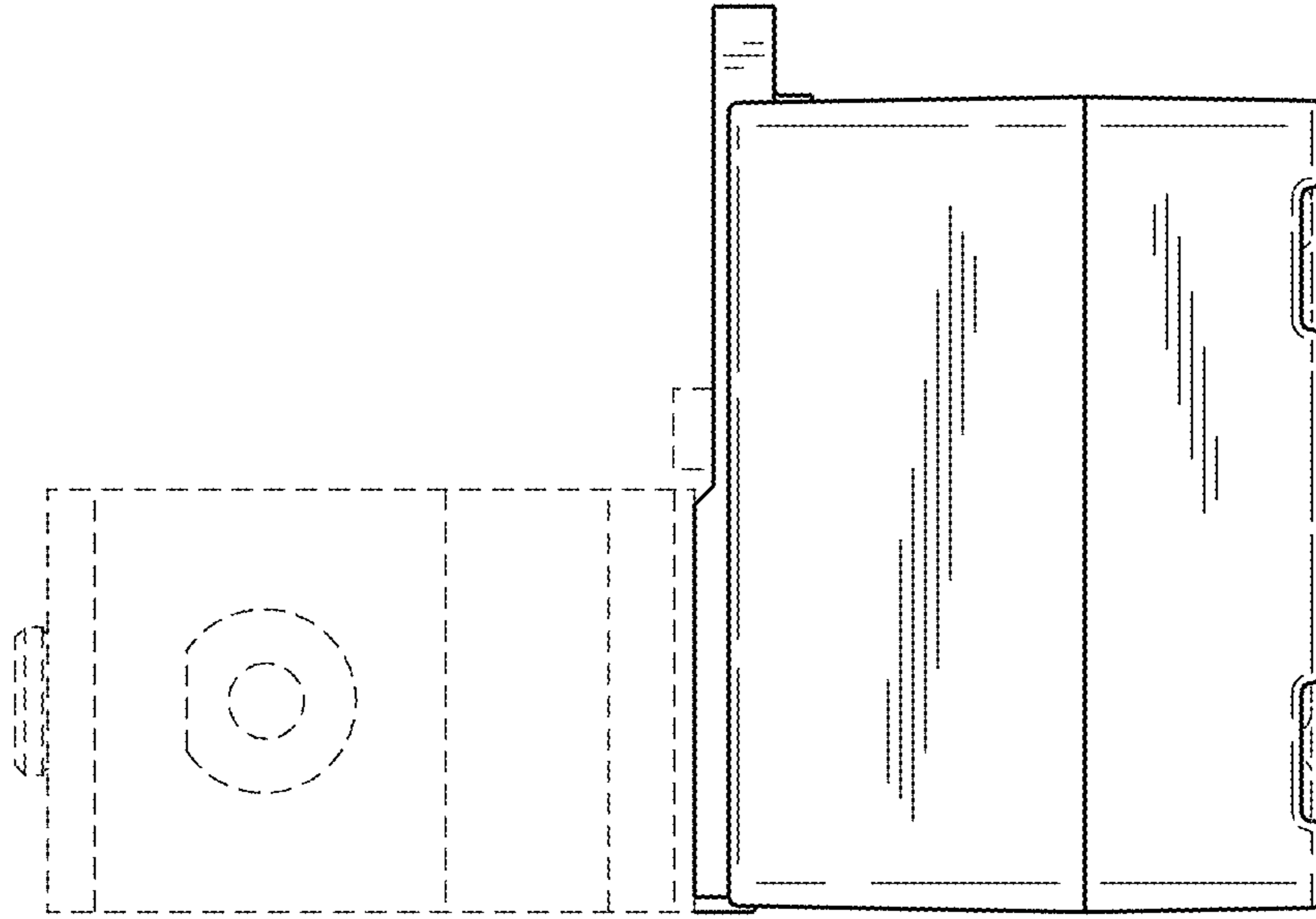


FIG. 5

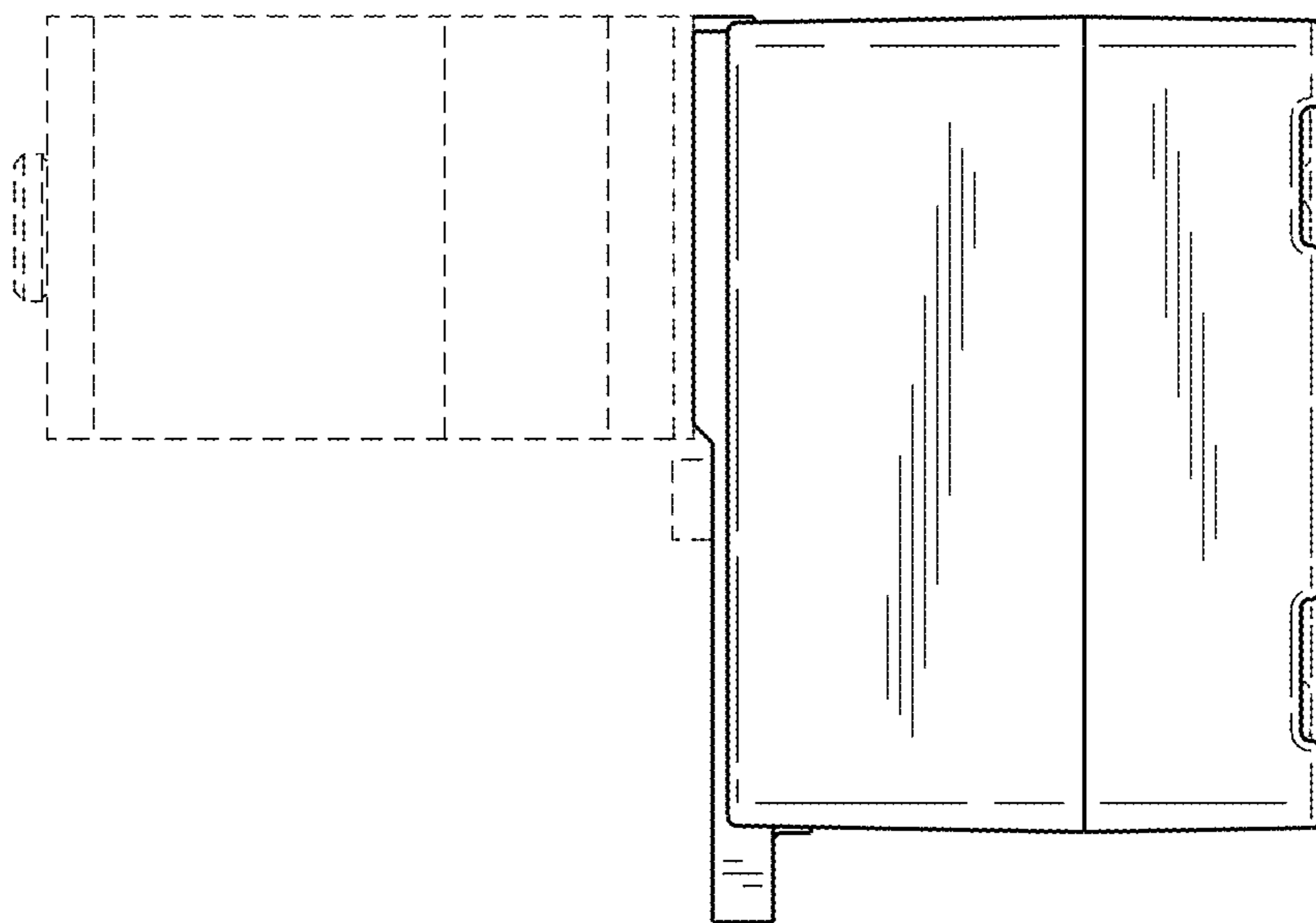


FIG. 4

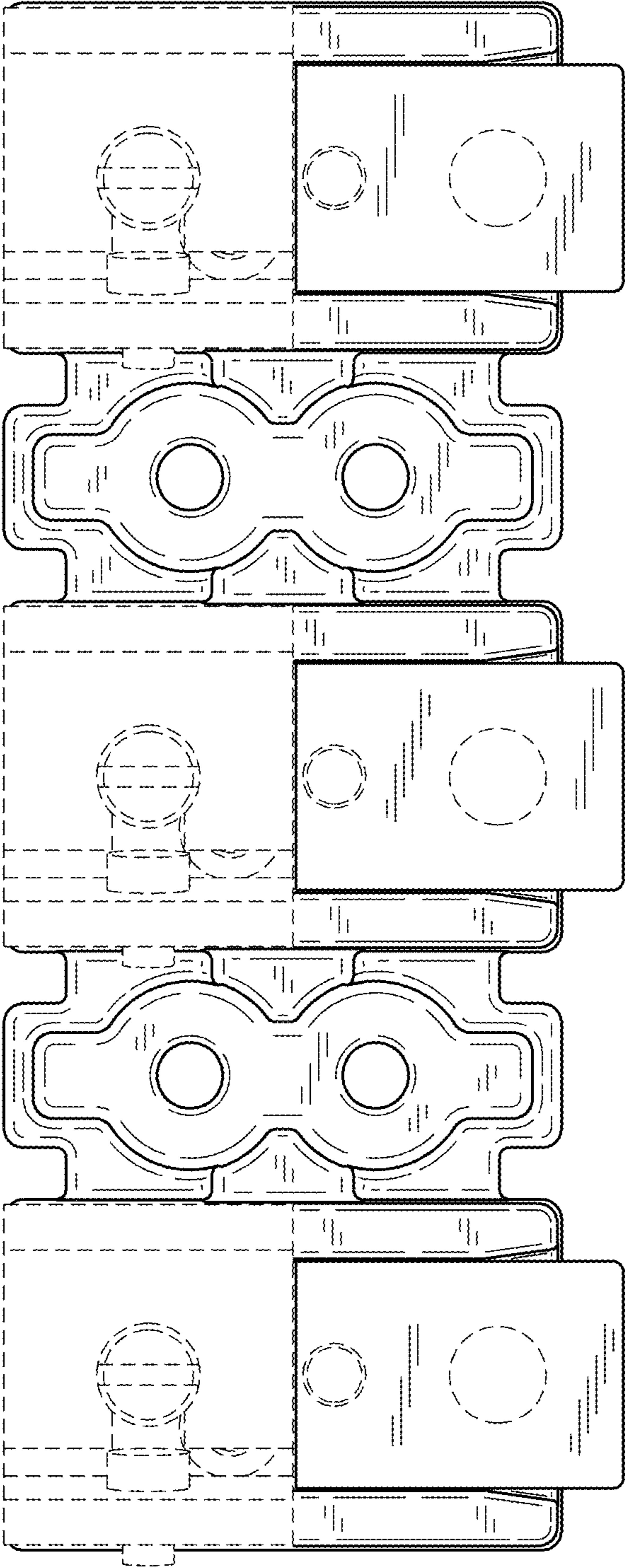


FIG. 6

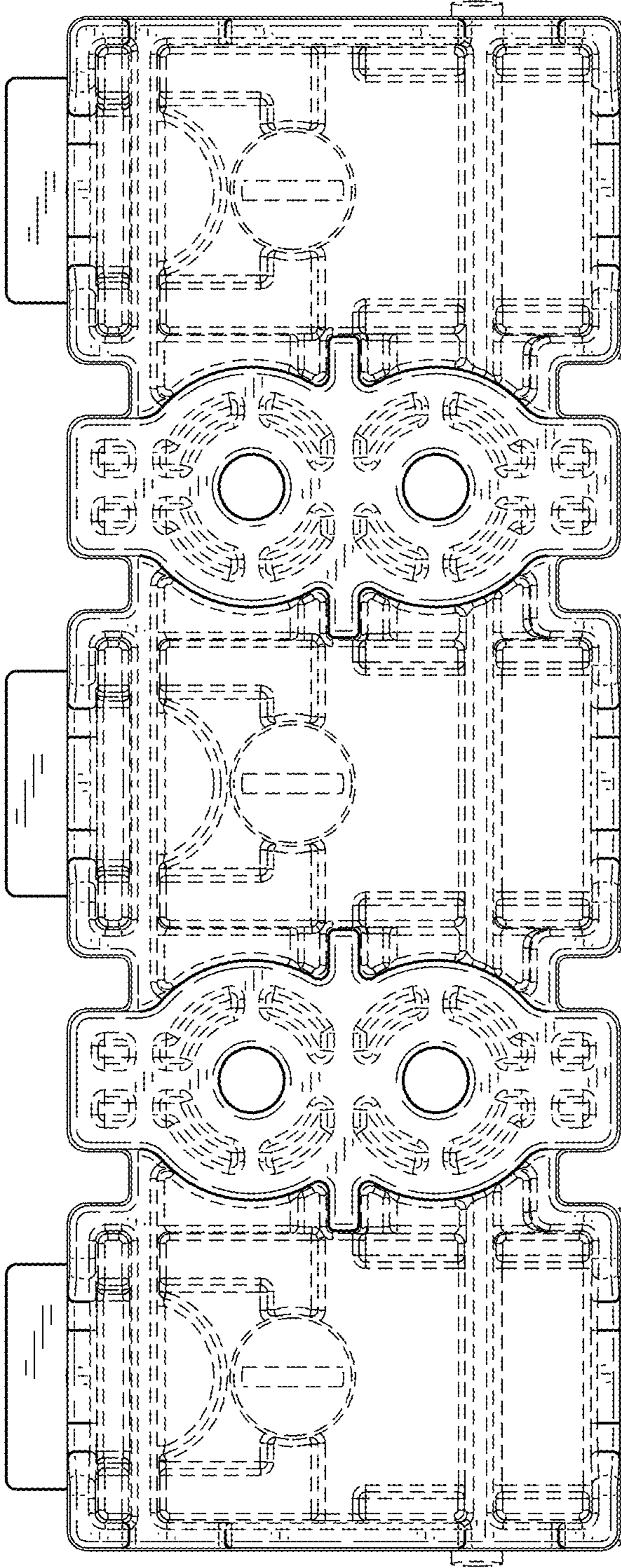


FIG. 7