



US00D940004S

(12) **United States Design Patent**
Stone et al.

(10) **Patent No.:** **US D940,004 S**

(45) **Date of Patent:** **** Jan. 4, 2022**

(54) **AUTOMOBILE BODY**

(71) Applicants: **Nicolas R. Stone**, Royal Oak, MI (US);
Irina Zavatski, Rochester Hills, MI (US)

(72) Inventors: **Nicolas R. Stone**, Royal Oak, MI (US);
Irina Zavatski, Rochester Hills, MI (US)

(73) Assignee: **FCA US LLC**, Auburn Hills, MI (US)

(**) Term: **15 Years**

(21) Appl. No.: **29/717,434**

(22) Filed: **Dec. 17, 2019**

(51) **LOC (13) Cl.** **12-08**

(52) **U.S. Cl.**
USPC **D12/91**

(58) **Field of Classification Search**
USPC D12/86, 90-92, 164; D21/424, 433, 434,
D21/533; 296/181.1-181.5, 183.1
CPC B62D 25/00; B62D 25/06; B62D 33/00;
B62D 35/00
See application file for complete search history.

(56) **References Cited**

U.S. PATENT DOCUMENTS

D420,939 S	*	2/2000	Faurote	D12/91
D476,268 S		6/2003	Castiglione et al.		
D500,460 S	*	1/2005	Allen	D12/91
D534,097 S	*	12/2006	Renkert	D12/91
D534,458 S		1/2007	Renkert et al.		
D542,179 S		5/2007	Renkert et al.		

D551,124 S	*	9/2007	Aneiros	D12/92
D650,721 S		12/2011	Galante et al.		
D693,737 S	*	11/2013	Hammoud	D12/91
D703,583 S	*	4/2014	Howell	D12/91
D711,784 S	*	8/2014	Galante	D12/91
D761,695 S	*	7/2016	Faghihzadeh	D12/92
D801,861 S	*	11/2017	Hubers	D12/91
D805,956 S	*	12/2017	Galante	D12/91
D823,722 S	*	7/2018	Hoste	D12/91
D847,025 S	*	4/2019	Zavatski	D12/91
D860,863 S	*	9/2019	Jonason	D12/91
D865,565 S	*	11/2019	Hubers	D12/91
D865,566 S	*	11/2019	Jonason	D12/91

* cited by examiner

Primary Examiner — Melody N Brown

(74) *Attorney, Agent, or Firm* — Ralph E. Smith

(57) **CLAIM**

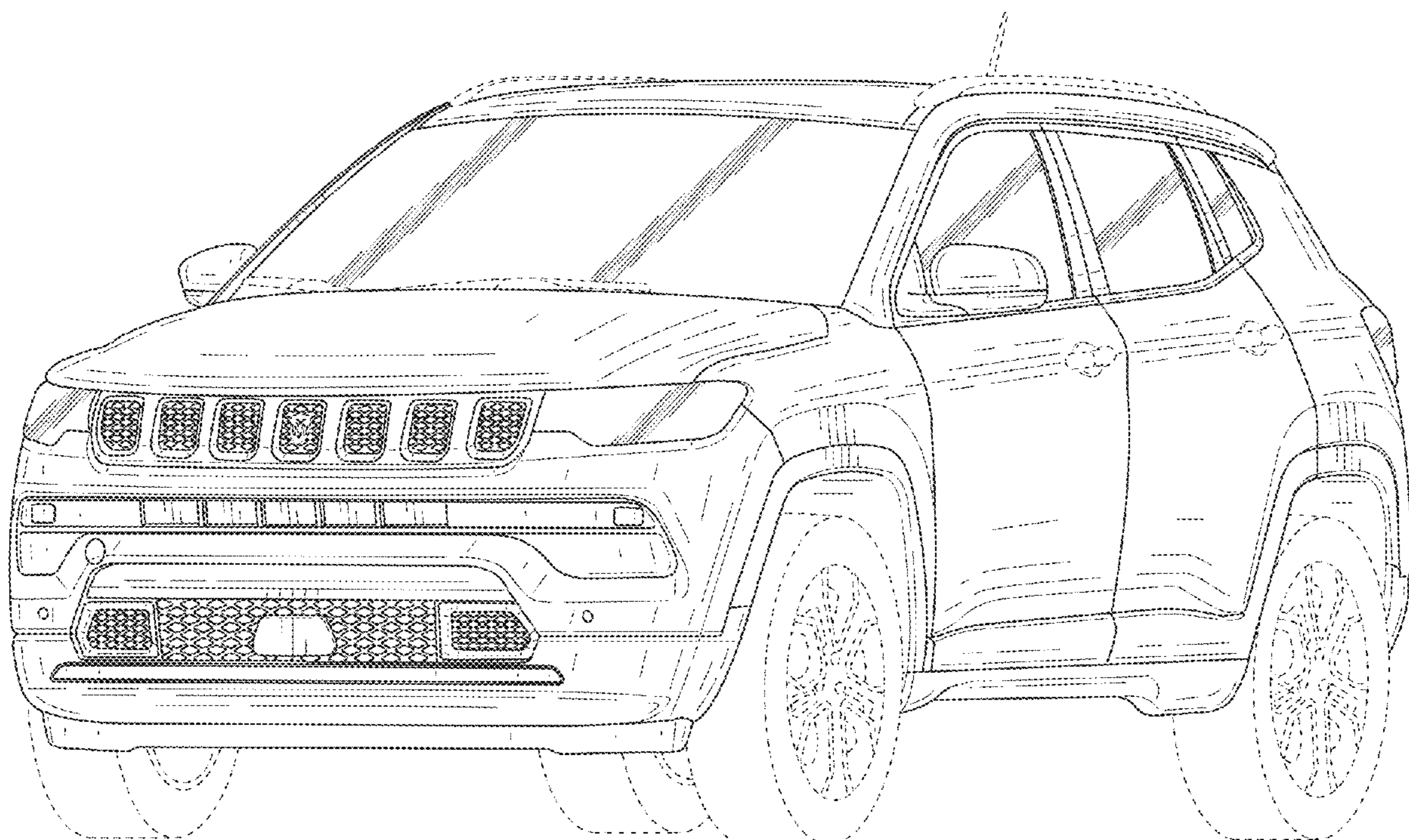
The ornamental design for an automobile body, as shown and described.

DESCRIPTION

FIG. 1 is a front and side perspective view of an automobile body showing our new design;
FIG. 2 is a rear and side perspective view thereof;
FIG. 3 is a front elevational view thereof;
FIG. 4 is a rear elevational view thereof;
FIG. 5 is a side elevational view thereof;
FIG. 6 is an opposite side elevational view thereof; and,
FIG. 7 is a top view thereof.

The portions of the automobile body shown in broken lines throughout the drawing views are for illustrative and environmental purposes that form no part of the claimed design.

1 Claim, 6 Drawing Sheets



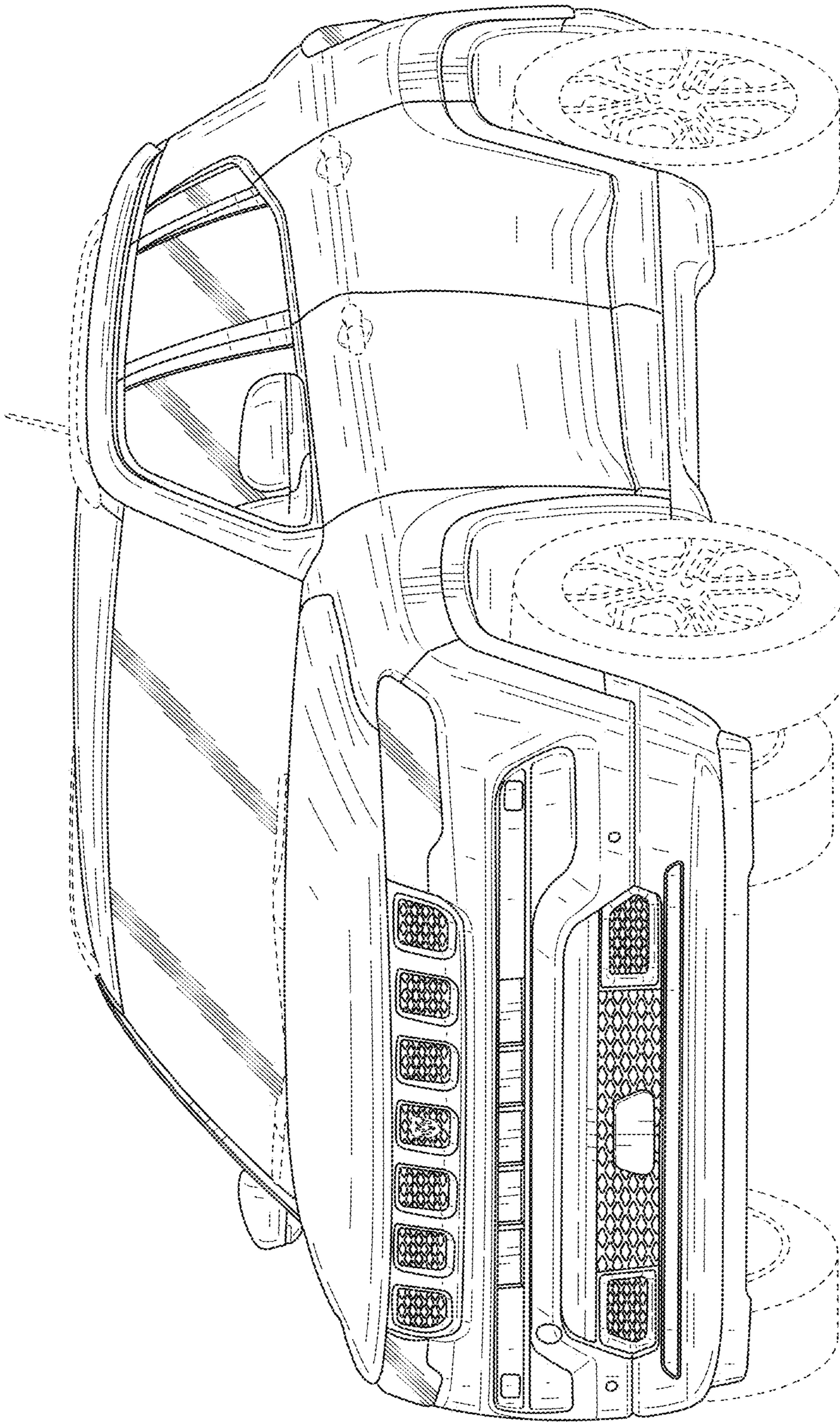


FIG. 1

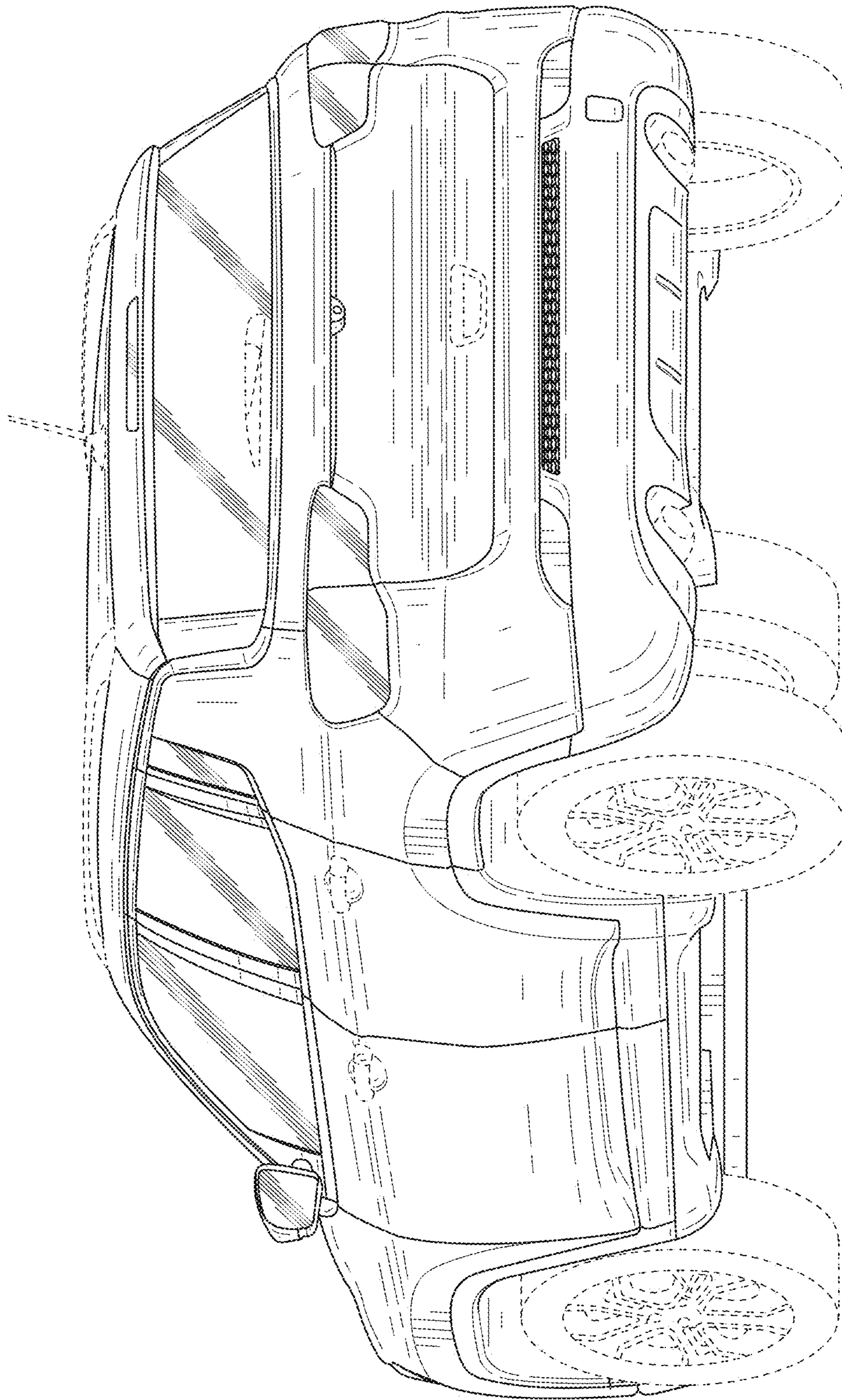


FIG. 2

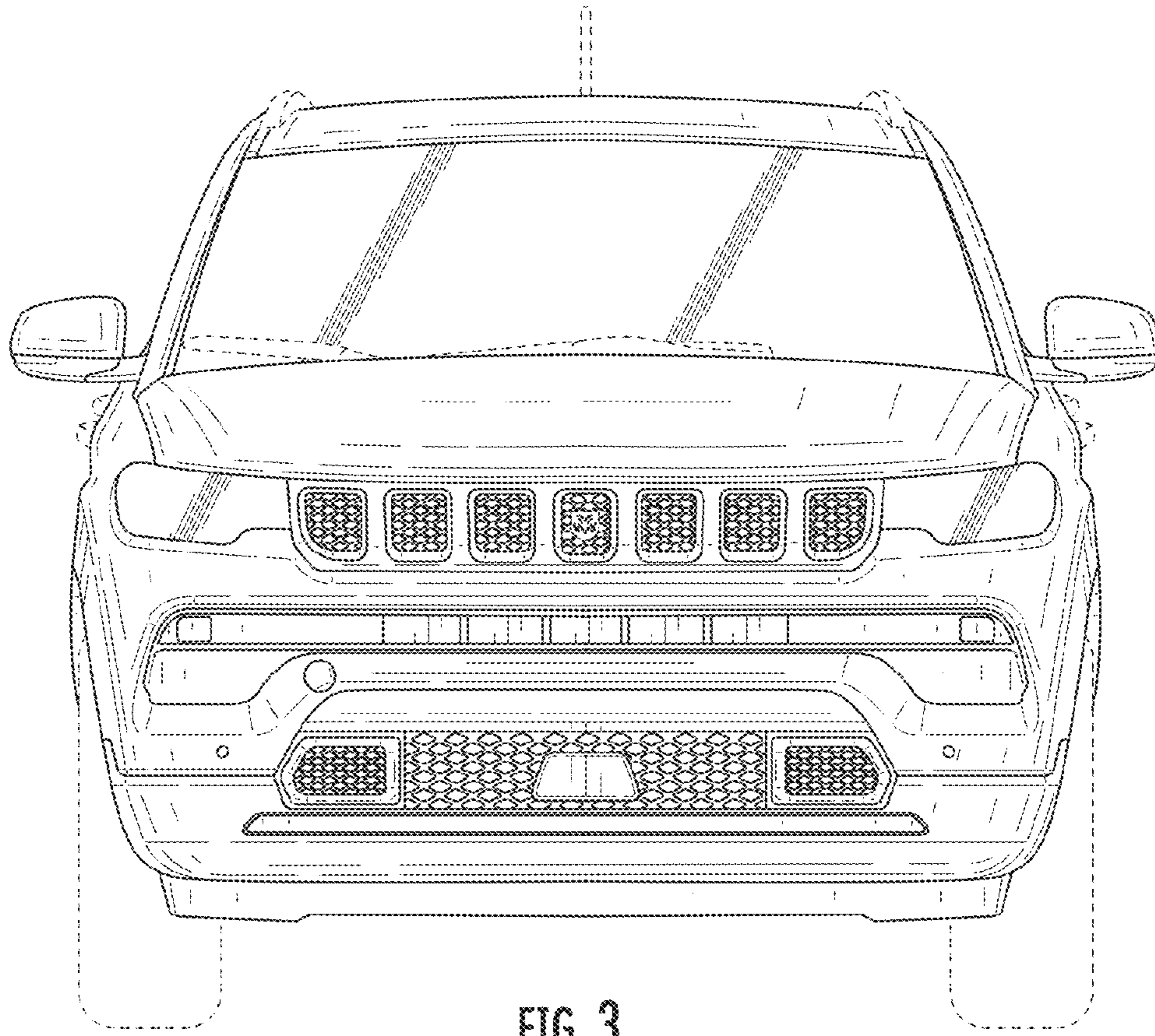


FIG. 3

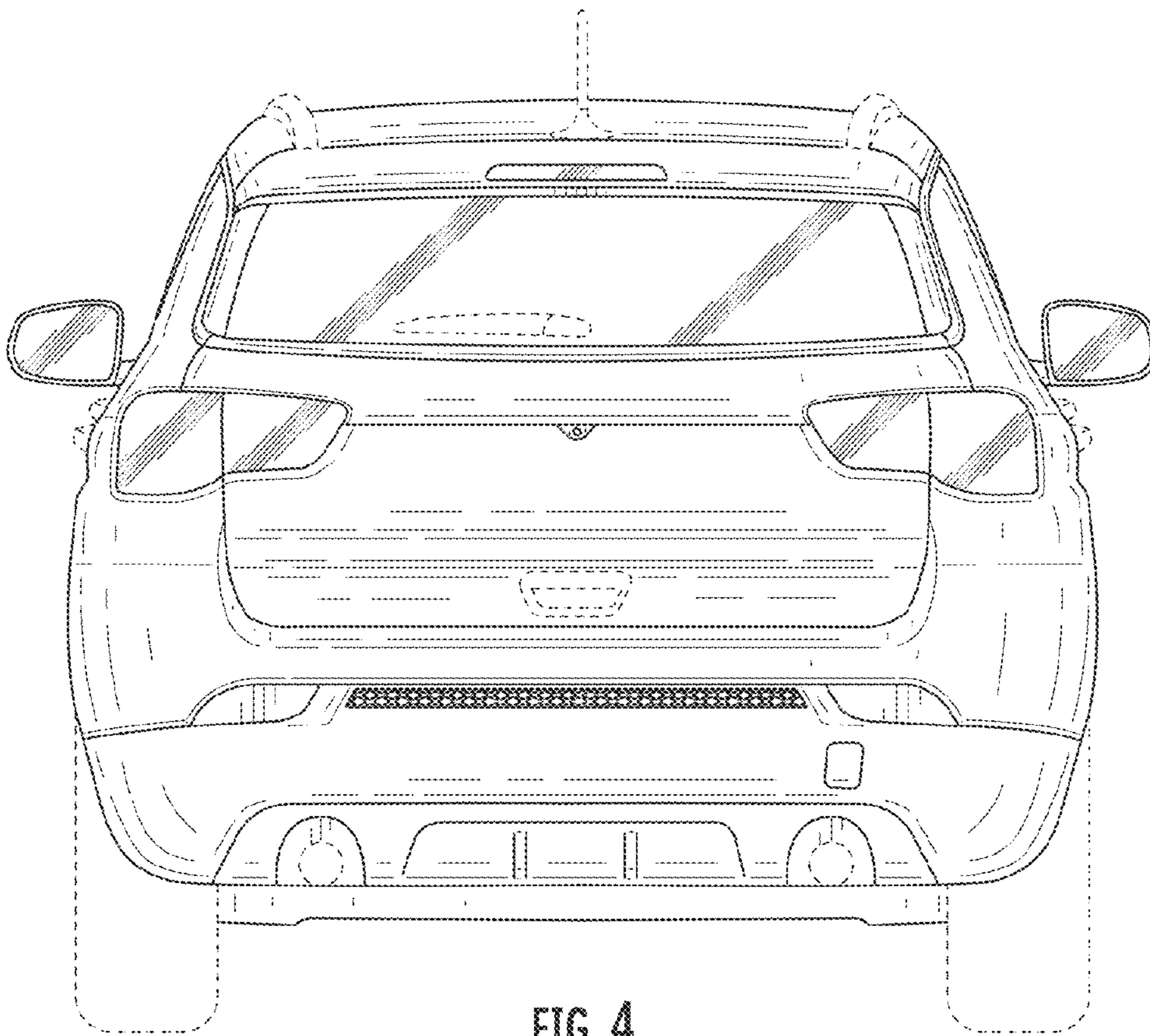


FIG. 4

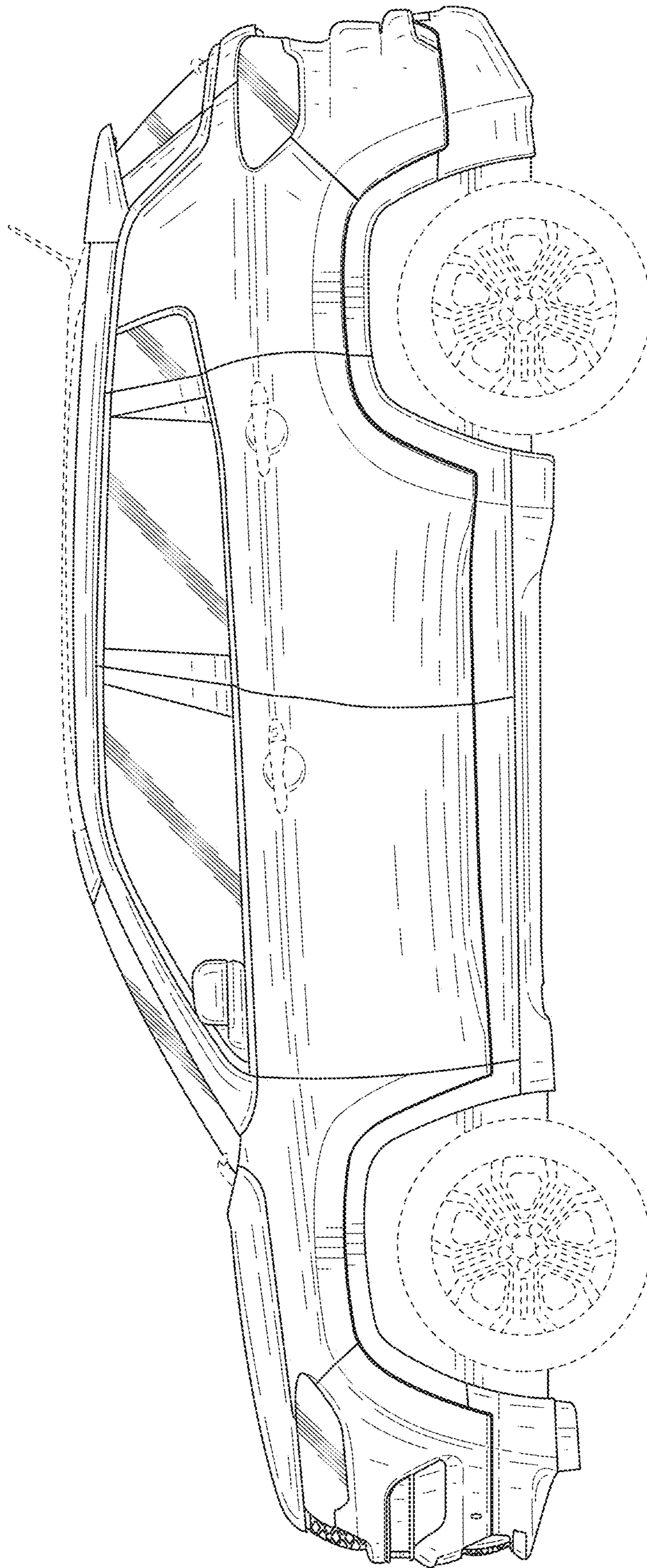


FIG. 5

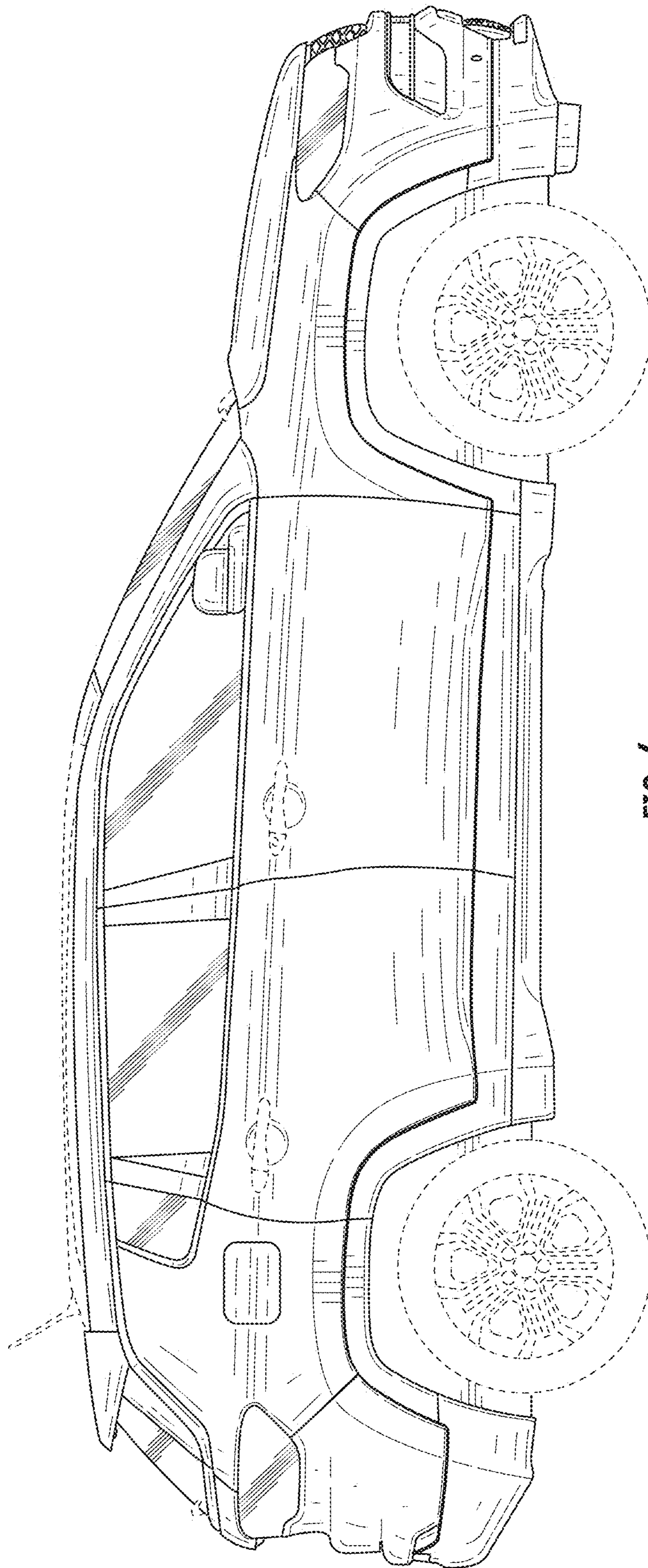


FIG. 6

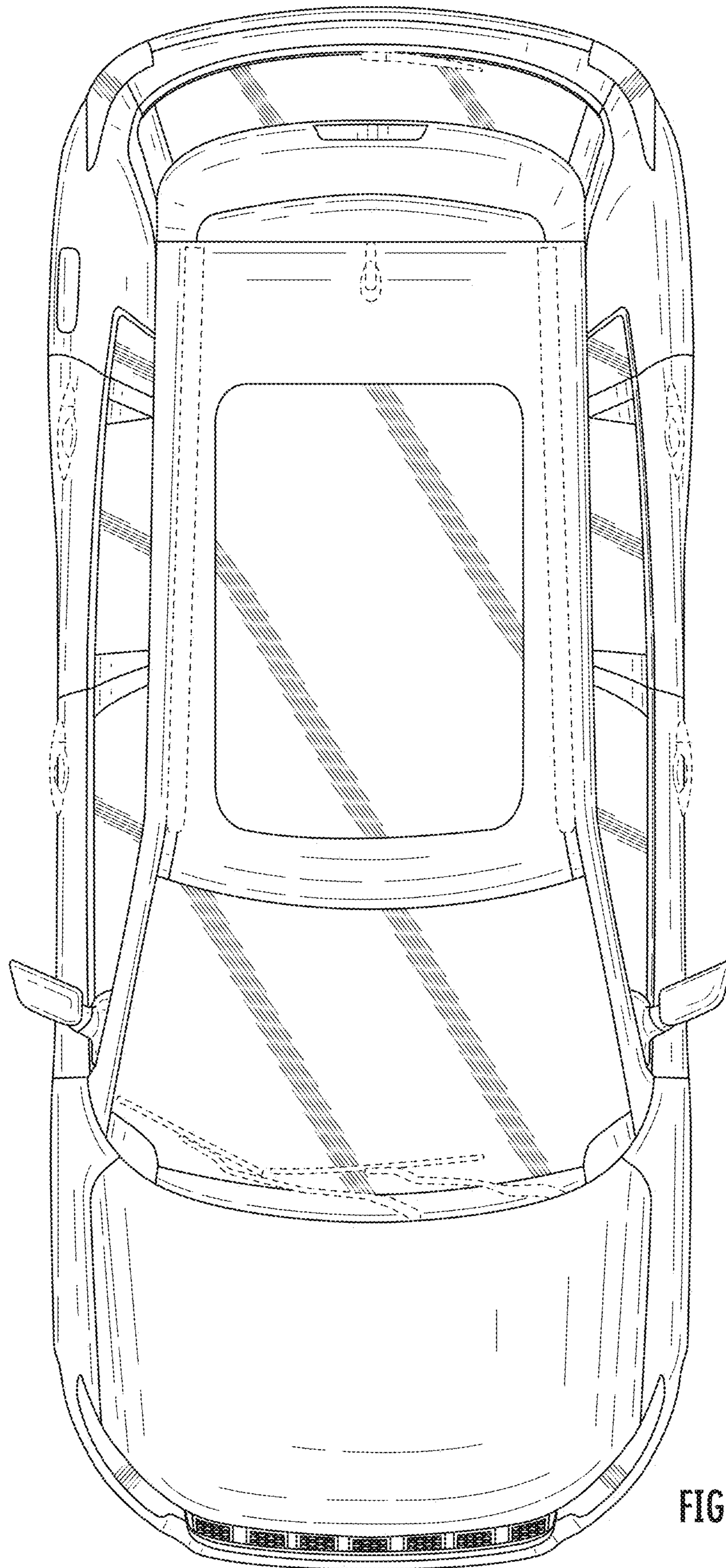


FIG. 7