



US00D940001S

(12) **United States Design Patent** (10) **Patent No.:** **US D940,001 S**  
**Rapp et al.** (45) **Date of Patent:** **\*\* Jan. 4, 2022**

(54) **CHRISTMAS TREE STAND** 2,933,274 A \* 4/1960 Mausolf ..... A47G 33/1226  
47/40.5  
(71) Applicant: **Patent Innovations LLC**, Pittsford, NY (US) D188,862 S 9/1960 Krastel  
D321,670 S 11/1991 Buonito  
D351,570 S 10/1994 Fillipp  
D364,831 S 12/1995 Fillipp  
(72) Inventors: **Steve Rapp**, Rochester, NY (US); **John M. Hammond**, Livonia, NY (US) 5,845,890 A 12/1998 Earsley et al.  
5,918,849 A 7/1999 Bliss  
(73) Assignee: **Patent Innovations LLC**, Lakeville, NY (US) (Continued)

(\*\*) Term: **15 Years**  
(21) Appl. No.: **29/679,973**  
(22) Filed: **Feb. 12, 2019**

**Related U.S. Application Data**

(63) Continuation of application No. 29/631,364, filed on Dec. 29, 2017, now Pat. No. Des. 842,163.  
(51) **LOC (13) Cl.** ..... **06-99**  
(52) **U.S. Cl.**  
USPC ..... **D11/130.1**  
(58) **Field of Classification Search**  
USPC ... D11/117, 121, 130, 130.1, 131, 143, 144, D11/152, 153, 154; 428/7, 8, 9, 12, 15, 428/19, 20; 248/519, 523-526; 47/39, 47/40.5, 41.1, 41.11-41.15, 42, 43  
CPC . E04H 12/2238; E04H 12/3346; A47G 33/12; A47G 33/1206; A47G 33/1213; A47G 33/1226; A47G 33/1246; A47G 33/126  
See application file for complete search history.

(56) **References Cited**

**U.S. PATENT DOCUMENTS**

1,846,891 A \* 2/1932 Miller ..... A47G 33/12  
47/40.5  
2,044,192 A \* 6/1936 Templin, Jr. .... A47G 33/12  
47/40.5  
2,613,899 A \* 10/1952 Wagner ..... A47G 33/12  
47/40.5

**OTHER PUBLICATIONS**

Krinner Tree Genie Metal Christmas Tree Stand, [https://www.acehardware.com/departments/home-and-decor/holiday/christmas-tree-stands/9304726429=true&msclkid=b0bf14e63052188931d8747f491ce0a5&utm\\_source=bing&utm\\_medium=cpc&utm\\_campaign=PLAs\\_N4\\_Home-and-Decor\\_Other\\_All\\_All&utm\\_term=4581458802310596,2021\\_](https://www.acehardware.com/departments/home-and-decor/holiday/christmas-tree-stands/9304726429=true&msclkid=b0bf14e63052188931d8747f491ce0a5&utm_source=bing&utm_medium=cpc&utm_campaign=PLAs_N4_Home-and-Decor_Other_All_All&utm_term=4581458802310596,2021_) (Year: 2021).\*  
(Continued)

*Primary Examiner* — Elizabeth J Oswecki  
(74) *Attorney, Agent, or Firm* — John M. Hammond;  
Patent Innovations LLC

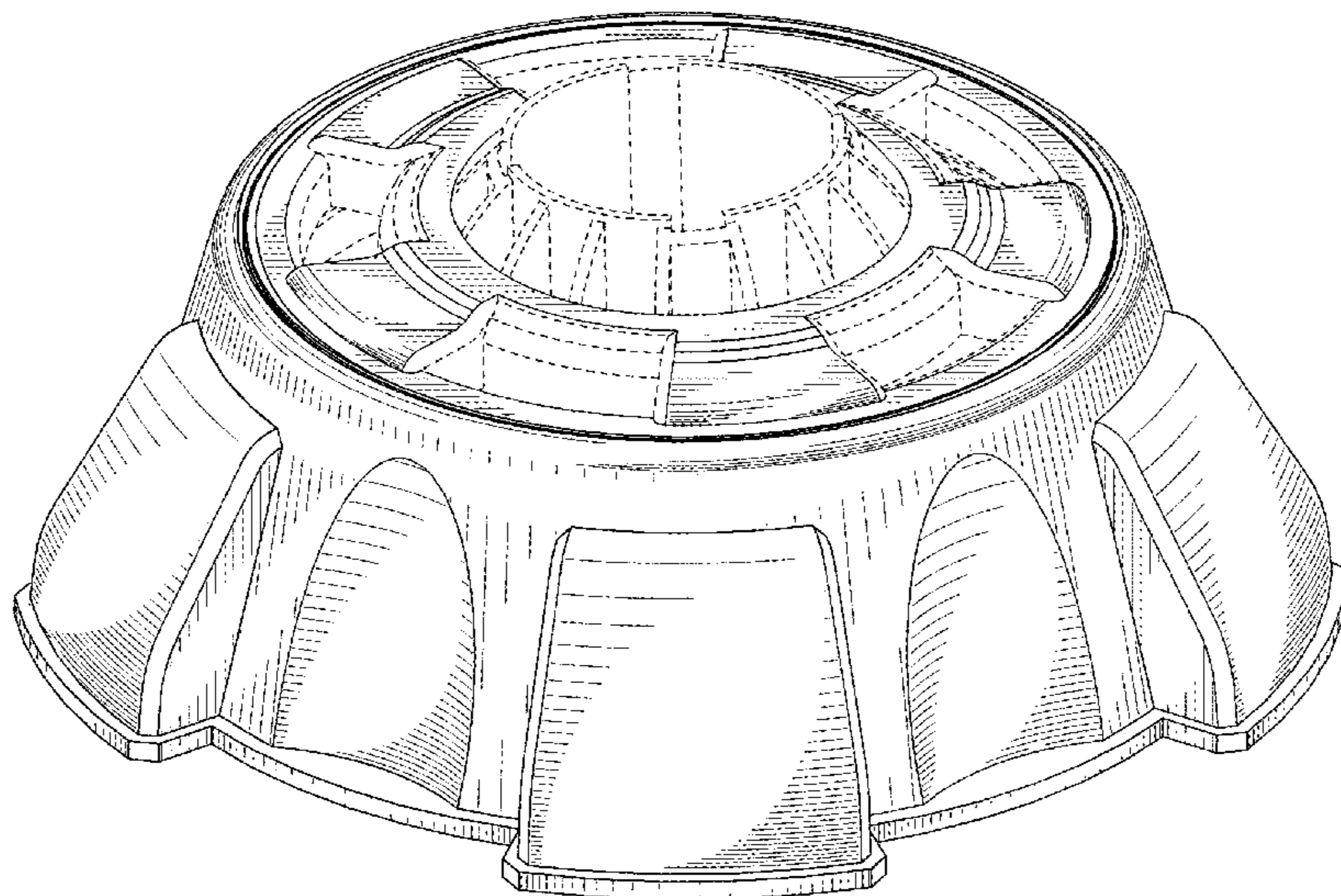
(57) **CLAIM**

The ornamental design for a Christmas tree stand, as shown and described.

**DESCRIPTION**

FIG. 1 is a top, front perspective view of a Christmas tree stand, showing our new design;  
FIG. 2 is a front elevation view thereof;  
FIG. 3 is a right side elevation view thereof;  
FIG. 4 is a rear elevation view thereof;  
FIG. 5 is a left side elevation view thereof;  
FIG. 6 is a top plan view thereof; and,  
FIG. 7 is a bottom plan view thereof.  
The broken lines shown in the drawings represent portions of the Christmas tree stand that form no part of the claimed design. The unshaded surface areas between the solid and broken lines form no part of the claimed design.

**1 Claim, 7 Drawing Sheets**



(56)

References Cited

U.S. PATENT DOCUMENTS

D424,969	S	5/2000	Fillipp	
D428,357	S	7/2000	Fillipp	
D443,227	S *	6/2001	Sofy .....	D11/130.1
6,286,804	B1	9/2001	Avinger	
6,357,173	B1	3/2002	Sofy	
D498,172	S *	11/2004	Verni .....	D11/130.1
6,877,274	B2	4/2005	Fiveash	
D543,895	S *	6/2007	Bolster .....	D11/117
D709,794	S *	7/2014	Gage, Jr. ....	D11/130.1
9,375,109	B2	6/2016	Hammond et al.	
D821,913	S *	7/2018	Lannie .....	D11/130.1
D842,163	S *	3/2019	Rapp .....	D11/130.1
D846,430	S *	4/2019	Wach .....	D11/130.1
10,694,879	B2 *	6/2020	Wach .....	A47G 33/1226
D904,221	S *	12/2020	Zhao .....	D11/130.1
D904,222	S *	12/2020	Zhao .....	D11/130.1
D906,873	S *	1/2021	Zhao .....	D11/130.1
D911,869	S *	3/2021	Zhao .....	D11/130.1
D912,569	S *	3/2021	Zhao .....	D11/130.1
2018/0020859	A1	1/2018	Rapp et al.	

OTHER PUBLICATIONS

Drop-In Christmas Tree Stand, by Eazy Treezy, [https://www.thegrommet.com/products/eazy-treezy-drop-in-christmas-tree-stand?pmodal=3&msclkid=ab2174d4b8311c89349e144dc17f396c&utm\\_source=bing&utm\\_medium=cpc&utm\\_campaign=AQ\\_Shopping\\_Bing\\_Brand&utm\\_term\\_content=Home\\_And\\_Garden](https://www.thegrommet.com/products/eazy-treezy-drop-in-christmas-tree-stand?pmodal=3&msclkid=ab2174d4b8311c89349e144dc17f396c&utm_source=bing&utm_medium=cpc&utm_campaign=AQ_Shopping_Bing_Brand&utm_term_content=Home_And_Garden), Nov. 27, 2019. (Year: 2019).\*

23" EZ Up Penta Heavy Duty Green Christmas Tree Stand—For Real Live Trees Up To 10', <https://www.walmart.com/ip/23-EZ-Up-Penta-Heavy-Duty-Green-Christmas-Tree-Stand-For-Real-Live-Trees-Up-To-10/50587343>, 2021 (Year: 2021).\*

Illustrations of Krinner Tree Genie Christmas tree stands at published at website [www.krinnerusa.com/christmas-tree-stands](http://www.krinnerusa.com/christmas-tree-stands). Publication date unknown. EFS file name 20190424\_29-679973\_IDS\_NPL\_Cite1.

Illustrations of Cinco Plastics Christmas tree stands at published at website <http://cincoplastics.com/cinco/>. Publication date unknown. EFS file name 20190424\_29-679973\_IDS\_NPL\_Cite2.

\* cited by examiner



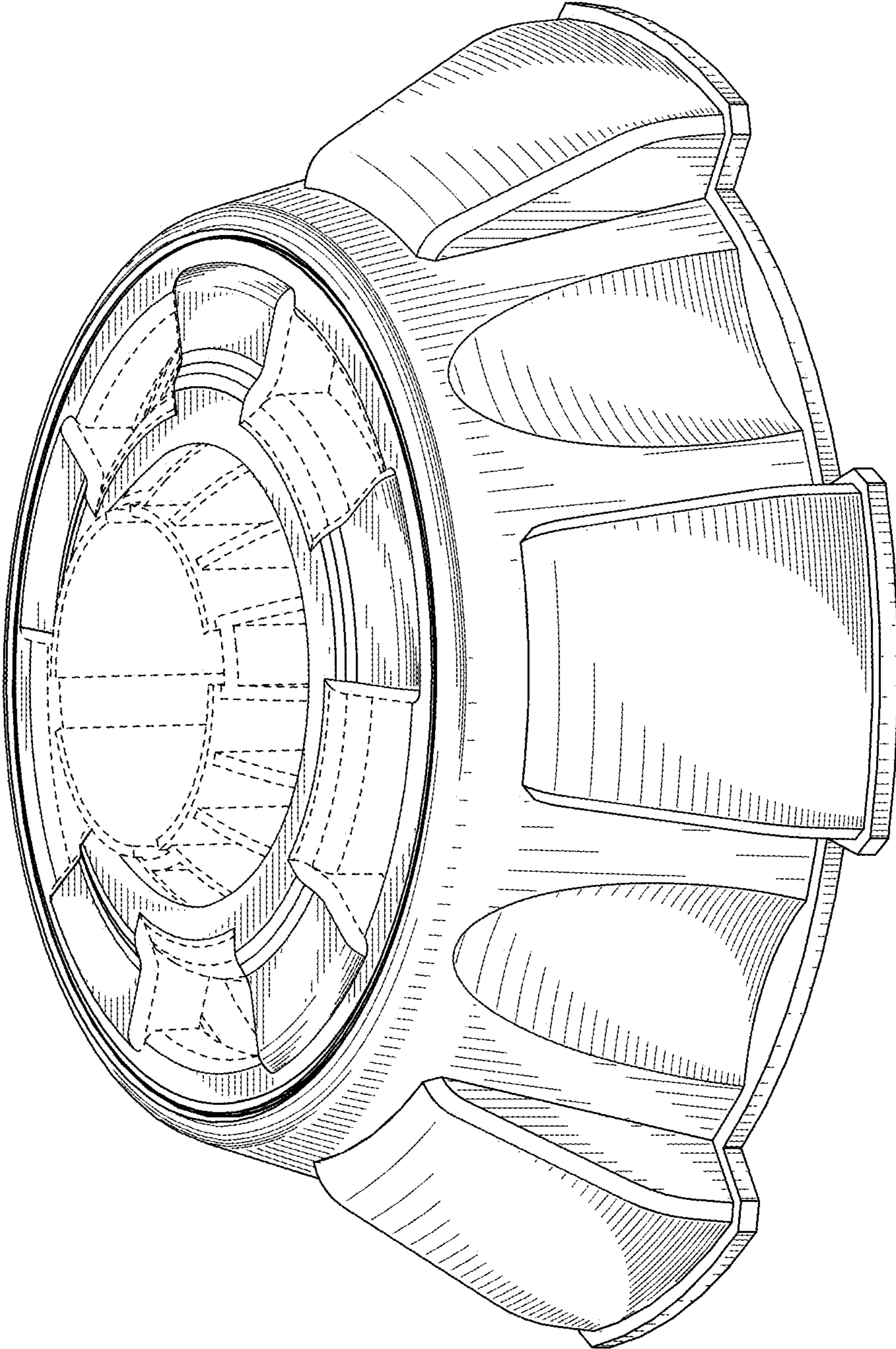


FIG. 1

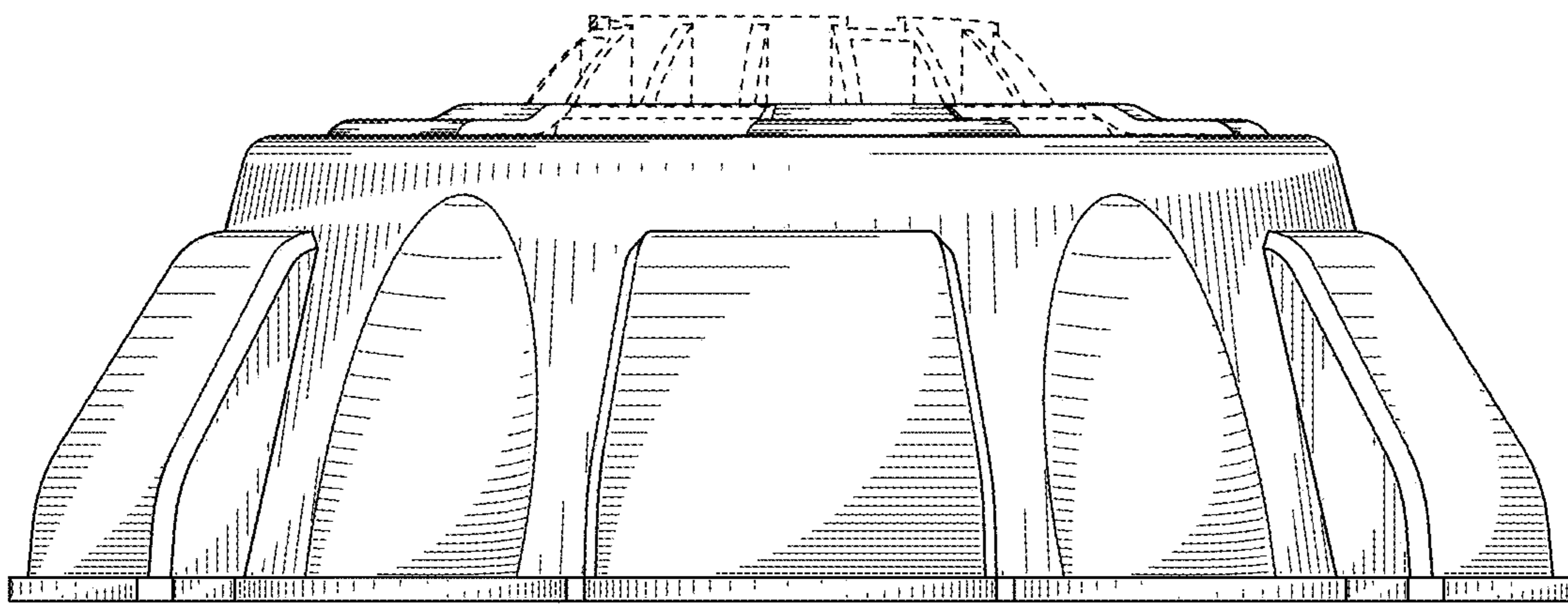


FIG. 2

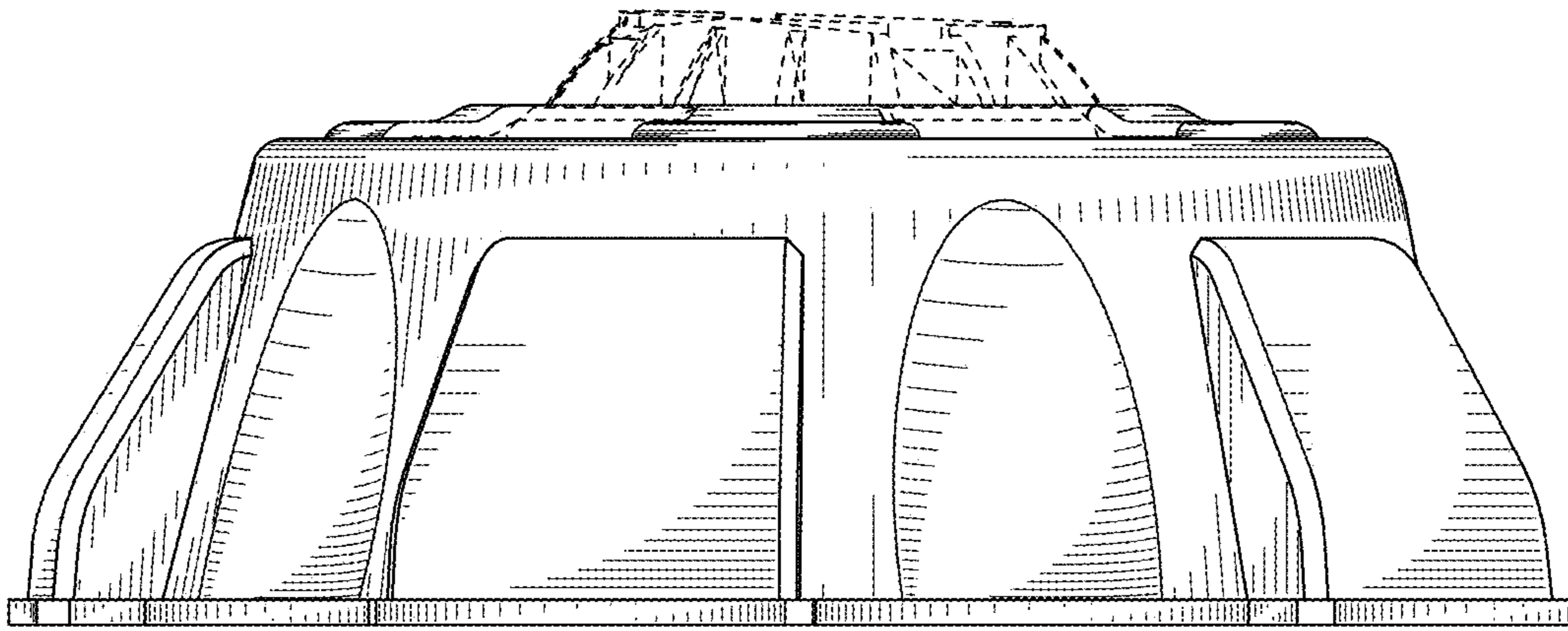


FIG. 3

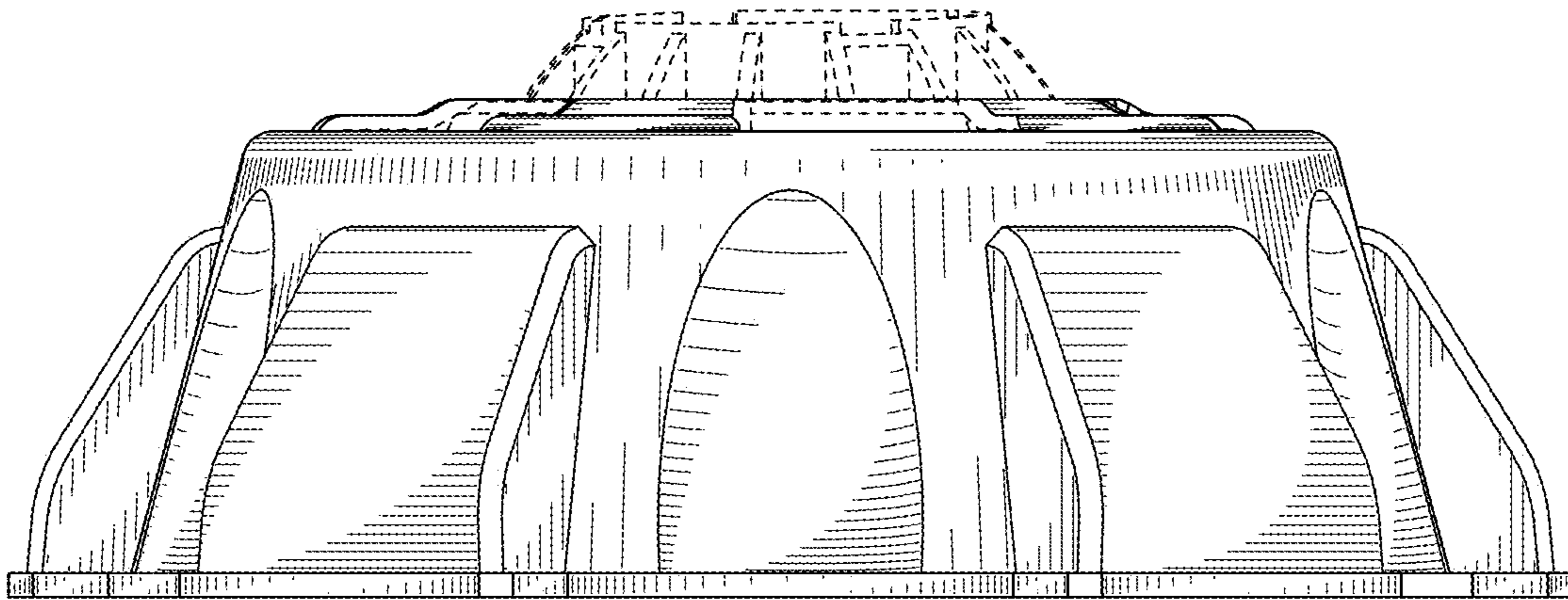


FIG. 4

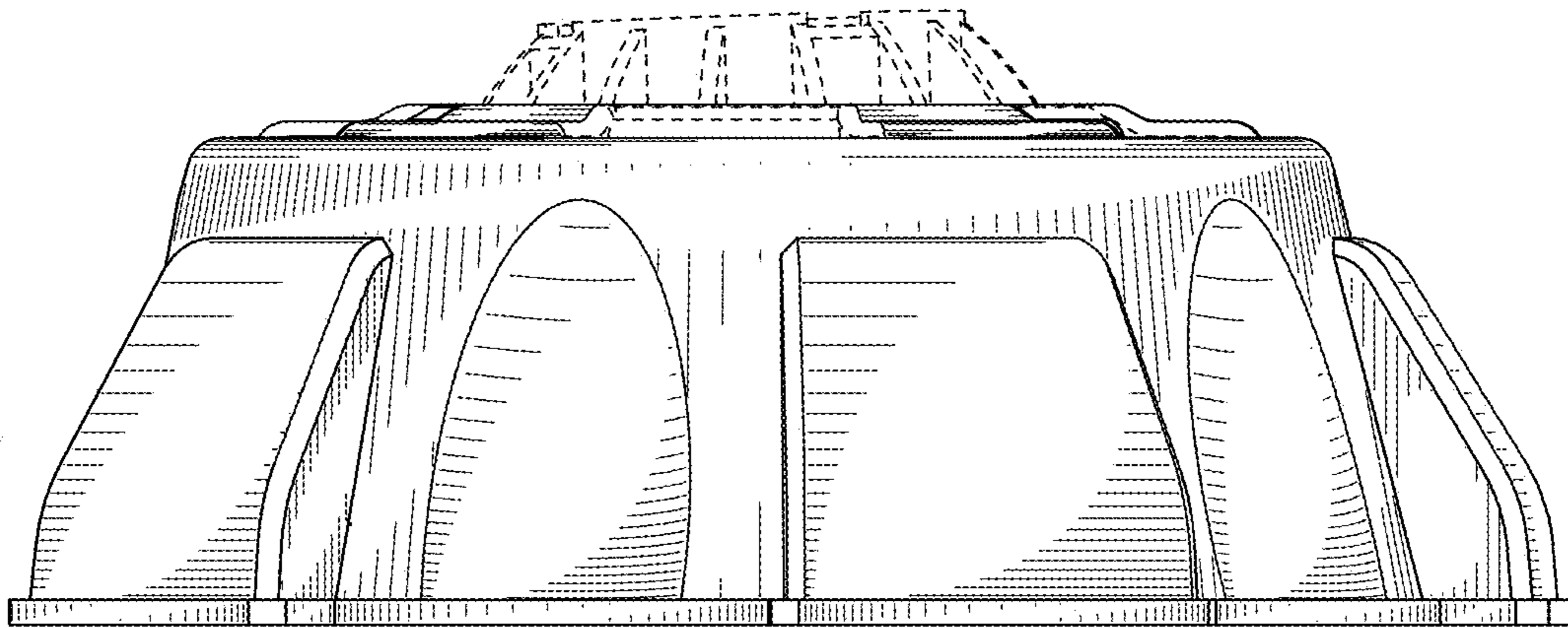


FIG. 5



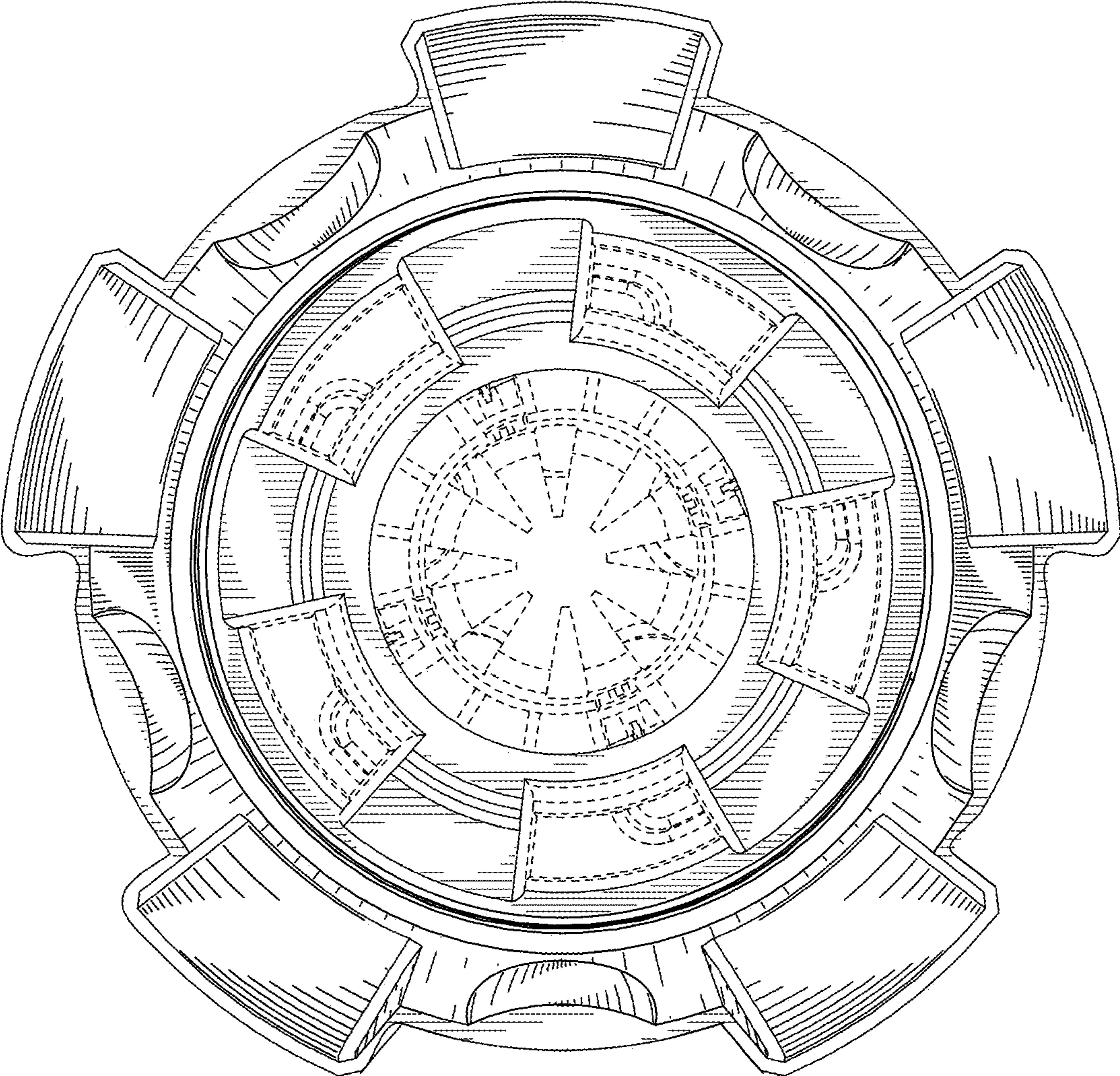


FIG. 6



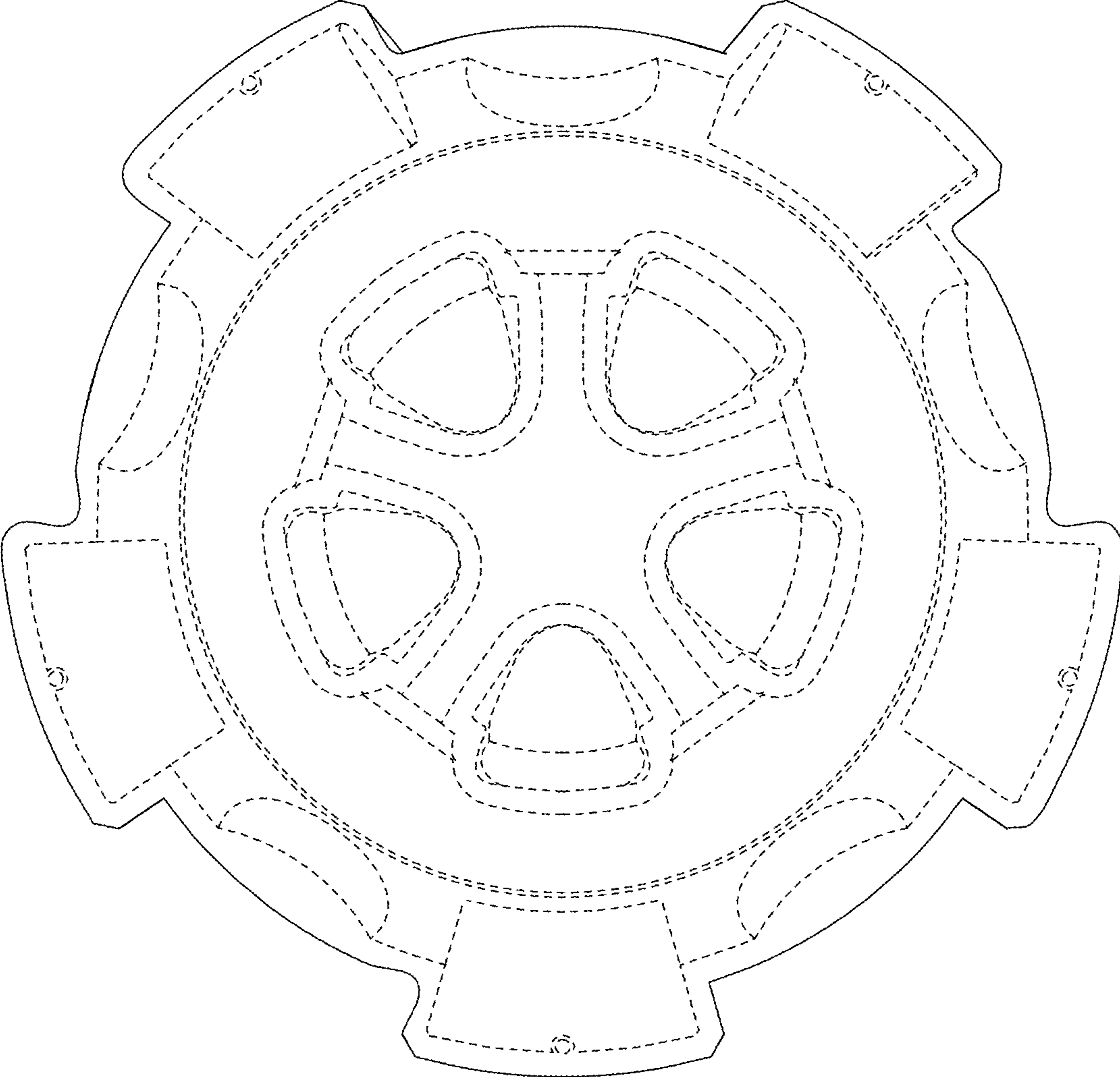


FIG. 7