



US00D940000S

(12) **United States Design Patent**  
**Yung**

(10) **Patent No.:** **US D940,000 S**

(45) **Date of Patent:** **\*\* Jan. 4, 2022**

(54) **FASTENER WITH BUTTERFLY FOR A WRISTBAND**

(71) Applicant: **Michelle Sze Wan Yung**, Mid-Levels (HK)

(72) Inventor: **Michelle Sze Wan Yung**, Mid-Levels (HK)

(\*\*) Term: **15 Years**

(21) Appl. No.: **29/708,241**

(22) Filed: **Oct. 4, 2019**

(51) **LOC (13) Cl.** ..... **11-01**

(52) **U.S. Cl.**  
USPC ..... **D11/87**

(58) **Field of Classification Search**  
USPC ..... D11/1-29, 57, 86-88, 93-94;  
D10/30-32, 38  
CPC .... A44C 5/00; A44C 5/14; A44C 5/18; A44C  
5/2066; A44C 5/2076; G04B 19/00  
See application file for complete search history.

(56) **References Cited**

**U.S. PATENT DOCUMENTS**

- 3,665,565 A \* 5/1972 Kruger ..... A44C 5/2042  
24/265 WS
- D268,657 S \* 4/1983 Kodaka ..... D11/162

- D592,215 S \* 5/2009 Barkan ..... D14/448
- D625,643 S \* 10/2010 Desser ..... D11/87
- D816,540 S \* 5/2018 Grunewald ..... D11/87
- D846,877 S \* 4/2019 Webster ..... D3/318
- D863,288 S \* 10/2019 Wu ..... D14/251
- D882,454 S \* 4/2020 Chen ..... D11/87
- D885,243 S \* 5/2020 Schilling ..... D11/87

\* cited by examiner

*Primary Examiner* — Zenia I Bennett

(74) *Attorney, Agent, or Firm* — Muncy, Geissler, Olds & Lowe, P.C.

(57) **CLAIM**

The ornamental design for a fastener with butterfly for a wristband, as shown and described.

**DESCRIPTION**

FIG. 1 is a perspective view of the fastener with butterfly for a wristband showing my new design;  
 FIG. 2 is a front elevational view thereof;  
 FIG. 3 is a rear elevational view thereof;  
 FIG. 4 is a left side elevational view thereof;  
 FIG. 5 is a right side elevational view thereof;  
 FIG. 6 is a top plan view thereof; and,  
 FIG. 7 is a bottom plan view thereof.

The broken lines illustrate portions of the fastener with butterfly for a wristband which form no part of the claimed design.

**1 Claim, 7 Drawing Sheets**

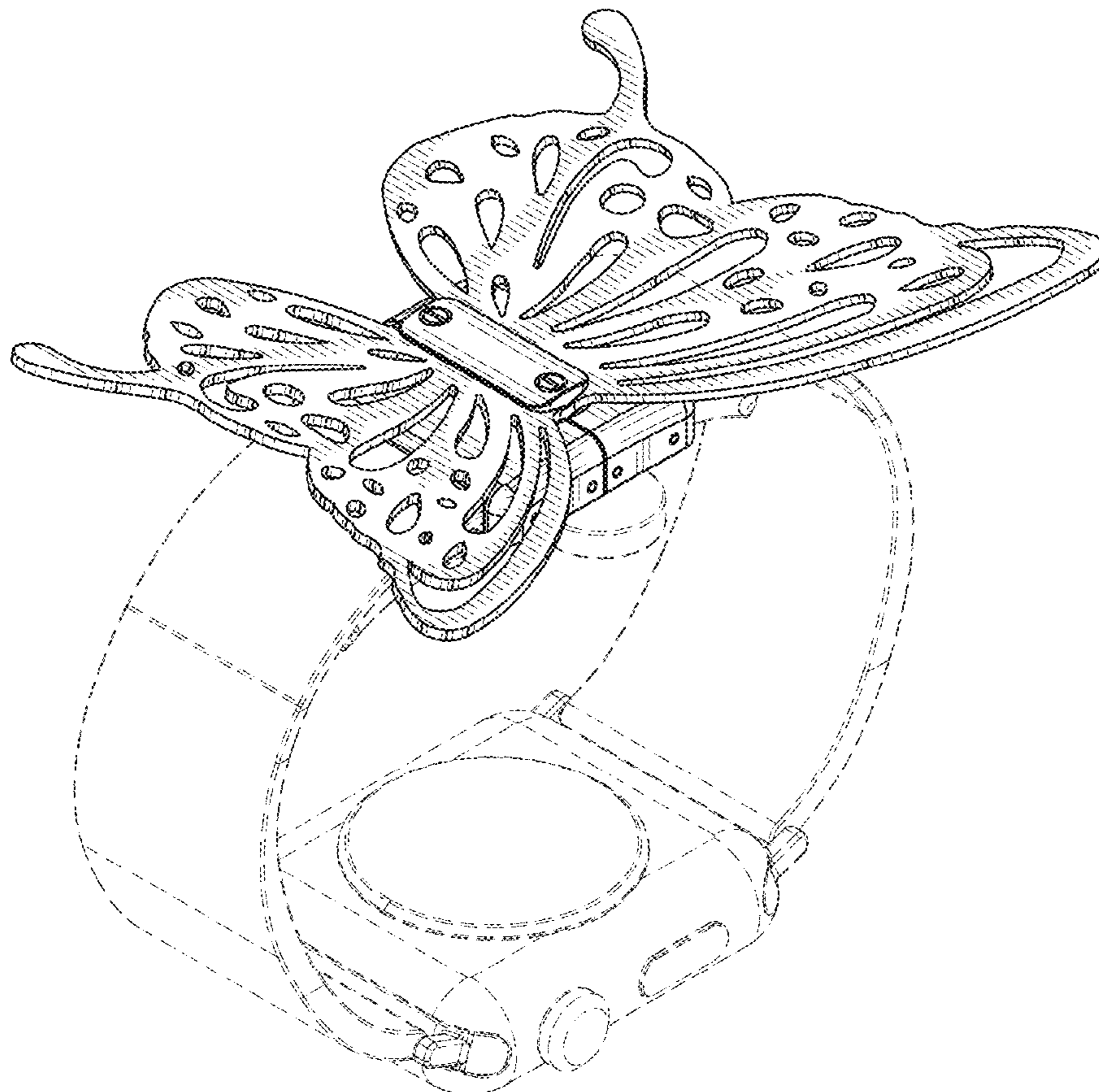




Fig. 1

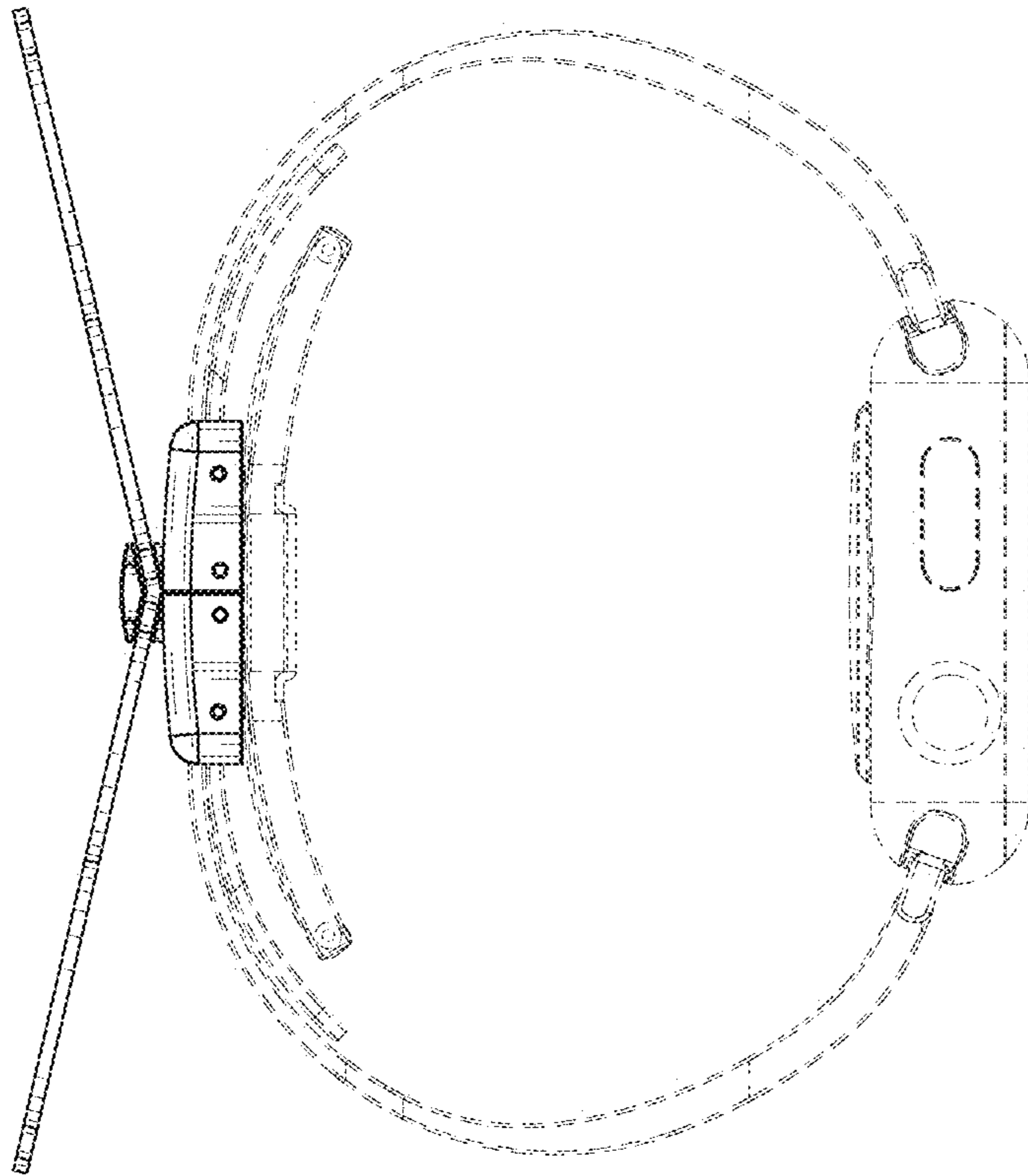


Fig.2

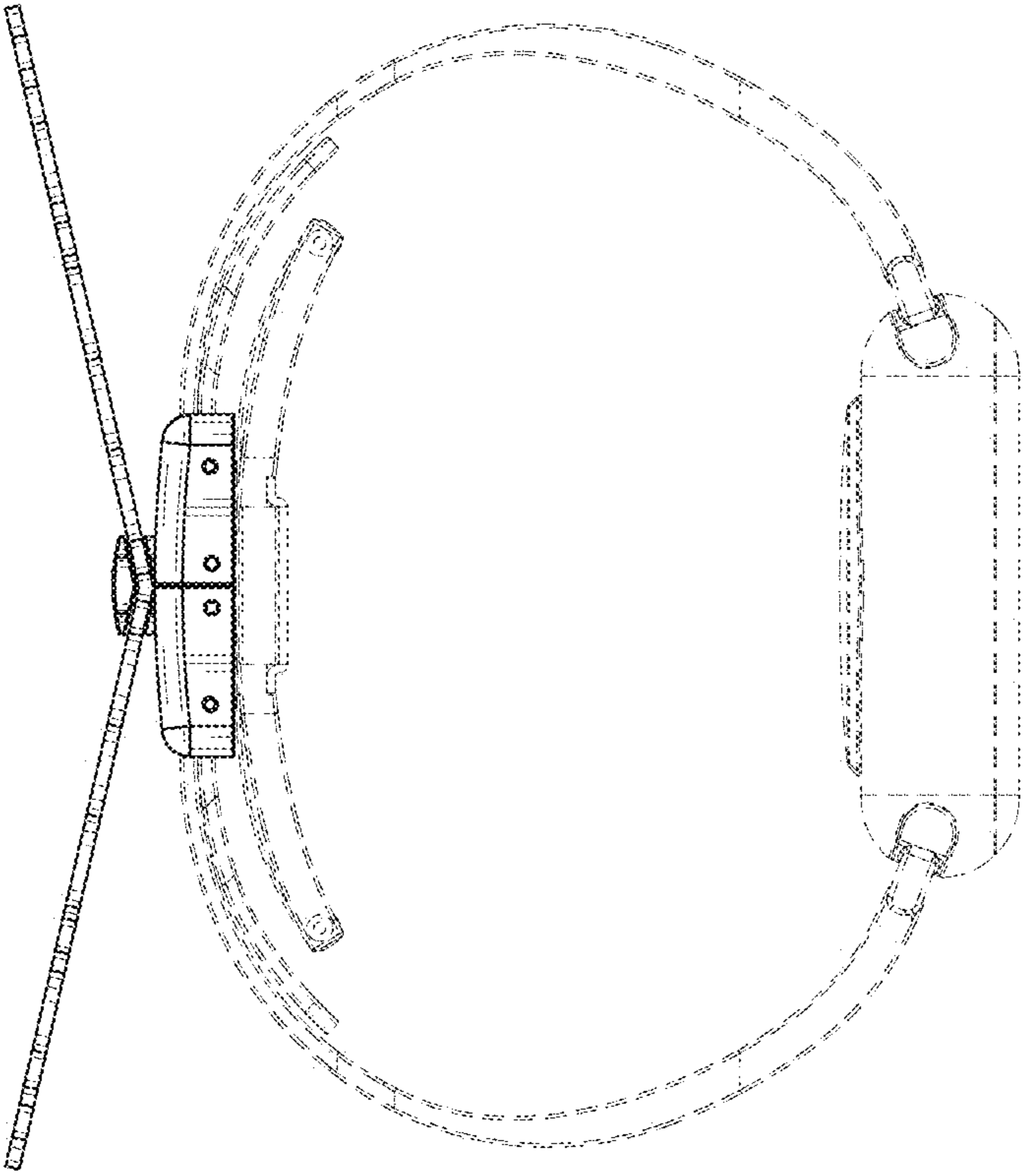


Fig. 3

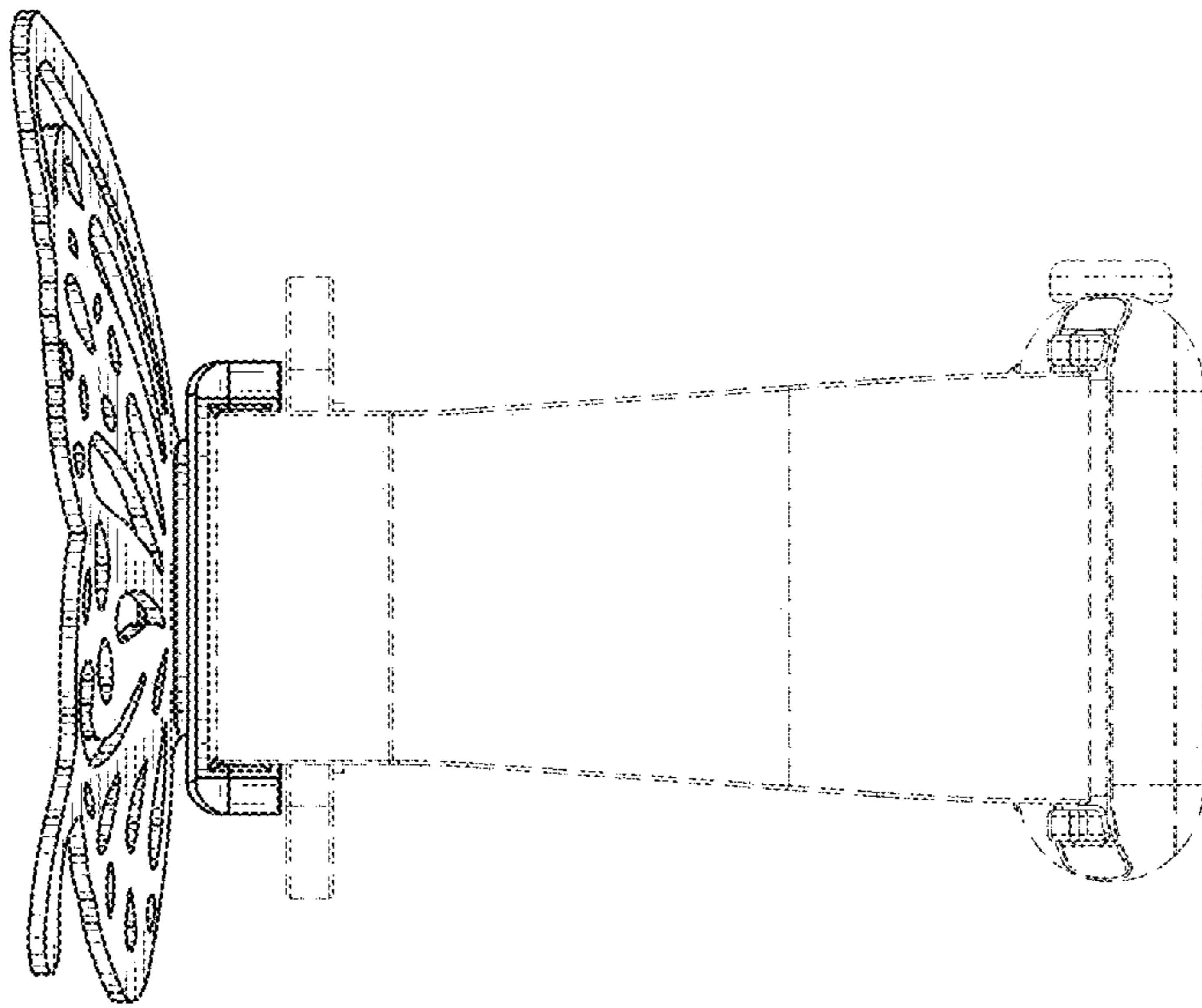


Fig.4

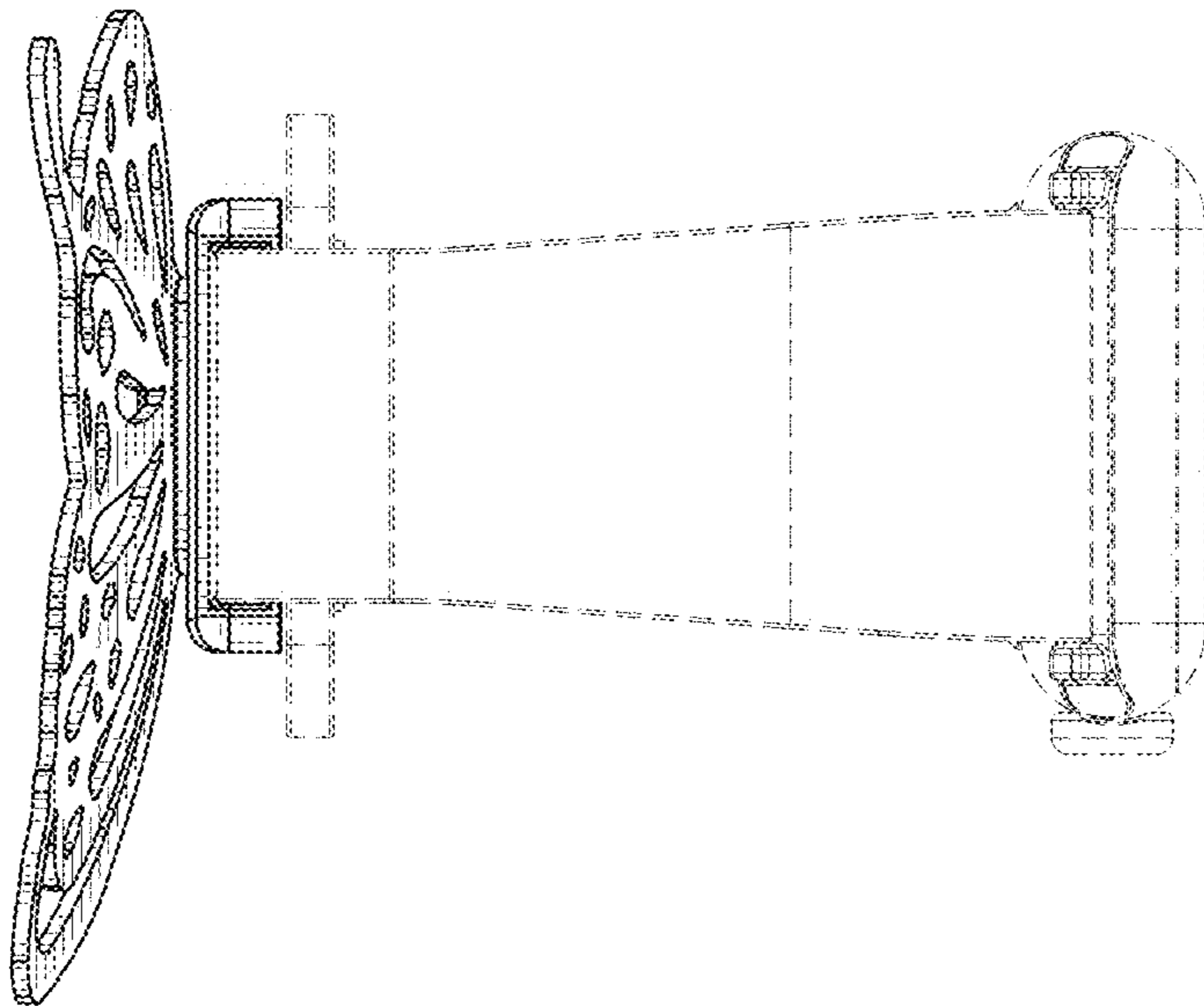


Fig. 5

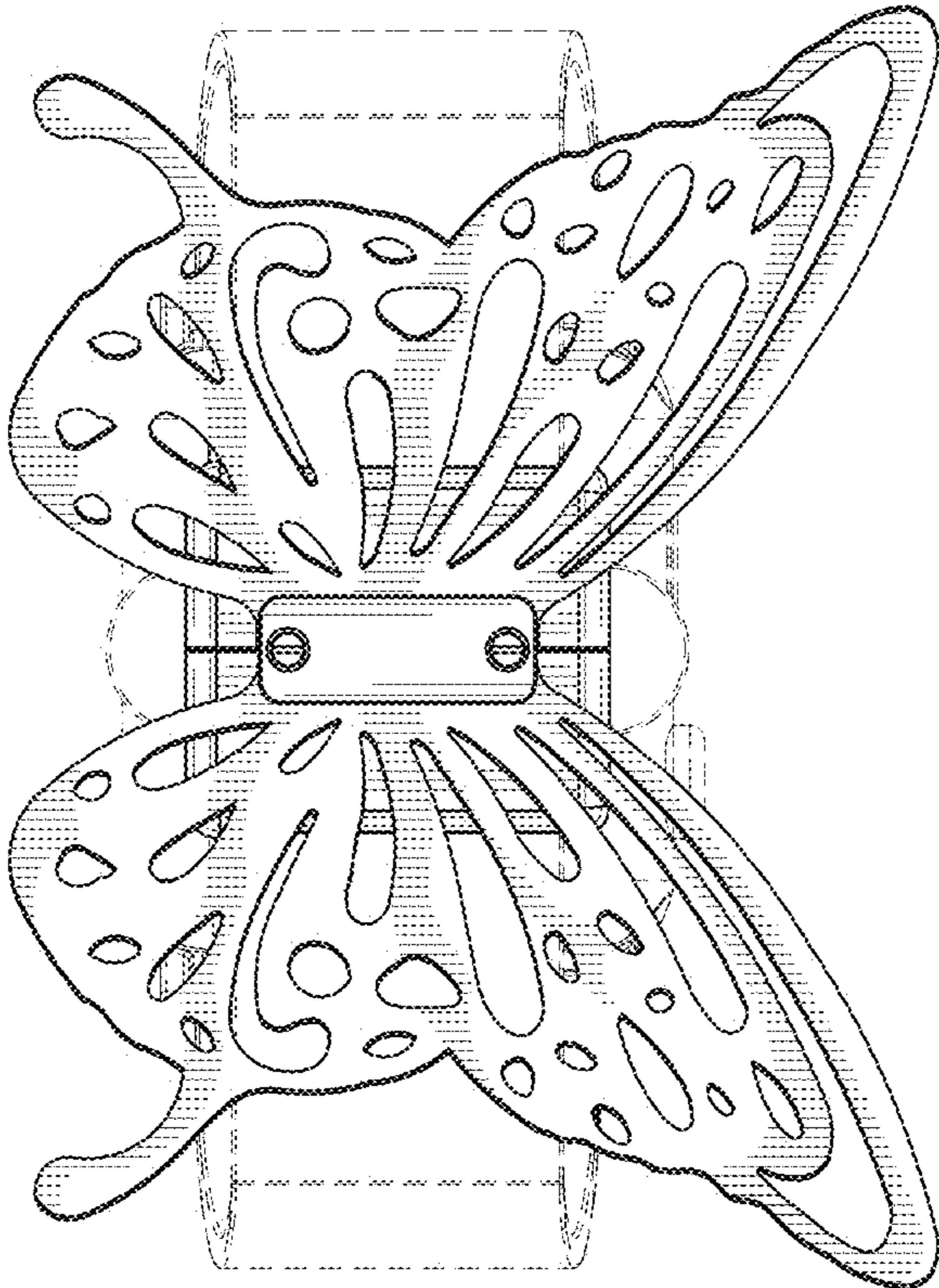


Fig.6

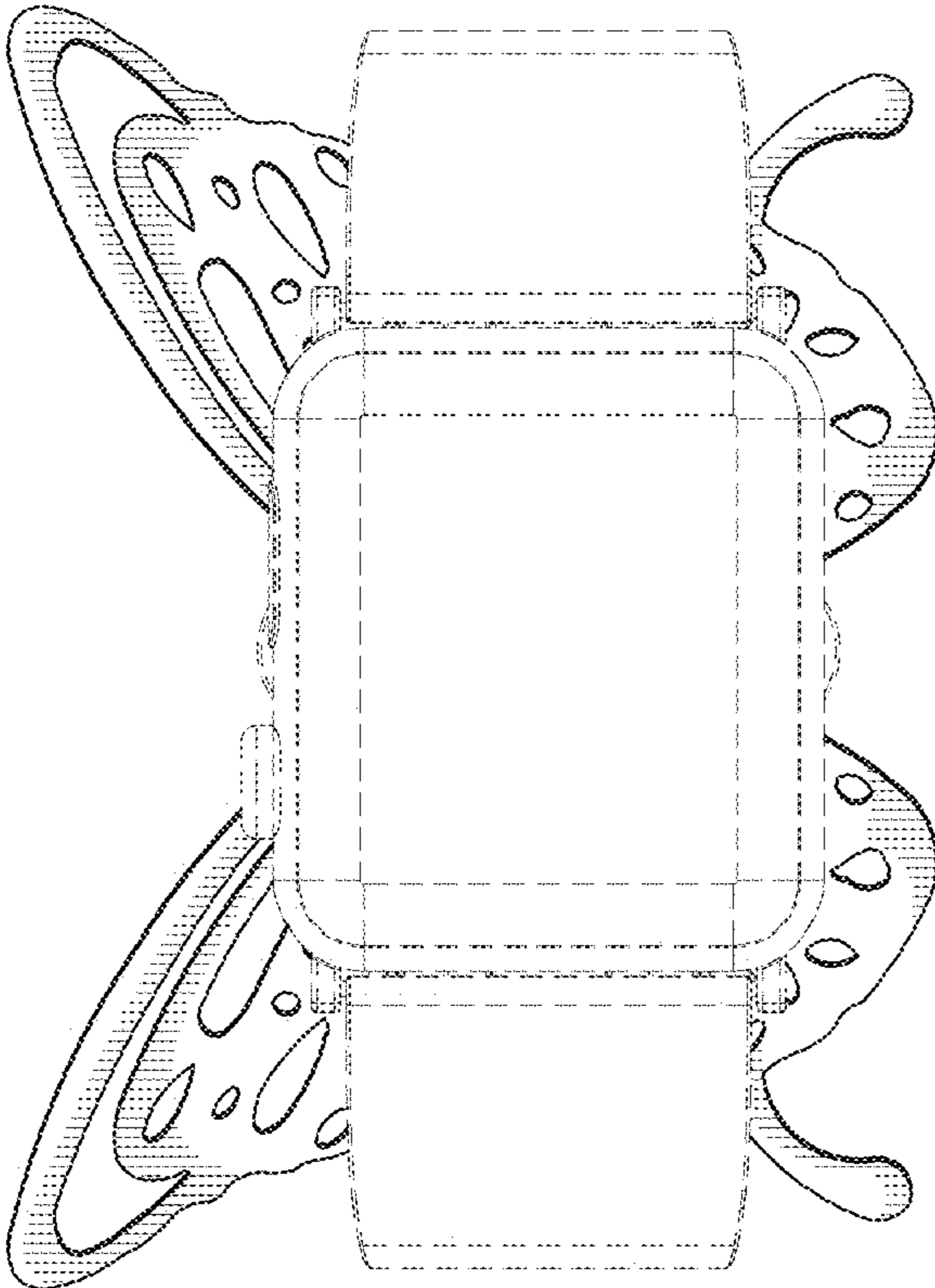


Fig. 7