



US00D939998S

(12) **United States Design Patent**
Huang

(10) **Patent No.:** **US D939,998 S**

(45) **Date of Patent:** **** Jan. 4, 2022**

- (54) **RING SIZE ADJUSTER**
- (71) Applicant: **Yiping Huang**, Guangdong (CN)
- (72) Inventor: **Yiping Huang**, Guangdong (CN)
- (**) Term: **15 Years**
- (21) Appl. No.: **29/769,442**
- (22) Filed: **Feb. 5, 2021**
- (51) **LOC (13) Cl.** **11-01**
- (52) **U.S. Cl.**
USPC **D11/86**
- (58) **Field of Classification Search**
USPC D11/86, 87
CPC A44C 9/00; A44C 9/01; A44C 9/02
See application file for complete search history.

- (56) **References Cited**
U.S. PATENT DOCUMENTS
- 4,215,556 A * 8/1980 Mroz A44C 9/02
63/15.6
- 4,480,447 A * 11/1984 Lodrini A44C 9/02
63/15.6
- 5,253,491 A * 10/1993 Buontempo A44C 9/02
63/15.6
- 5,628,208 A * 5/1997 Rood A44C 9/02
63/15.5

- 5,636,531 A * 6/1997 Miller A44C 9/02
63/15.6
- 6,003,334 A * 12/1999 Miller A44C 9/02
63/15.5
- 6,354,106 B1 * 3/2002 Kataw A44C 9/02
63/15.5
- D584,985 S * 1/2009 Lynch D11/26
- 7,735,337 B2 * 6/2010 Nanasi A44C 9/02
63/15.6
- D894,034 S 8/2020 Xu

* cited by examiner

Primary Examiner — Zenia I Bennett

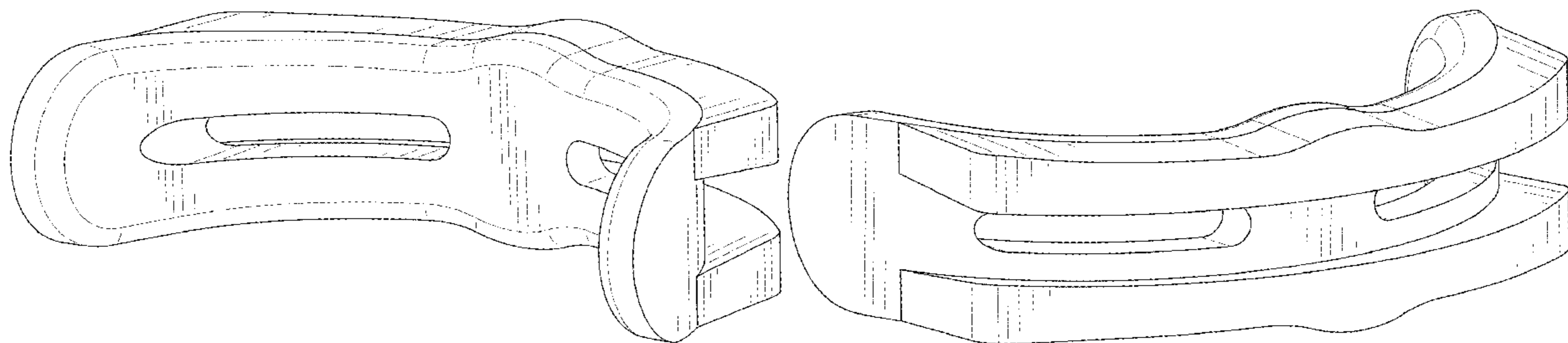
(57) **CLAIM**

The ornamental design for a ring size adjuster, as shown and described.

DESCRIPTION

FIG. 1 is a front and top perspective view of a ring size adjuster, showing my new design;
 FIG. 2 is a rear and top perspective view thereof;
 FIG. 3 is a front elevation view thereof;
 FIG. 4 is a rear elevation view thereof;
 FIG. 5 is a left side elevation view thereof;
 FIG. 6 is a right side elevation view thereof;
 FIG. 7 is a top plan view thereof; and,
 FIG. 8 is a bottom plan view thereof.
 The broken lines in the figures illustrate portions of the ring size adjuster that form no part of the claimed design.

1 Claim, 8 Drawing Sheets



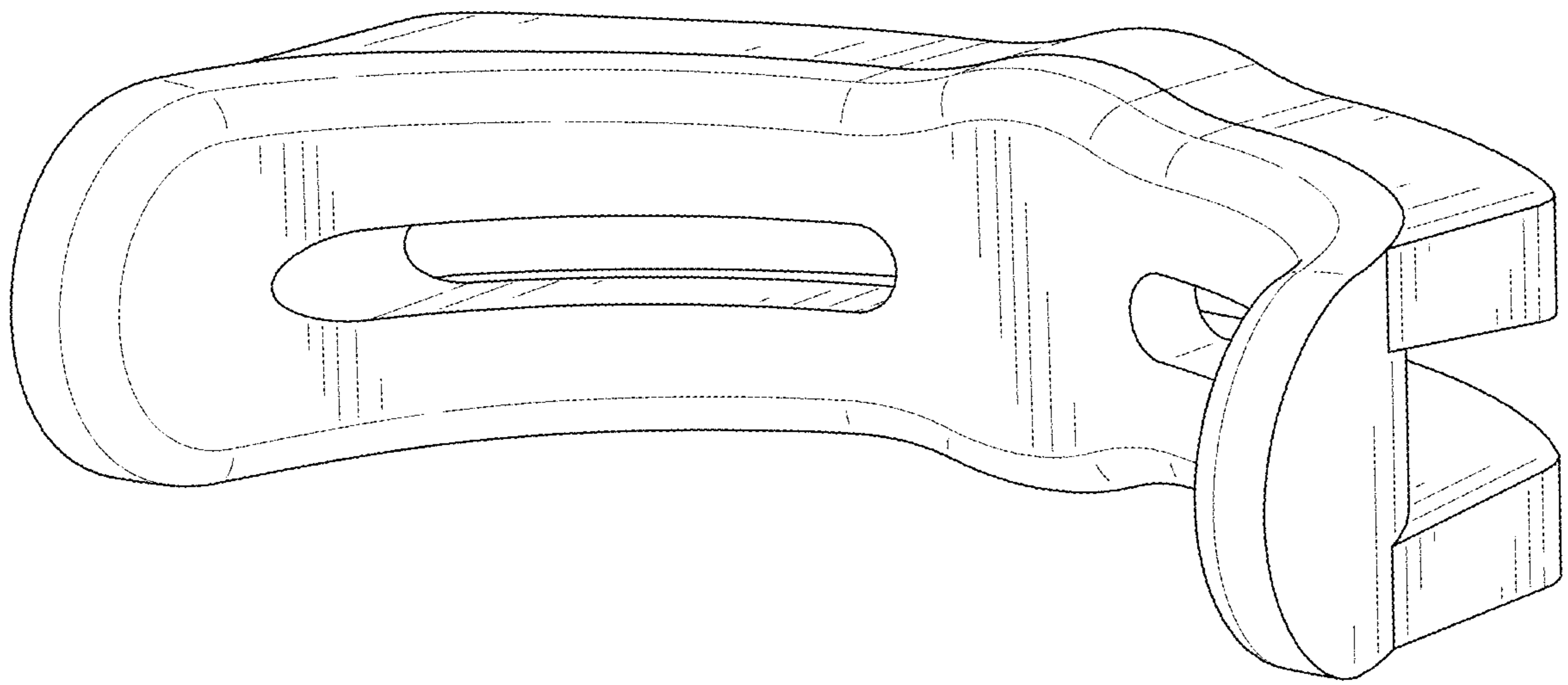


FIG. 1

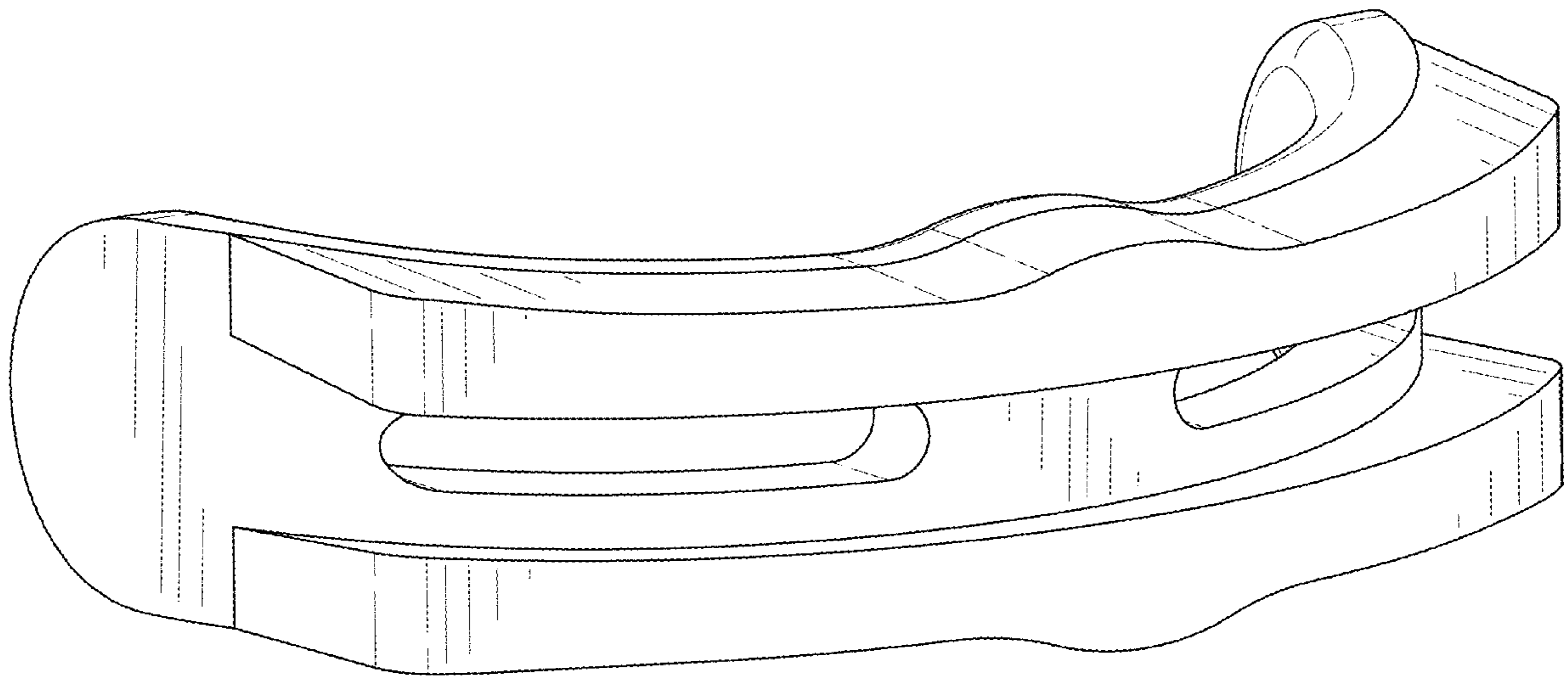


FIG. 2

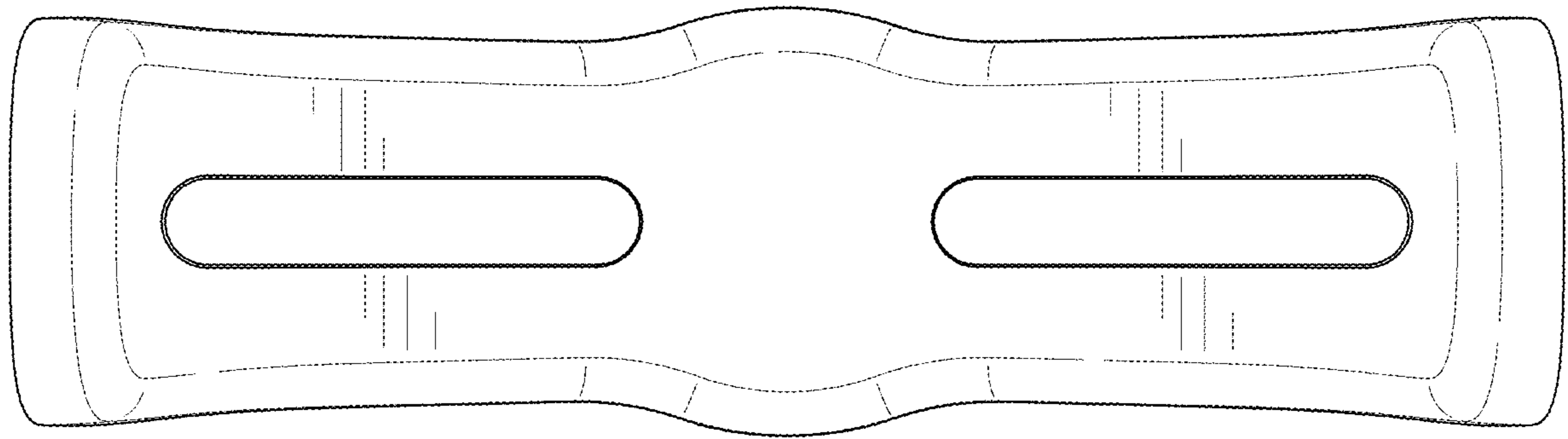


FIG. 3

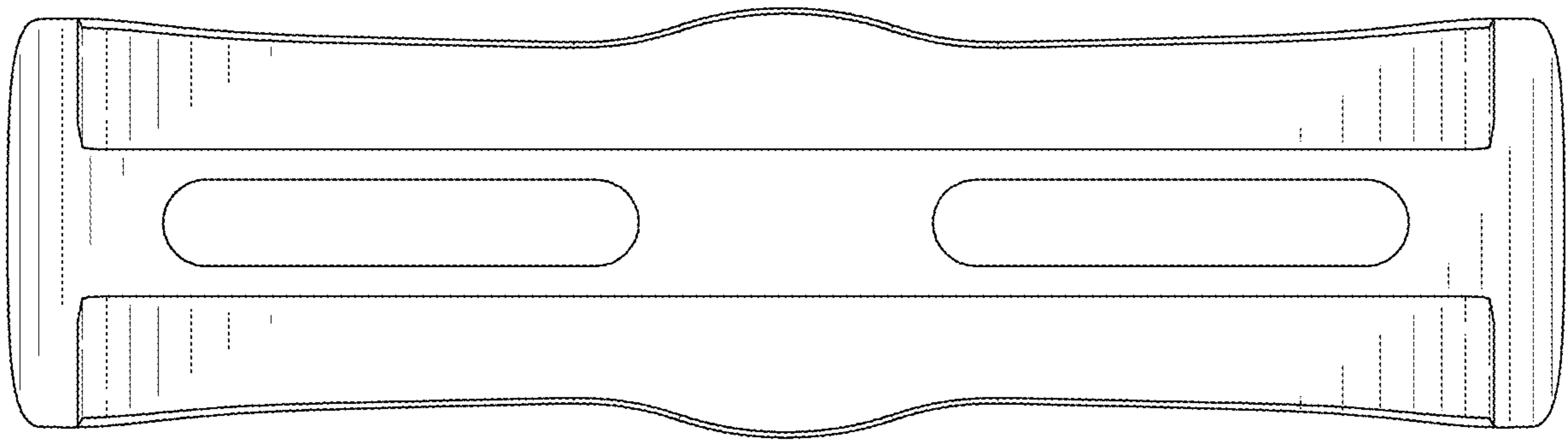


FIG. 4

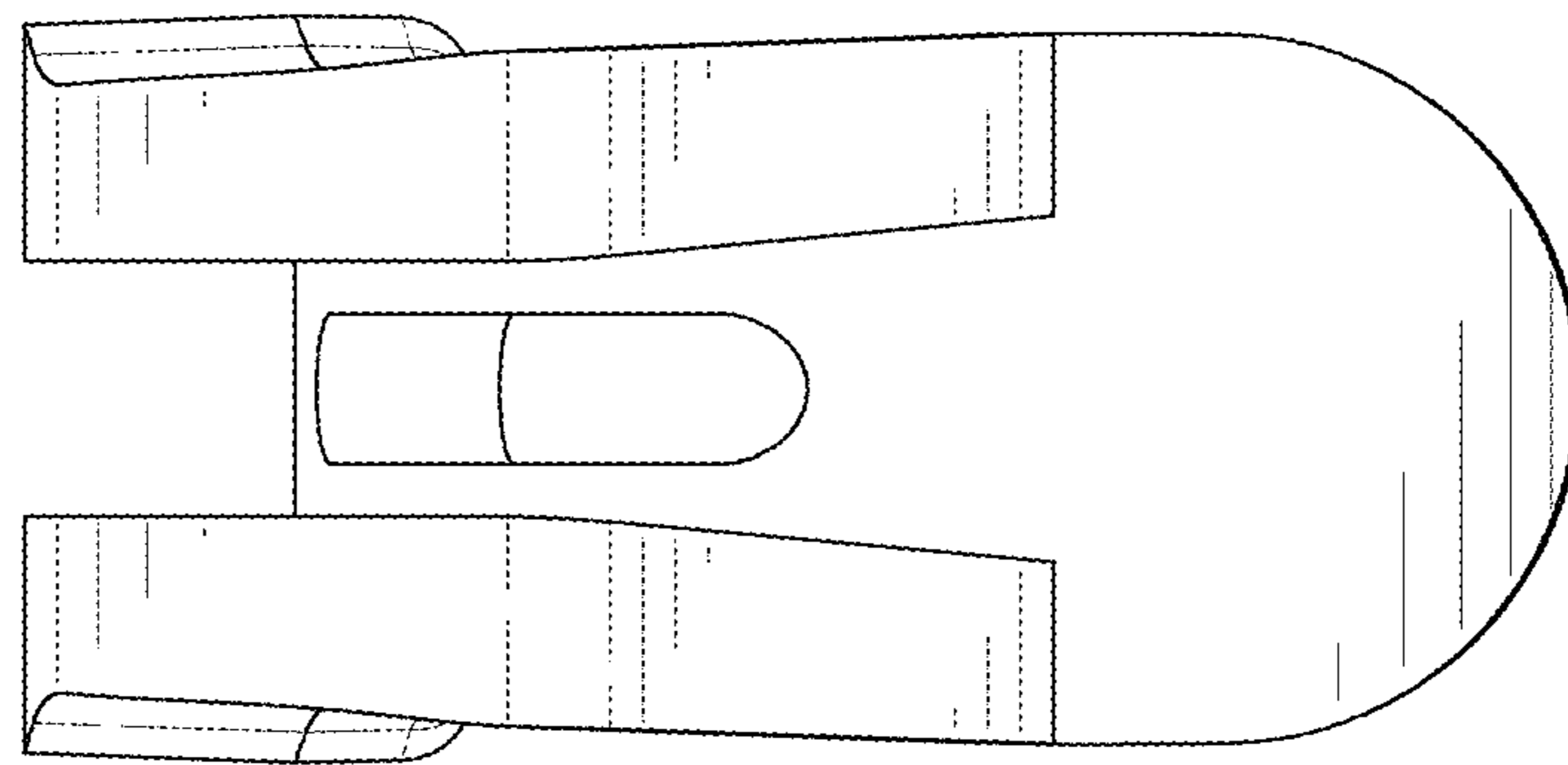


FIG. 5

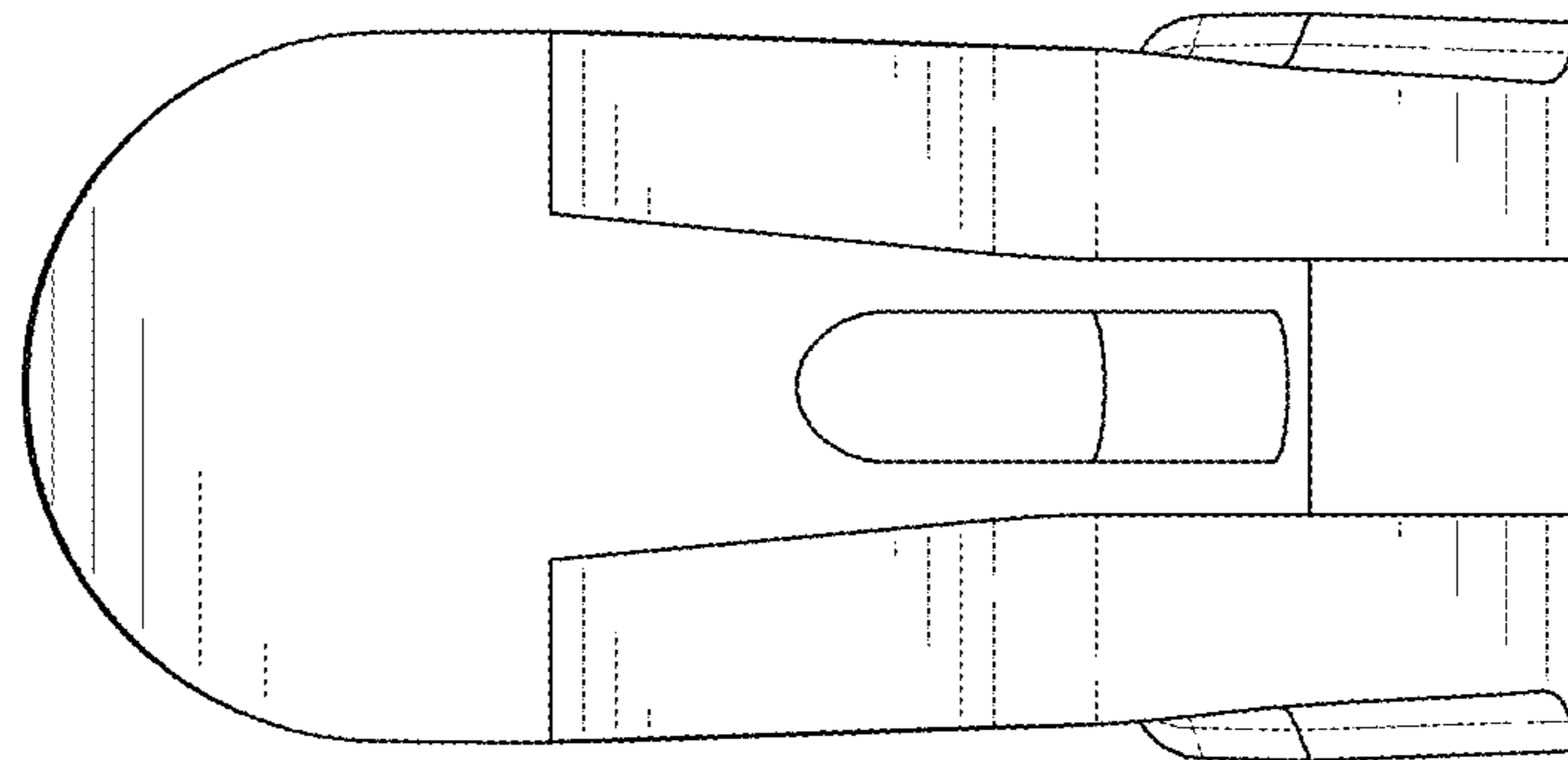


FIG. 6

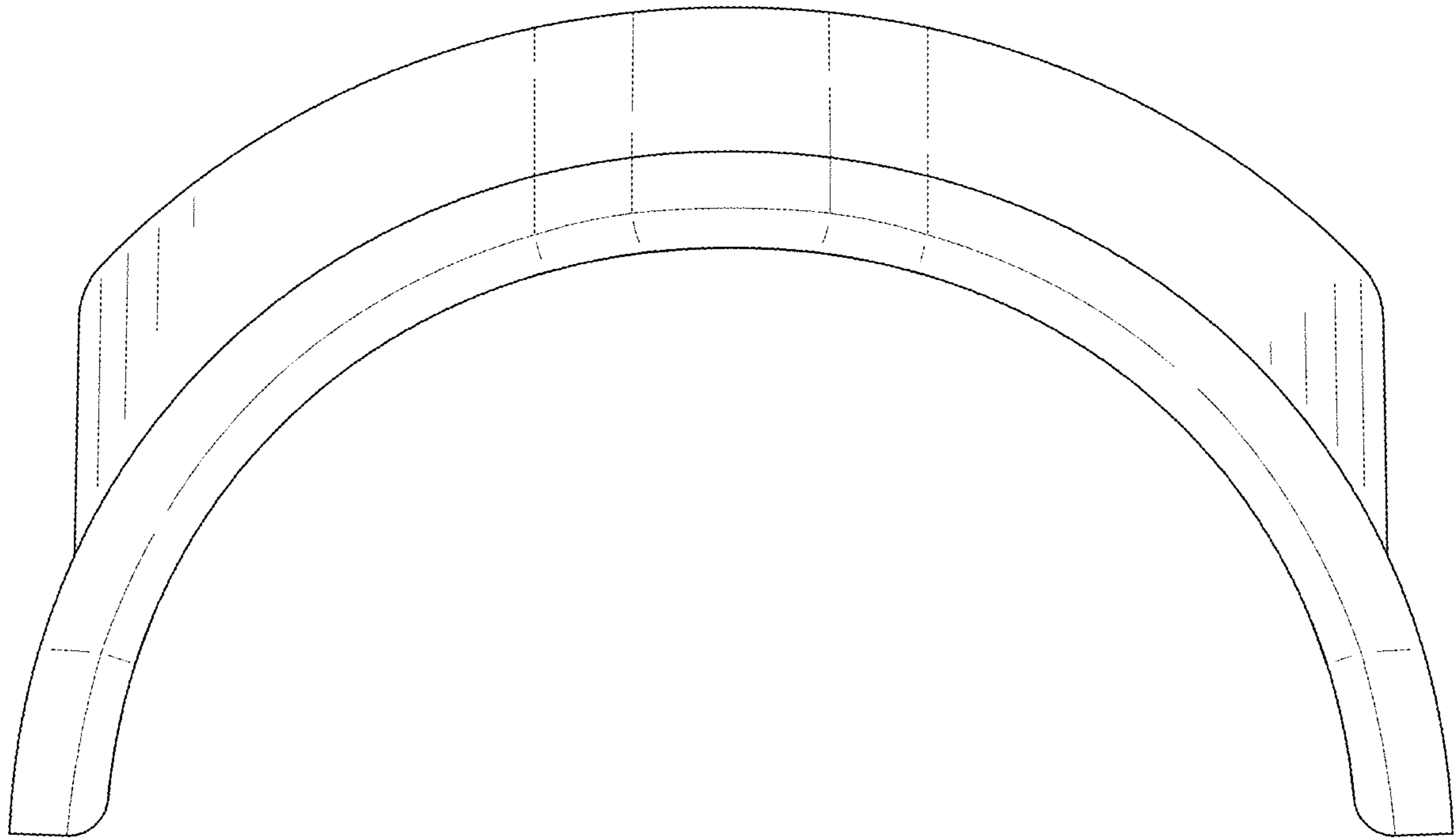


FIG. 7

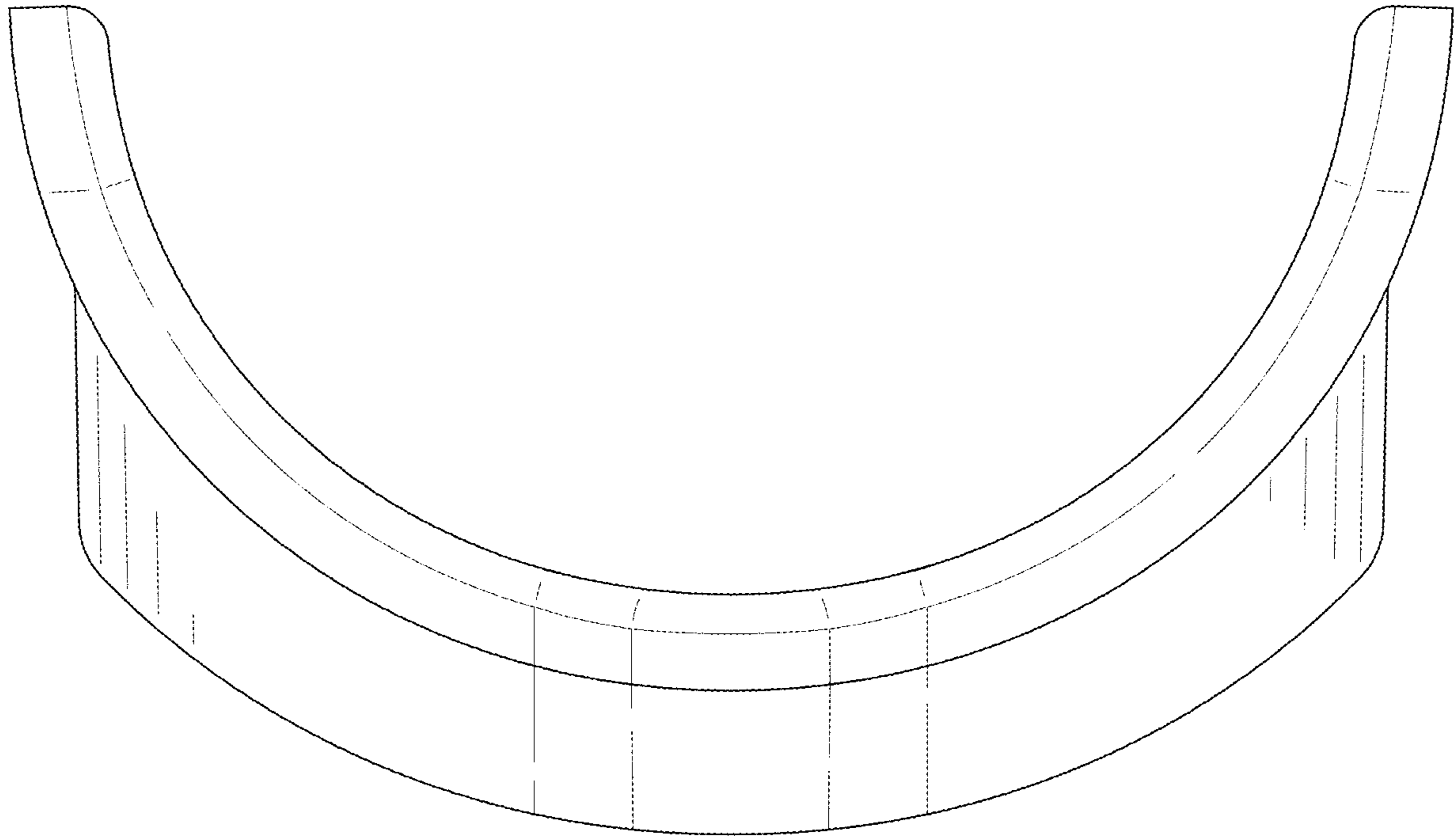


FIG. 8