



US00D939997S

(12) **United States Design Patent**
Breckner

(10) **Patent No.:** **US D939,997 S**

(45) **Date of Patent:** **** Jan. 4, 2022**

(54) **PENDANT**

(71) Applicant: **Joana Breckner**, Encino, CA (US)

(72) Inventor: **Joana Breckner**, Encino, CA (US)

(**) Term: **15 Years**

(21) Appl. No.: **29/700,206**

(22) Filed: **Jul. 31, 2019**

(51) **LOC (13) Cl.** **11-01**

(52) **U.S. Cl.**

USPC **D11/79**

(58) **Field of Classification Search**

USPC D11/1-18, 26, 30, 39, 40-49, 56, 57, 58,
D11/60, 61, 64, 72, 75, 76, 78-86,
D11/95-100, 102-103, 115, 116, 27, 28,
D11/34

CPC .. A44C 1/00; A44C 3/00; A44C 3/001; A44C
3/004; A44C 3/005; A44C 5/00; A44C
5/02; A44C 7/00; A44C 7/002; A44C
7/003; A44C 7/004; A44C 7/005; A44C
7/006; A44C 7/007; A44C 7/008; A44C
9/00; A44C 9/0007; A44C 9/0015; A44C
9/0023; A44C 9/003; A44C 15/00; A44C
15/0015; A44C 15/002; A44C 15/0025;
A44C 15/005; A44C 15/0055; A44C
21/00; A44C 23/00; A44C 25/00; A44C
25/001; A44C 25/002; A44C 25/005;
A44C 25/007; A44C 25/008

See application file for complete search history.

(56) **References Cited**

U.S. PATENT DOCUMENTS

D58,159 S * 6/1921 Morse D21/408
D199,538 S * 11/1964 Sand D11/79
D268,336 S * 3/1983 Shapiro D11/76
D301,314 S * 5/1989 Shapiro D11/75
D434,688 S * 12/2000 Bulgari D11/26
D567,134 S * 4/2008 Bulgari D11/45
D567,700 S * 4/2008 Bulgari D11/26

D630,964 S * 1/2011 Bulgari D11/39
D654,822 S * 2/2012 Greppi D11/86
D695,643 S * 12/2013 Wolff D11/79
D717,687 S * 11/2014 Krahbichler D11/79

(Continued)

FOREIGN PATENT DOCUMENTS

CN 305027392 * 2/2015

OTHER PUBLICATIONS

Tsy Black Tourmaline Inspirational Necklace, no date available,
[online], [site visited Oct. 6, 2020]. Retrieved from url:https://www.etsy.com/listing/739670818/black-tourmaline-inspirational-necklace?ref=shop_home_active_1&frs=1 (Year: 2020).*

(Continued)

Primary Examiner — Wendy L Arminio

Assistant Examiner — Tracey J Bell

(74) *Attorney, Agent, or Firm* — Stetina Brunda Garred & Brucker

(57) **CLAIM**

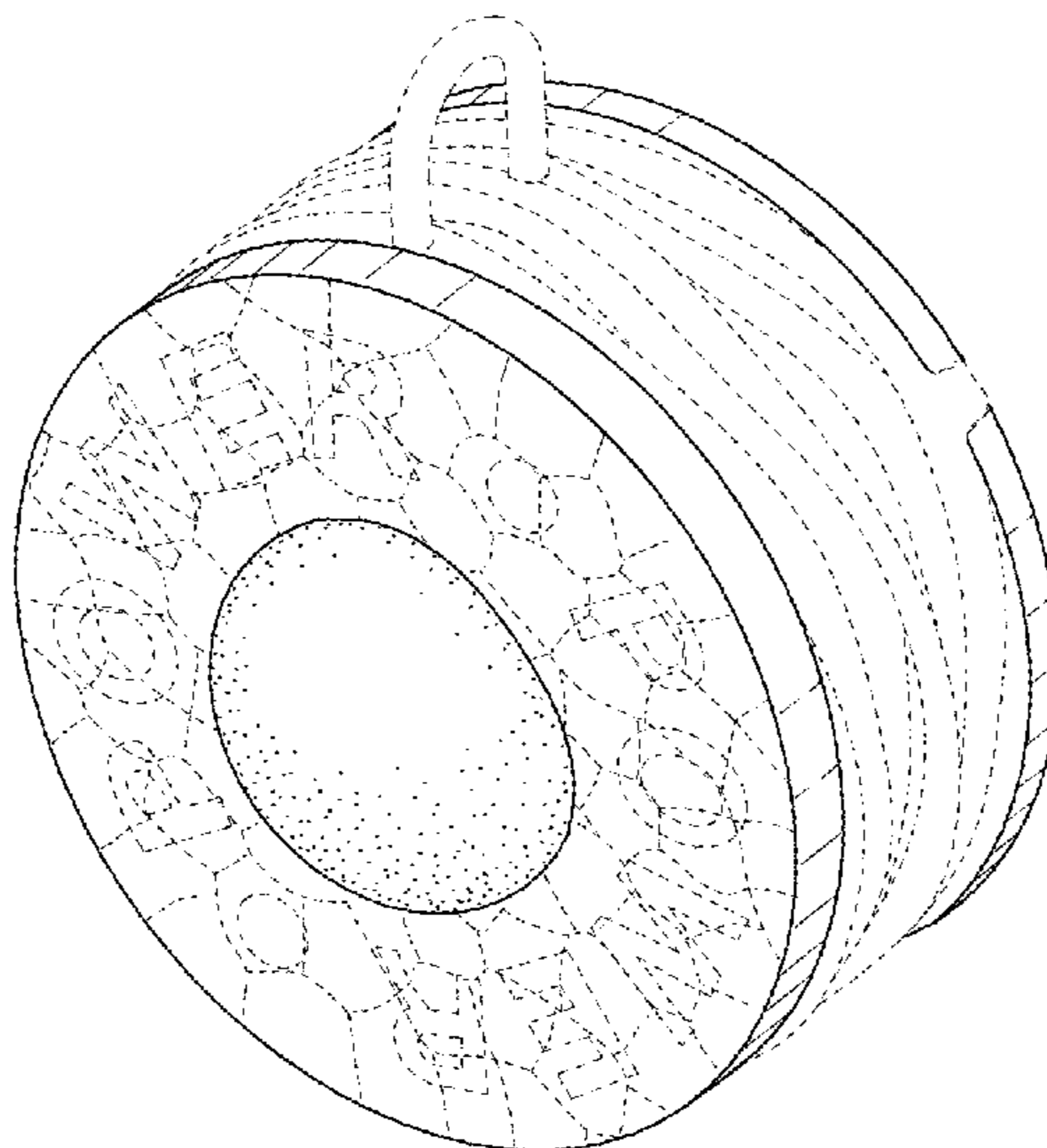
The ornamental design for a pendant, as shown and described.

DESCRIPTION

FIG. 1 is a top, front perspective view of the pendant of the present invention showing my new design; FIG. 2 is a front elevational view thereof; FIG. 3 is a rear elevational view thereof; FIG. 4 is a top plan view thereof; FIG. 5 is a bottom plan view thereof; FIG. 6 is a right-side elevational view thereof; and, FIG. 7 is a left-side elevational view thereof.

The broken lines depict portions of the pendant that form no part of the claimed design. The surfaces that are unshaded and occur below the broken lines on the front and rear of the pendant form no part of the claimed design.

1 Claim, 3 Drawing Sheets



(56)

References Cited

U.S. PATENT DOCUMENTS

D725,537 S * 3/2015 Wellendorff D11/79
D814,960 S * 4/2018 Hadid D11/39

OTHER PUBLICATIONS

Amazon Coear, Mar. 19, 2020, [online], [site visited Aug. 19, 2021]. Retrieved from url:https://www.amazon.com/COOEAR-Stainless-Gauges-Tunnels-Earrings/dp/B0863LXGJF/ref=sr_1_1144?brr=1&dchild=1&qid=1629385452&rd=1&s=apparel&sr=1-1144&th=1 (Year: 2020).*

* cited by examiner

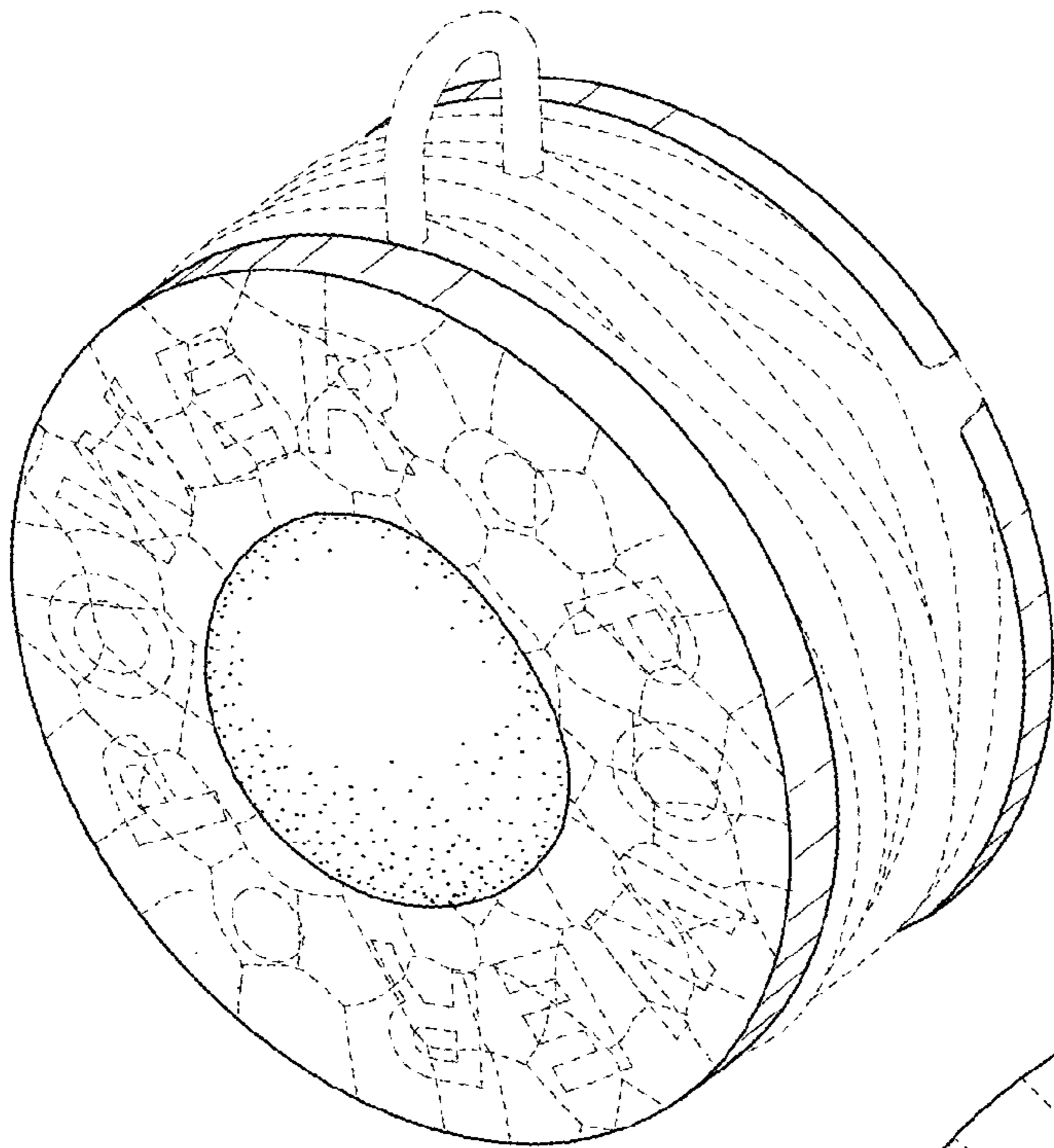


FIG. 1

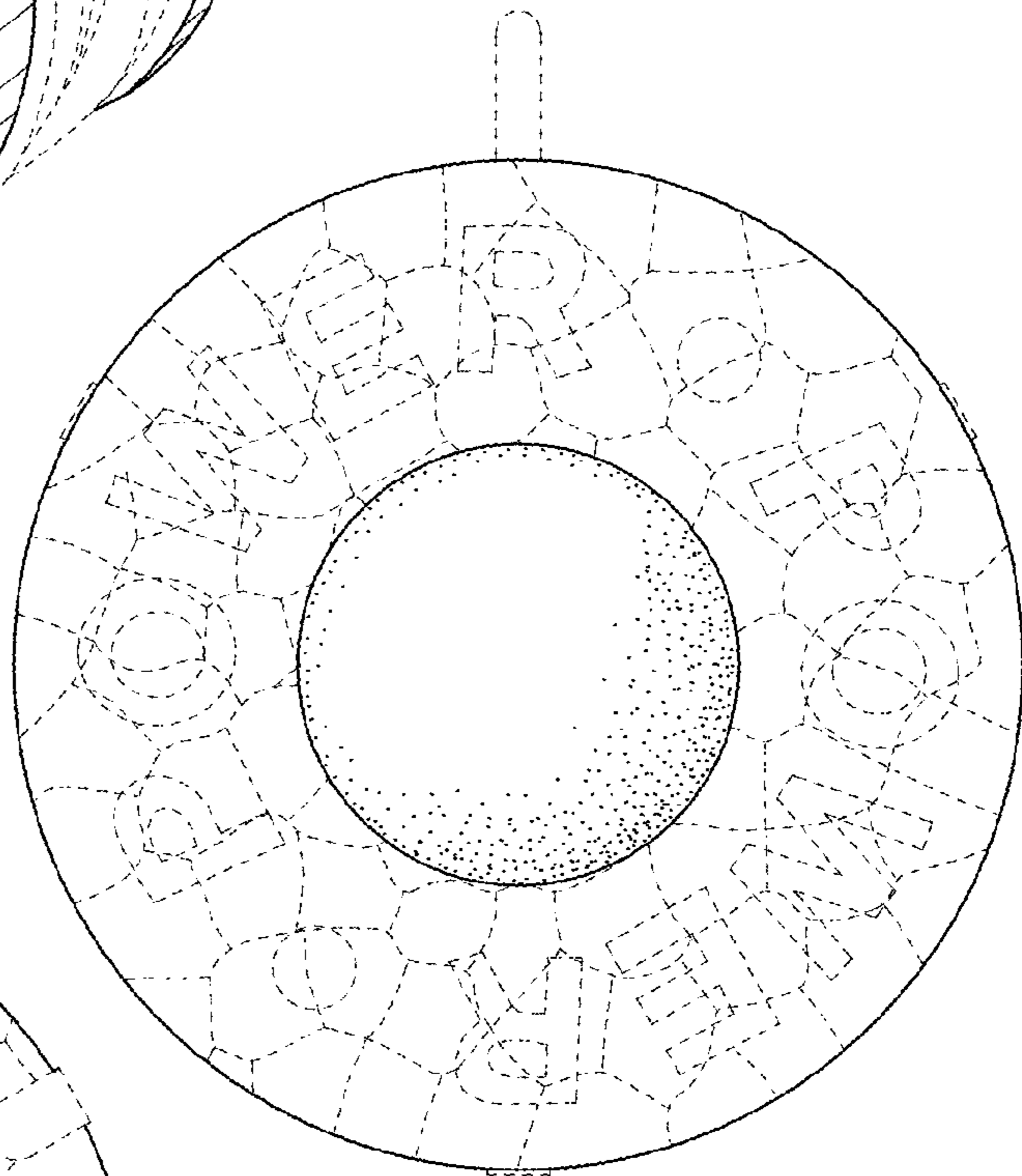


FIG. 2

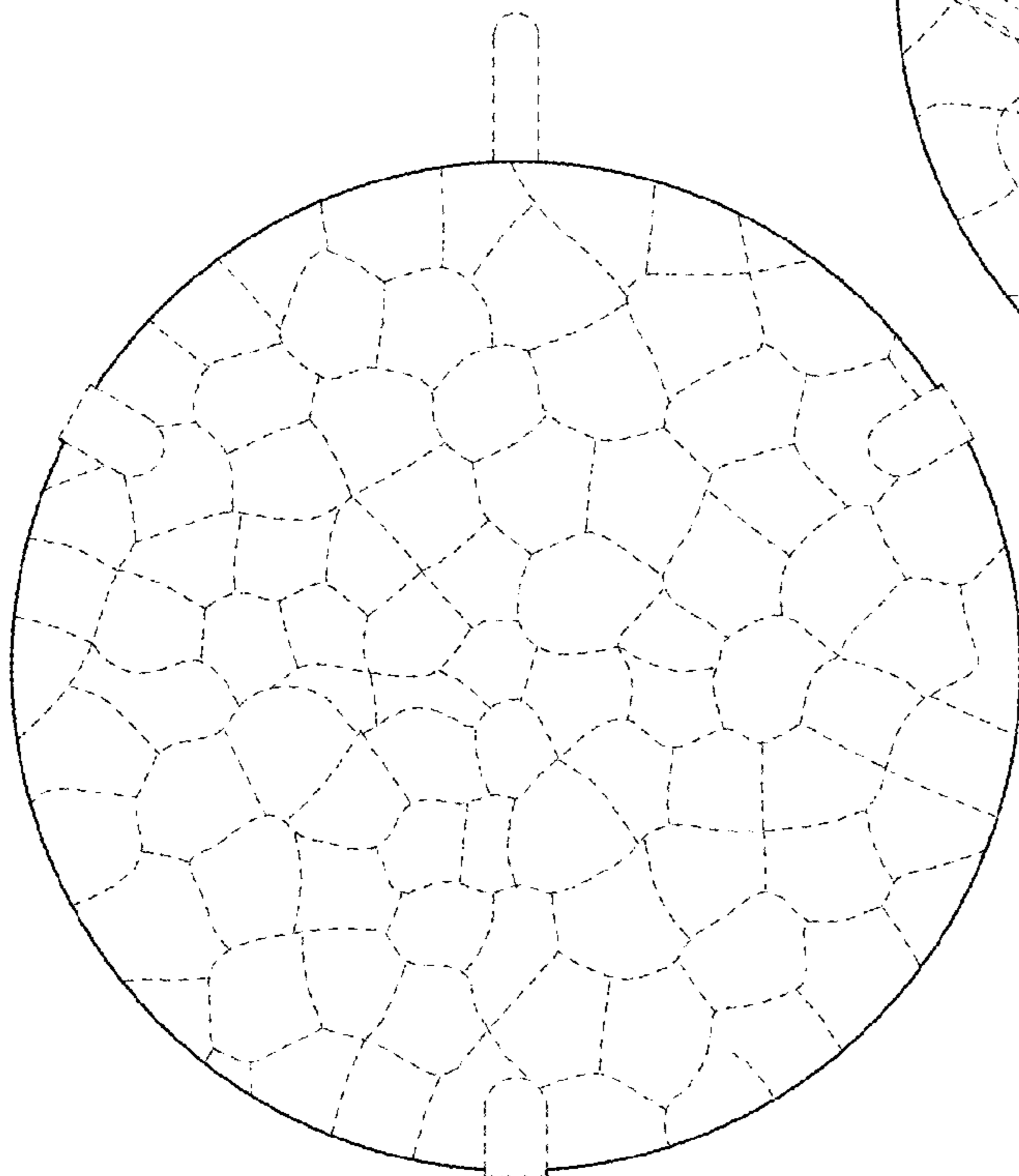


FIG. 3

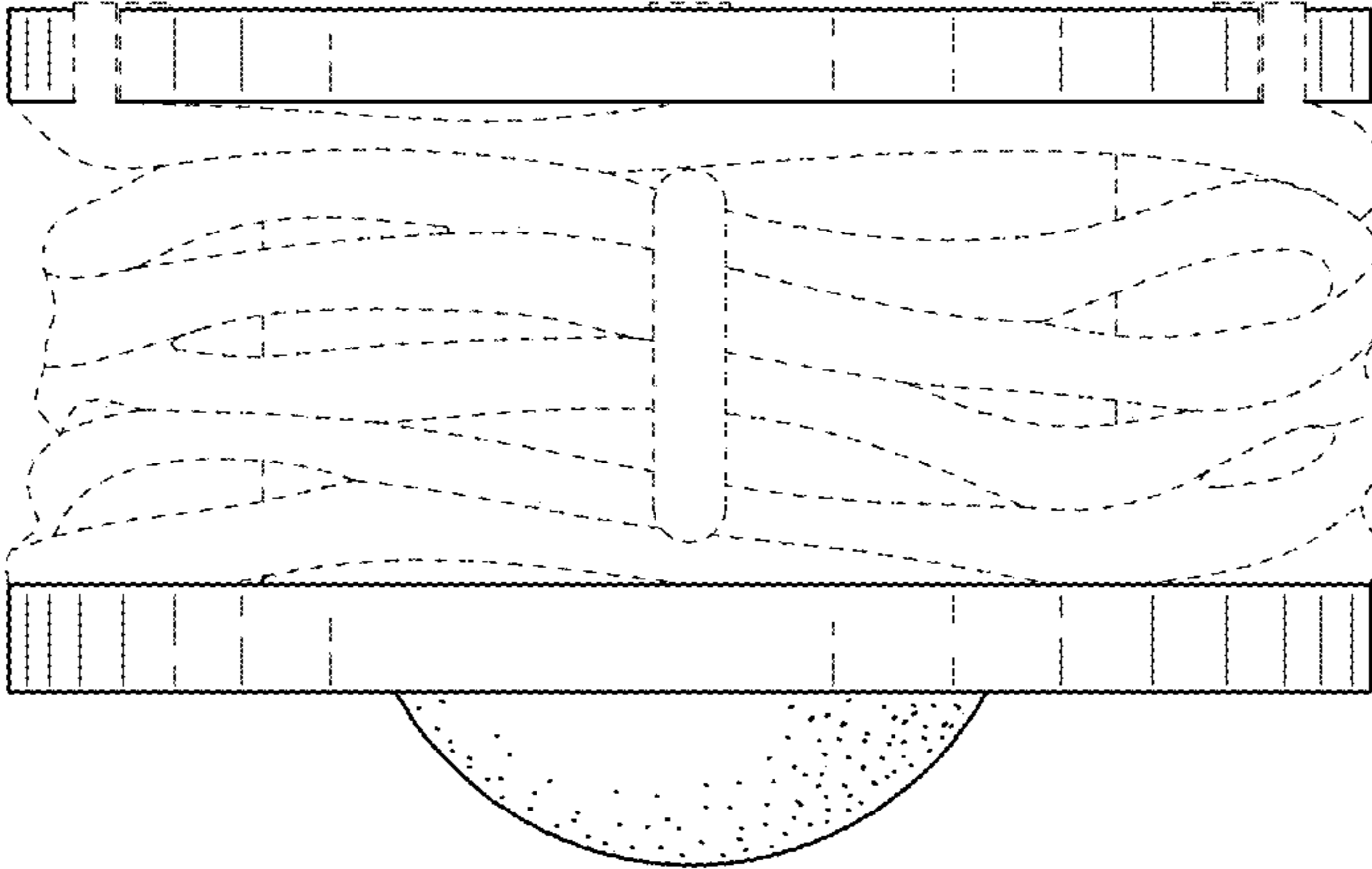


FIG. 4

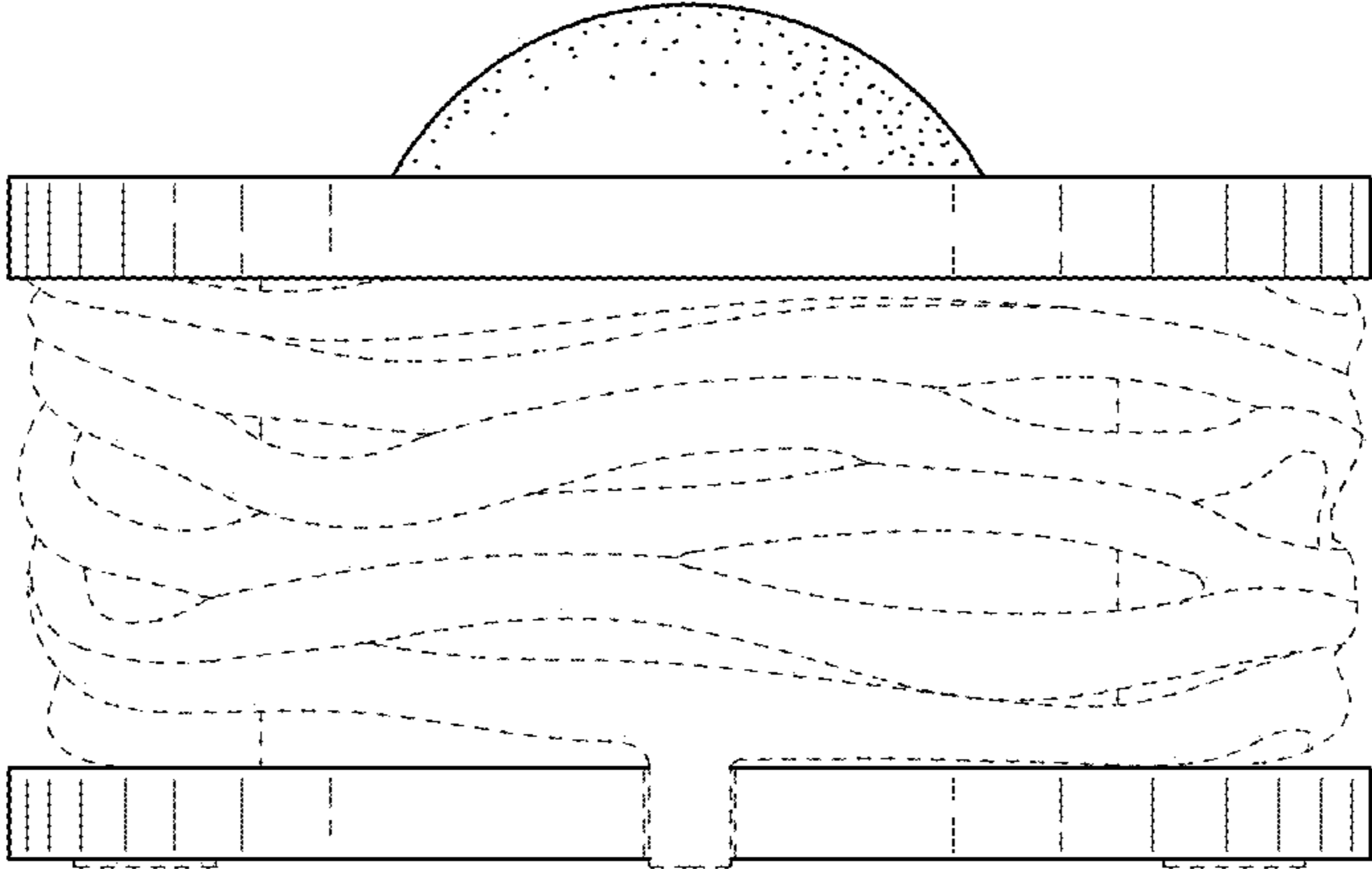


FIG. 5

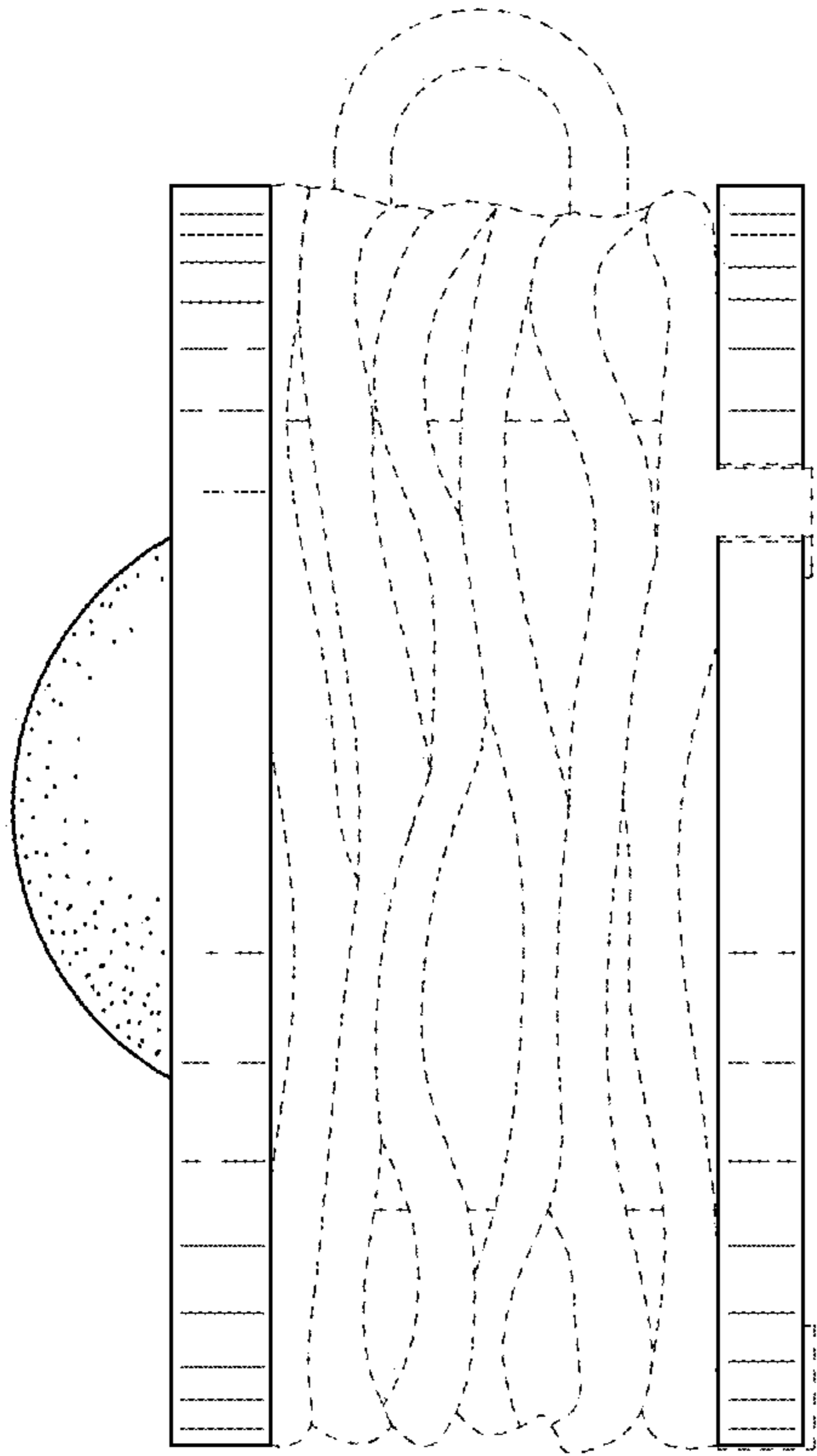


FIG. 6

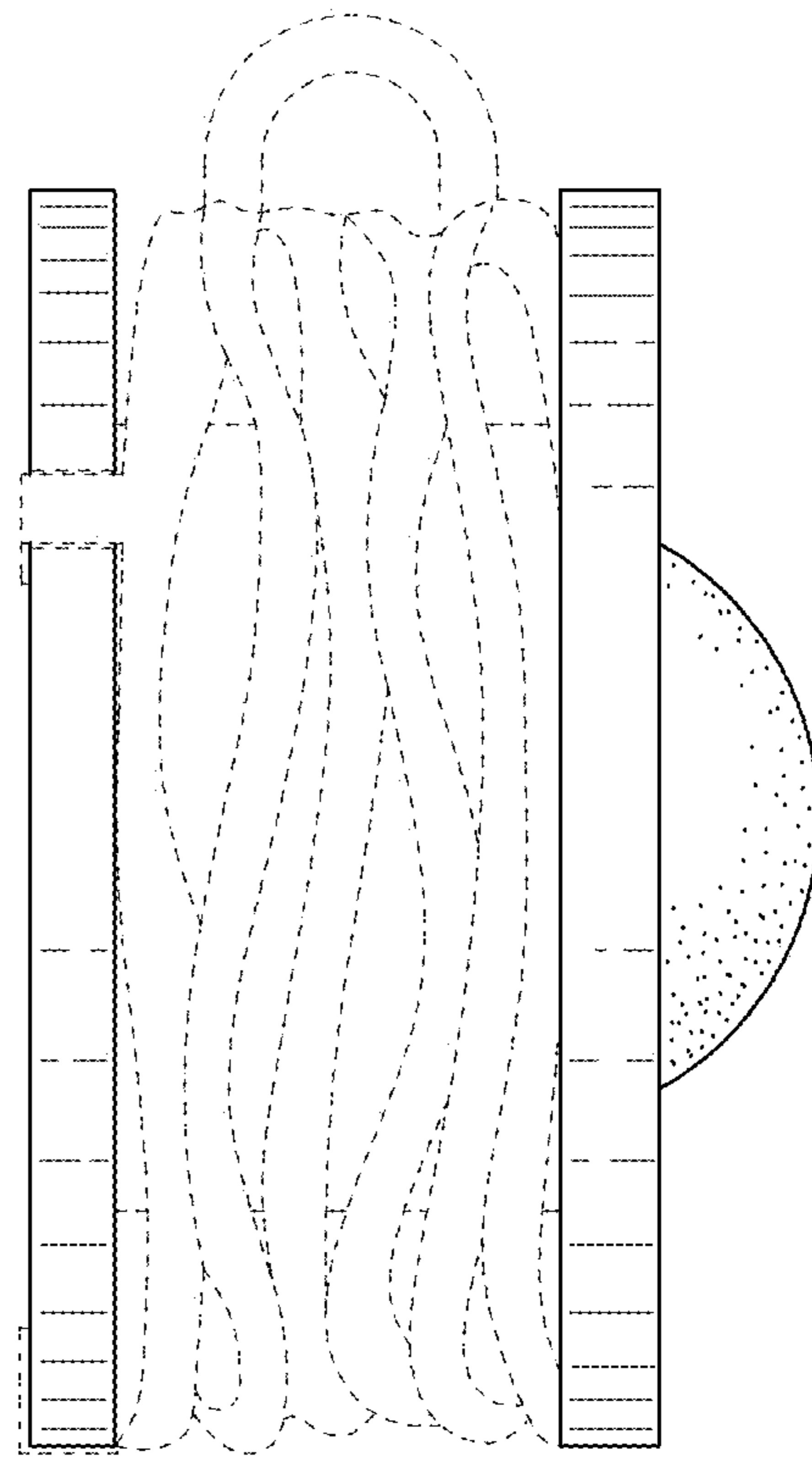


FIG. 7