



US00D93996S

(12) **United States Design Patent** (10) **Patent No.:** **US D939,996 S**  
**Morin** (45) **Date of Patent:** **\*\* Jan. 4, 2022**

(54) **EARRING**  
(71) Applicant: **CARTIER INTERNATIONAL AG,**  
Steinhausen (CH)  
(72) Inventor: **Flora Morin,** Conflans Sainte Honorine  
(FR)  
(73) Assignee: **CARTIER INTERNATIONAL AG,**  
Steinhausen (CH)

D834,987 S \* 12/2018 Morin ..... D11/34  
D909,232 S \* 2/2021 Morin ..... D11/16  
D912,564 S \* 3/2021 Morin ..... D11/6  
D914,538 S \* 3/2021 Yamada ..... D11/79  
D918,083 S \* 5/2021 Yamada ..... D11/42  
D921,517 S \* 6/2021 Morin ..... D11/26  
D925,387 S \* 7/2021 Morin ..... D11/6

(Continued)

(\*\*) Term: **15 Years**

**FOREIGN PATENT DOCUMENTS**

RU 00116882 \* 10/2019  
WO D079175-006 \* 2/2013

(Continued)

(21) Appl. No.: **29/728,041**

**OTHER PUBLICATIONS**

(22) Filed: **Mar. 16, 2020**

Clash de Cartier Earring Large Model, available 2021, online, site visited Oct. 20, 2021. Available online, URL: <https://www.cartier.com/en-us/collections/jewelry/earrings/clash-de-cartier-earrings/n8515220-clash-de-cartier-earring-large-model.html> (Year: 2021).\*

(Continued)

(30) **Foreign Application Priority Data**

Sep. 16, 2019 (WO) ..... WIPO87338

(51) **LOC (13) Cl.** ..... **11-01**

(52) **U.S. Cl.**  
USPC ..... **D11/42**

(58) **Field of Classification Search**  
USPC ..... D11/1-18, 26-39, 40-45, 75-79, 85-86  
CPC ..... A44C 7/00-009  
See application file for complete search history.

*Primary Examiner* — W. A. Teddy Falloway

*Assistant Examiner* — Sarah J Ault

(74) *Attorney, Agent, or Firm* — Oliff PLC

(56) **References Cited**

(57) **CLAIM**

The ornamental design for an earring, as shown and described.

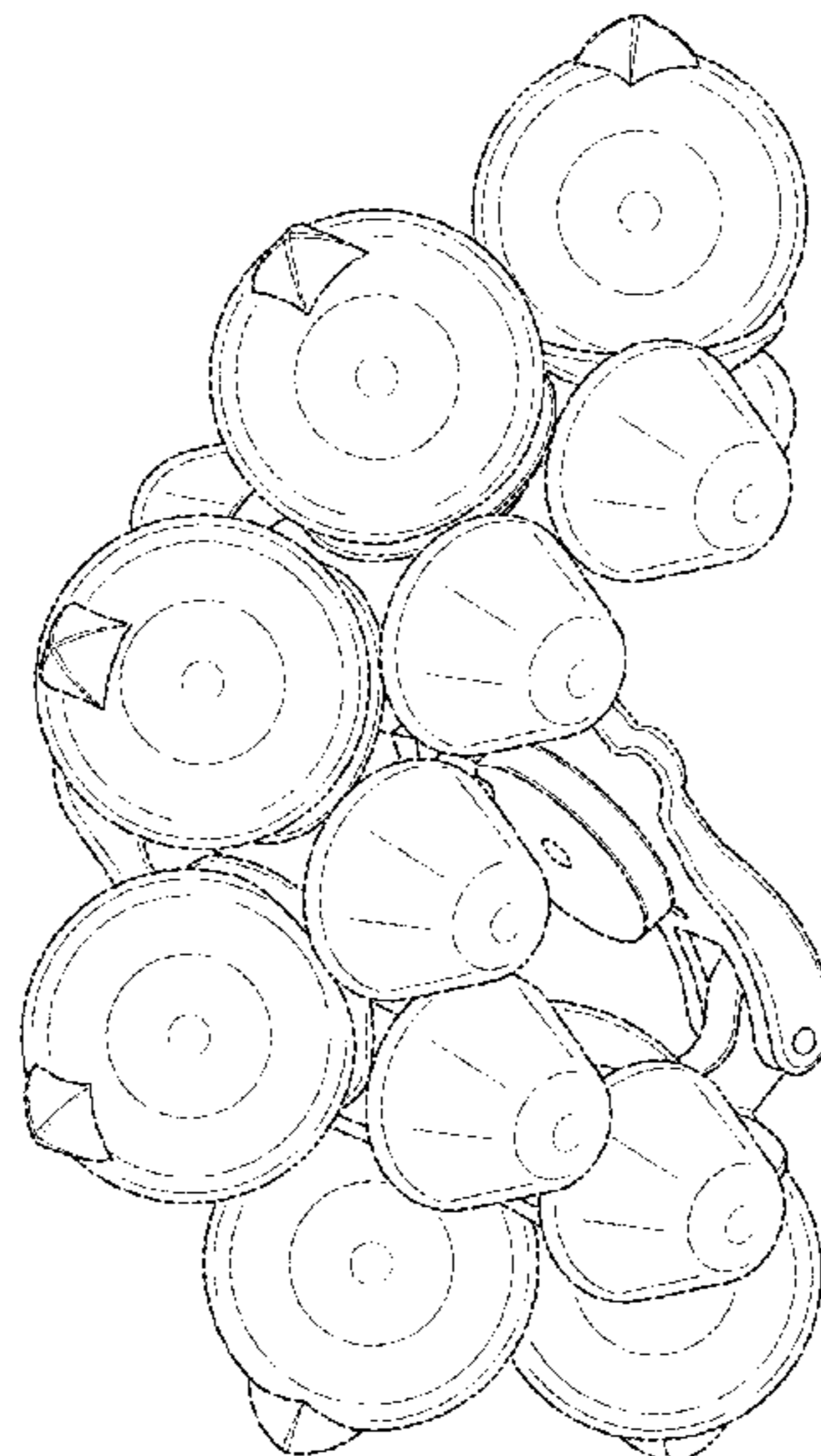
**U.S. PATENT DOCUMENTS**

**DESCRIPTION**

430,295 A \* 6/1890 Mathewson ..... A44C 11/002  
63/3  
D78,900 S \* 7/1929 Saccoccia ..... D11/17  
1,891,056 A \* 12/1932 Schoeninger ..... A44C 5/102  
59/80  
D142,713 S \* 10/1945 Graeter ..... D10/32  
D146,844 S \* 6/1947 Arpels ..... D11/86  
D147,663 S \* 10/1947 Katz ..... D11/75  
D292,560 S \* 11/1987 Di Maria ..... D11/27  
D691,505 S \* 10/2013 Fillon ..... D11/3  
D722,905 S \* 2/2015 Wempe ..... D11/34  
D809,419 S \* 2/2018 Hardy ..... D11/42

FIG. 1 is a front, right-side, top perspective view of the earring;  
FIG. 2 is a front elevational view thereof;  
FIG. 3 is a rear elevational view thereof;  
FIG. 4 is a left-side elevational view thereof;  
FIG. 5 is a right-side elevational view thereof;  
FIG. 6 is a top plan view thereof; and,  
FIG. 7 is a bottom plan view thereof.

**1 Claim, 7 Drawing Sheets**



(56)

**References Cited**

U.S. PATENT DOCUMENTS

D926,069 S \* 7/2021 Morin ..... D11/8  
D926,070 S \* 7/2021 Morin ..... D11/8  
D926,071 S \* 7/2021 Morin ..... D11/16  
D927,343 S \* 8/2021 Morin ..... D11/41  
D927,344 S \* 8/2021 Morin ..... D11/42  
D929,885 S \* 9/2021 Morin ..... D11/12  
D929,886 S \* 9/2021 Morin ..... D11/12  
D929,887 S \* 9/2021 Morin ..... D11/16  
D929,888 S \* 9/2021 Morin ..... D11/26  
D930,496 S \* 9/2021 Morin ..... D11/6  
D931,753 S \* 9/2021 Yamada ..... D11/26

FOREIGN PATENT DOCUMENTS

WO D099538-021 \* 2/2018  
WO D099538-029 \* 2/2018

OTHER PUBLICATIONS

Clash de Cartier Single Earring XL Model, available 2021, online, site visited Oct. 20, 2021. Available online, URL: <https://www.cartier.com/en-us/collections/jewelry/earrings/clash-de-cartier-earrings/n8515218-clash-de-cartier-earring-large-model.html> (Year: 2021).\*

\* cited by examiner

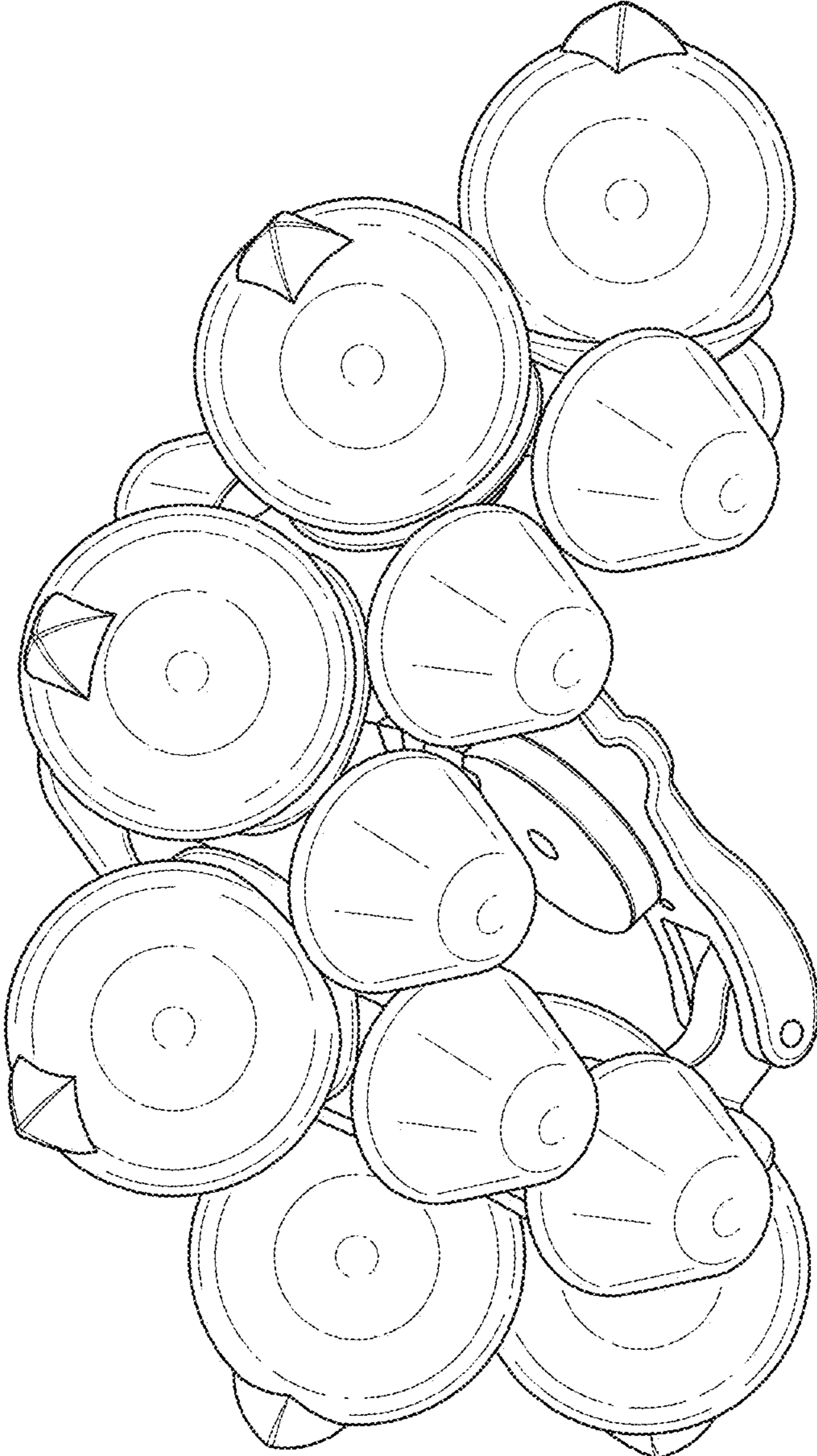


FIG. 1

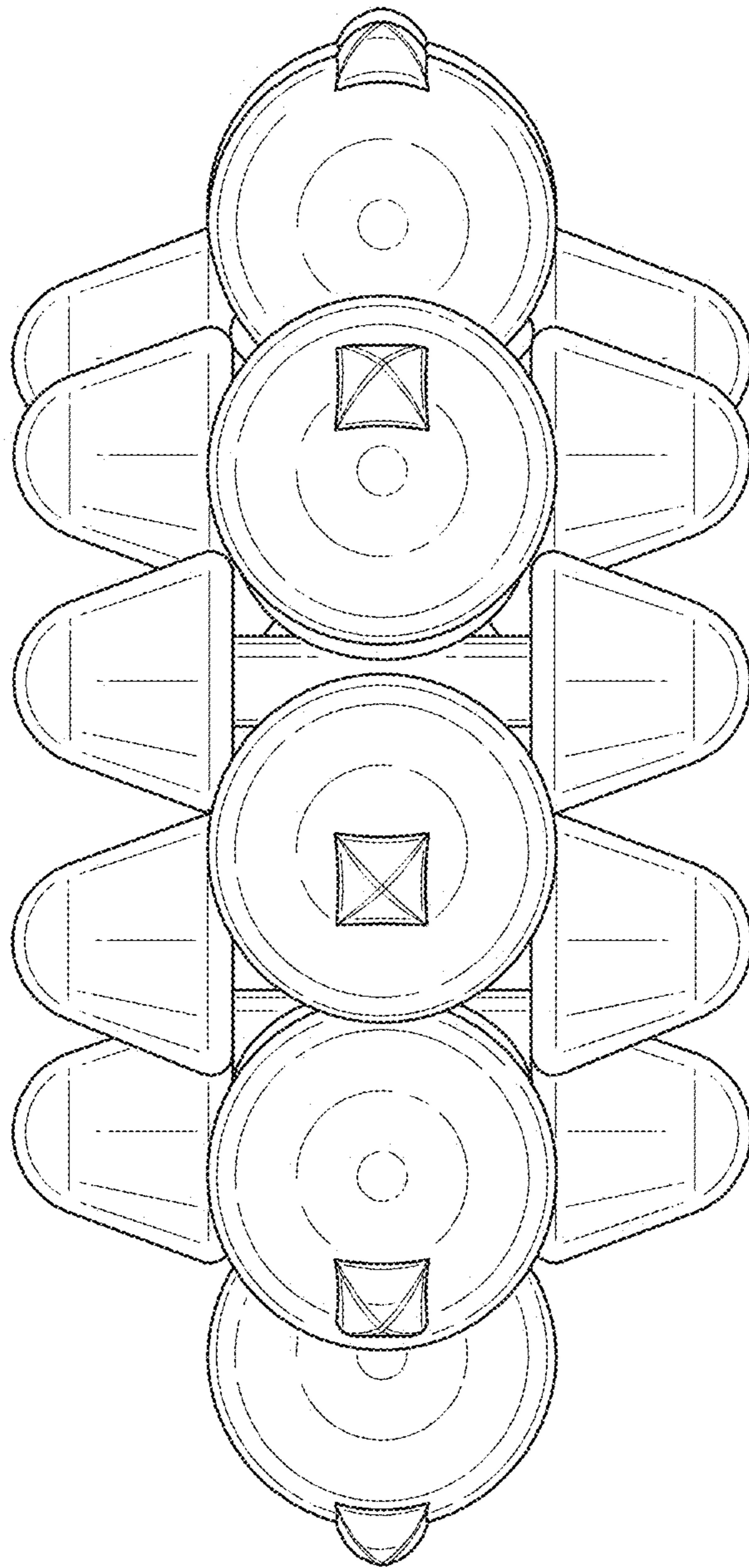


FIG. 2

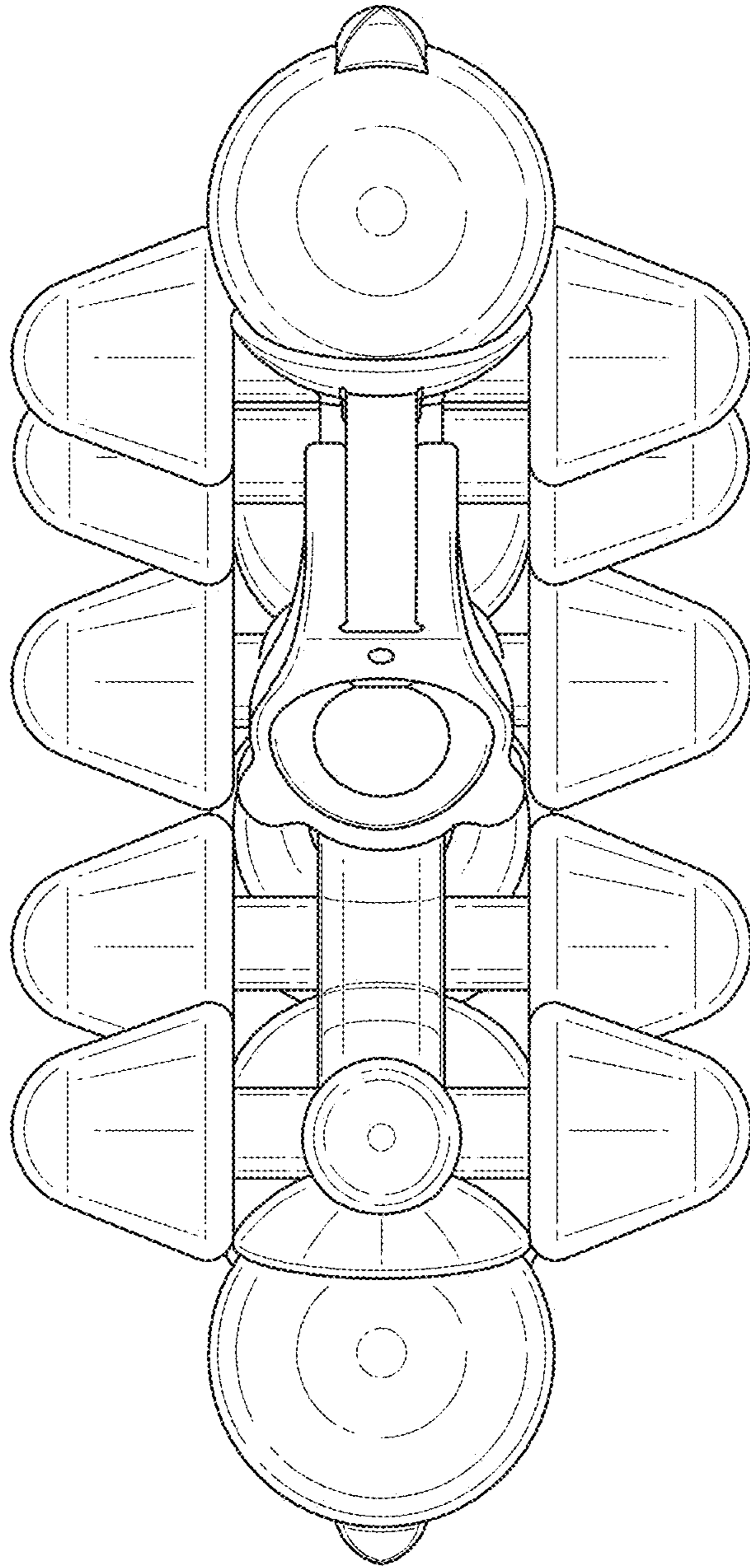


FIG. 3

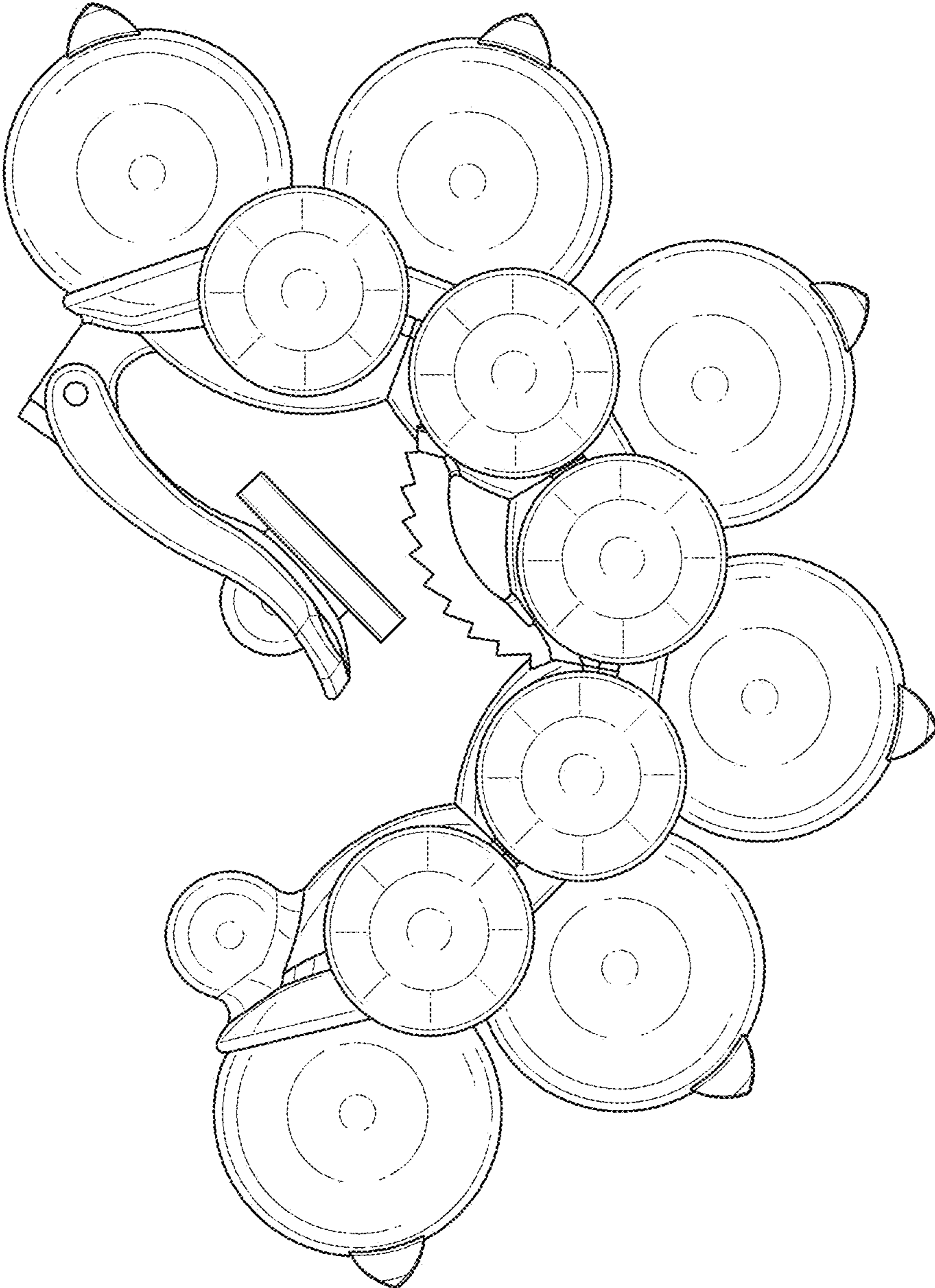


FIG. 4

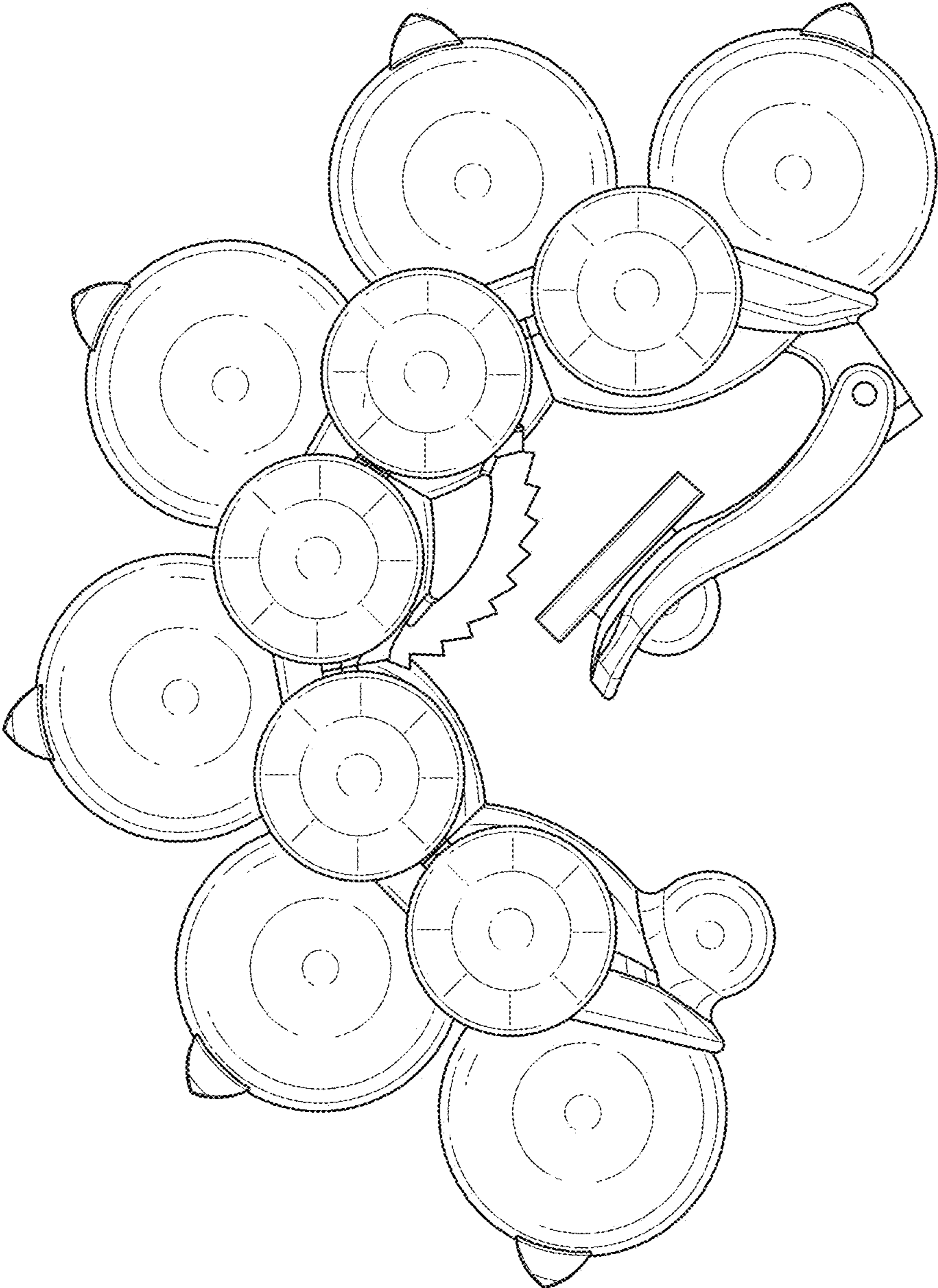


FIG. 5

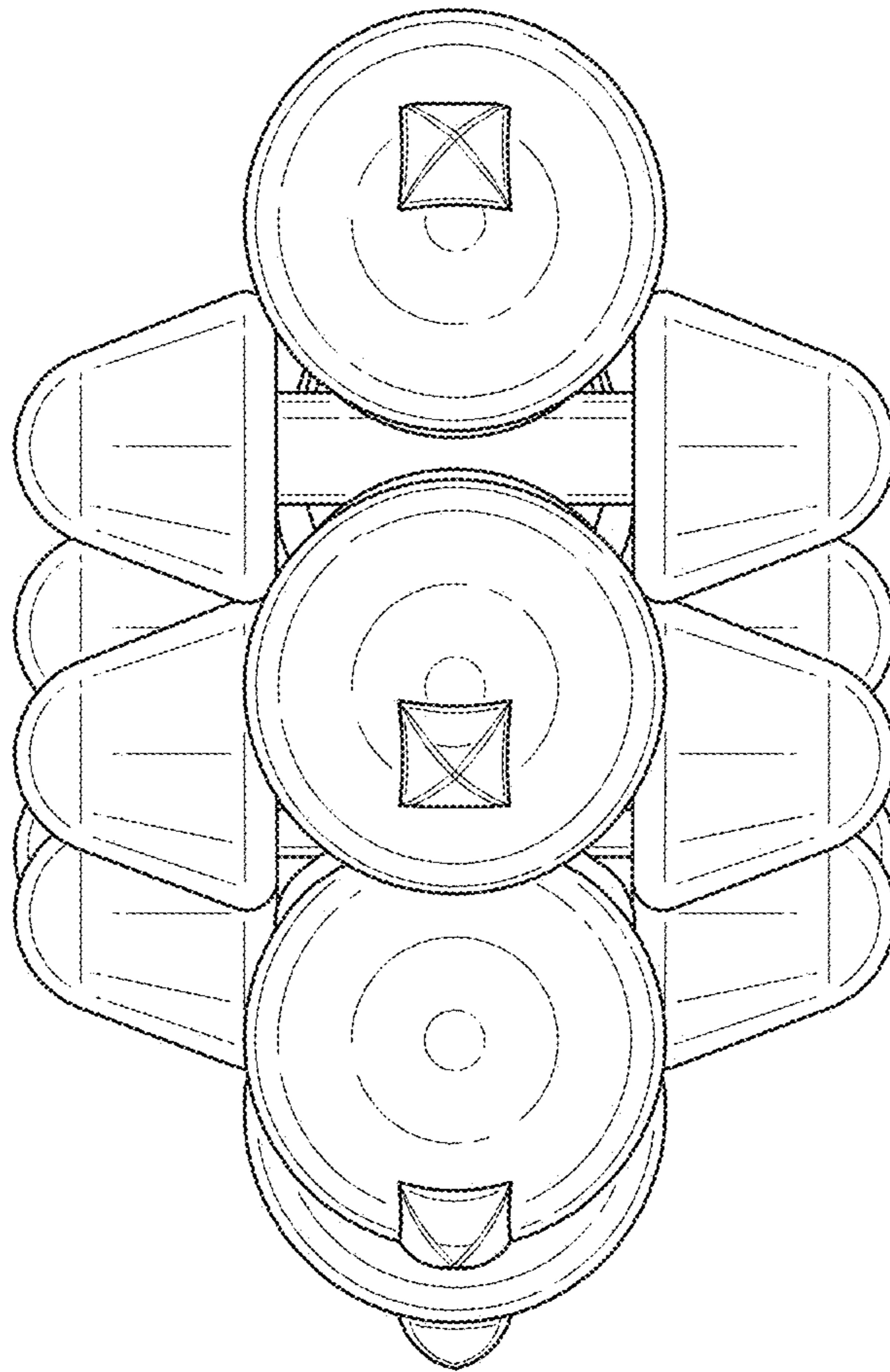


FIG. 6



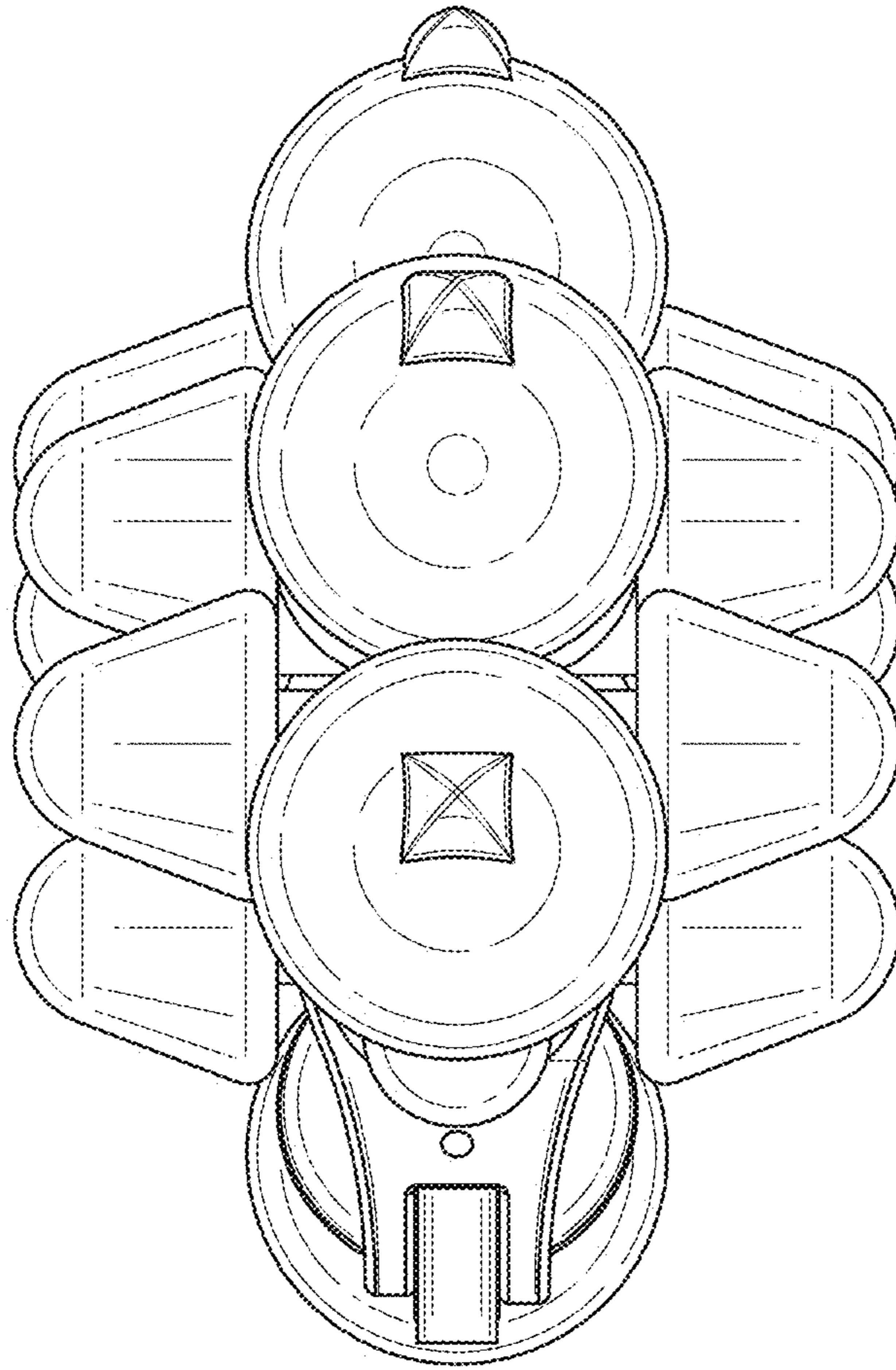


FIG. 7