



US00D939995S

(12) **United States Design Patent**
Kim et al.

(10) **Patent No.:** **US D939,995 S**
(45) **Date of Patent:** **** Jan. 4, 2022**

(54) **ACCESSORY FOR A WEARABLE DEVICE**

(71) Applicant: **LiBEST INC.**, Daejeon (KR)

(72) Inventors: **Joo Seong Kim**, Daejeon (KR); **Mi Hee Kim**, Hwaseong-si (KR)

(73) Assignee: **LiBEST INC.**, Daejeon (KR)

(**) Term: **15 Years**

(21) Appl. No.: **29/696,063**

(22) Filed: **Jun. 25, 2019**

(30) **Foreign Application Priority Data**

Dec. 28, 2018 (KR) 30-2018-0062425

(51) **LOC (13) Cl.** **11-01**

(52) **U.S. Cl.**
USPC **D11/3**

(58) **Field of Classification Search**
USPC D11/1-5; D10/31, 32; D14/344;
D24/167
CPC A44C 5/00; A44C 5/0007; A44C 5/0015;
A44C 5/0023; A44C 5/003; A44C
5/0053; A44C 5/0069; A44C 5/14; A44C
5/147; A44C 11/00
See application file for complete search history.

(56) **References Cited**

U.S. PATENT DOCUMENTS

2,521,375 A * 9/1950 Johnston A44C 5/145
D11/4
D240,368 S * 6/1976 Button D11/3
5,812,500 A * 9/1998 Webb, Jr. A44C 5/14
368/10

5,838,642 A * 11/1998 Tully A44C 5/14
368/282
D515,962 S * 2/2006 Lalo D11/5
8,475,035 B1 * 7/2013 Harrington A44C 5/14
368/277
D728,406 S * 5/2015 Cerrato D11/3
D738,250 S * 9/2015 Cerrato D11/3
D740,152 S * 10/2015 Vaughan D11/3
D810,603 S * 2/2018 Davis D11/4
D810,604 S * 2/2018 Ross D11/4
D862,276 S * 10/2019 Herz D11/3

* cited by examiner

Primary Examiner — Llorelys Martinez

(74) *Attorney, Agent, or Firm* — Hamre, Schumann,
Mueller & Larson, P.C.

(57) **CLAIM**

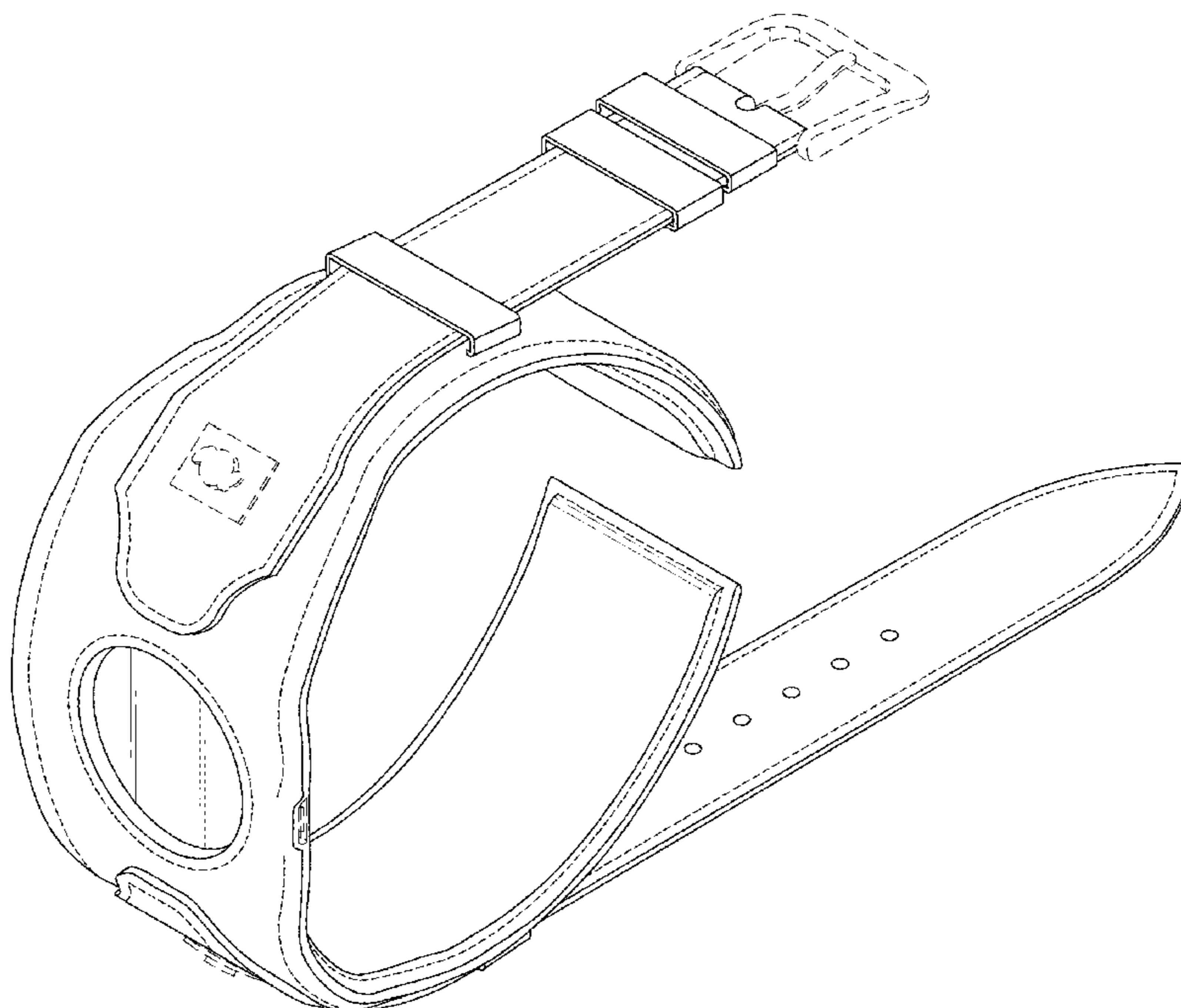
The ornamental design for an accessory for a wearable device, as shown and described.

DESCRIPTION

FIG. 1 is a perspective view of an accessory for a wearable device illustrating our new design, FIG. 2 is a front view thereof; FIG. 3 is a rear view thereof; FIG. 4 is a left side view thereof; FIG. 5 is a right side view thereof; FIG. 6 is a top plan view thereof; and, FIG. 7 is a bottom view thereof.

The short-dash broken lines along the perimeter of the accessory for a wearable device represent stitching and form part of the claimed design. The long-dash broken line representations in the figures represent portions of the accessory for a wearable device that form no part of the claimed design.

1 Claim, 7 Drawing Sheets



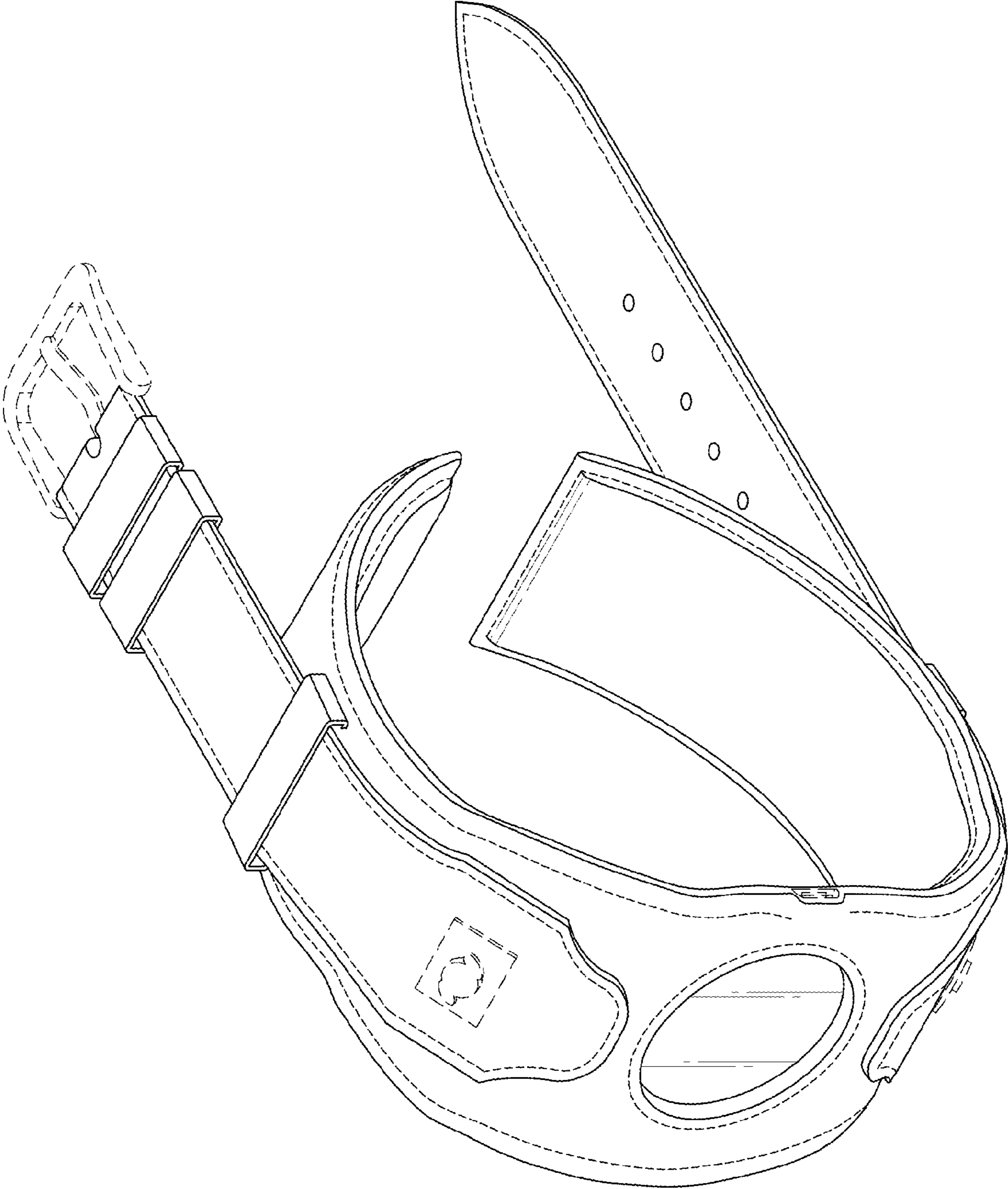


Fig. 1

Fig. 2

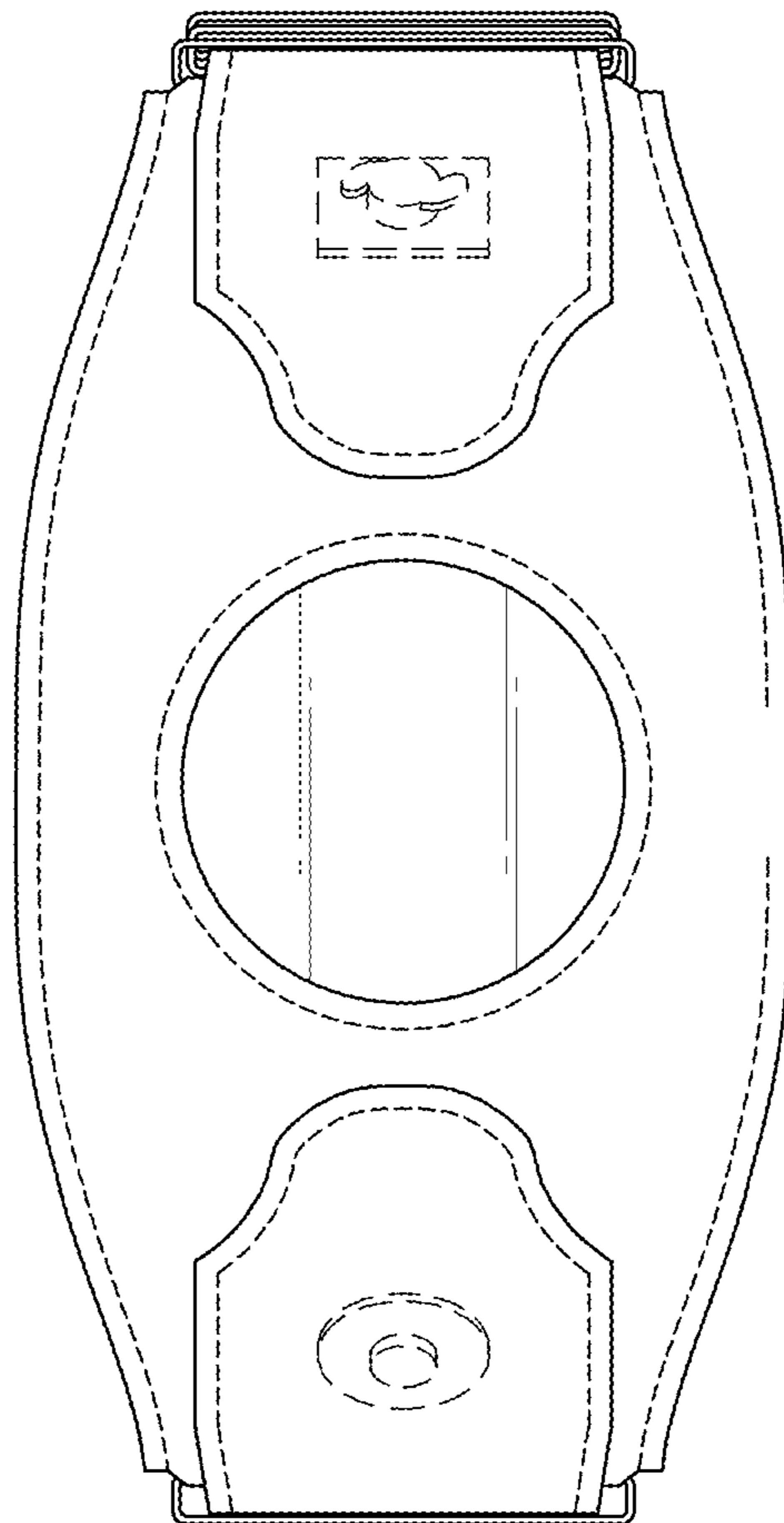
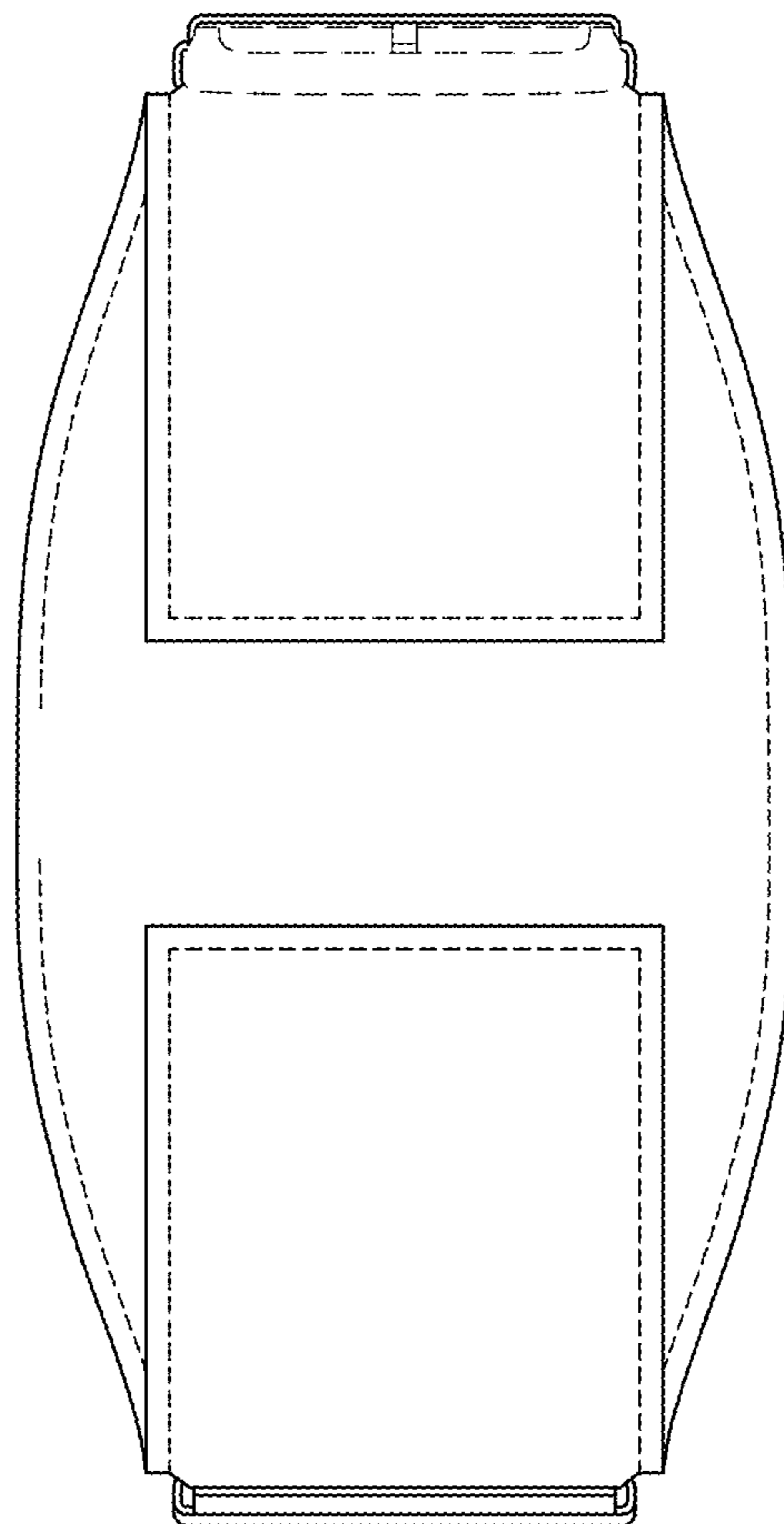


Fig. 3



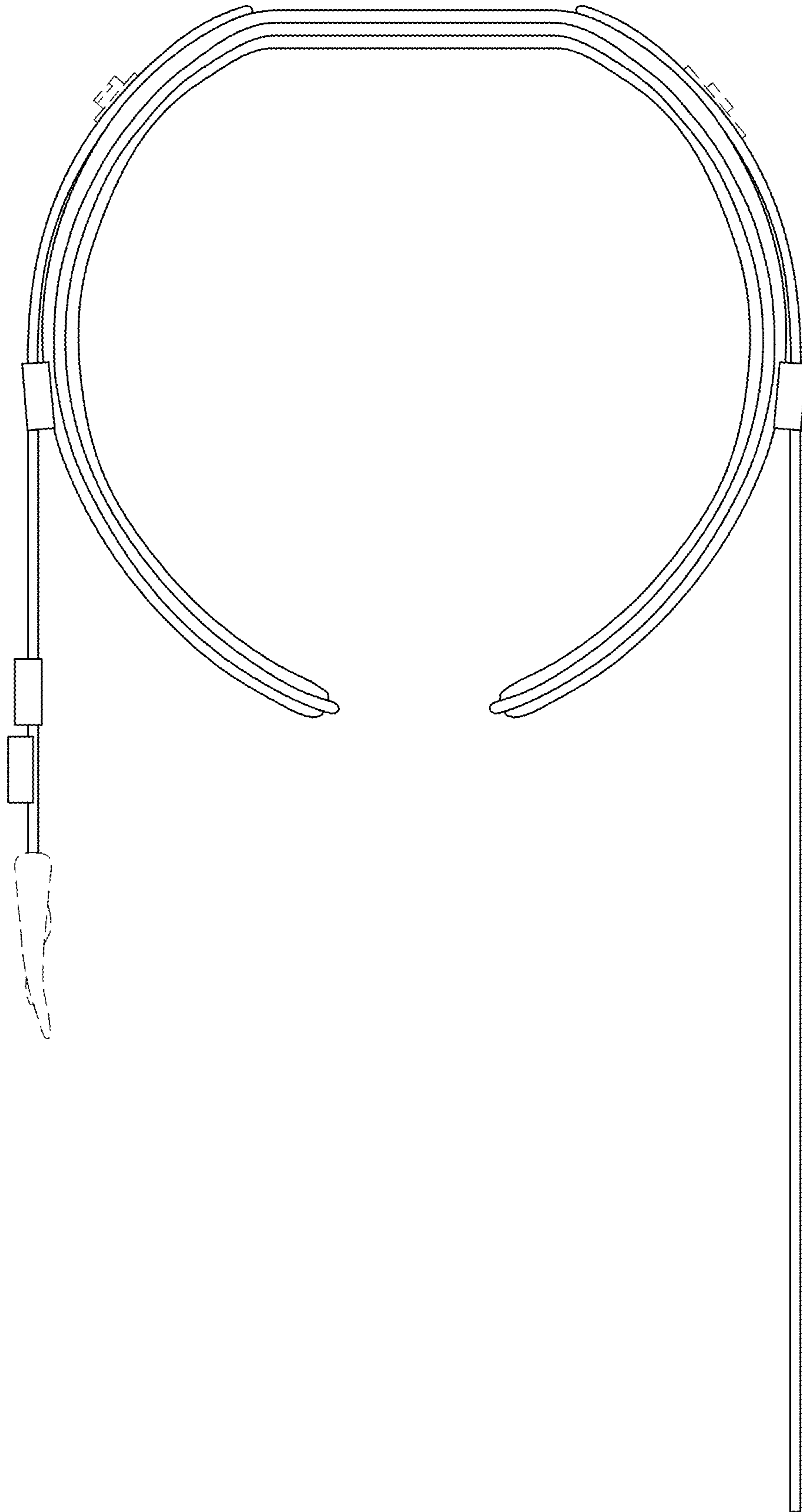


Fig. 4

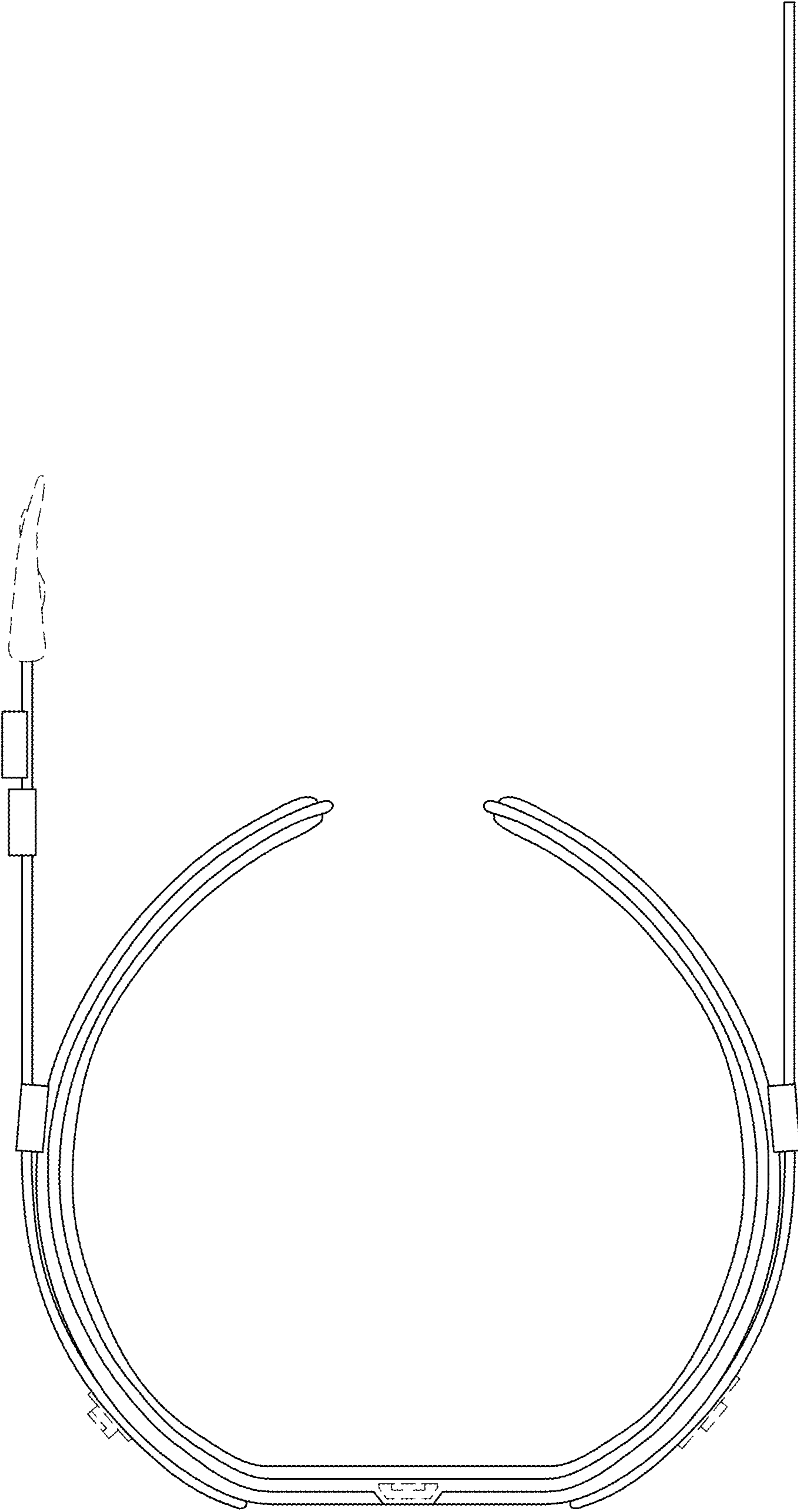


Fig. 5

Fig. 6

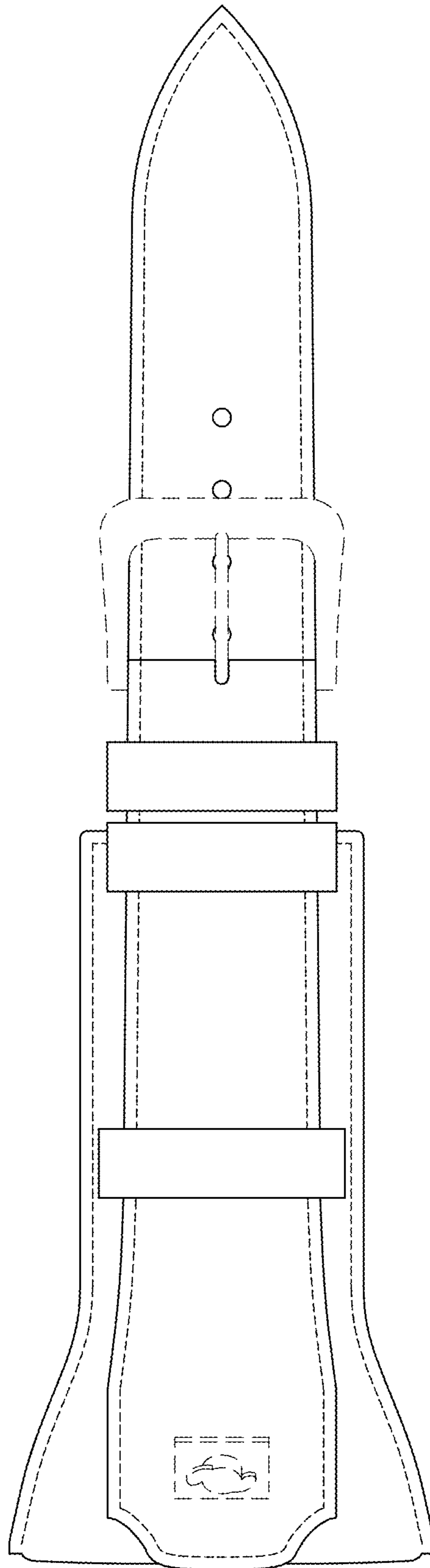


Fig. 7

