



US00D939993S

(12) **United States Design Patent** (10) **Patent No.:** **US D939,993 S**
Ford et al. (45) **Date of Patent:** **** Jan. 4, 2022**

(54) **WATCH**

Primary Examiner — Katherine Glennon

(71) Applicant: **TOM FORD INTERNATIONAL, LLC**, New York, NY (US)

(74) *Attorney, Agent, or Firm* — Goodwin Procter LLP

(72) Inventors: **Thomas C. Ford**, Los Angeles, CA (US); **Brandon Little**, New York, NY (US); **Antoine Sandoz**, New York, NY (US)

(57) **CLAIM**

The ornamental design for a watch, as shown and described.

(73) Assignee: **TOM FORD INTERNATIONAL, LLC**, New York, NY (US)

DESCRIPTION

(**) Term: **15 Years**

FIG. 1 is a top perspective view of a watch, according to a first embodiment;

(21) Appl. No.: **29/773,551**

FIG. 2 is a front view of the watch, according to the first embodiment;

(22) Filed: **Mar. 10, 2021**

FIG. 3 is a rear view of the watch, according to the first embodiment;

Related U.S. Application Data

(62) Division of application No. 29/679,472, filed on Feb. 6, 2019, now Pat. No. Des. 915,908.

FIG. 4 is a right side view of the watch, according to the first embodiment;

(51) **LOC (13) Cl.** **10-07**

FIG. 5 is a left side view of the watch, according to the first embodiment;

(52) **U.S. Cl.**
USPC **D10/125**

FIG. 6 is a top view of the watch, according to the first embodiment;

(58) **Field of Classification Search**
USPC D10/30-39, 122-126

FIG. 7 is a bottom view of the watch, according to the first embodiment;

(Continued)

FIG. 8 is a bottom perspective view of the watch, according to the first embodiment;

(56) **References Cited**

U.S. PATENT DOCUMENTS

D69,577 S * 3/1926 Eppenstein D10/37
D76,854 S * 11/1928 Cramer D10/124

FIG. 9 is a top perspective view of a watch, according to a second embodiment;

(Continued)

FIG. 10 is a front view of the watch, according to the second embodiment;

OTHER PUBLICATIONS

FS Corum Severus square Bubble limited edition | posted by saki302 Jul. 2014 [online]. © [retrieved Aug. 2, 2020] from Internet: <<https://www.mywatchmart.com/listing/10336-fs-corum-severus-square-bubble-limited-edition-5x1000-no-boxpapers-los-angeles-ca-usa/>> (Year: 2014).

FIG. 11 is a rear view of the watch, according to the second embodiment;

(Continued)

FIG. 12 is a right side view of the watch, according to the second embodiment;

FIG. 13 is a left side view of the watch, according to the second embodiment;

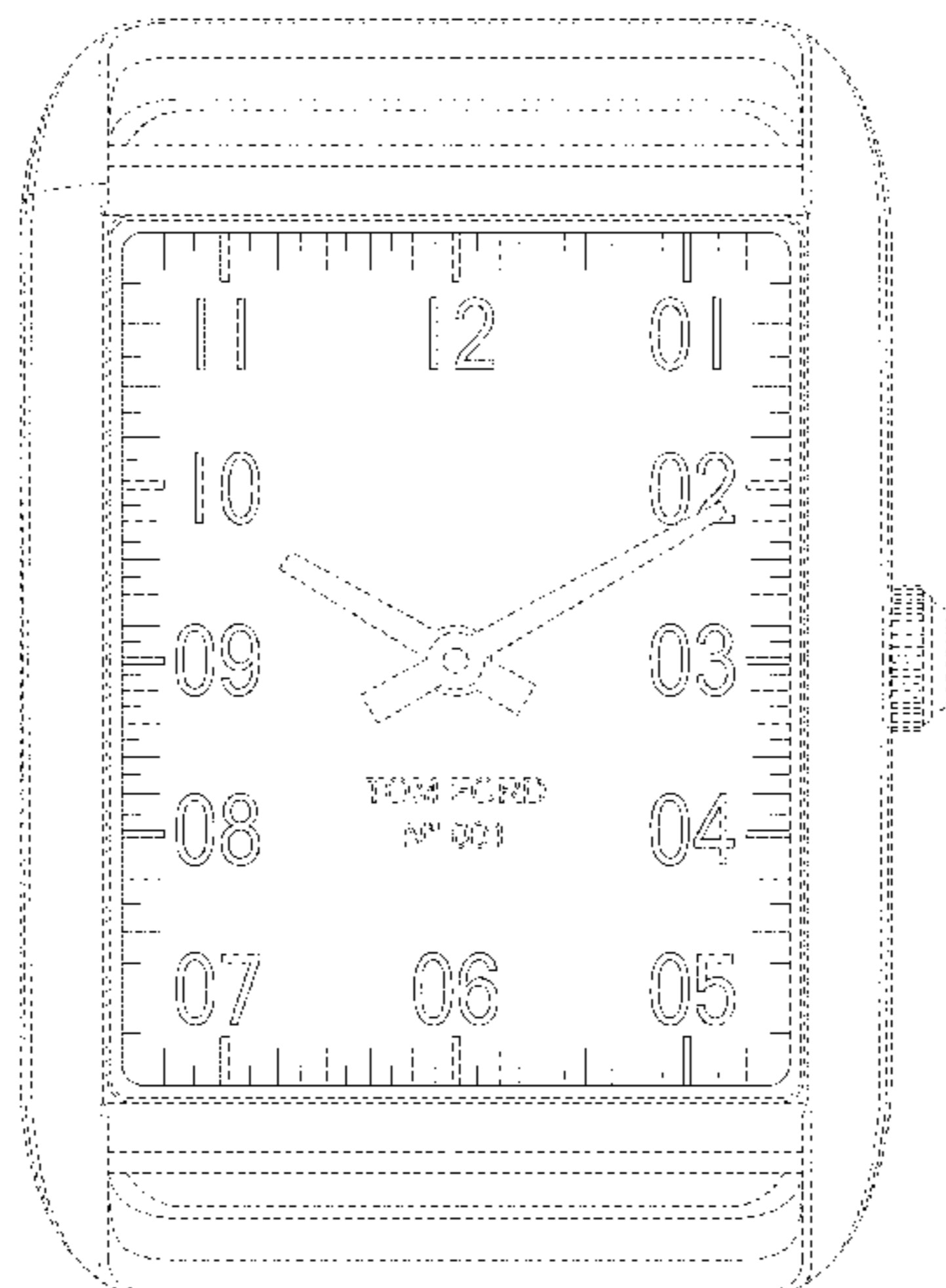
FIG. 14 is a top view of the watch, according to the second embodiment;

FIG. 15 is a bottom view of the watch, according to the second embodiment; and,

FIG. 16 is a bottom perspective view of the watch, according to the second embodiment.

The broken lines shown in the drawings illustrate the environment of the claimed design and form no part thereof.

(Continued)



The words/images “TOM FORD” and “TF” forming part of the claimed design are registered trademarks of Thomas C. Ford.

1 Claim, 16 Drawing Sheets

(58) **Field of Classification Search**

CPC G04B 19/06; G04B 19/065; G04B 19/08; G04B 19/10; G04B 19/106

See application file for complete search history.

(56)

References Cited

U.S. PATENT DOCUMENTS

1,701,339	A	2/1929	Roy	
D101,076	S *	9/1936	Wadsworth	D10/39
2,103,263	A *	12/1937	Lodge	G04B 19/10 368/232
D160,268	S	9/1950	Meltzer	
D275,844	S *	10/1984	Cook	D10/125
D337,531	S	7/1993	Braisted	
D341,092	S *	11/1993	Wild	D10/125
D418,066	S	12/1999	Modolo	
D439,540	S *	3/2001	Strasser	D10/125
D446,130	S	8/2001	Nakanishi	
D447,704	S	9/2001	Deguines	
D462,281	S	9/2002	Wunderman	
D503,896	S	4/2005	Vidal	
D522,886	S *	6/2006	Bolt	D10/34
D523,358	S	6/2006	Lillegard et al.	
D526,912	S	8/2006	Calvani	
D528,032	S *	9/2006	Lovegrove	D10/126
D544,377	S	6/2007	Chodat	
D554,004	S *	10/2007	Kraft	D10/38
D558,629	S *	1/2008	Moody	D10/125
D563,800	S	3/2008	Holtzman	
D563,801	S	3/2008	Holtzman	
D564,908	S	3/2008	Chodat	

D566,583	S	4/2008	Holtzman	
D567,115	S	4/2008	Bulgari	
D569,740	S	5/2008	Bodino	
D577,609	S	9/2008	Modolo	
7,515,508	B1 *	4/2009	Stotz	G04B 19/082 116/282
D606,889	S	12/2009	Nusbbaumer	
D611,844	S	3/2010	Furetta	
D647,410	S	10/2011	Galli	
D655,631	S	3/2012	Ruefenacht	
D678,785	S	3/2013	Rochat	
D690,210	S	9/2013	Takahashi	
D693,701	S	11/2013	Rufenacht	
8,857,369	B2 *	10/2014	Baker	G01D 13/22 116/284
D723,946	S	3/2015	Soares	
D751,929	S *	3/2016	Ette	D10/39
D756,243	S	5/2016	Giannini	
D759,623	S	6/2016	Dahlberg	
D760,095	S	6/2016	Jeannet et al.	
D767,412	S	9/2016	Voirin	
D769,735	S	10/2016	Amfitheatrof et al.	
D782,335	S	3/2017	White et al.	
D915,908	S *	4/2021	Ford	D10/38
2007/0070819	A1	3/2007	Choksi et al.	

OTHER PUBLICATIONS

Tom Ford launches a new watch | posted at timetransformed.com Apr. 2018 [online]. [retrieved Jul. 22, 2020] from Internet: <<https://timetransformed.com/2018/04/24/tom-ford-launches-a-new-watch/>> (Year: 2018).

Tom Ford Launches His First Line of Watches | posted at urbandaddy.com May 2018 [online]. © 2020 Urban Daddy [retrieved Jul. 22, 2020] from Internet: <<https://www.urbandaddy.com/articles/42322/tom-ford-launches-his-first-line-of-watches>> (Year: 2018).

Tom Ford’s First-Ever Watch | posted at gq.com May 2018 [online]. © 2020 Conde Nast [retrieved Jul. 22, 2020] from Internet: <<https://www.gq.com/story/tom-ford-001-watch-launch-interview>> (Year: 2018).

* cited by examiner

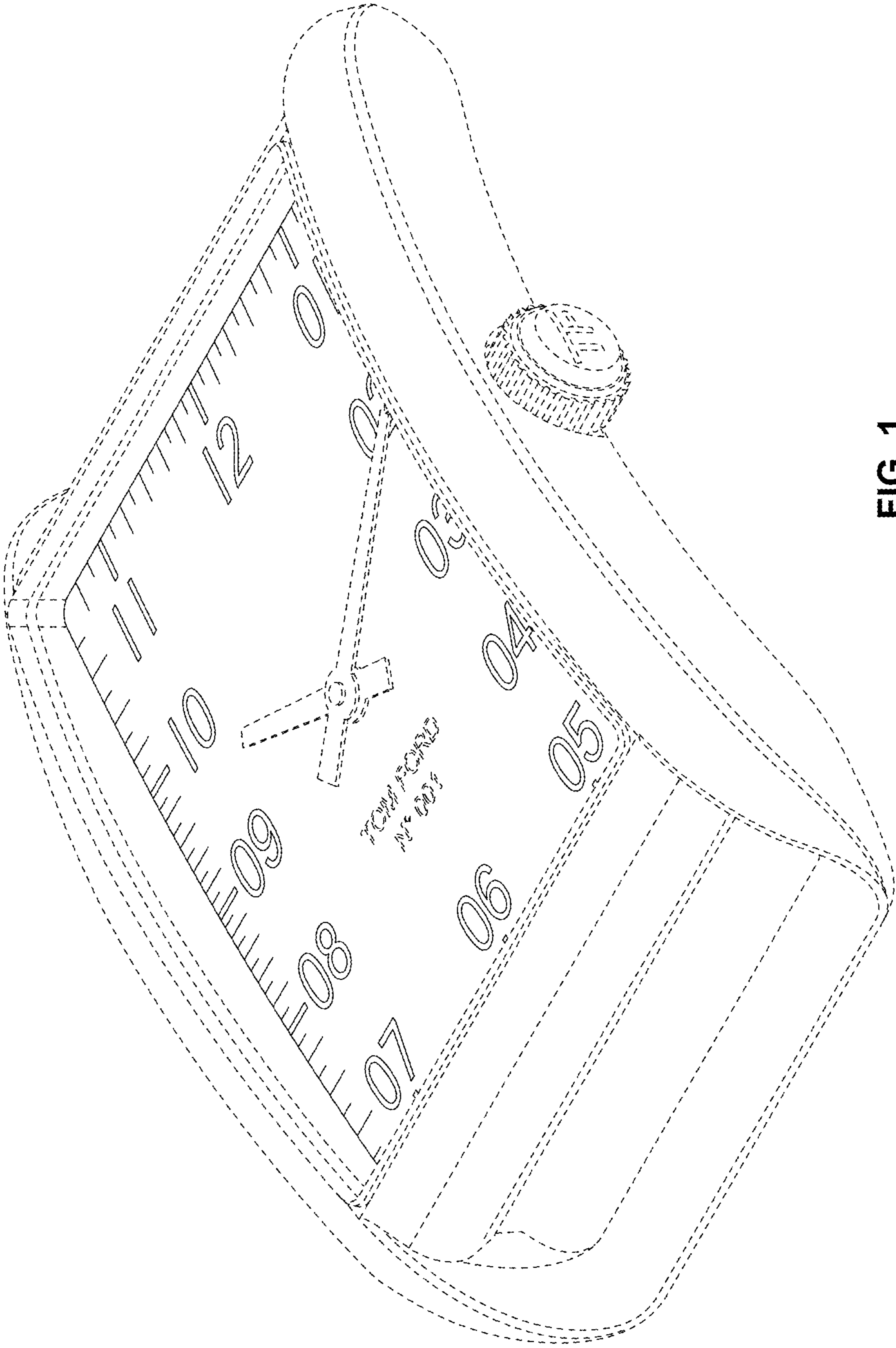


FIG. 1

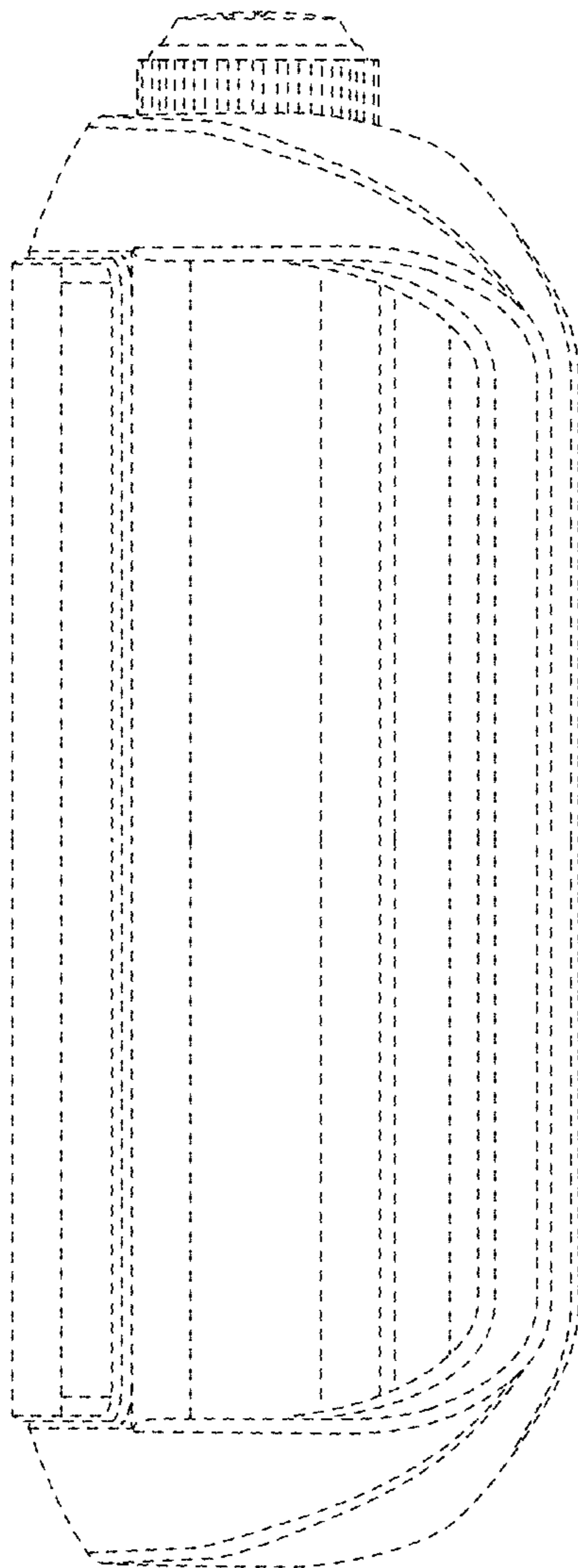


FIG. 2

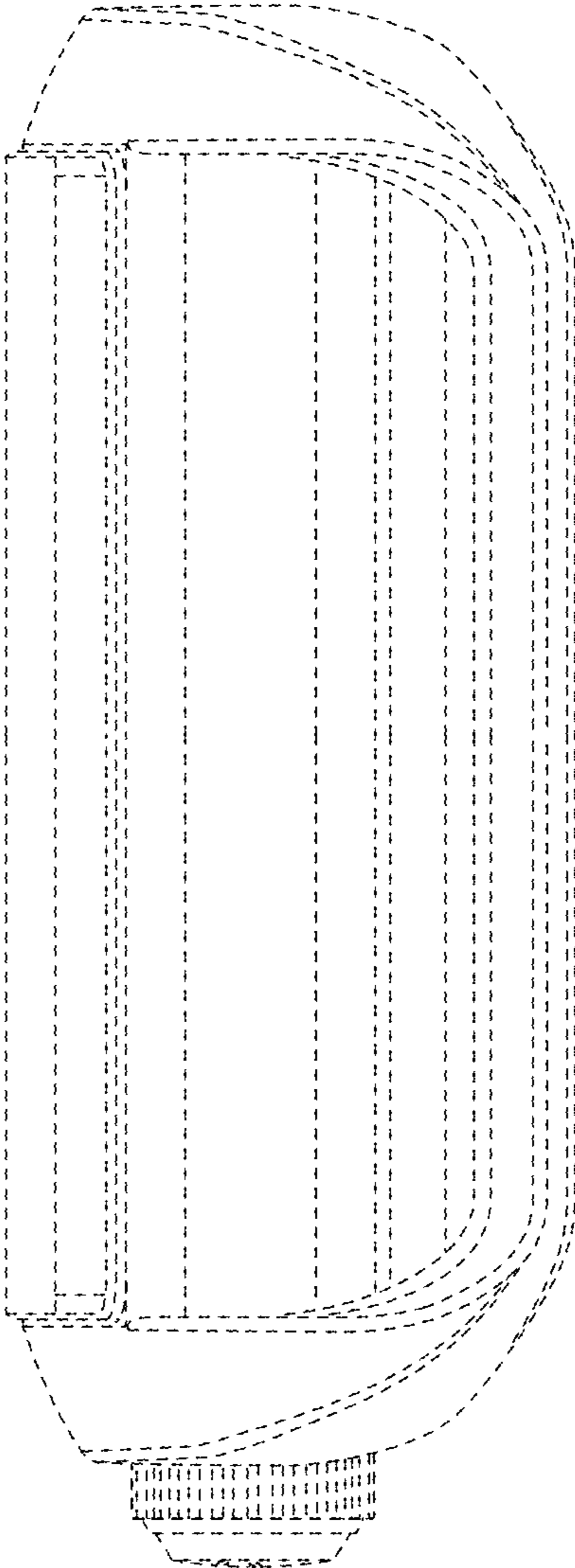


FIG. 3

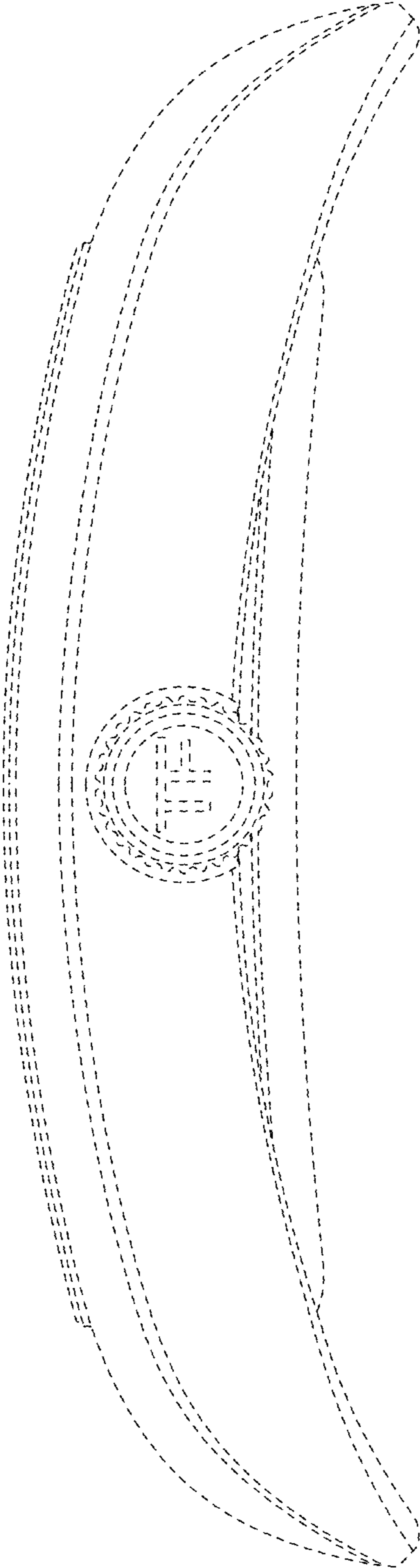


FIG. 4

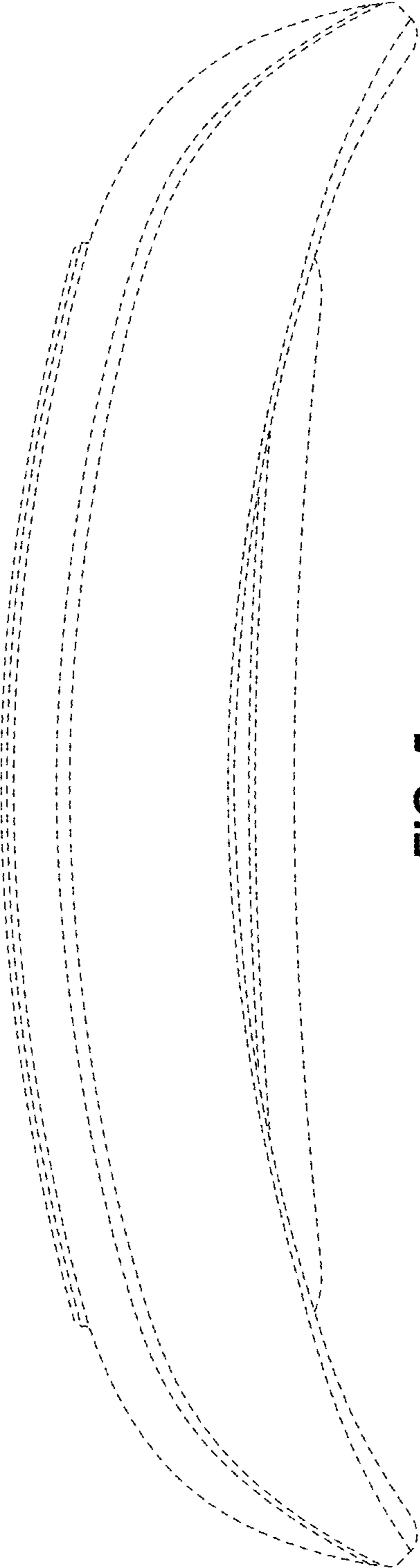


FIG. 5

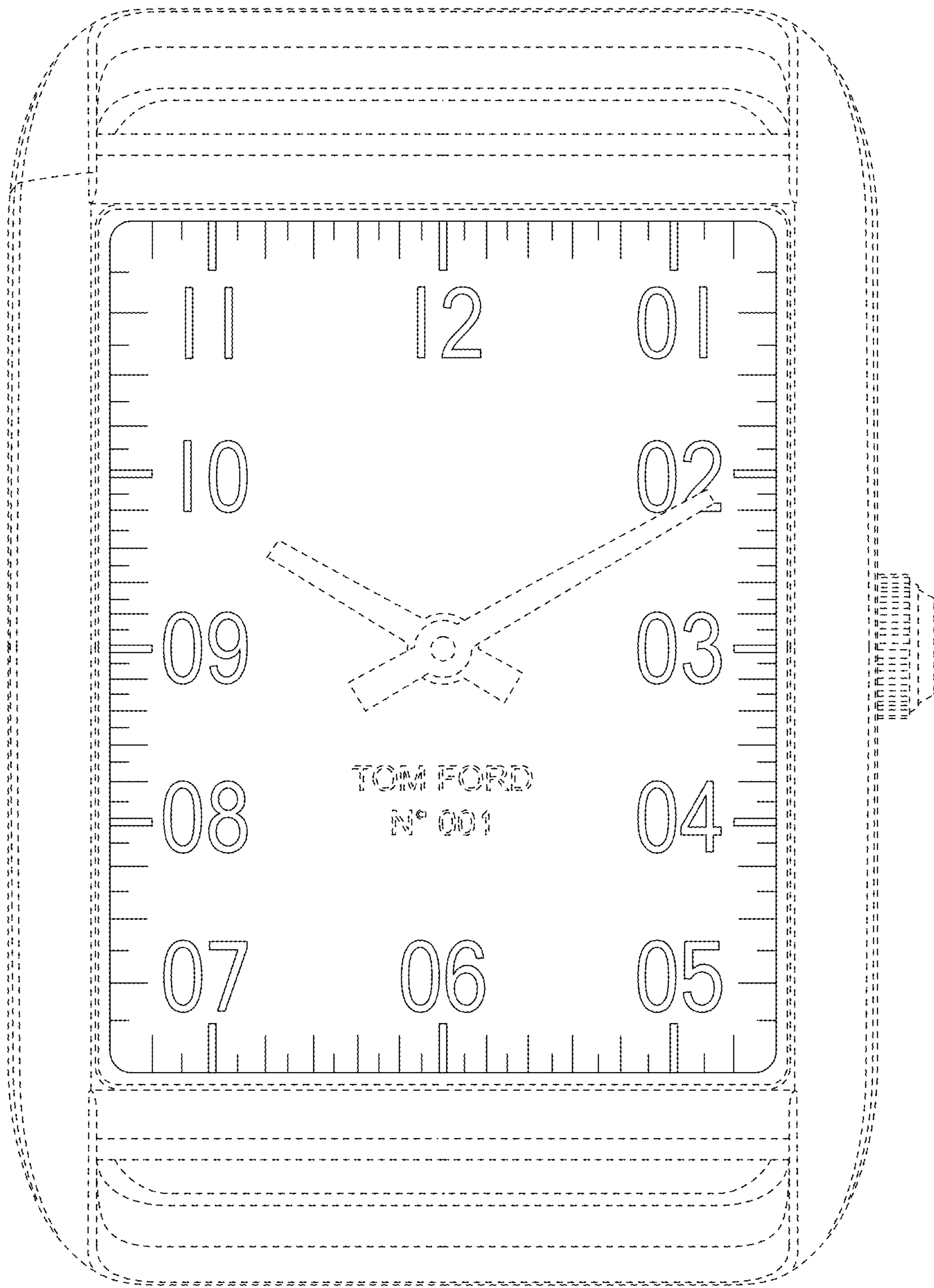


FIG. 6

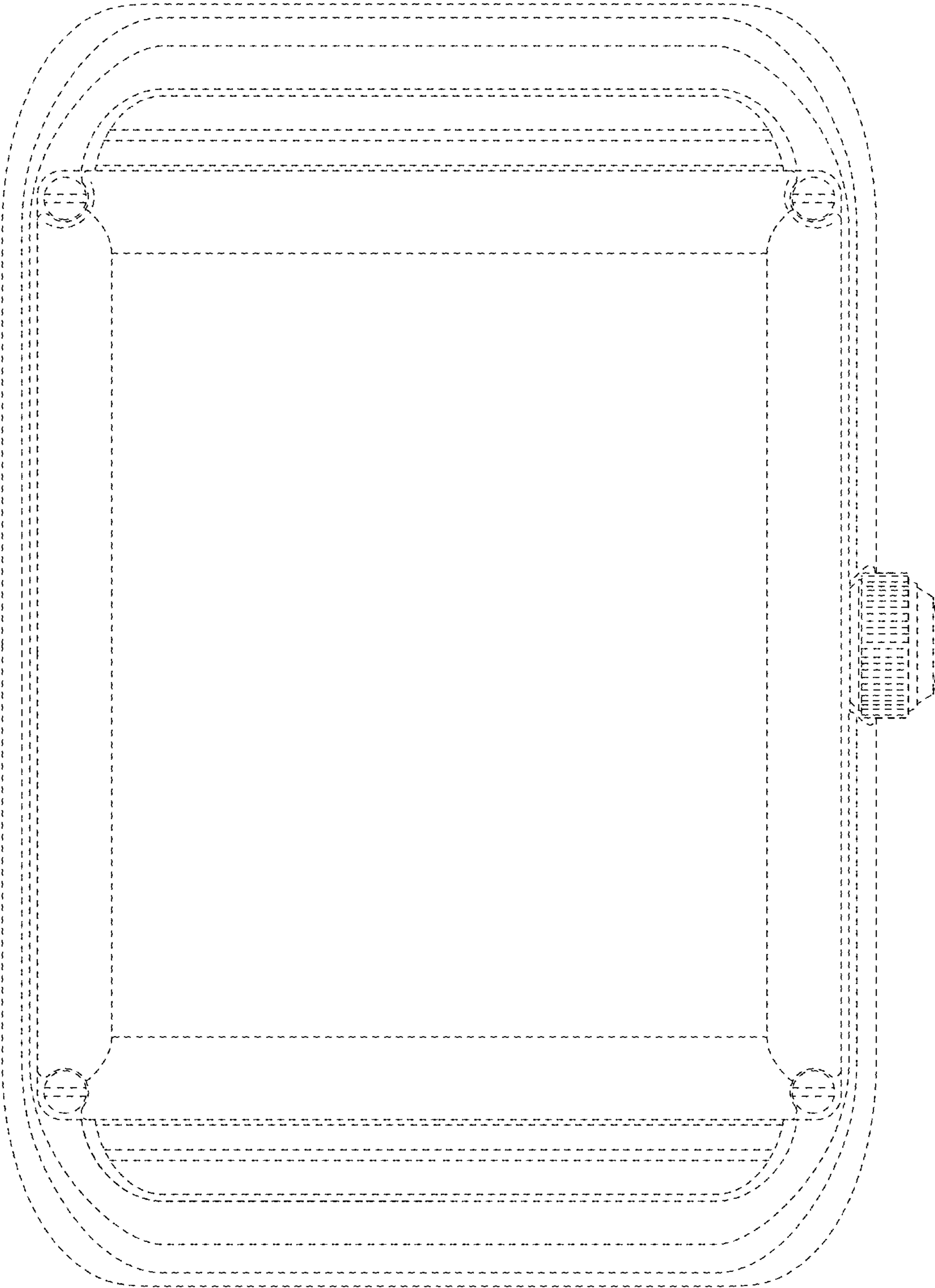


FIG. 7

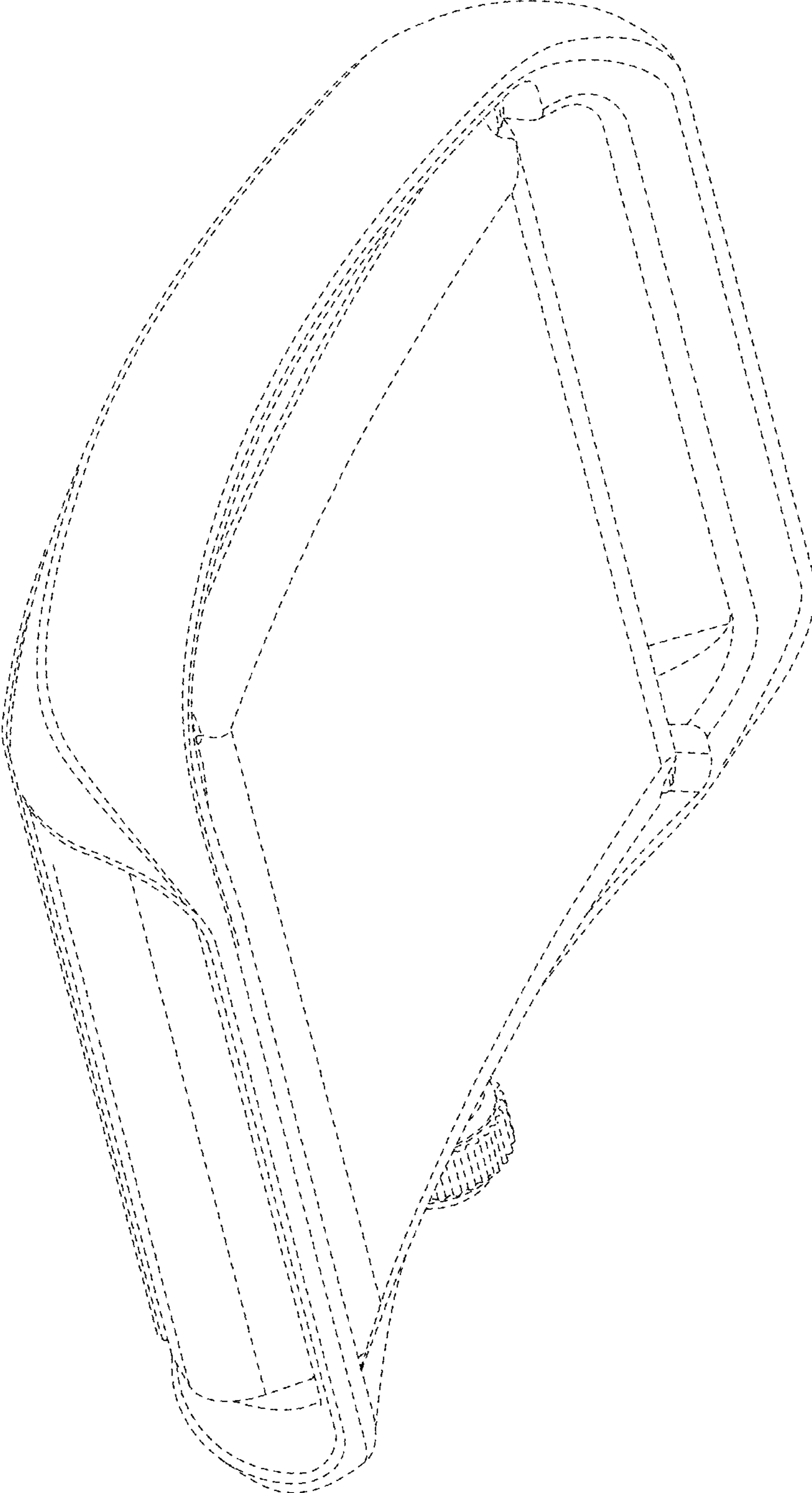


FIG. 8

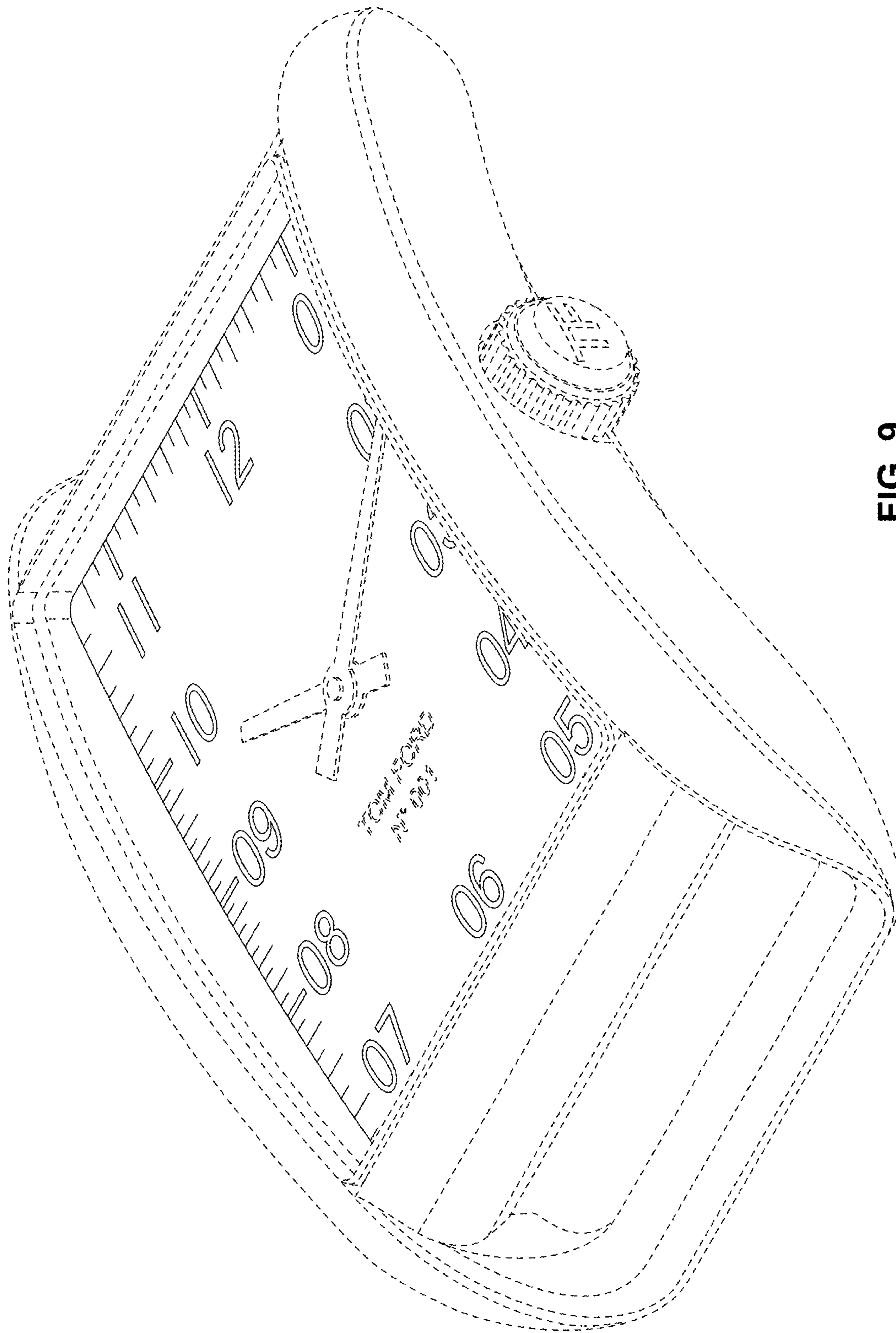


FIG. 9

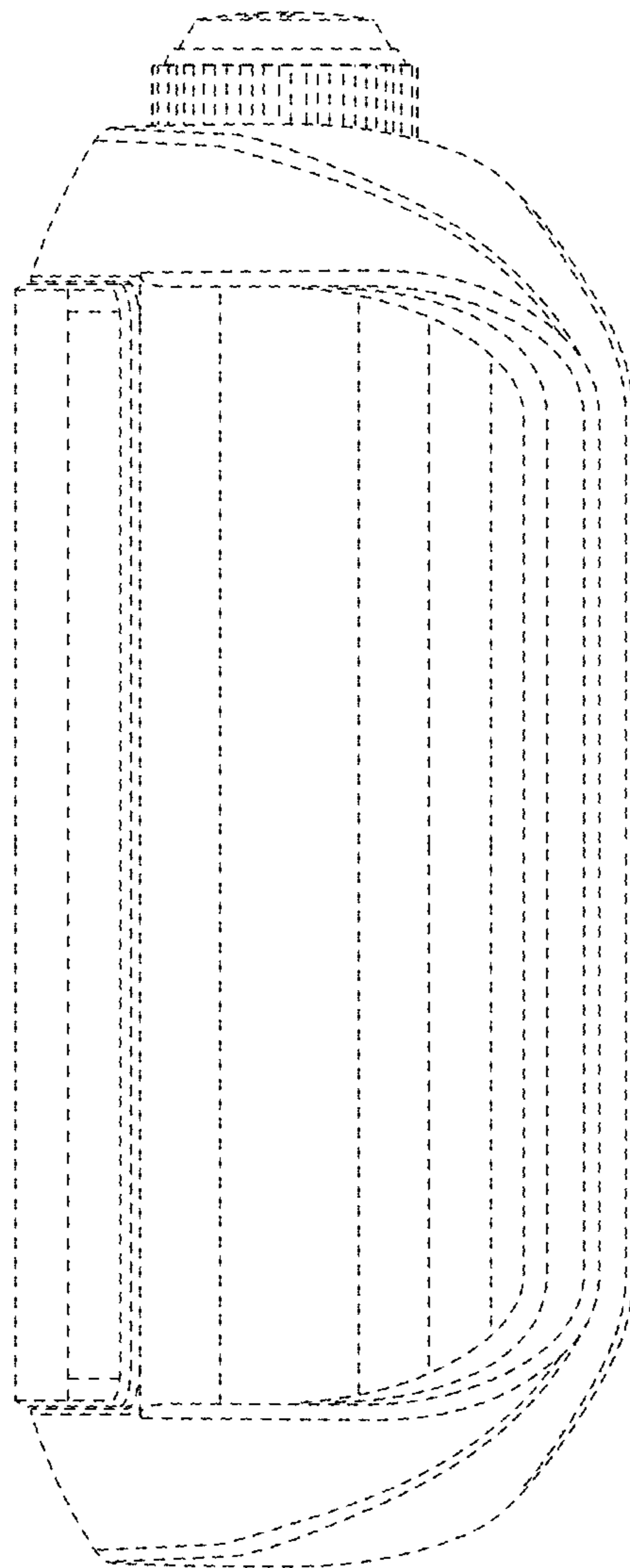


FIG. 10

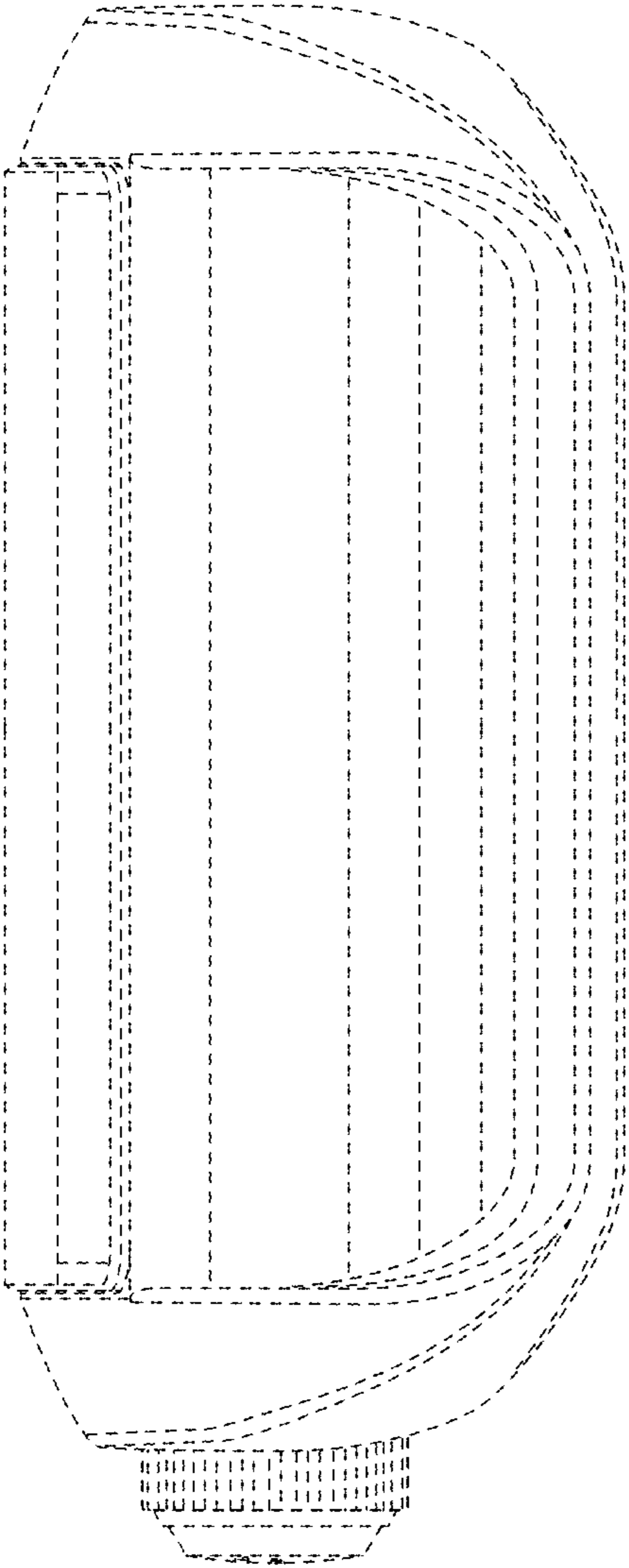


FIG. 11

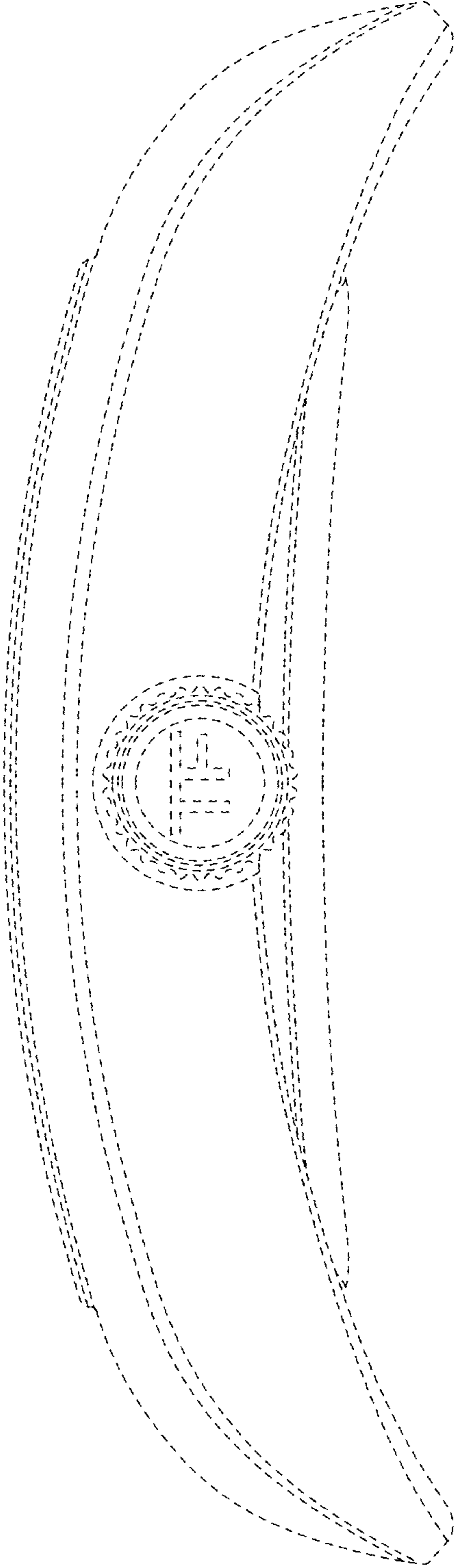


FIG. 12

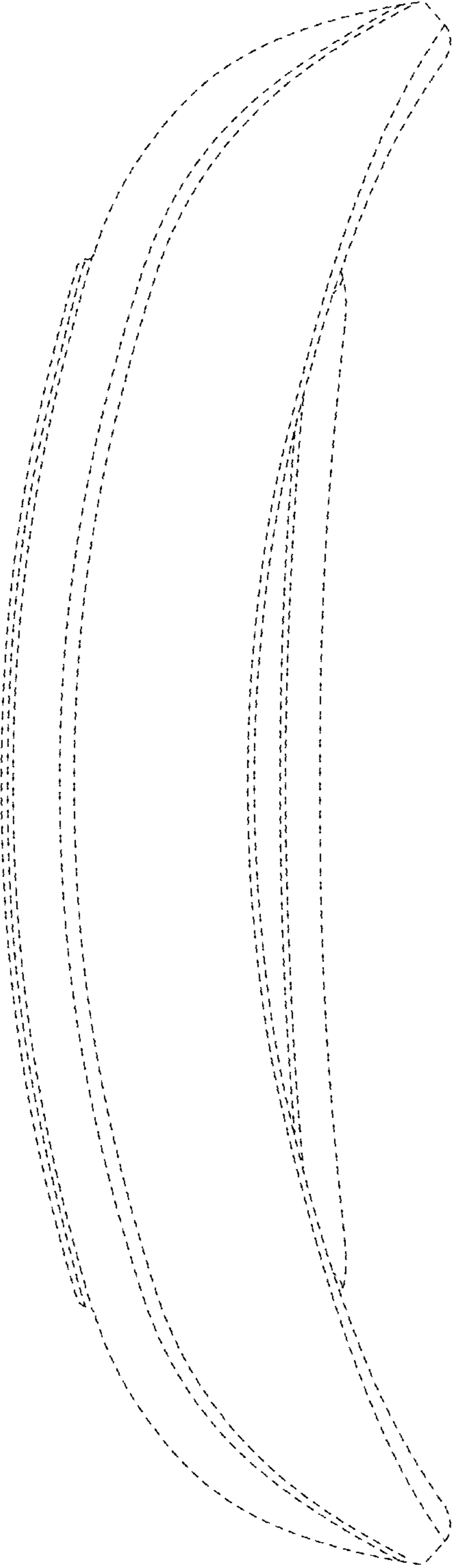


FIG. 13

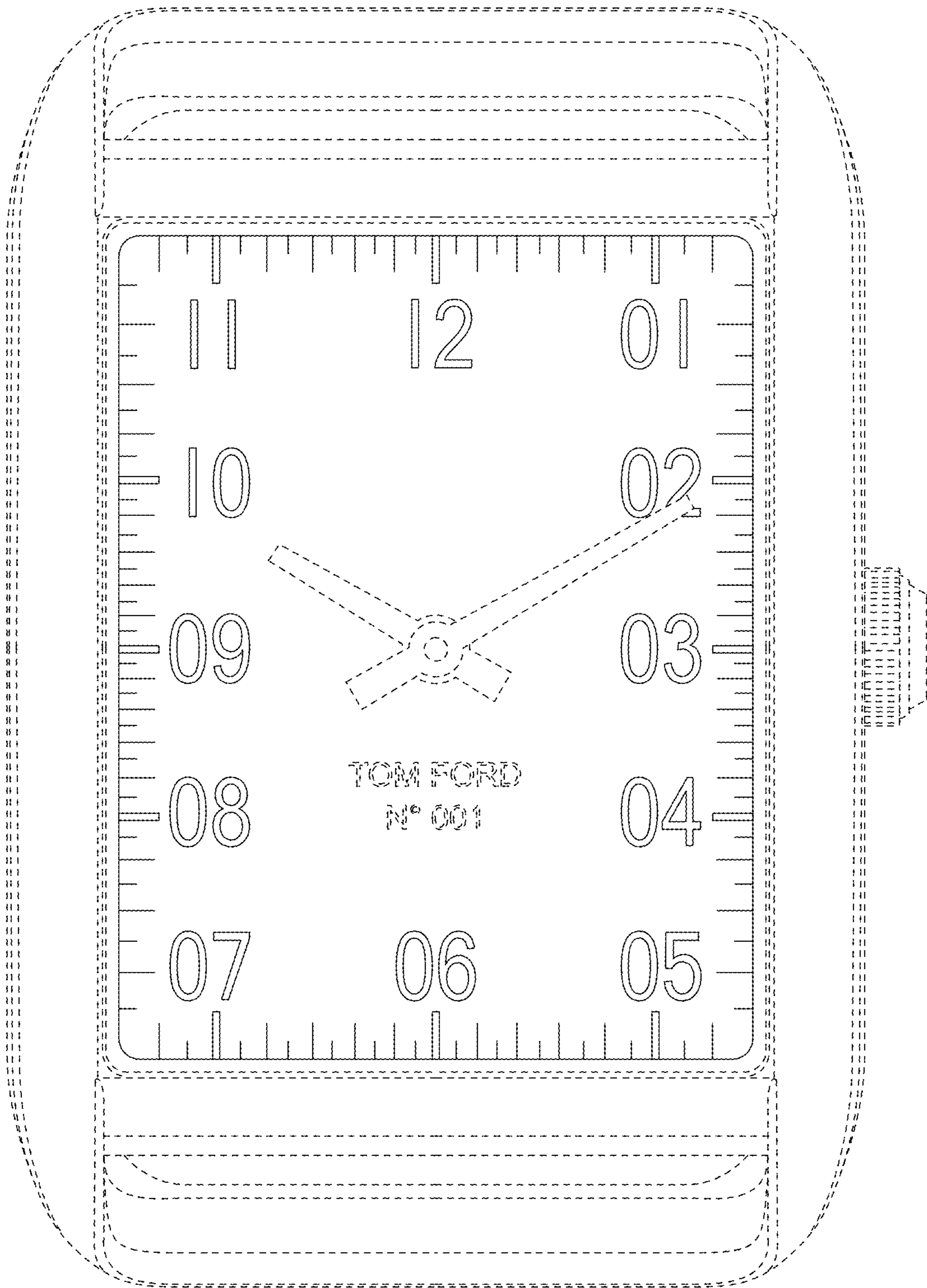


FIG. 14

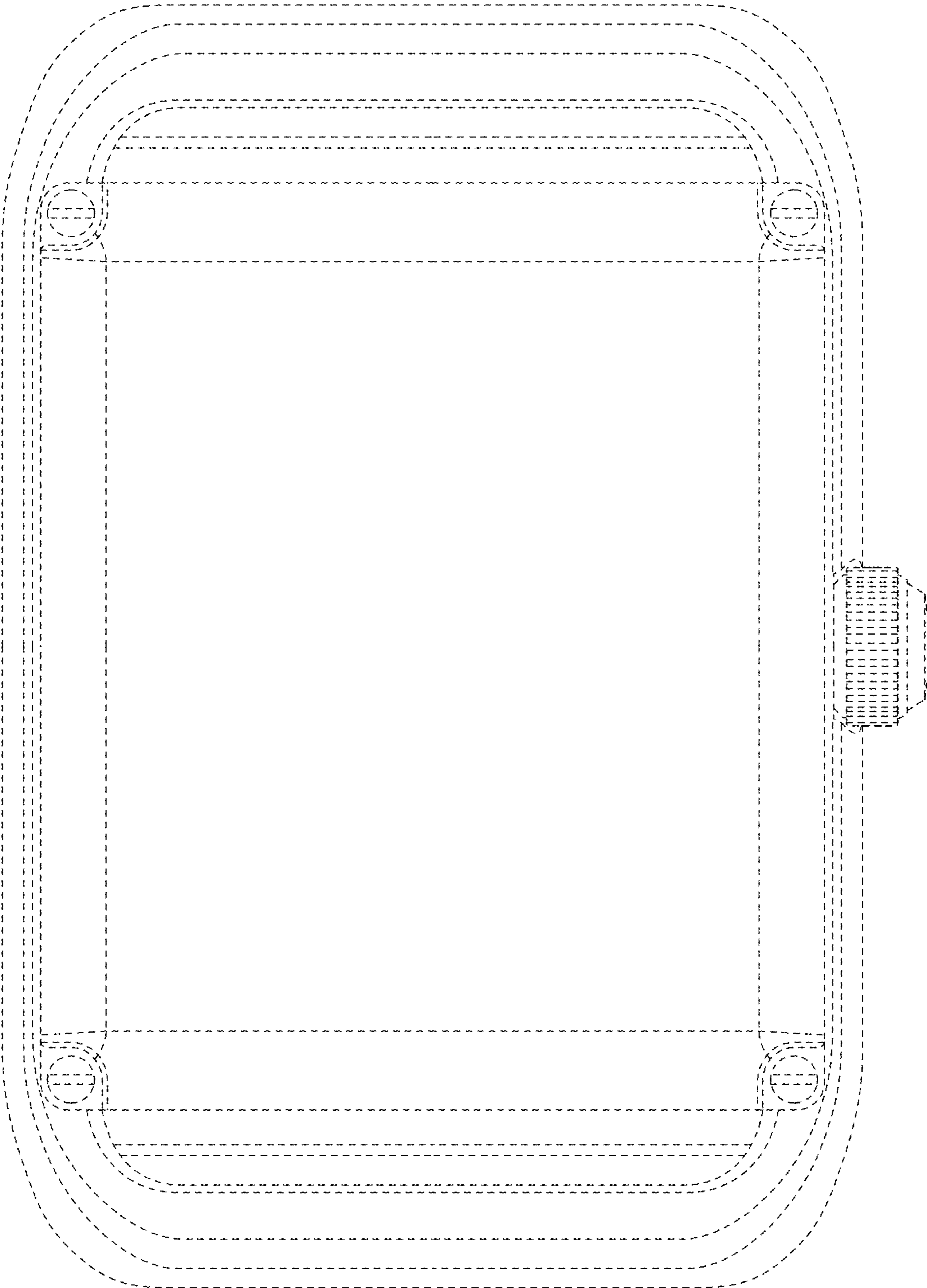


FIG. 15

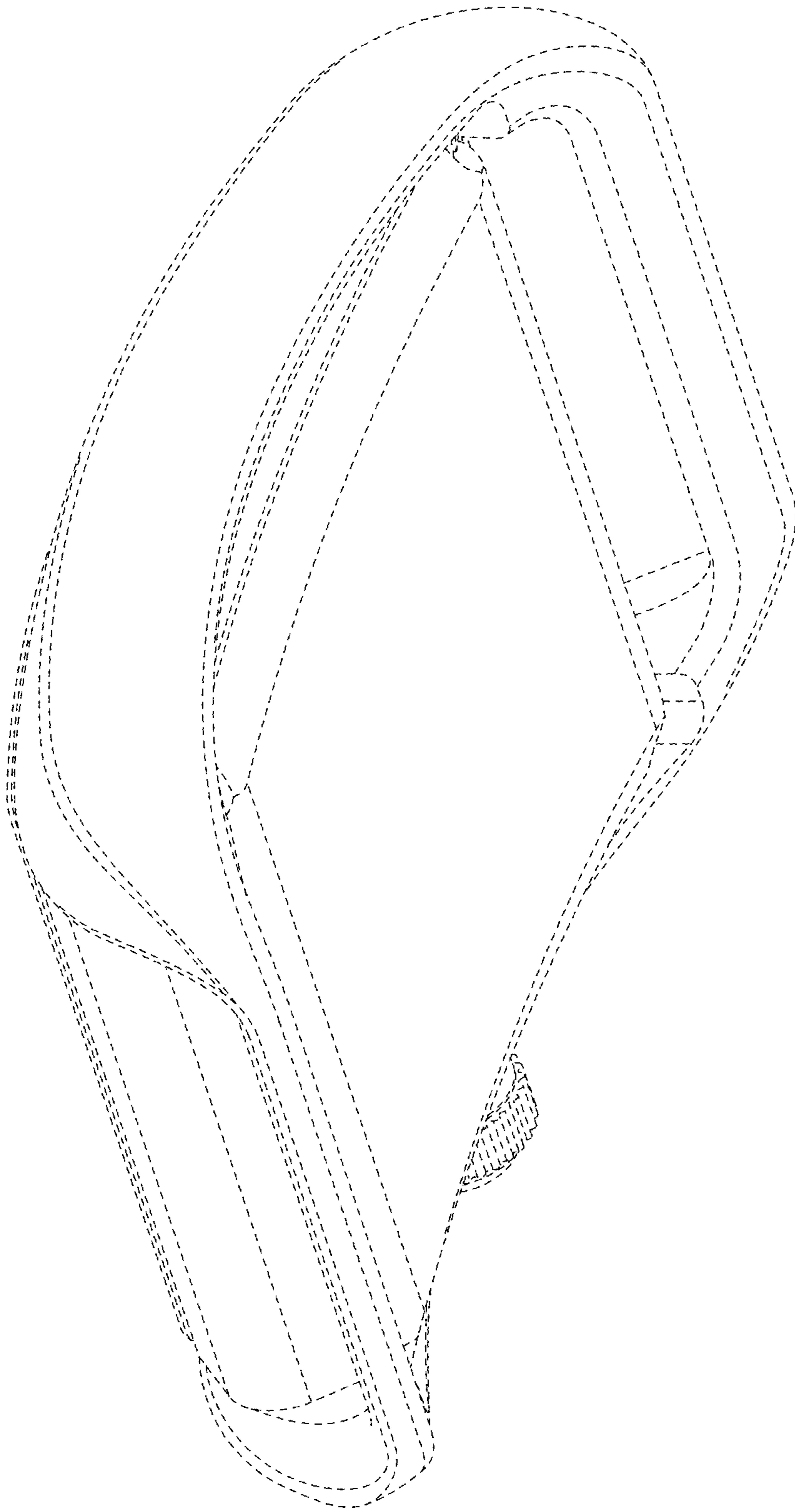


FIG. 16