



US00D939991S

(12) **United States Design Patent**  
**Yang**

(10) **Patent No.:** **US D939,991 S**  
(45) **Date of Patent:** **\*\* Jan. 4, 2022**

(54) **SMART WIRELESS VIDEO DOORBELL**

(71) Applicant: **Shenzhen Joystek Intelligence Co., Ltd**, Shenzhen (CN)

(72) Inventor: **Zhirong Yang**, Shenzhen (CN)

(73) Assignee: **Shenzhen Joystek Intelligence Co., Ltd**, Shenzhen (CN)

(\*\*) Term: **15 Years**

(21) Appl. No.: **29/731,906**

(22) Filed: **Apr. 20, 2020**

(51) **LOC (13) Cl.** ..... **10-05**

(52) **U.S. Cl.**  
USPC ..... **D10/118.2**

(58) **Field of Classification Search**  
USPC ..... D10/118.2, 106.6, 106.7, 106.8, 116.1, D10/118; D13/171, 174; D14/159, 358; D16/202, 203, 208, 209  
CPC ... G08B 3/00; G08B 3/10; G08B 7/00; G08B 7/06; G08B 13/196; G06F 17/30; G09F 27/00

See application file for complete search history.

(56) **References Cited**

**U.S. PATENT DOCUMENTS**

D788,834 S	*	6/2017	Bhattacharya	.....	D16/203
D853,265 S	*	7/2019	Grearson	.....	D10/118.2
D897,878 S	*	10/2020	Lian	.....	D10/118.2
D927,338 S	*	8/2021	Smalley	.....	D10/118.2
D928,005 S	*	8/2021	Smalley	.....	D10/118.2

**OTHER PUBLICATIONS**

Doorbell Camera Corner Angle Mount, announced on YouTube on Dec. 19, 2017, site visited on Nov. 1, 2021, Available from the internet URL: <<https://www.youtube.com/watch?v=RUVgx7Bzlr0>>. (Year: 2017).\*

\* cited by examiner

*Primary Examiner* — George D. Kirschbaum

*Assistant Examiner* — Lillian Windham

(74) *Attorney, Agent, or Firm* — Westbridge IP LLC

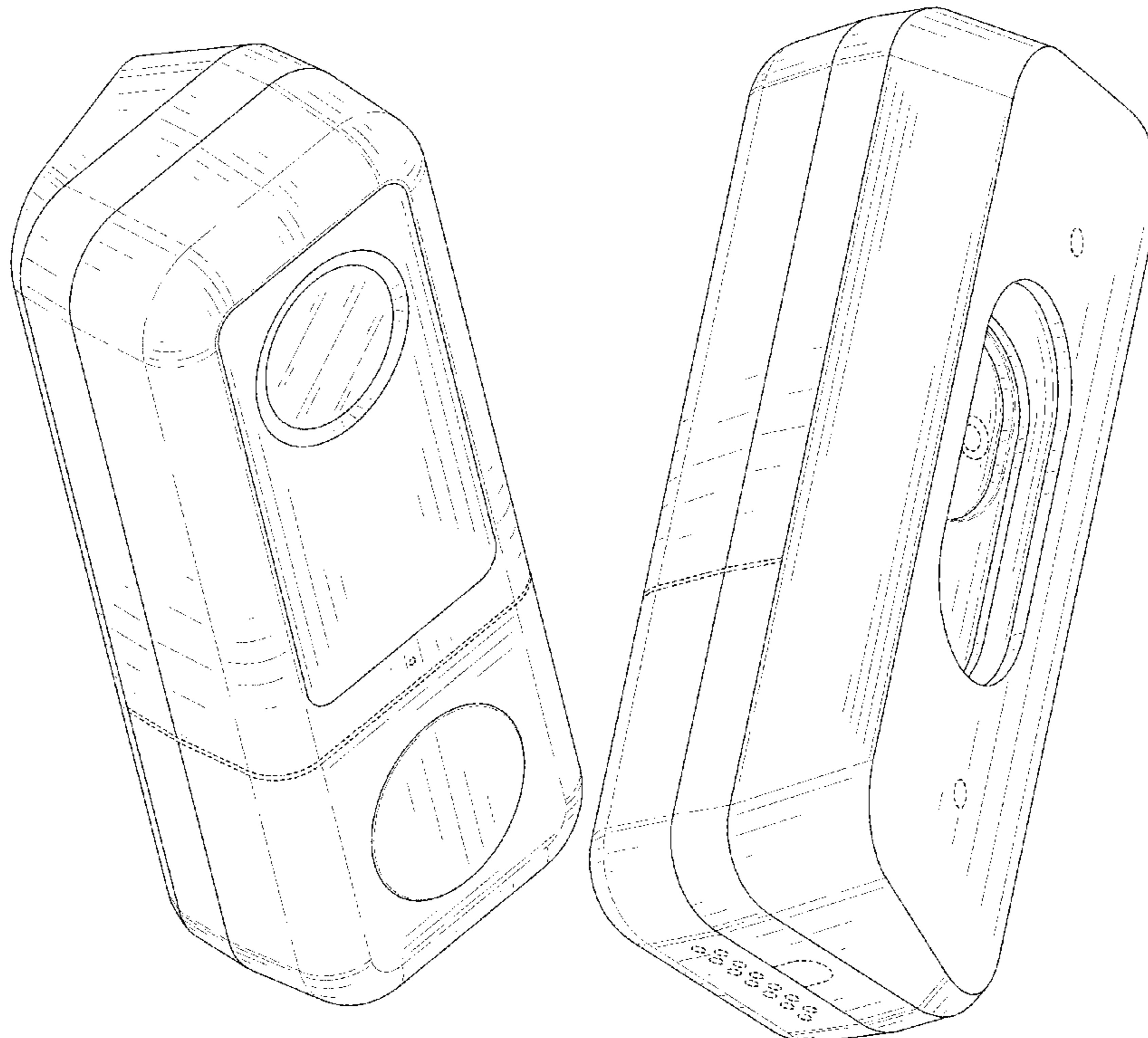
(57) **CLAIM**

The ornamental design for a smart wireless video doorbell, as shown and described.

**DESCRIPTION**

FIG. 1 is a front perspective view of a smart wireless video doorbell showing my new design; FIG. 2 is a rear perspective view thereof; FIG. 3 is a front elevational view thereof; FIG. 4 is a rear elevational view thereof; FIG. 5 is a left side view thereof; FIG. 6 is a right side view thereof; FIG. 7 is a top plan view thereof; and, FIG. 8 is a bottom plan view thereof. The broken lines in the drawings illustrate the portions of the smart wireless video doorbell which form no part of the claimed design.

**1 Claim, 8 Drawing Sheets**



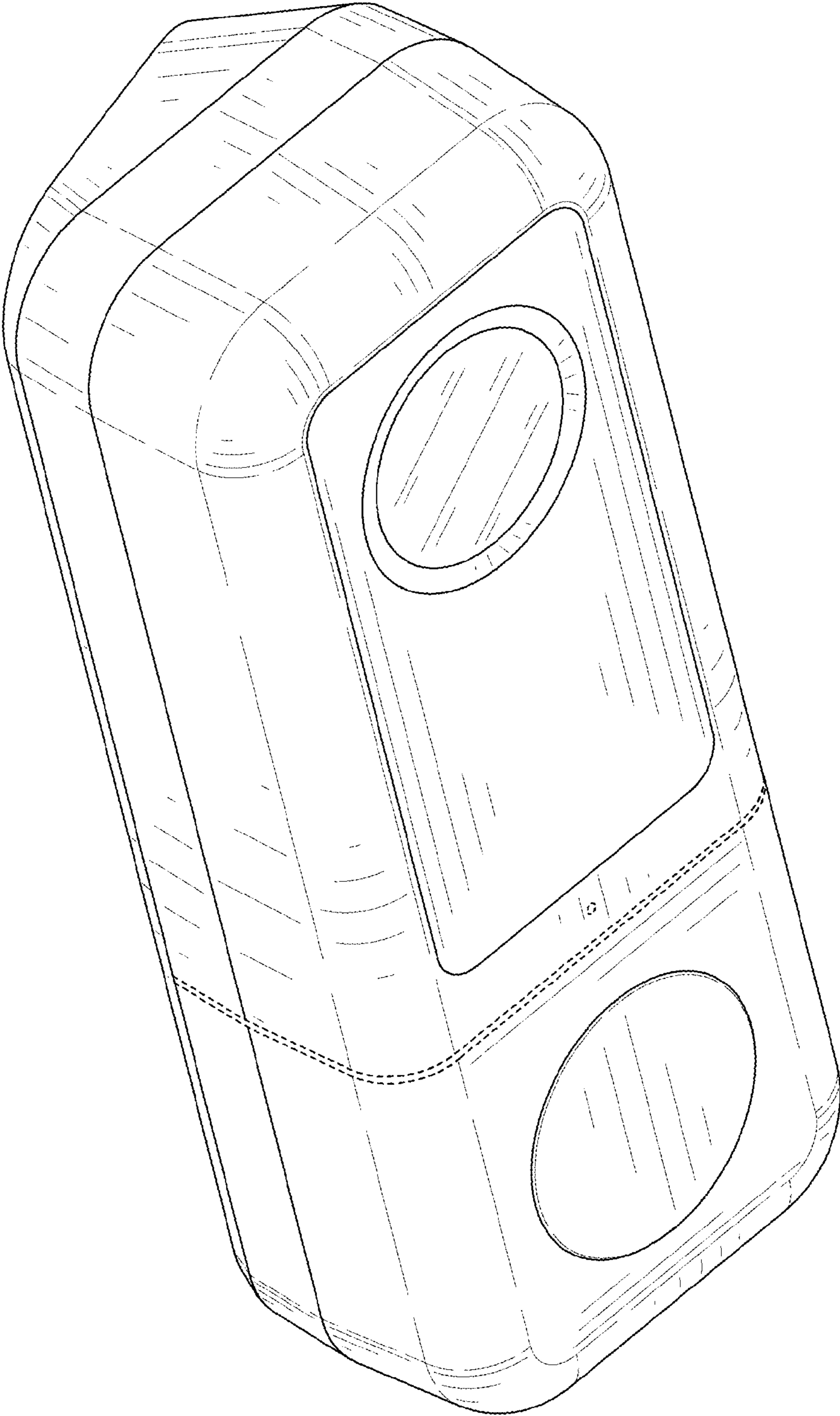


FIG.1

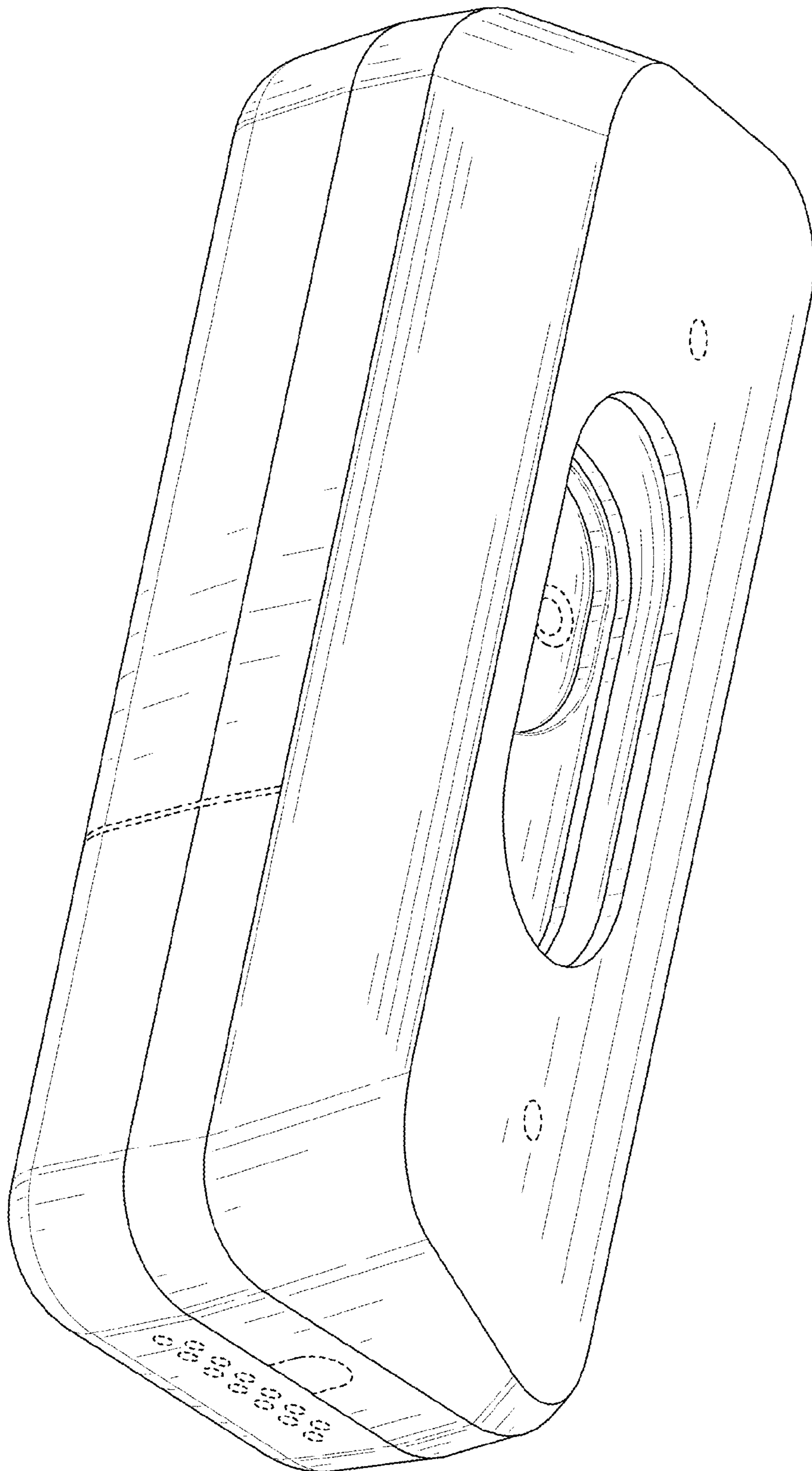


FIG.2

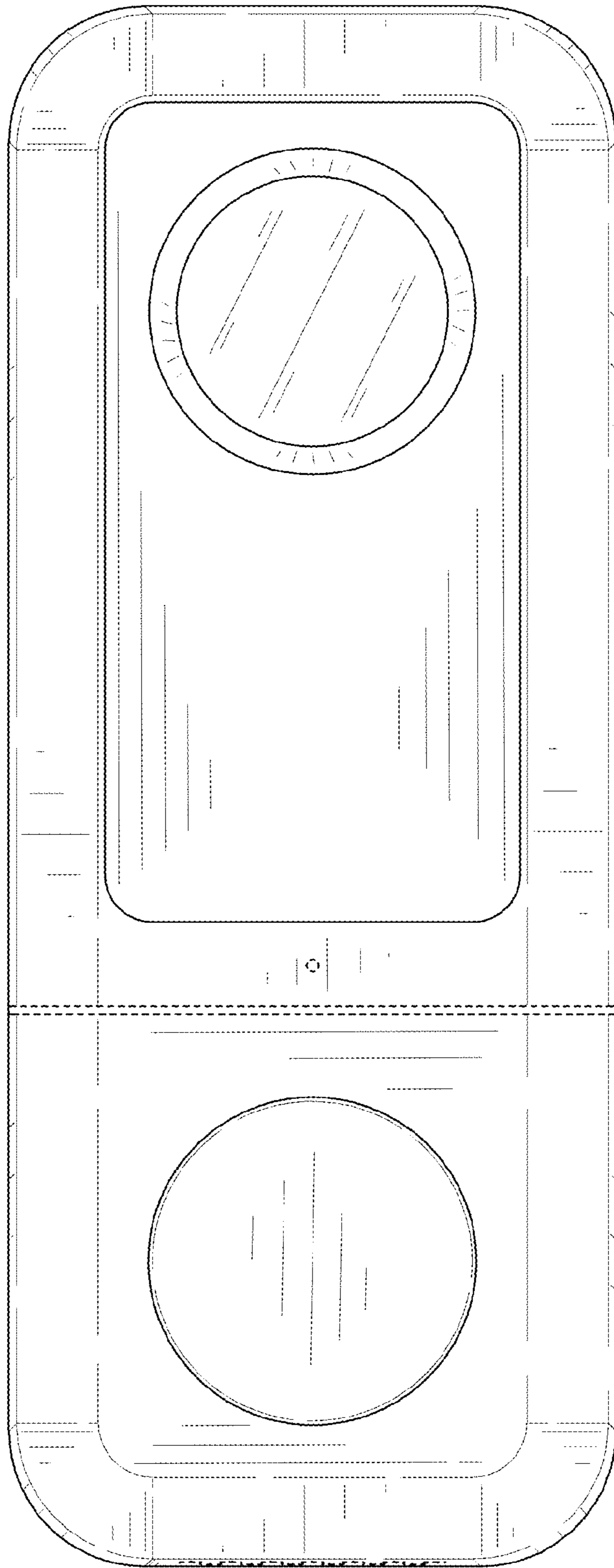


FIG. 3

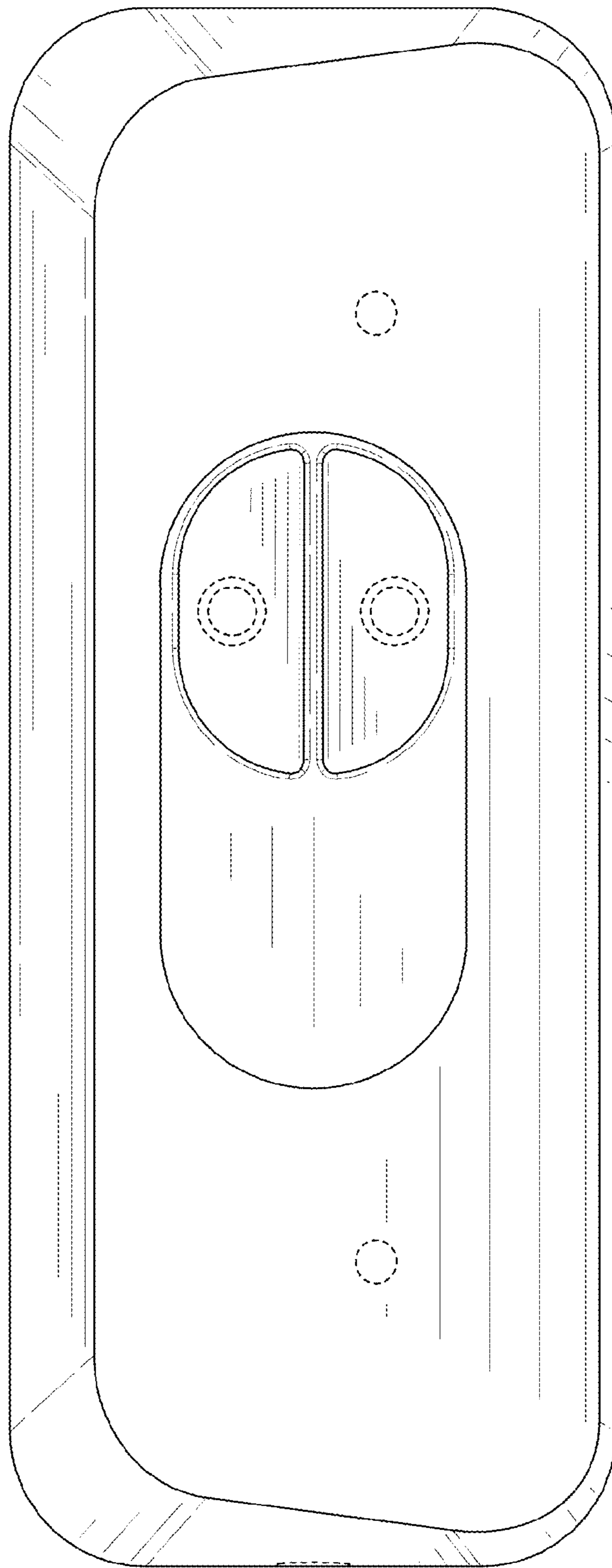


FIG. 4

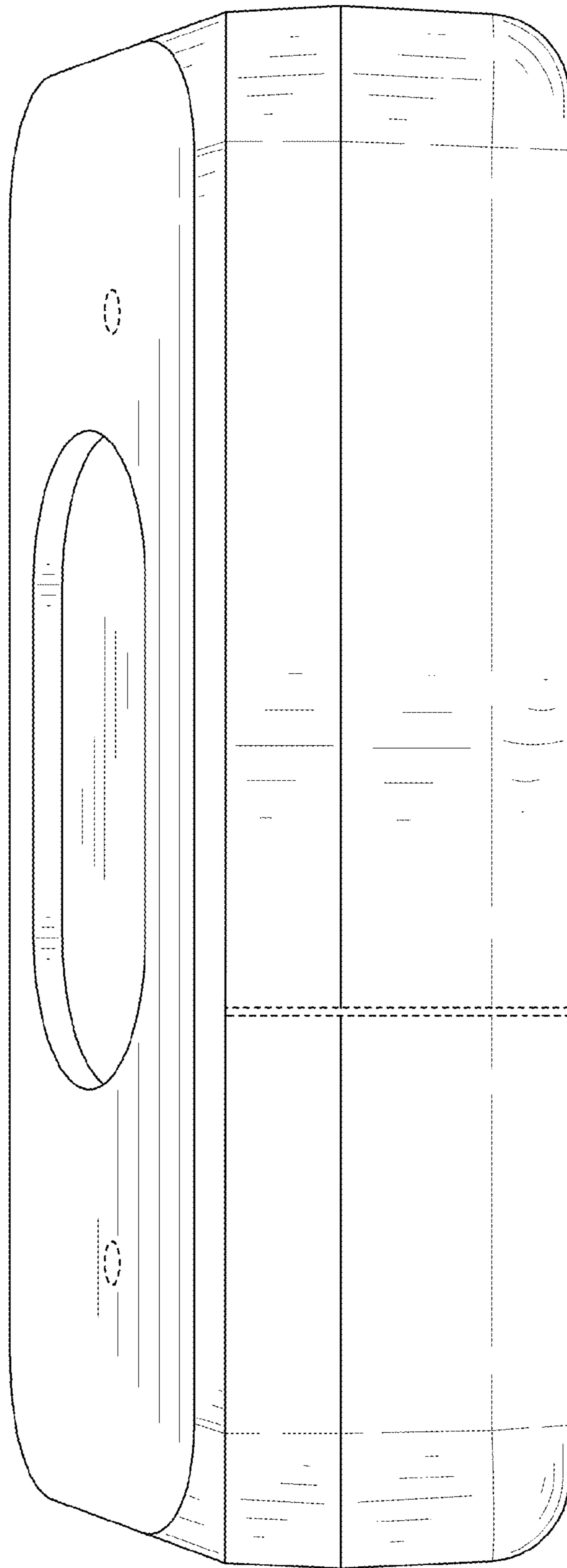


FIG. 5

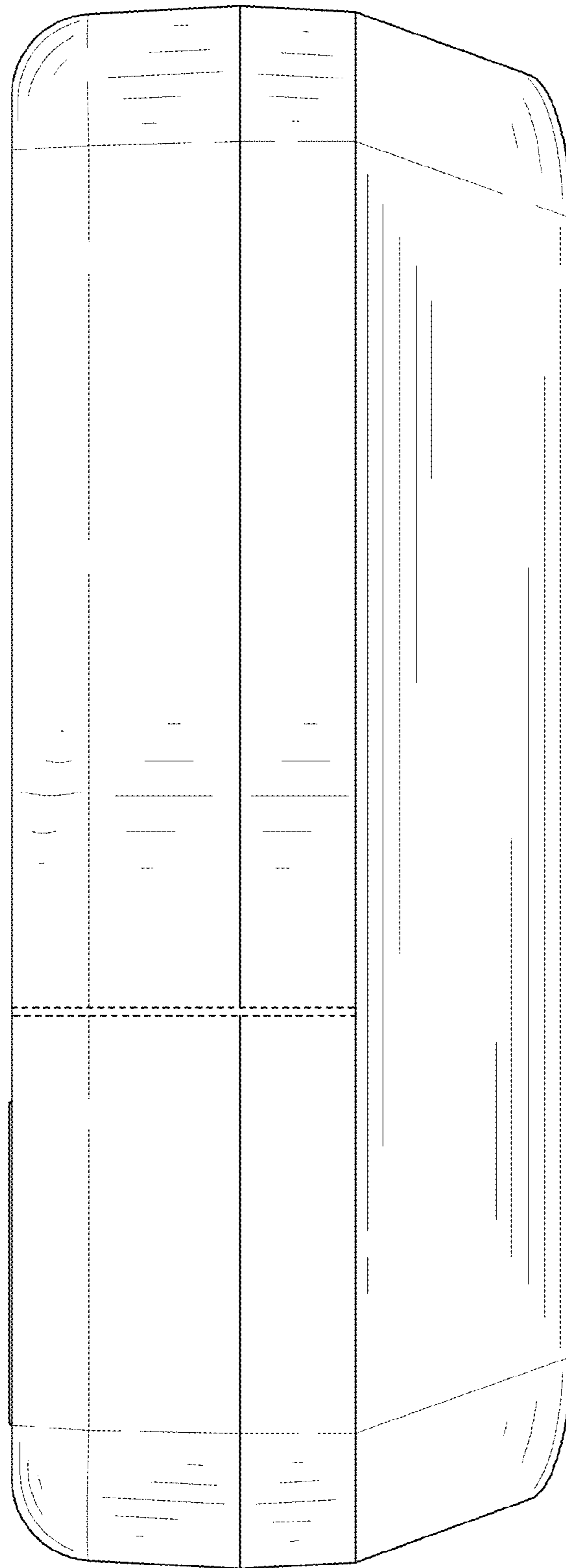


FIG.6

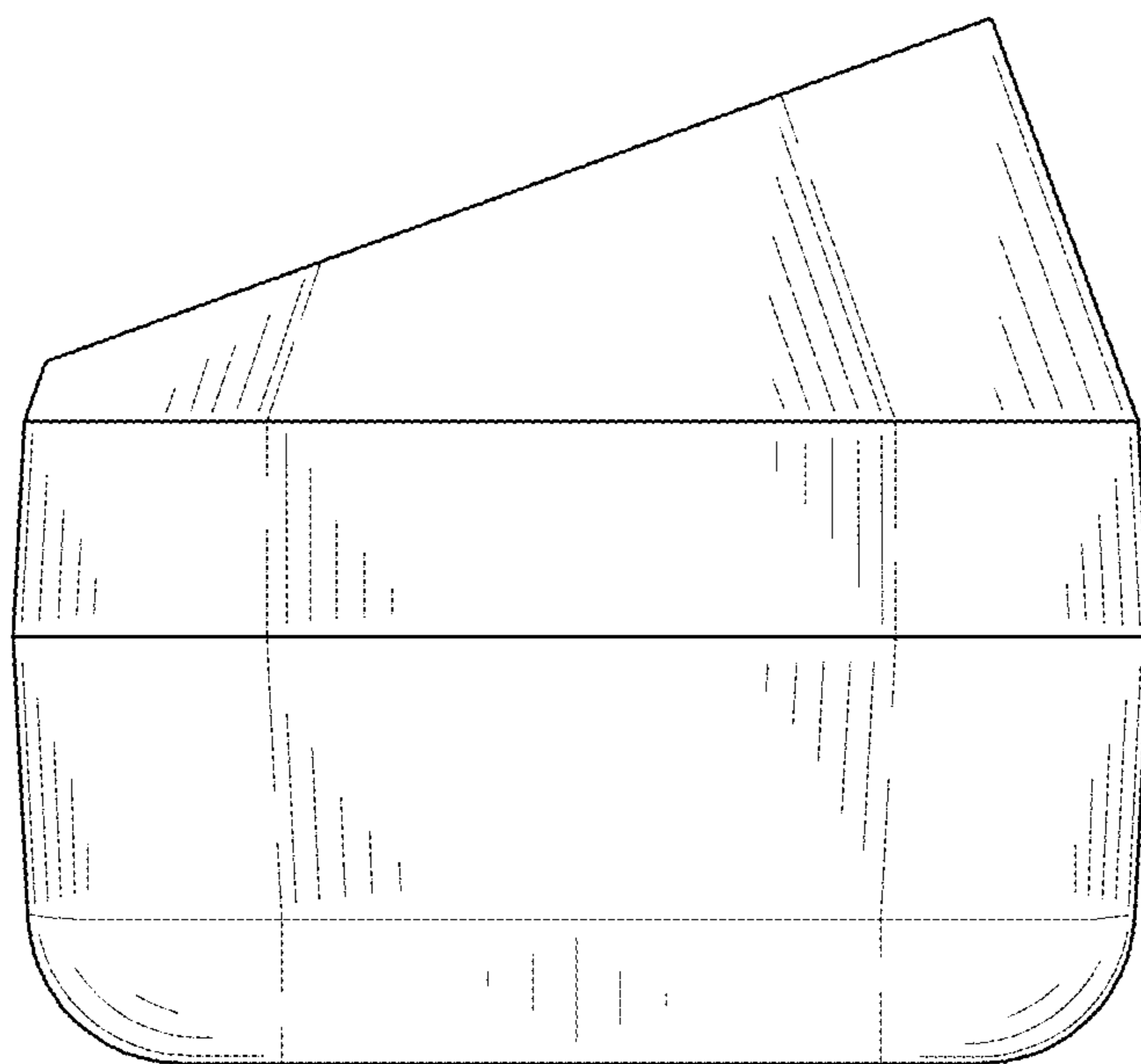


FIG. 7



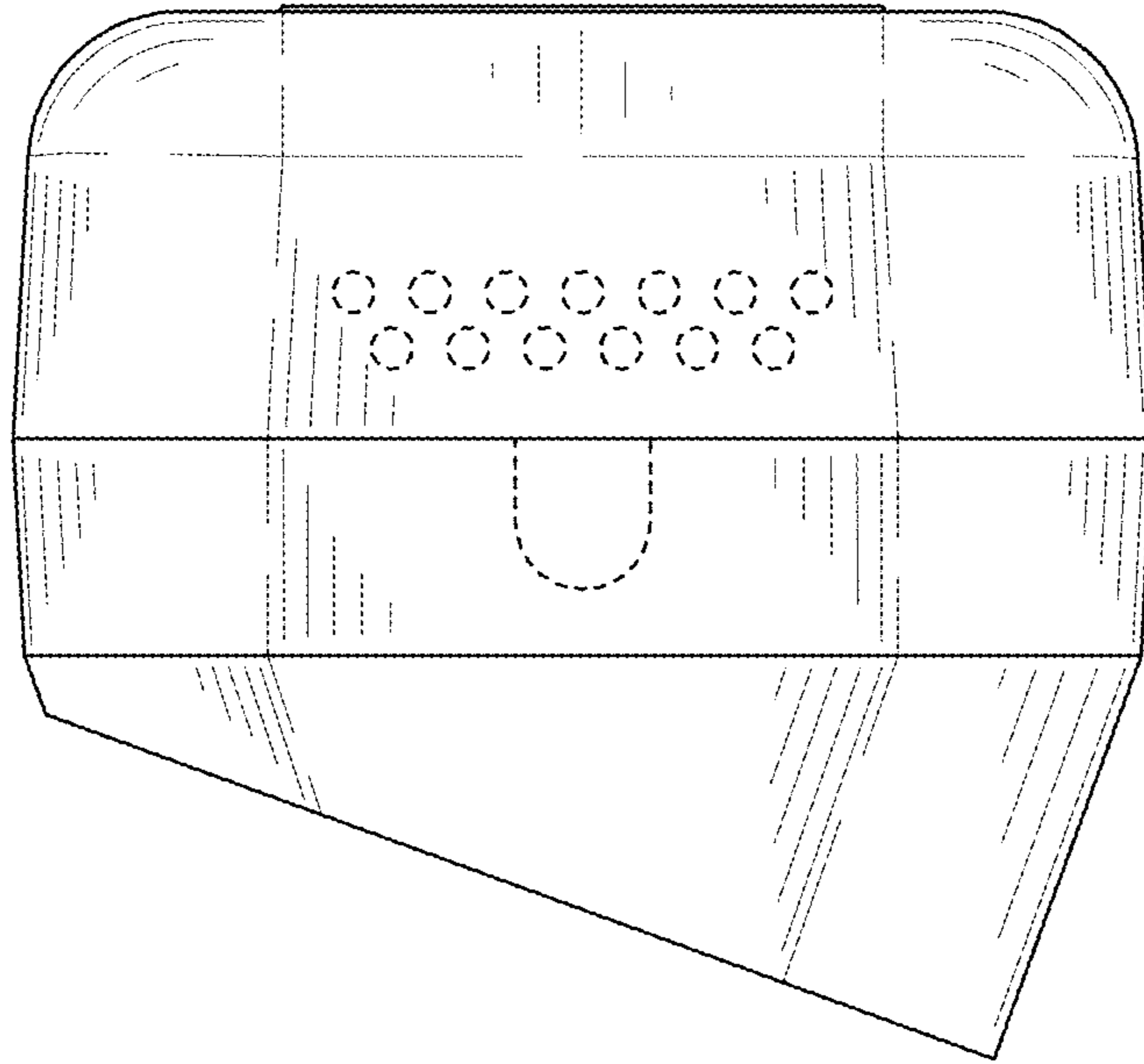


FIG. 8