



US00D939990S

(12) **United States Design Patent** (10) **Patent No.:** **US D939,990 S**  
**Greenwood et al.** (45) **Date of Patent:** **\*\* Jan. 4, 2022**

(54) **NOTIFICATION APPLIANCE**

CPC ..... H01H 13/00; H01H 13/023; H01H 13/14;  
H01H 13/56

(71) Applicant: **Carrier Corporation**, Farmington, CT  
(US)

See application file for complete search history.

(72) Inventors: **Thomas Greenwood**, Farmington, CT  
(US); **Martin Paul Robotham**,  
Farmington, CT (US)

(56) **References Cited**

U.S. PATENT DOCUMENTS

(73) Assignee: **CARRIER CORPORATION**,  
Farmington, CT (US)

D880,324 S \* 4/2020 Greenwood ..... D10/104.1  
D884,535 S \* 5/2020 Greenwood ..... D10/104.1  
2014/0009301 A1\* 1/2014 Robotham ..... G08B 5/38  
340/691.1  
2015/0167928 A1\* 6/2015 Greenwood ..... F21V 7/09  
362/297  
2020/0124239 A1\* 4/2020 Greenwood ..... F21S 9/024

(\*\*) Term: **15 Years**

\* cited by examiner

(21) Appl. No.: **29/723,075**

(22) Filed: **Feb. 4, 2020**

*Primary Examiner* — W. A. Teddy Falloway

*Assistant Examiner* — Katrina N Gonzalez

(74) *Attorney, Agent, or Firm* — Carlson, Gaskey & Olds,  
P.C.

**Related U.S. Application Data**

(62) Division of application No. 29/627,843, filed on Nov.  
30, 2017, now Pat. No. Des. 880,324.

(51) **LOC (13) Cl.** ..... **10-05**

(52) **U.S. Cl.**  
USPC ..... **D10/104.1**

(57) **CLAIM**

The ornamental design for a notification appliance, as shown  
and described.

(58) **Field of Classification Search**

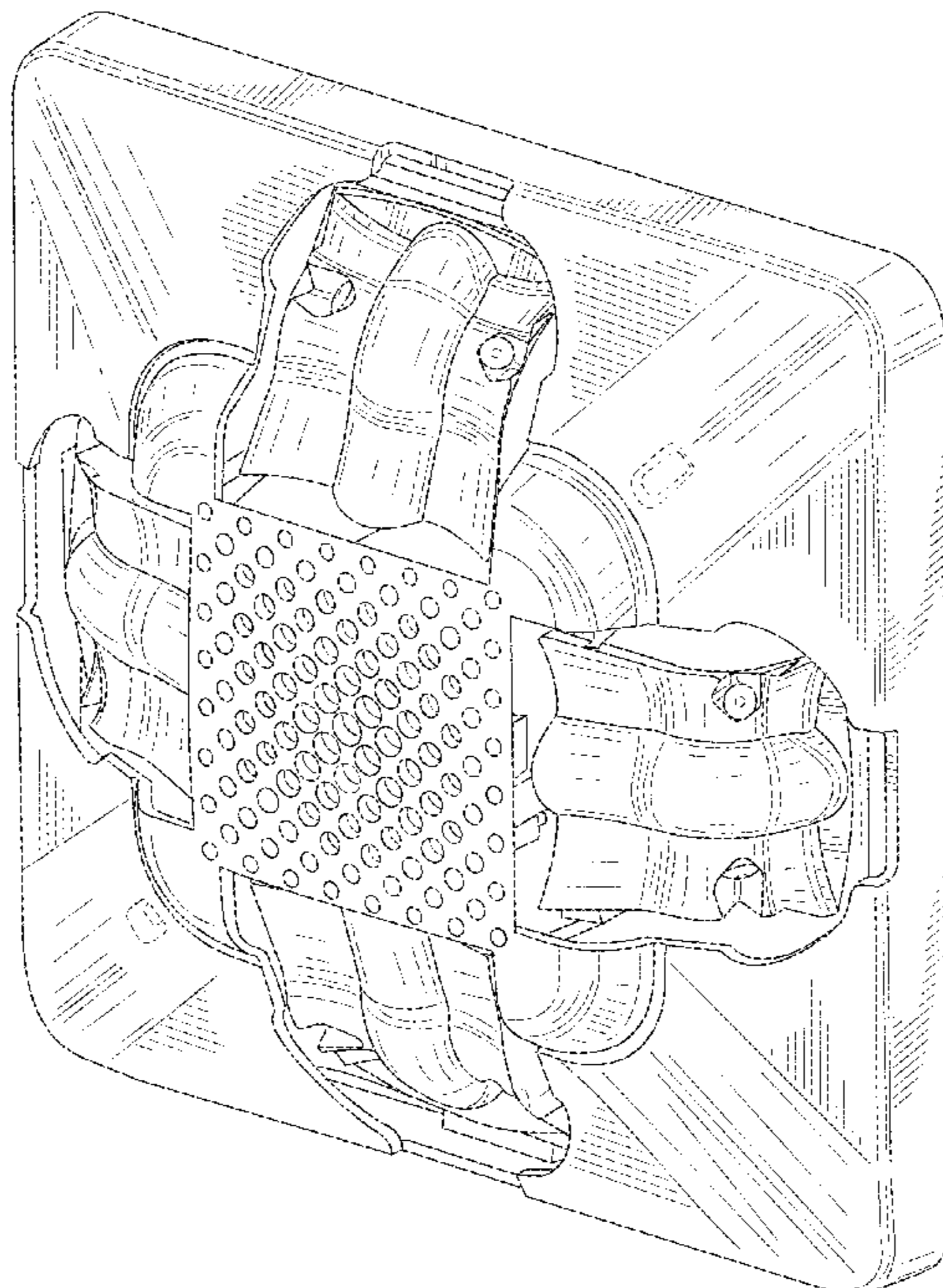
USPC ..... D10/49, 50, 51, 52, 104.1, 104.2, 105,  
D10/106.1, 106.2, 106.3, 106.4, 106.5,  
D10/106.6, 106.7, 106.8, 106.9, 107, 108,  
D10/109.1, 109.2, 110, 111, 112, 113.1,  
D10/113.2, 113.3, 113.4, 114.2, 114.3,  
D10/114.4, 114.5, 114.8, 114.9, 116.1,  
D10/120, 121, 122, 123, 124, 126, 46.1;  
D21/405, 722, 812, 396, 385; D23/213,  
D23/250; D28/82; D19/95, 96, 100;  
340/539.12, 392.1, 384.7, 326, 539.14;  
473/505, 510, 514

**DESCRIPTION**

FIG. 1 is a perspective view of a notification appliance;  
FIG. 2 is a front view thereof;  
FIG. 3 is a right side view thereof;  
FIG. 4 is a left side view thereof;  
FIG. 5 is a first end view thereof;  
FIG. 6 is a second end view thereof; and,  
FIG. 7 is a back view thereof.

The broken lines illustrate portions of the notification appli-  
cation that form no part of the claimed design.

**1 Claim, 6 Drawing Sheets**



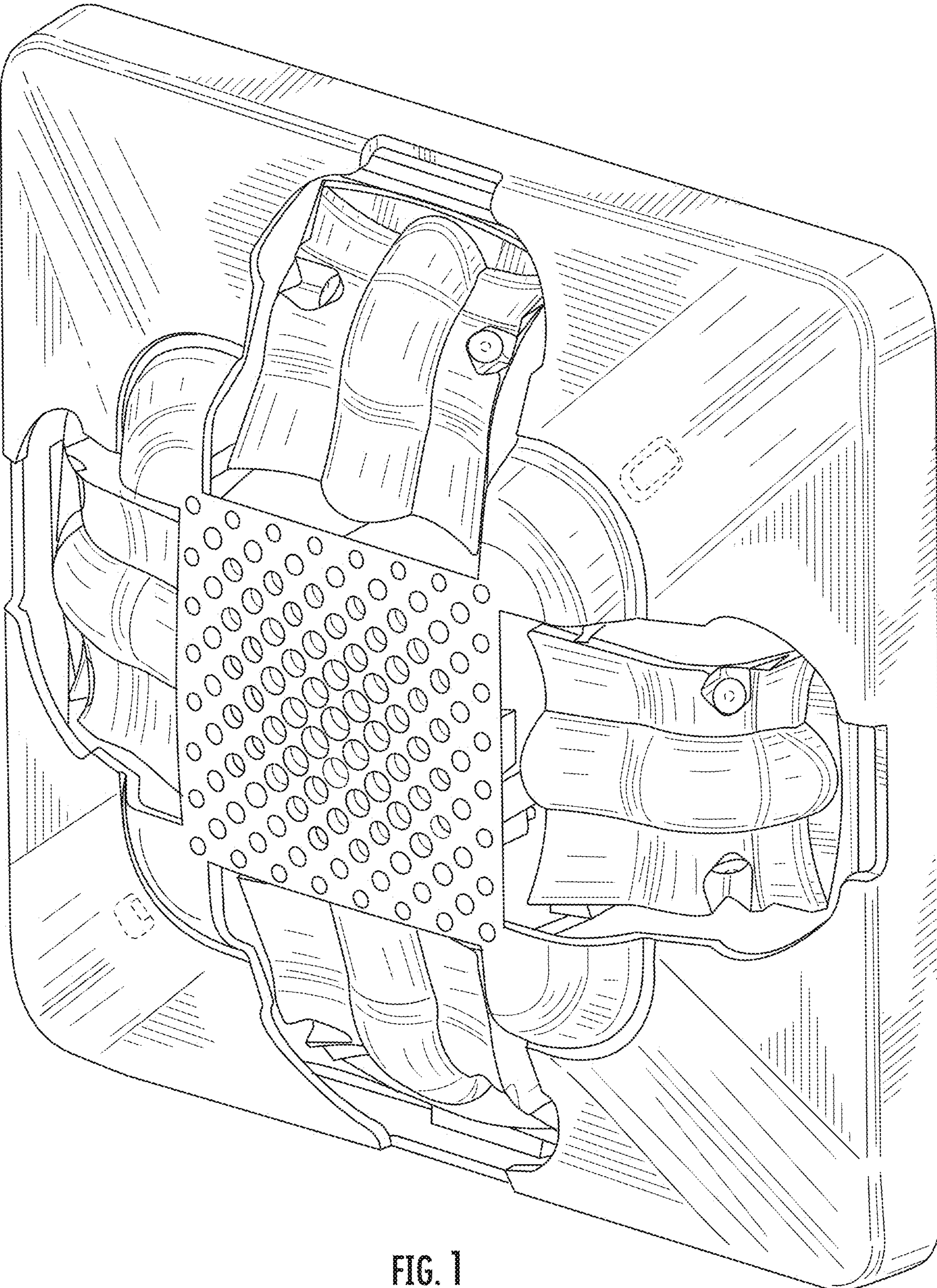


FIG. 1



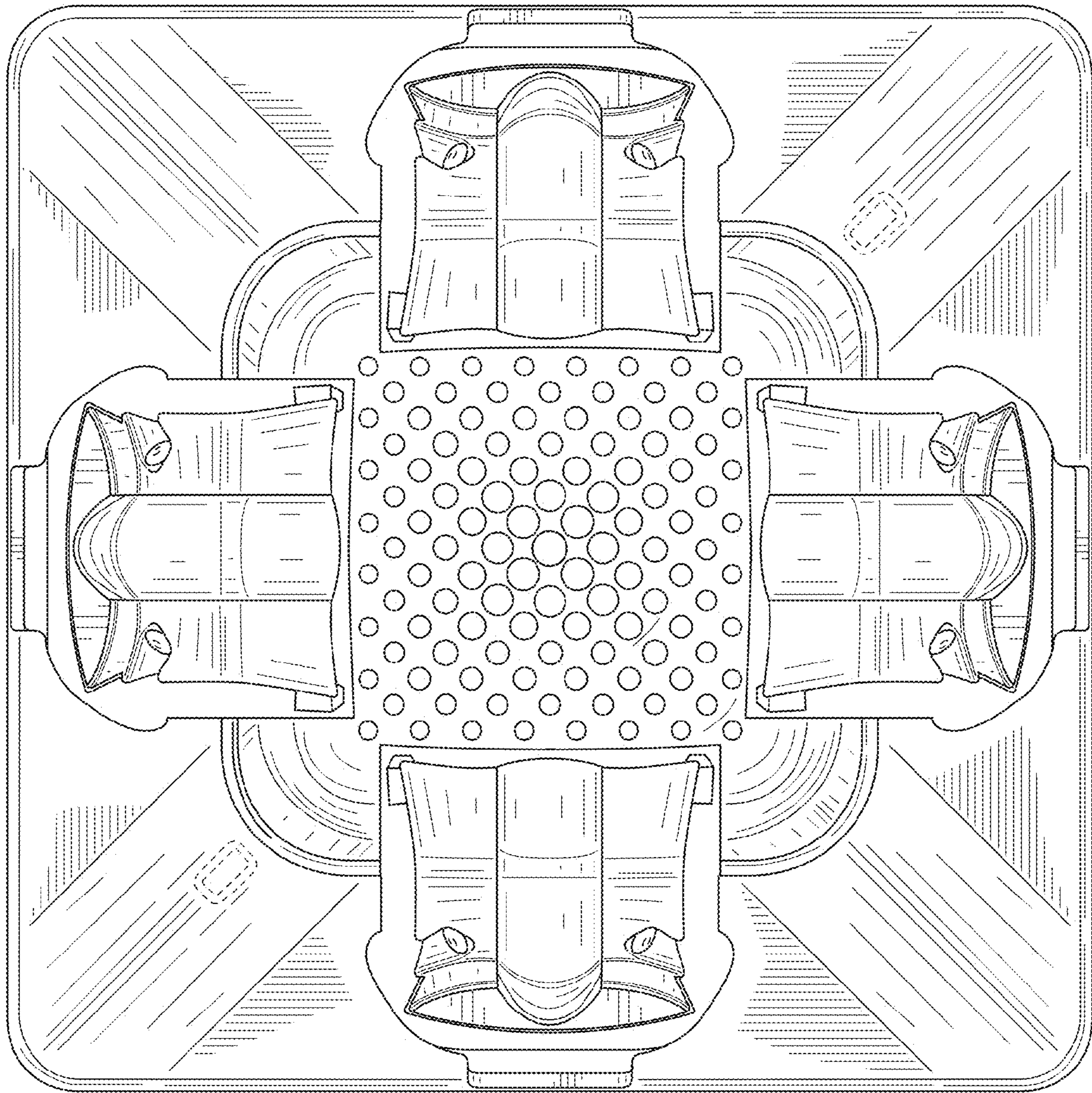


FIG. 2

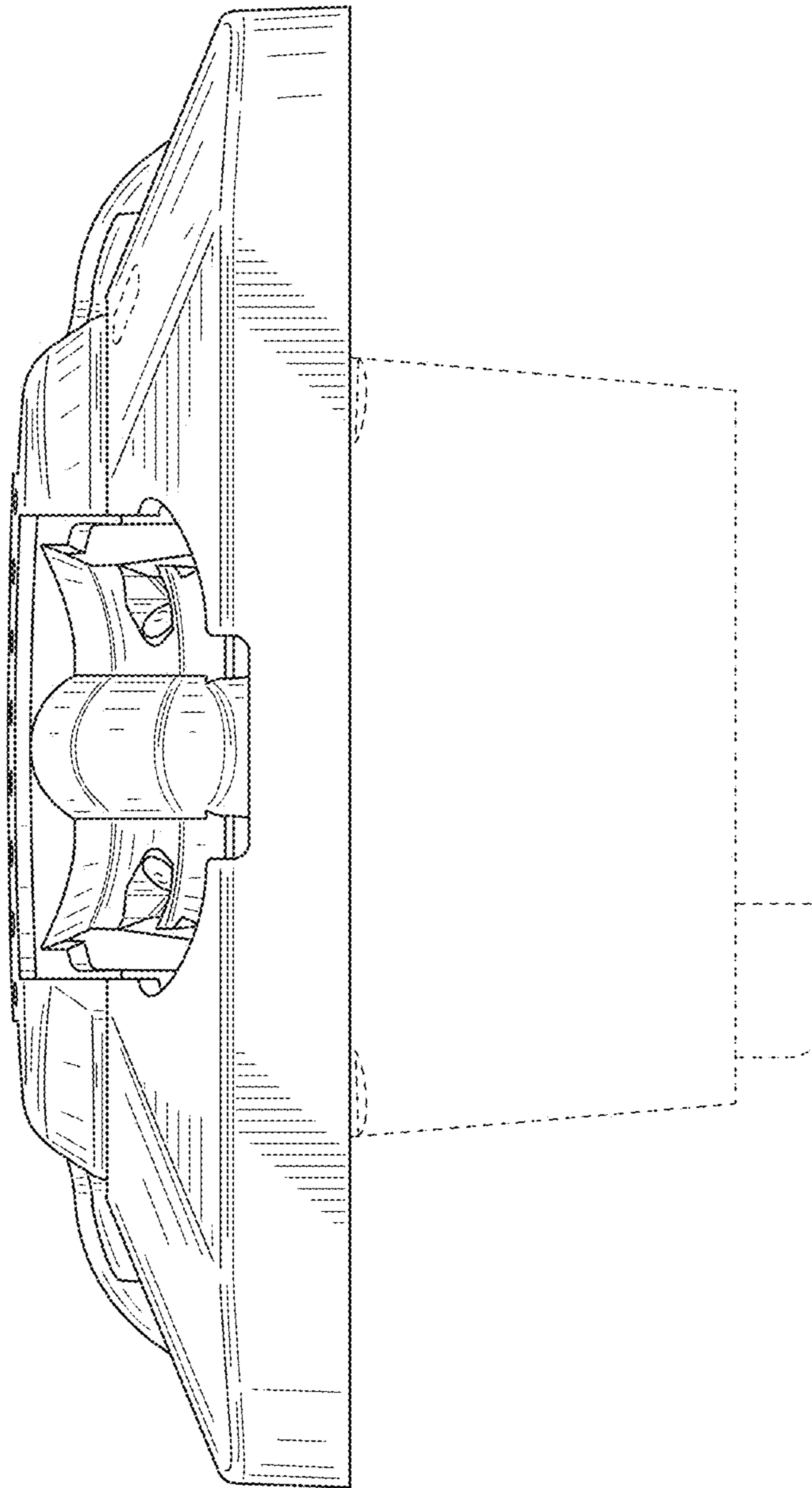


FIG. 3

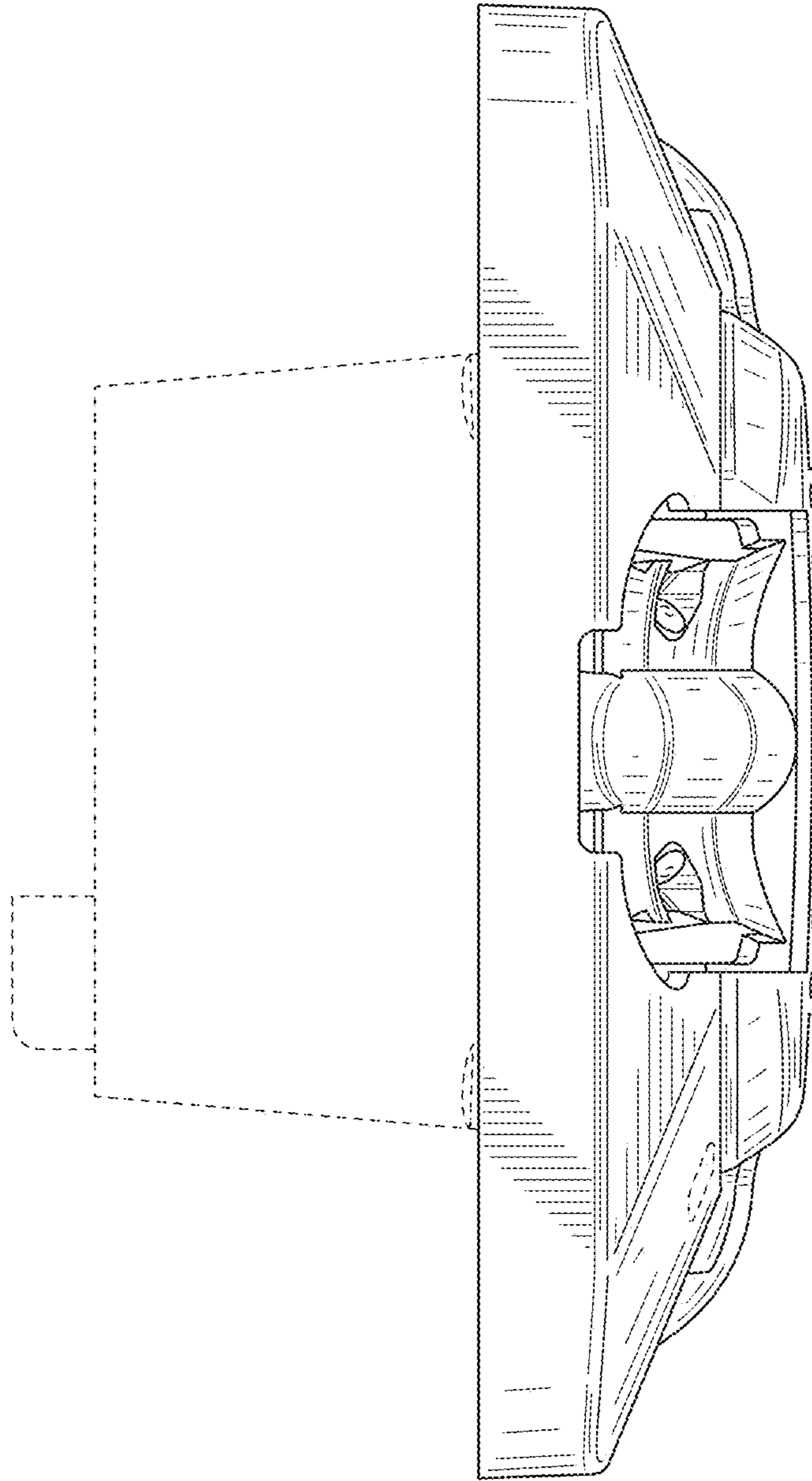


FIG. 4



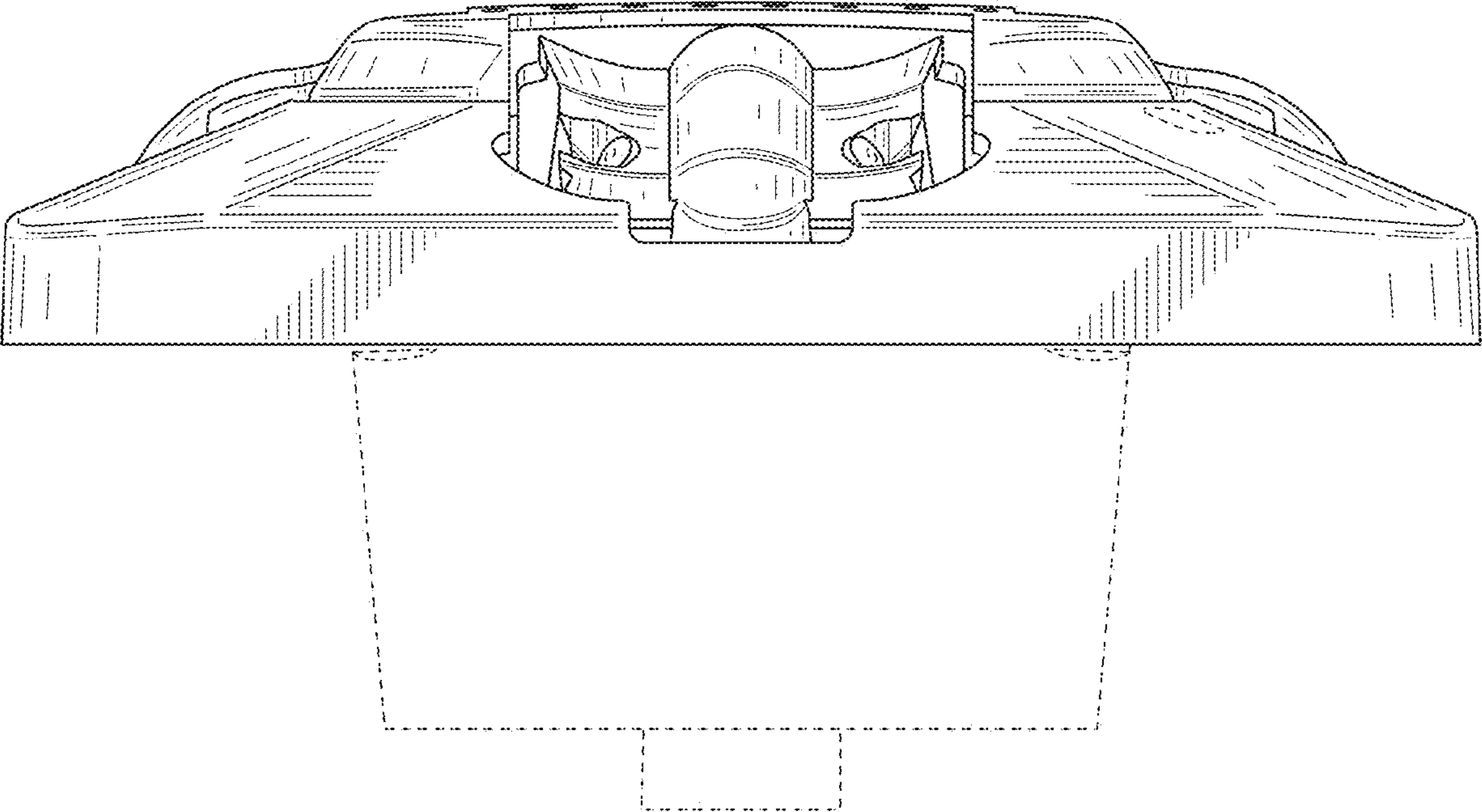


FIG. 5

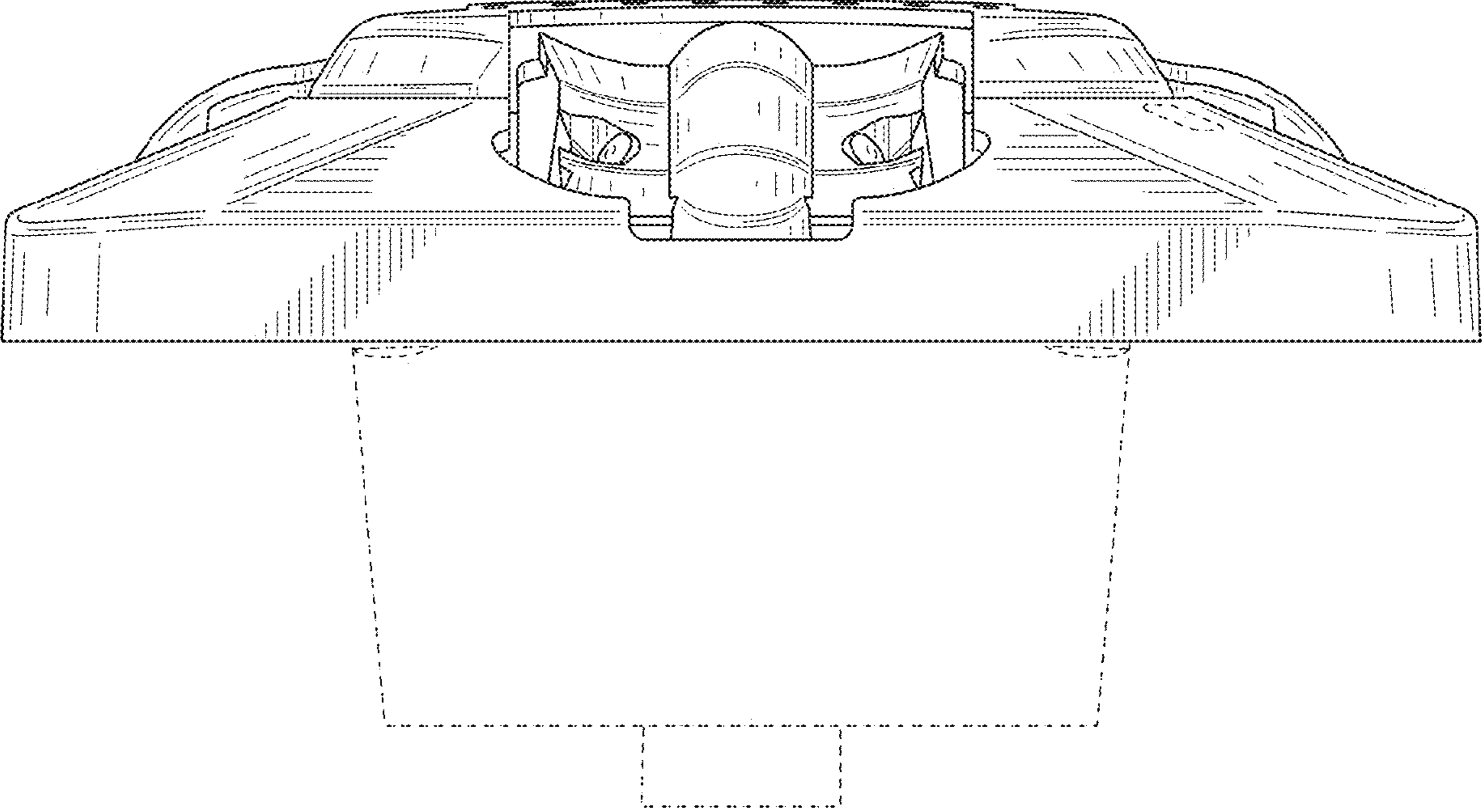


FIG. 6

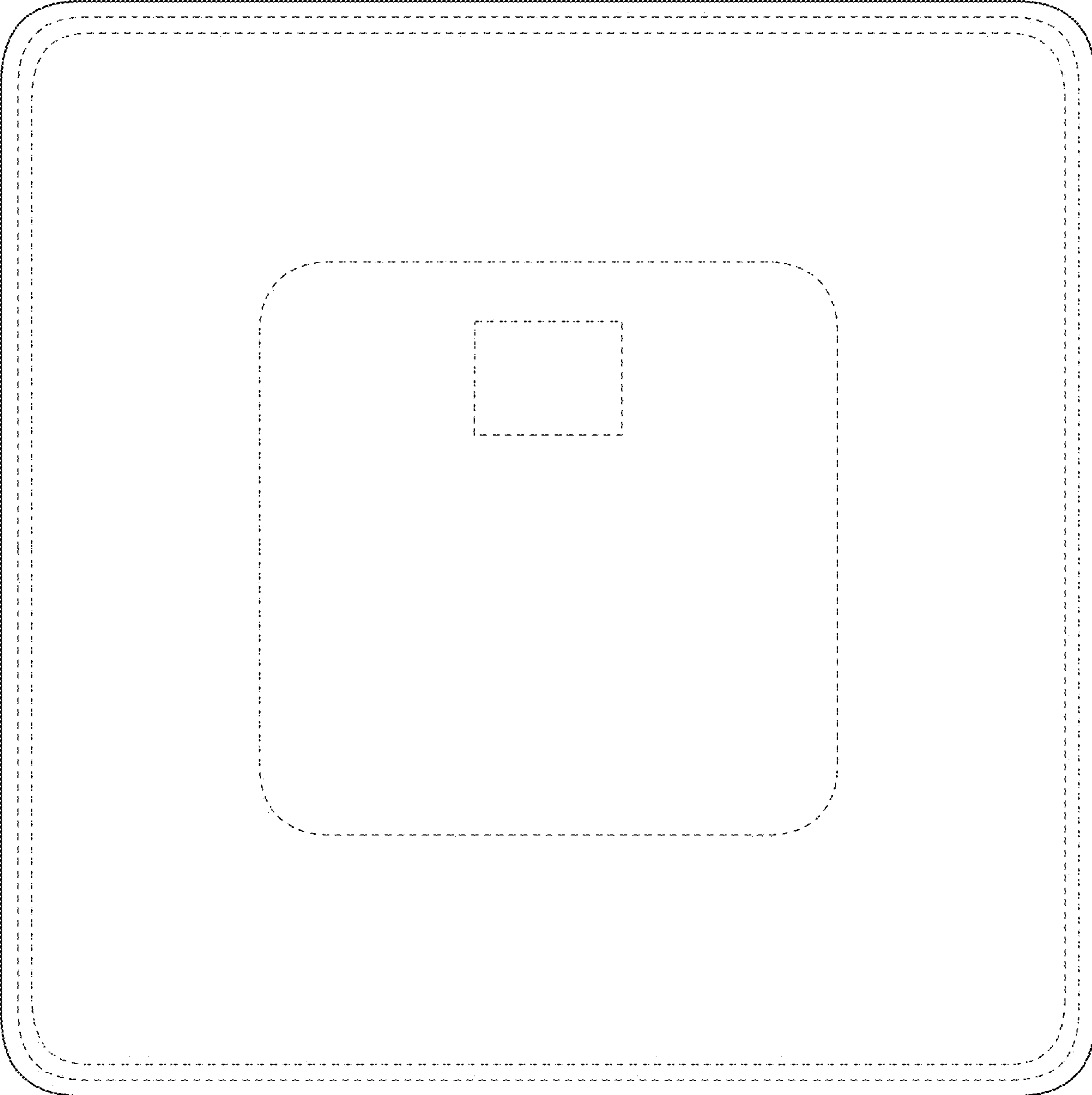


FIG. 7