

US00D939988S

(12) **United States Design Patent** (10) **Patent No.:** **US D939,988 S**
Kagan (45) **Date of Patent:** **** Jan. 4, 2022**

(54) **ELECTRONIC POWER METER**
(71) Applicant: **Electro Industries/Gauge Tech,**
Westbury, NY (US)
(72) Inventor: **Erran Kagan,** Great Neck, NY (US)
(73) Assignee: **Electro Industries/Gauge Tech,**
Westbury, NY (US)
(**) Term: **15 Years**

D241,006 S 8/1976 Wallace
3,989,334 A 11/1976 Fortino
D273,574 S 4/1984 Overs
4,609,247 A 9/1986 Annot
5,014,213 A 5/1991 Edwards et al.
D332,923 S 2/1993 Polydoris et al.
D343,786 S 2/1994 Hines et al.
D348,019 S 6/1994 Kocol et al.
5,459,850 A 10/1995 Clay et al.
5,475,693 A 12/1995 Christopherson et al.
D366,434 S 1/1996 Brown, III et al.
5,485,595 A 1/1996 Assar et al.
5,581,470 A 12/1996 Pawloski

(Continued)

(21) Appl. No.: **29/707,148**

(22) Filed: **Sep. 26, 2019**

(51) **LOC (13) Cl.** **10-04**

(52) **U.S. Cl.**
USPC **D10/100; D10/99**

(58) **Field of Classification Search**
USPC D10/99, 100
CPC G01R 22/00; G01R 22/06; G01R 22/061;
G01R 22/08; G01R 22/10; G01R 22/065;
G01R 21/00; G01R 21/06; G01R 21/133;
G01R 21/1331; G01R 21/1333; G01R
21/1335; G01R 21/1336; G01R 21/1338;
G01R 21/065; G06F 17/40; G06F 19/00;
G01D 4/006; G01D 11/245; G06Q 50/06;
F25D 29/00; F25D 21/08; F25B 2600/23;
H02J 3/04; H02J 13/0086; H02J 13/0062;
H02J 2003/146; Y02B 70/3225; Y02B
70/3216

See application file for complete search history.

(56) **References Cited**

U.S. PATENT DOCUMENTS

D56,045 S 8/1920 White
D76,149 S 2/1924 Olsen
1,705,301 A 3/1929 Miller
D187,740 S 4/1960 Littlejohn
D199,808 S 12/1964 Road
D201,100 S 5/1965 Little

OTHER PUBLICATIONS

ACUREV 1310 Three-Phased DIN-Rail Multifunction Meter, Brochure, Accuenergy Corporation, Mar. 23, 2018, pp. 1-10.

(Continued)

Primary Examiner — Antoine Duval Davis

(74) *Attorney, Agent, or Firm* — Michael J Porco; Gerald Hespos; Matthew T. Hespos

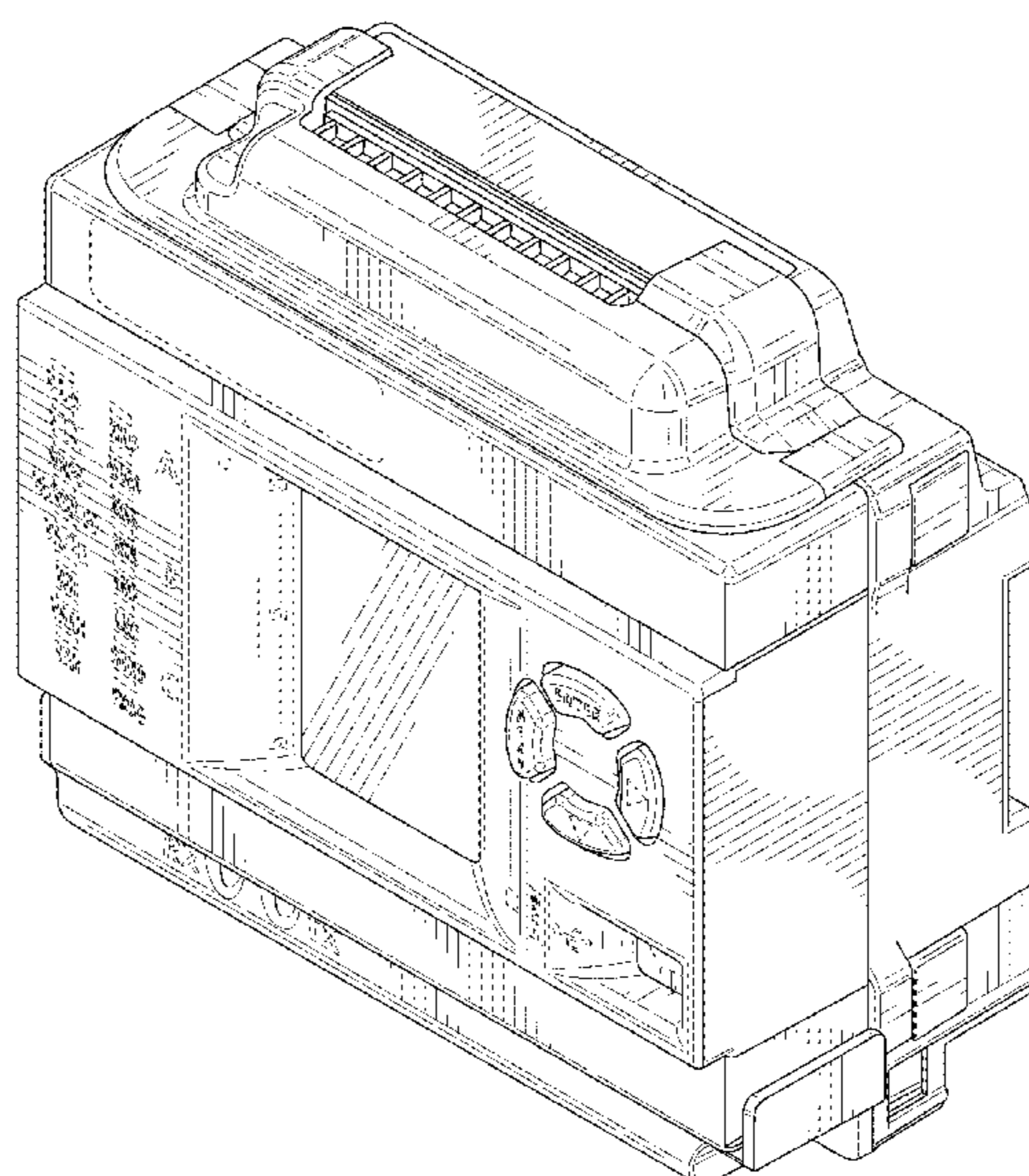
(57) **CLAIM**

The ornamental design for an electronic power meter, as shown and described.

DESCRIPTION

FIG. 1 is a front, right perspective view of an electronic power meter showing my new design; FIG. 2 is a front elevational view thereof; FIG. 3 is a rear elevational view thereof; FIG. 4 is a top plan view thereof; FIG. 5 is a bottom plan view thereof; FIG. 6 is a left side elevational view thereof; and, FIG. 7 is a right side elevational view thereof. The broken lines are for the purpose of illustrating portions of the electronic power meter and form no part of the claimed design.

1 Claim, 7 Drawing Sheets



(56)

References Cited

U.S. PATENT DOCUMENTS

2004/0193329 A1 9/2004 Ransom et al.
 2004/0229578 A1 11/2004 Lightbody et al.
 2005/0017874 A1 1/2005 Lightbody et al.
 2005/0027464 A1 2/2005 Jonker et al.
 2005/0071106 A1 3/2005 Huber et al.
 2005/0273281 A1 12/2005 Wall et al.
 2005/0275397 A1 12/2005 Lightbody et al.
 2005/0281105 A1 12/2005 Oshima
 2005/0288876 A1 12/2005 Doig et al.
 2005/0288877 A1 12/2005 Doig et al.
 2006/0039196 A1 2/2006 Gorobets et al.
 2006/0052958 A1 3/2006 Hancock et al.
 2006/0070416 A1 4/2006 Teratani
 2006/0071813 A1 4/2006 Kagan
 2006/0076944 A1 4/2006 Weikel et al.
 2006/0077999 A1 4/2006 Kagan et al.
 2006/0086893 A1 4/2006 Spanier et al.
 2006/0106972 A1 5/2006 Gorobets et al.
 2006/0133454 A1 6/2006 Beckwith
 2006/0161400 A1 7/2006 Kagan
 2006/0170409 A1 8/2006 Kagan et al.
 2006/0230394 A1 10/2006 Forth et al.
 2006/0271244 A1 11/2006 Cumming et al.
 2007/0033151 A1 2/2007 Lee
 2007/0055889 A1 3/2007 Henneberry et al.
 2007/0067119 A1 3/2007 Loewen et al.
 2007/0067121 A1 3/2007 Przydatek et al.
 2007/0114054 A1 5/2007 Mon
 2007/0136010 A1 6/2007 Gunn et al.
 2007/0150214 A1 6/2007 Qin et al.
 2007/0165365 A1 7/2007 Kamiya
 2008/0046205 A1 2/2008 Gilbert et al.
 2008/0065335 A1 3/2008 Doig et al.

2008/0263245 A1 10/2008 Hsieh
 2009/0011738 A1 1/2009 Sasakura
 2009/0140880 A1 6/2009 Flen et al.
 2009/0182921 A1 7/2009 Lin et al.
 2010/0289457 A1 11/2010 Onnerud et al.
 2012/0314354 A1 12/2012 Rayner
 2013/0297840 A1 11/2013 Kagan et al.

OTHER PUBLICATIONS

ACUREV 2000 Multi-Circuits Networked Multifunction Power Energy Meter, Brochure, Accuenergy Corporation, Aug. 2017, pp. 1-9.
 BE1-951 Multifunction Protection System, Basler Electric, Sep. 2012 pp. 1-12.
 Jemstar High Accuracy Revenue Meter For Generation, Transmission, and Industrial Power Measurement, Ametek Power Instruments, 2012, pp. 1-2.
 Jemstar Retrofit For Generation, Transmission, and Industrial Power Measurement, Ametek Power Instruments, 2007, pp. 1-2.
 Mark-V EMS60 Intelligent Energy Meter, Advanced High-Accuracy Meter With Integrated Data Telemetry Solutions and Power Quality Monitoring, Transdata Energy Metering and Automation, 2010, pp. 1-2.
 Nexus 1262/1272 High Performance Utility Billing Meters With Communication & Advanced Power Quality, Electro Industries/Gaugetech, 062112 pp. 1-12.
 Nexus 1262/1272 Switchboard Meter Quick Start, Electro Industries-Gaugetech, 083112, pp. 1-4.
 Powerlogic ION8650, Schneider Electric, 2011, pp. 1-12.
 Veris Industries, E5X Series Power Monitoring Single-Circuit, Enhanced Power and Energy Meters, Datasheet, Jan. 2019, pp. 1-2.

* cited by examiner

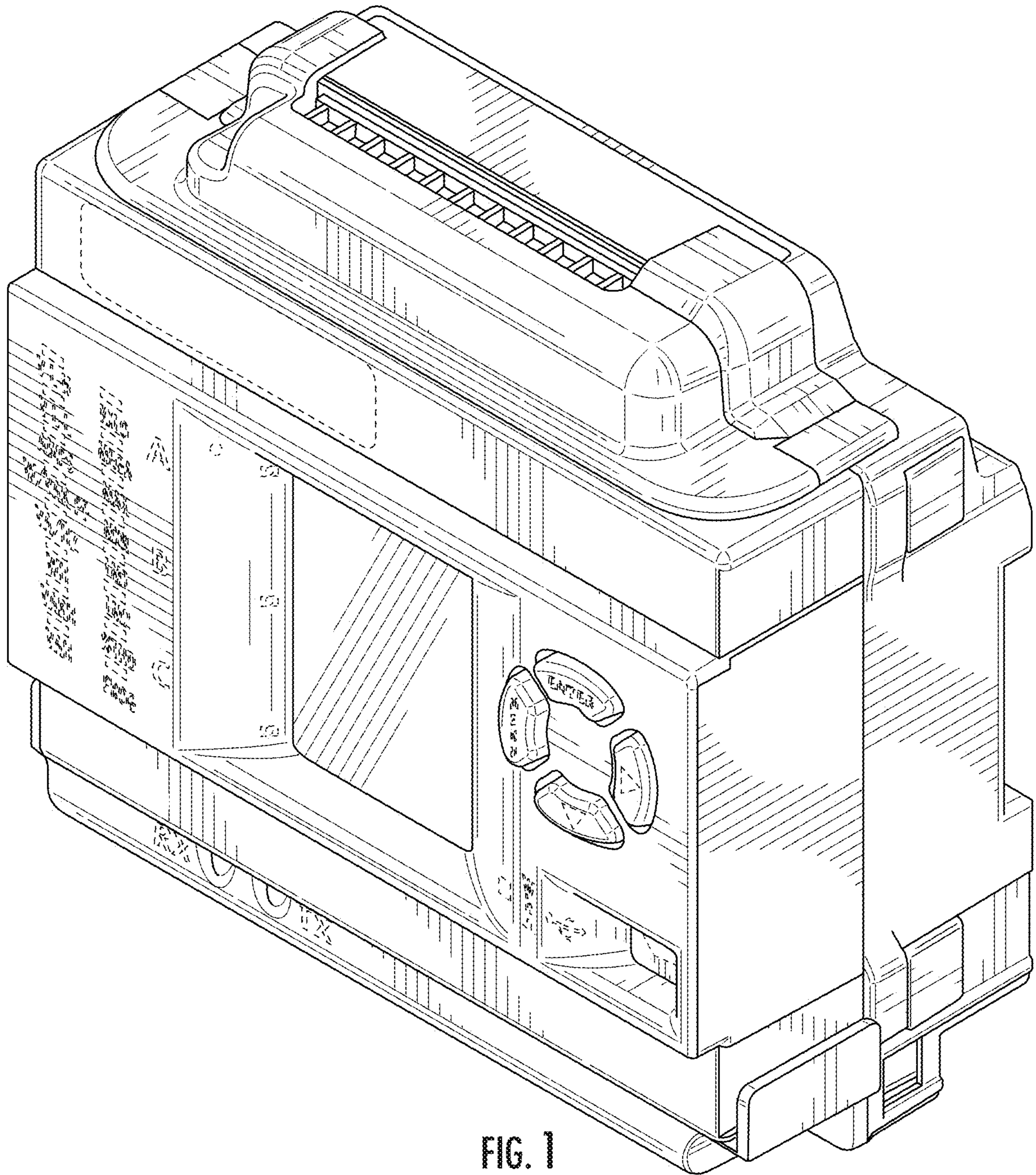


FIG. 1

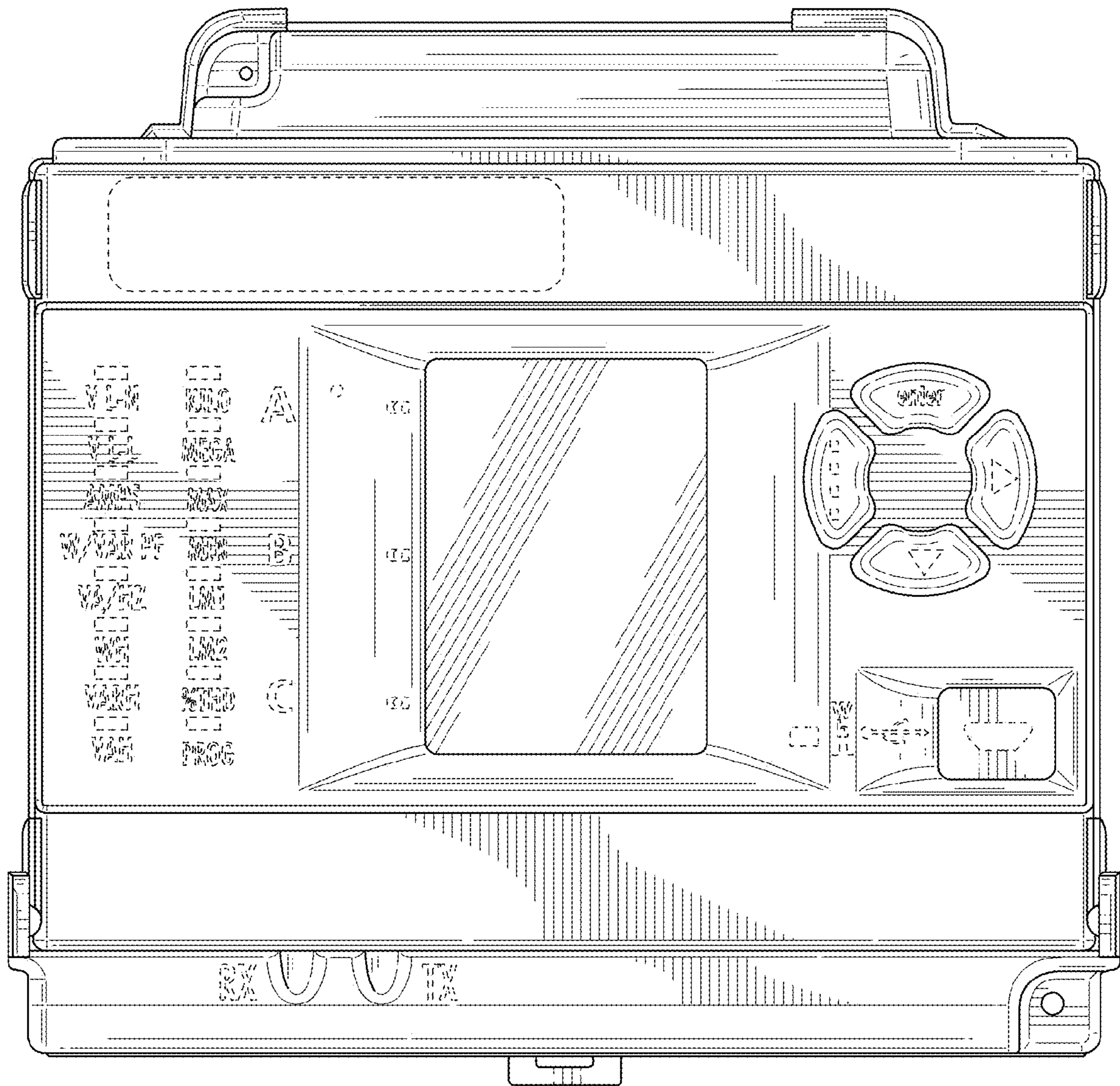


FIG. 2

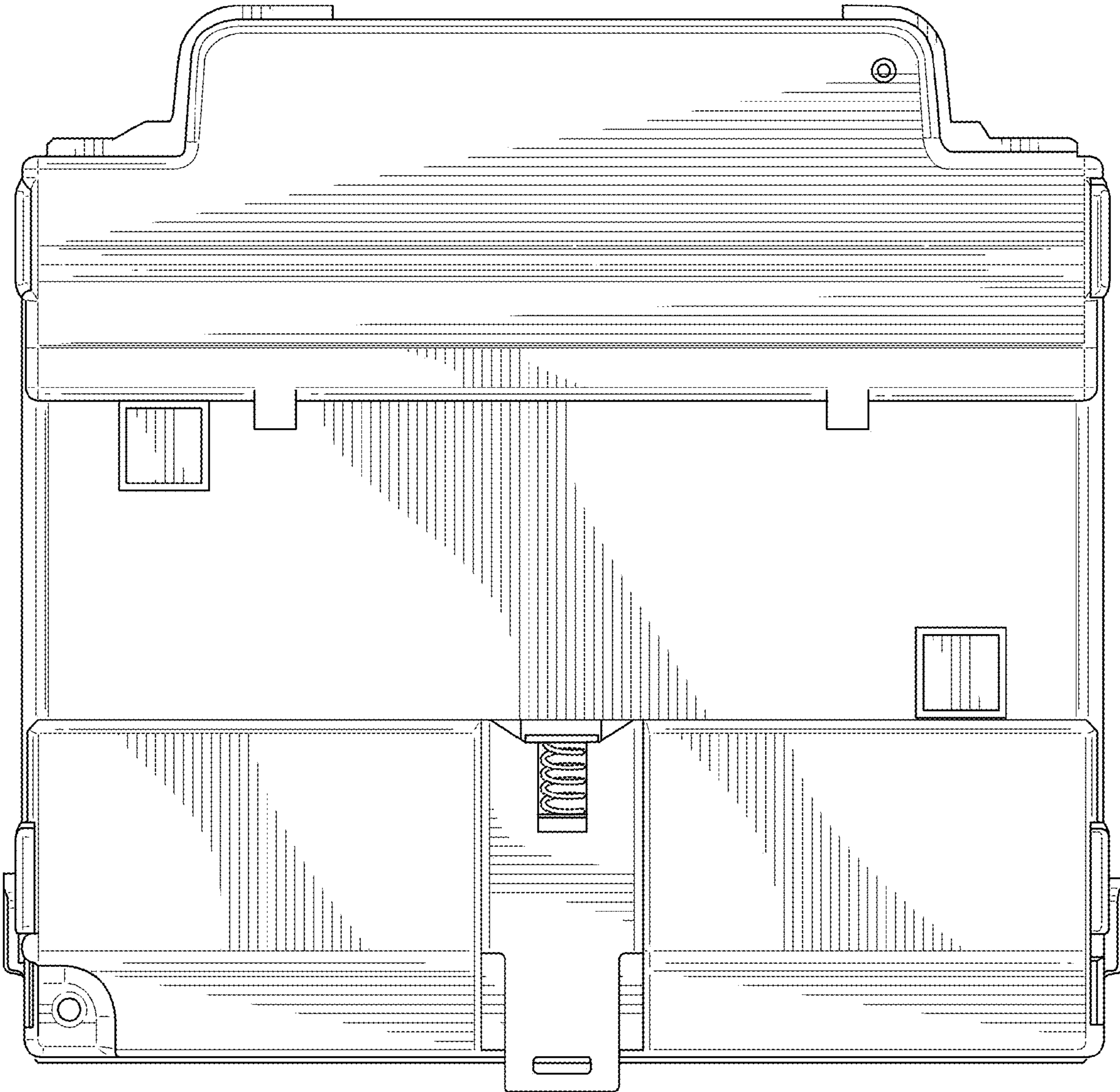


FIG. 3

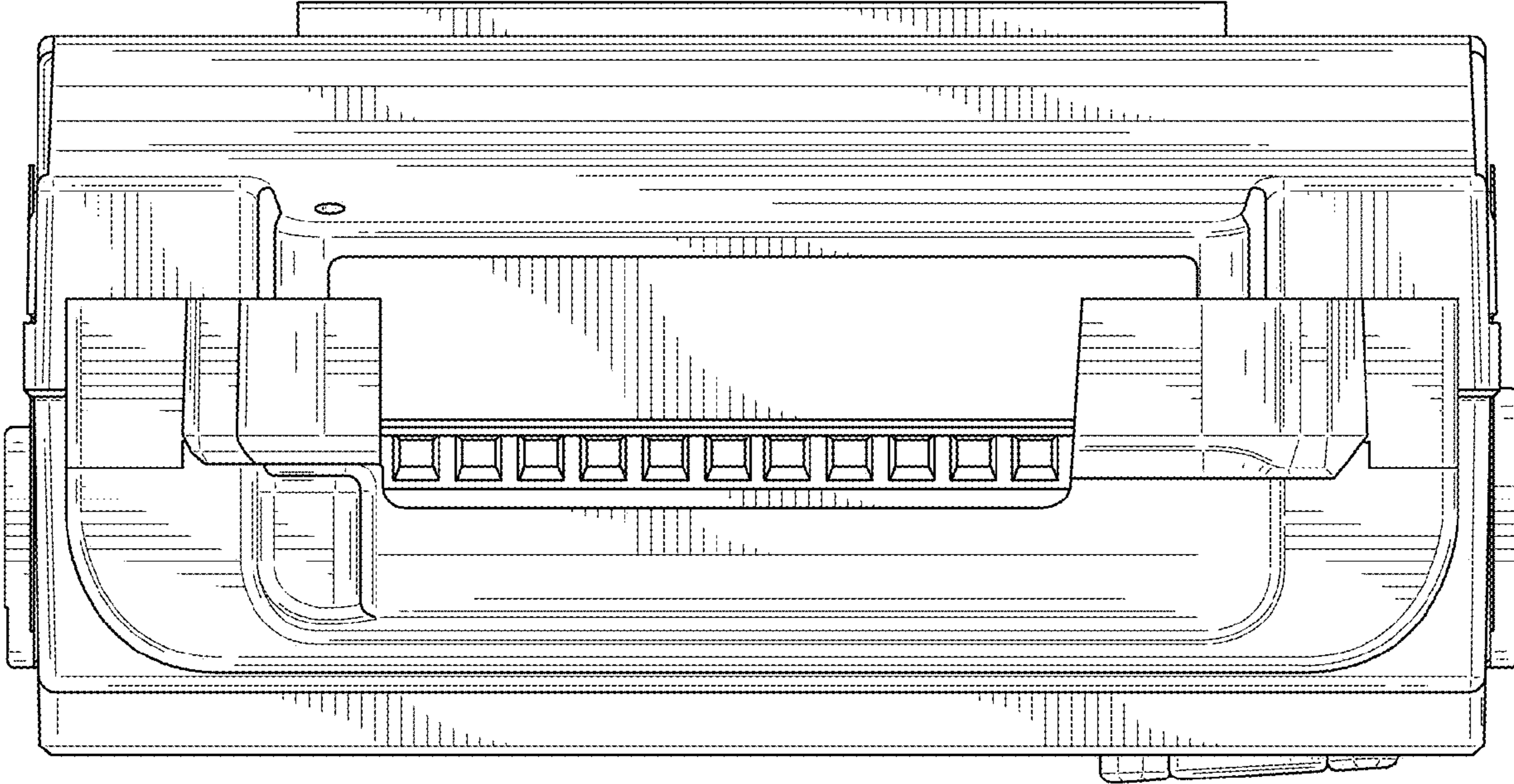


FIG. 4

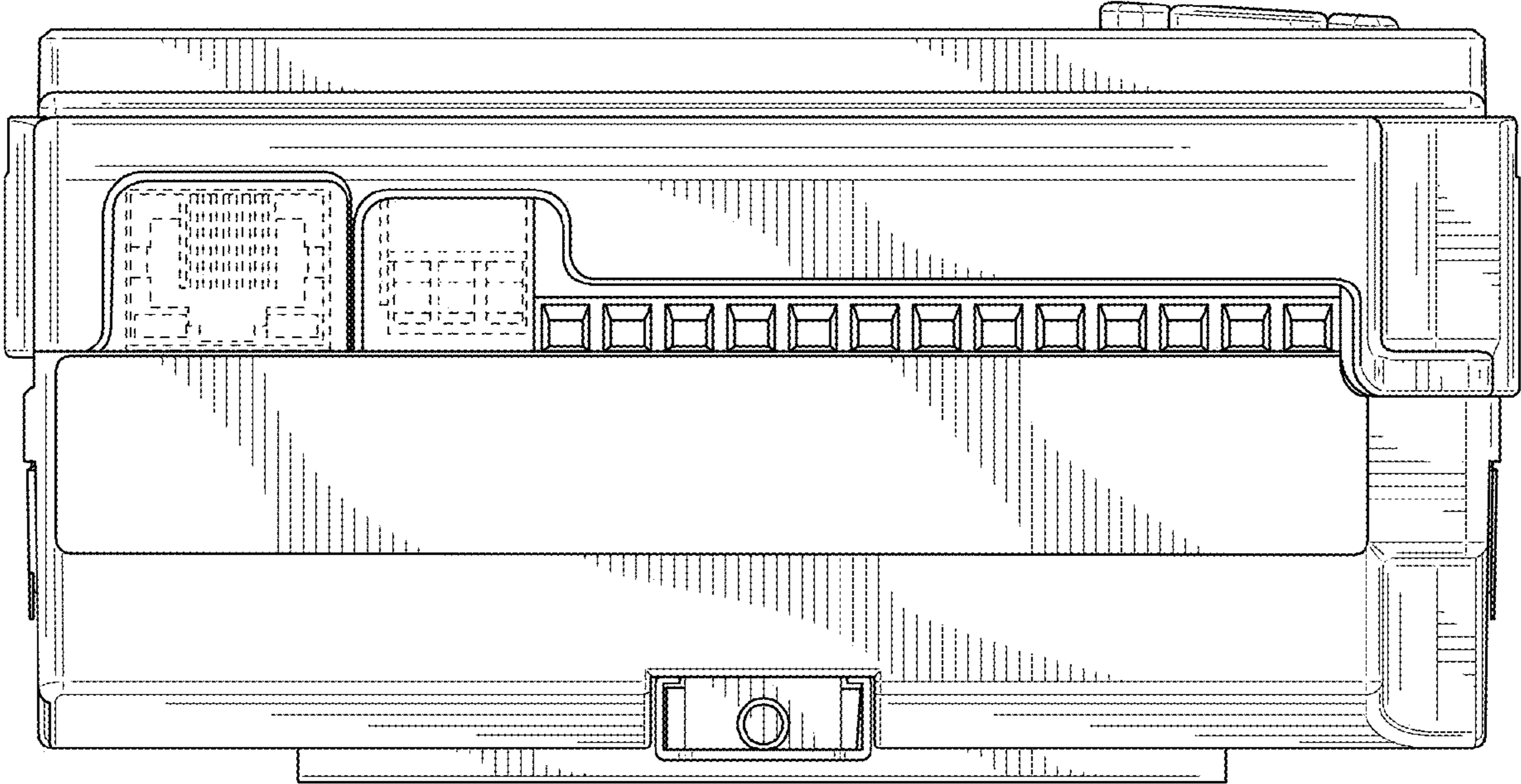


FIG. 5

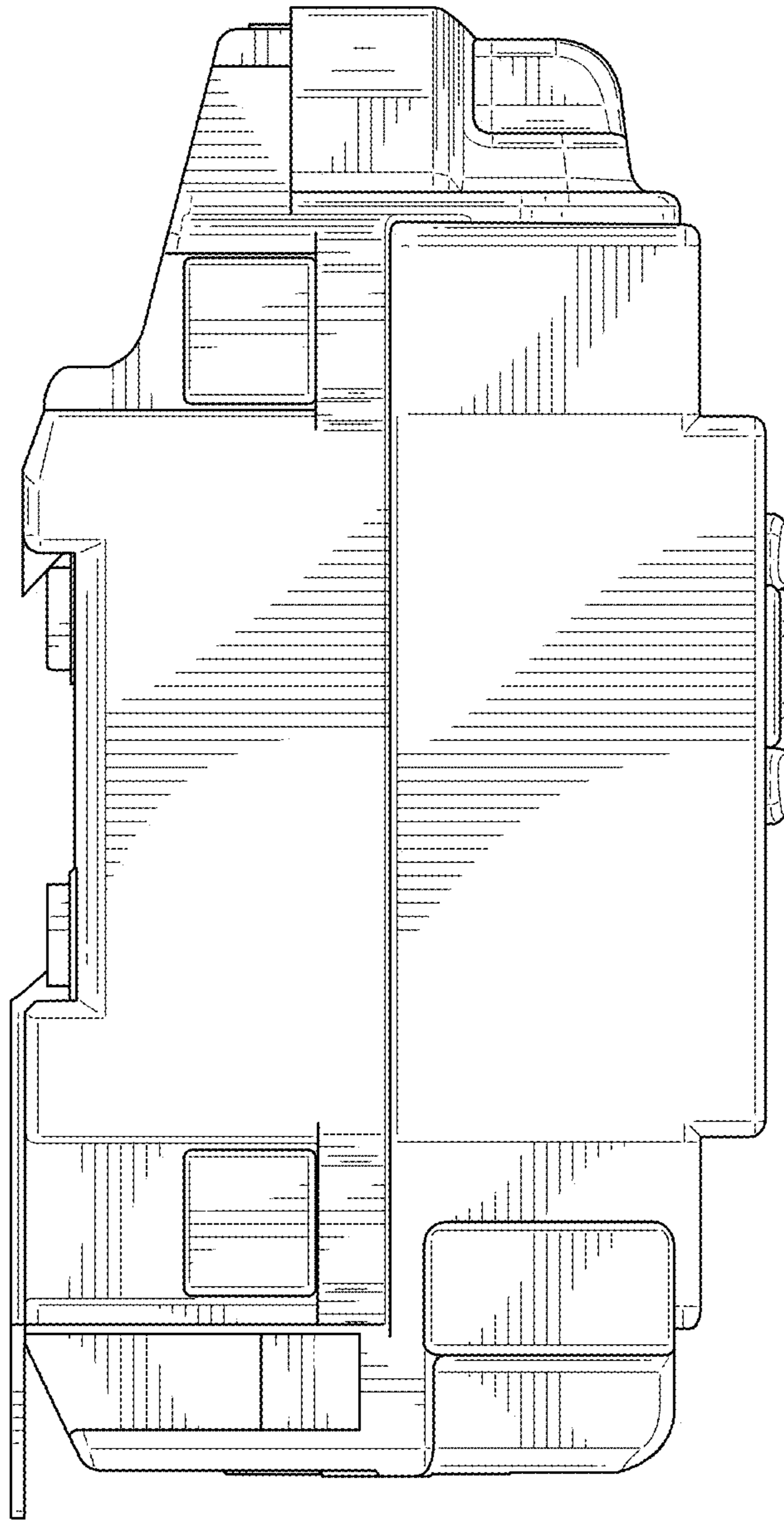


FIG. 6

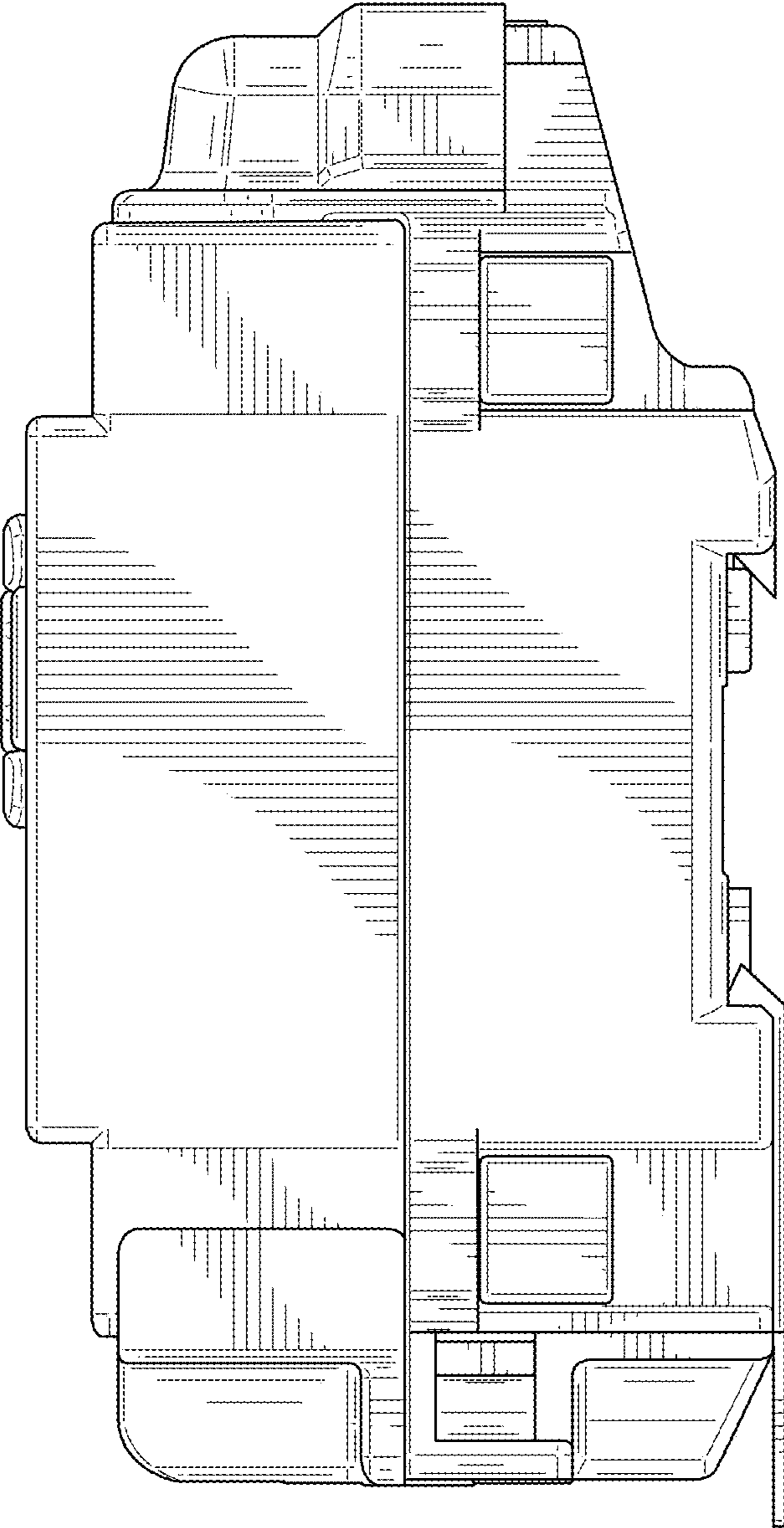


FIG. 7