



US00D939987S

(12) **United States Design Patent**  
**Heggland**

(10) **Patent No.:** **US D939,987 S**

(45) **Date of Patent:** **\*\* Jan. 4, 2022**

(54) **BICYCLE COMPUTER**

(71) Applicant: **Trek Bicycle Corporation**, Waterloo, WI (US)

(72) Inventor: **Kurt Heggland**, Sun Prairie, WI (US)

(73) Assignee: **Trek Bicycle Corporation**, Waterloo, WI (US)

(\*\*) Term: **15 Years**

(21) Appl. No.: **29/705,419**

(22) Filed: **Sep. 11, 2019**

**Related U.S. Application Data**

(63) Continuation of application No. 29/647,554, filed on May 14, 2018, now abandoned.

(51) **LOC (13) Cl.** ..... **10-04**

(52) **U.S. Cl.**  
USPC ..... **D10/98**

(58) **Field of Classification Search**

USPC ..... D10/98; D14/341, 36  
CPC . A63B 24/00; A63B 2225/50; A63B 24/0006;  
A63B 24/0062; A63B 69/16; A63B  
2024/0009; A63B 2024/0068; A63B  
2024/0012; A63B 2230/06; A63B  
71/0669; A63B 2220/17; A63B 2220/20;  
A63B 2220/30; A63B 2220/833; A63B  
2225/20; A63B 2230/04; A63B 2230/202;  
A63B 2230/207; A63B 2230/30; A63B  
2230/50; B62J 99/00; B62J 2099/0026;  
B62J 2099/002; B62J 2099/0013; B62J  
6/02; B62J 2099/0033; B62K 11/14;  
B62K 21/12; B62K 21/16; B62K  
2207/00; B62L 1/12; B62L 3/00; G01P

3/50; G01P 3/481; G01P 3/487; G01P  
3/488; G01P 3/4953; G01P 21/02; G01P  
11/00; G01C 22/002; G01C 22/00; G06F  
3/0488; G01D 1/026; F16M 13/022;  
F16M 11/041; F16M 11/06

See application file for complete search history.

(56) **References Cited**

**U.S. PATENT DOCUMENTS**

D637,508 S *	5/2011	Ueda .....	D10/98
D727,768 S *	4/2015	Nagano .....	D10/98
D759,522 S *	6/2016	Ueda .....	D10/98
D777,591 S *	1/2017	Haapakoski .....	D10/98
D779,351 S *	2/2017	Kawakami .....	D10/98
D809,502 S *	2/2018	Henne .....	D14/341

\* cited by examiner

*Primary Examiner* — Antoine Duval Davis

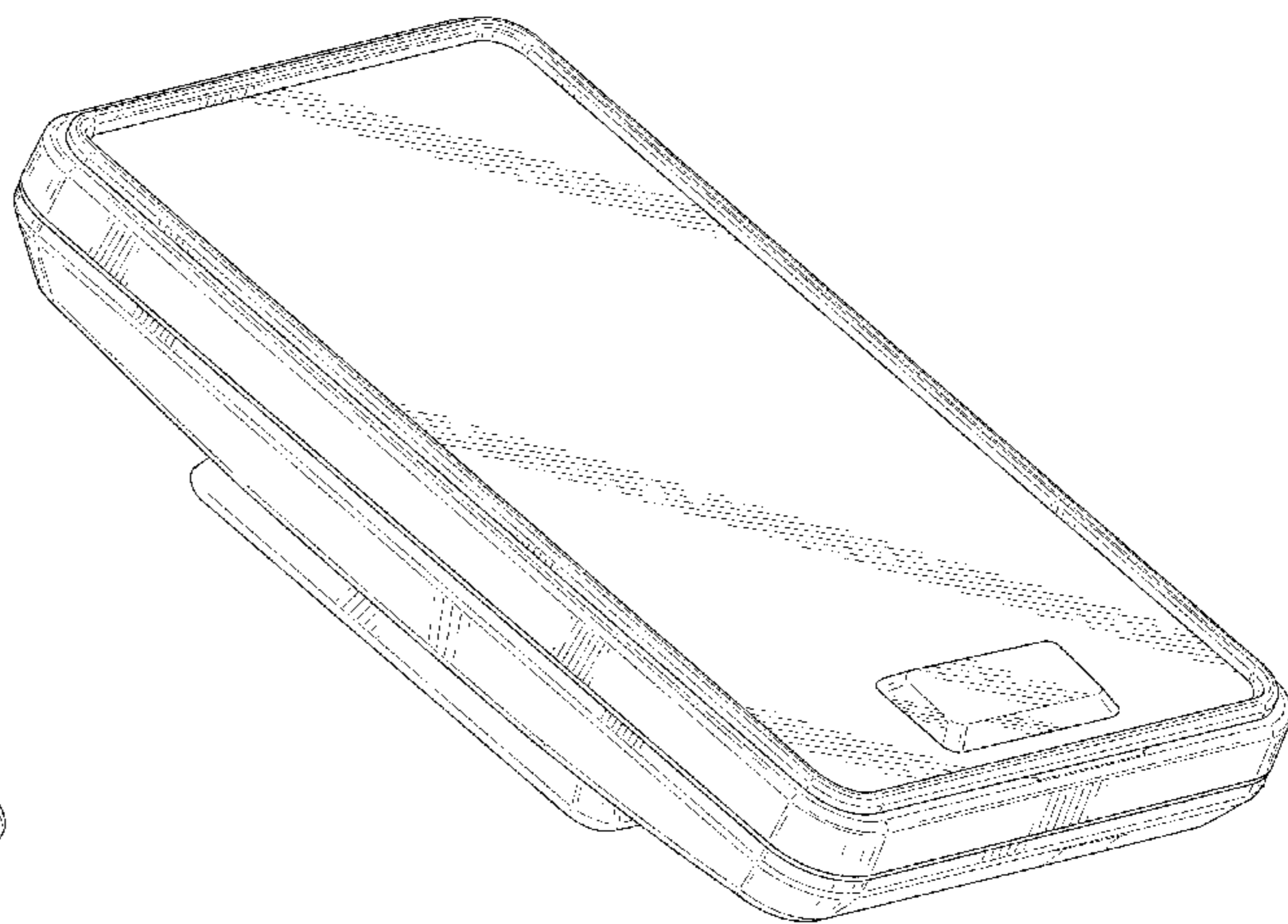
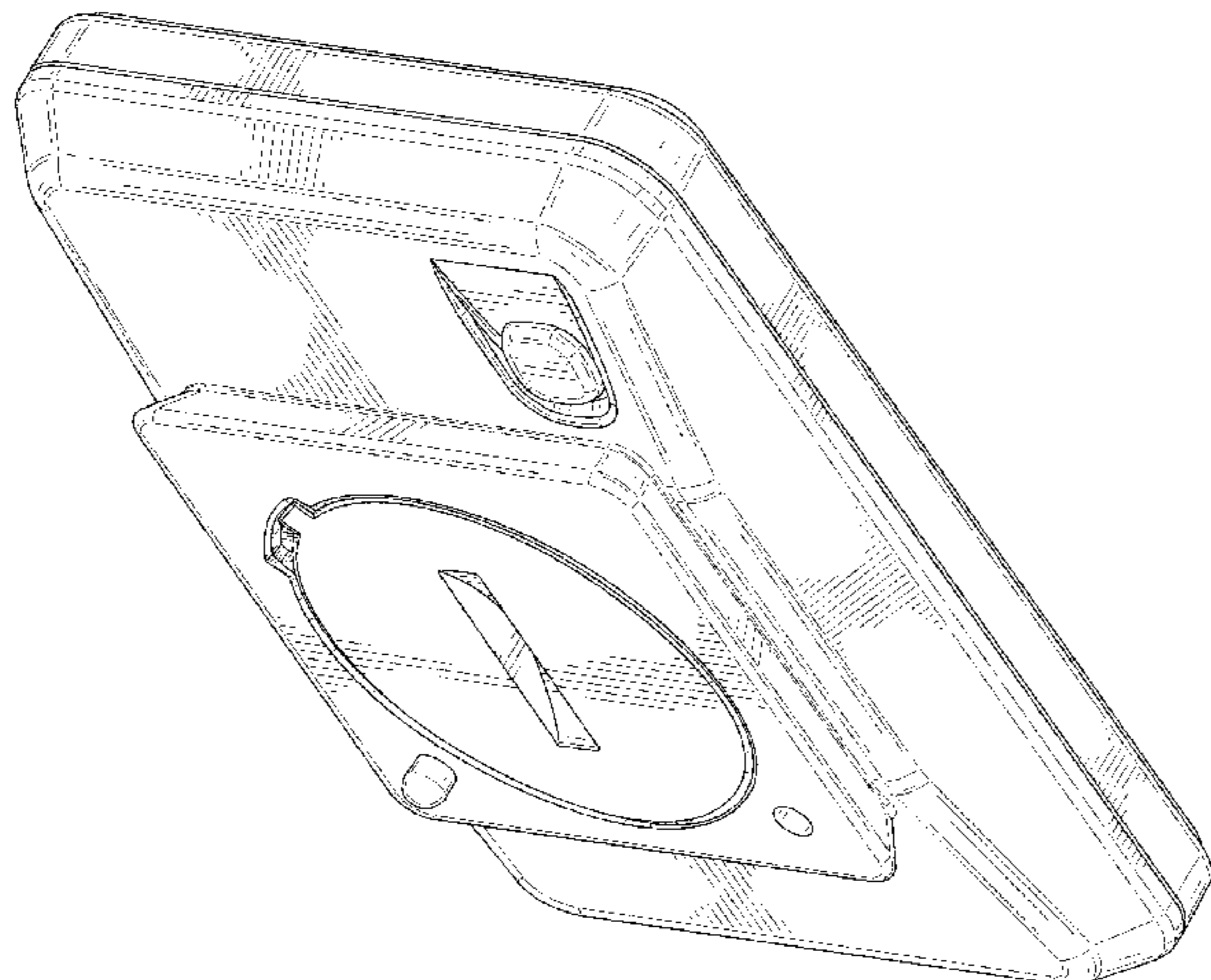
(57) **CLAIM**

The ornamental design for a bicycle computer, as shown and described.

**DESCRIPTION**

FIG. 1 is a front view of a bicycle computer showing my new design;  
FIG. 2 is a back view thereof;  
FIG. 3 is a left view thereof;  
FIG. 4 is a right view thereof;  
FIG. 5 is a top view thereof;  
FIG. 6 is a bottom view thereof;  
FIG. 7 is a right, front, top perspective view thereof;  
FIG. 8 is a right, rear, top perspective view thereof;  
FIG. 9 is a left, front, bottom perspective view thereof; and,  
FIG. 10 is a right, front, bottom perspective view thereof.

**1 Claim, 8 Drawing Sheets**



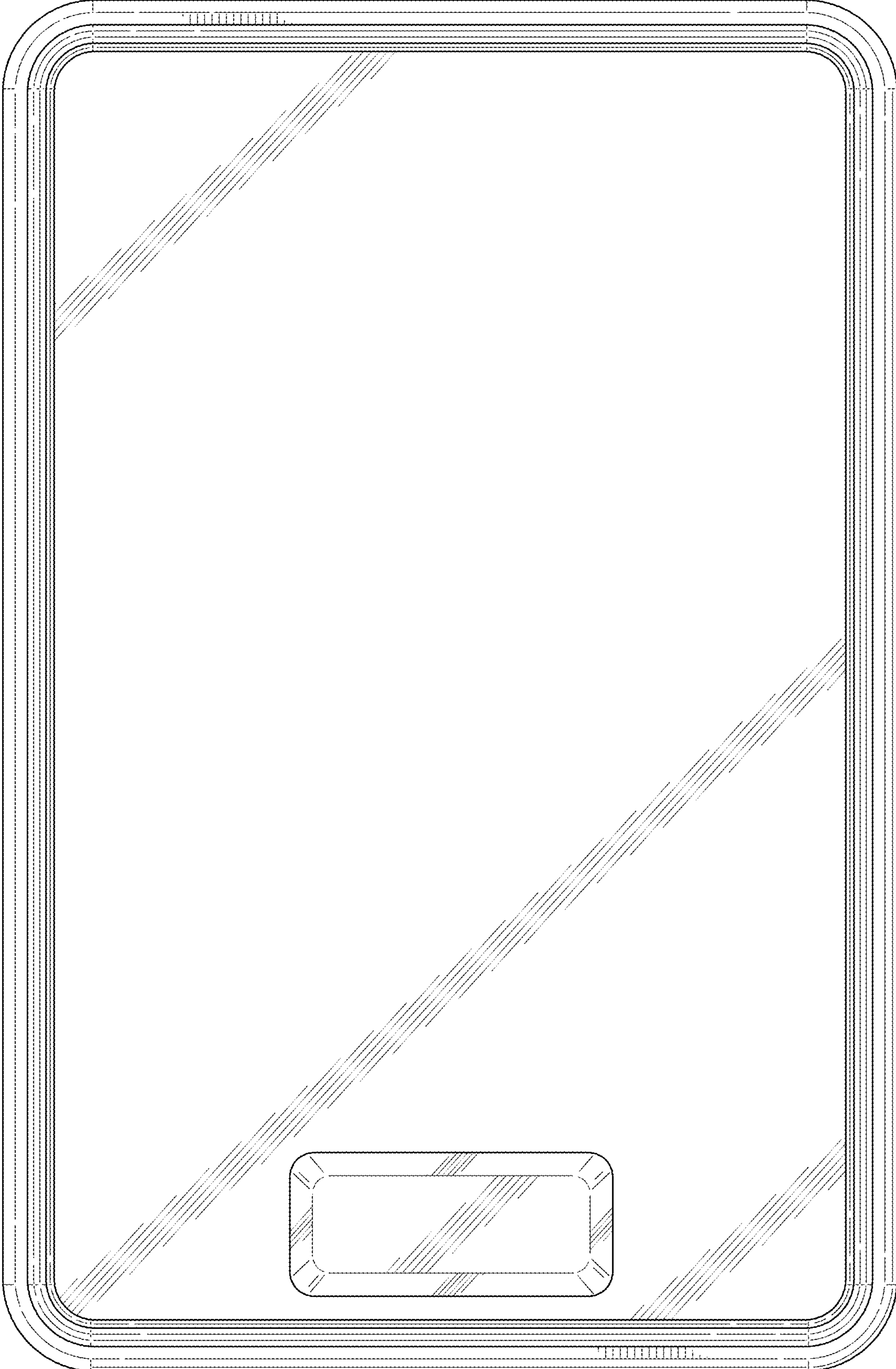


FIG. 1

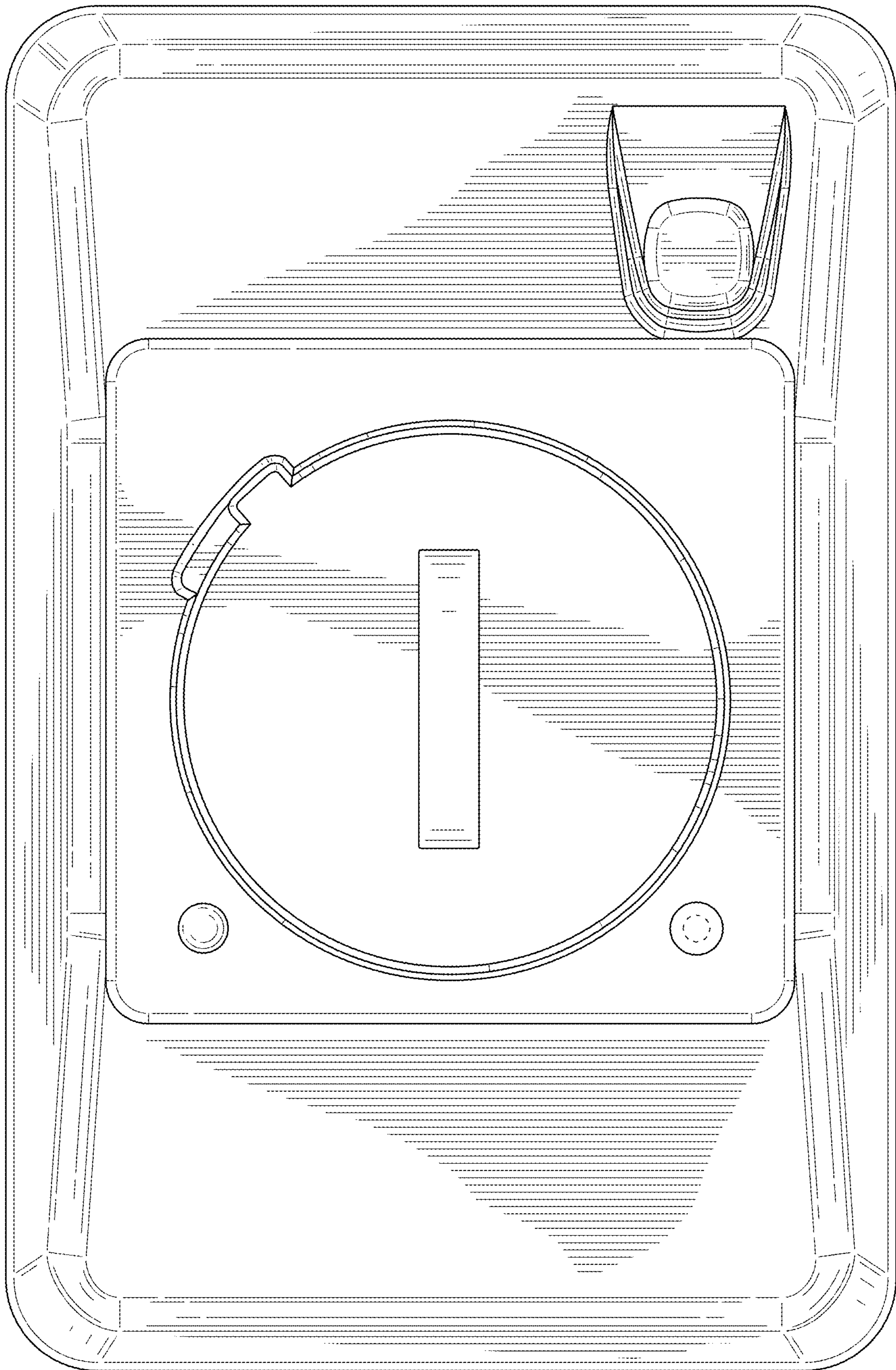


FIG. 2

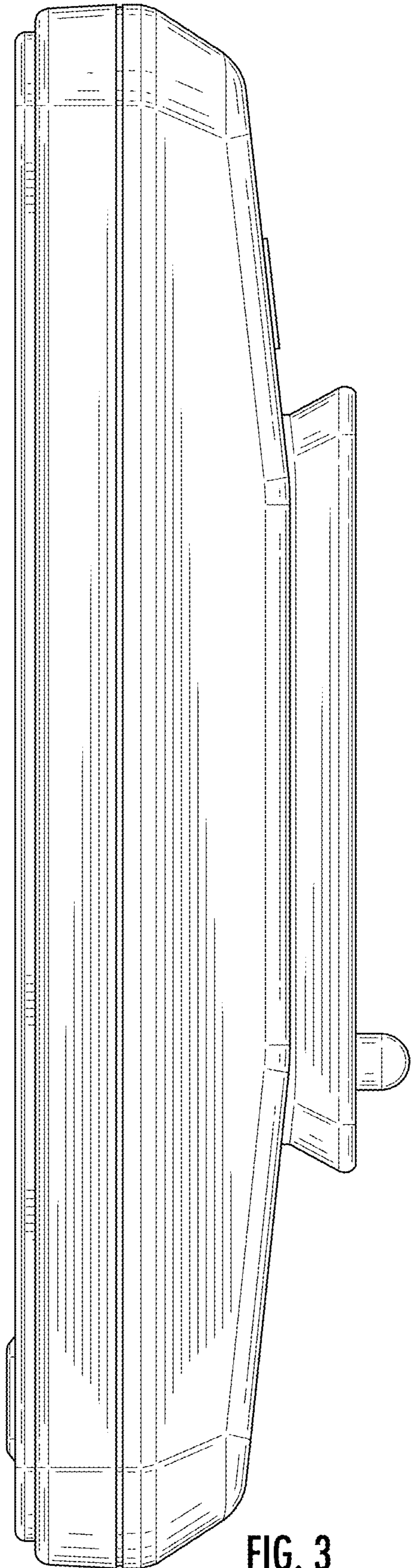


FIG. 3

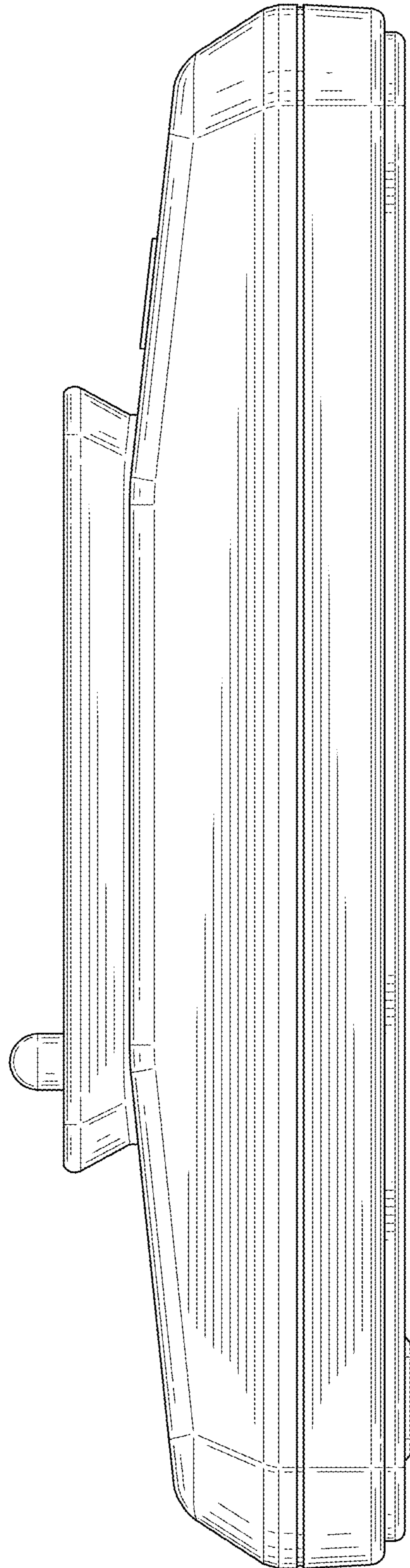


FIG. 4

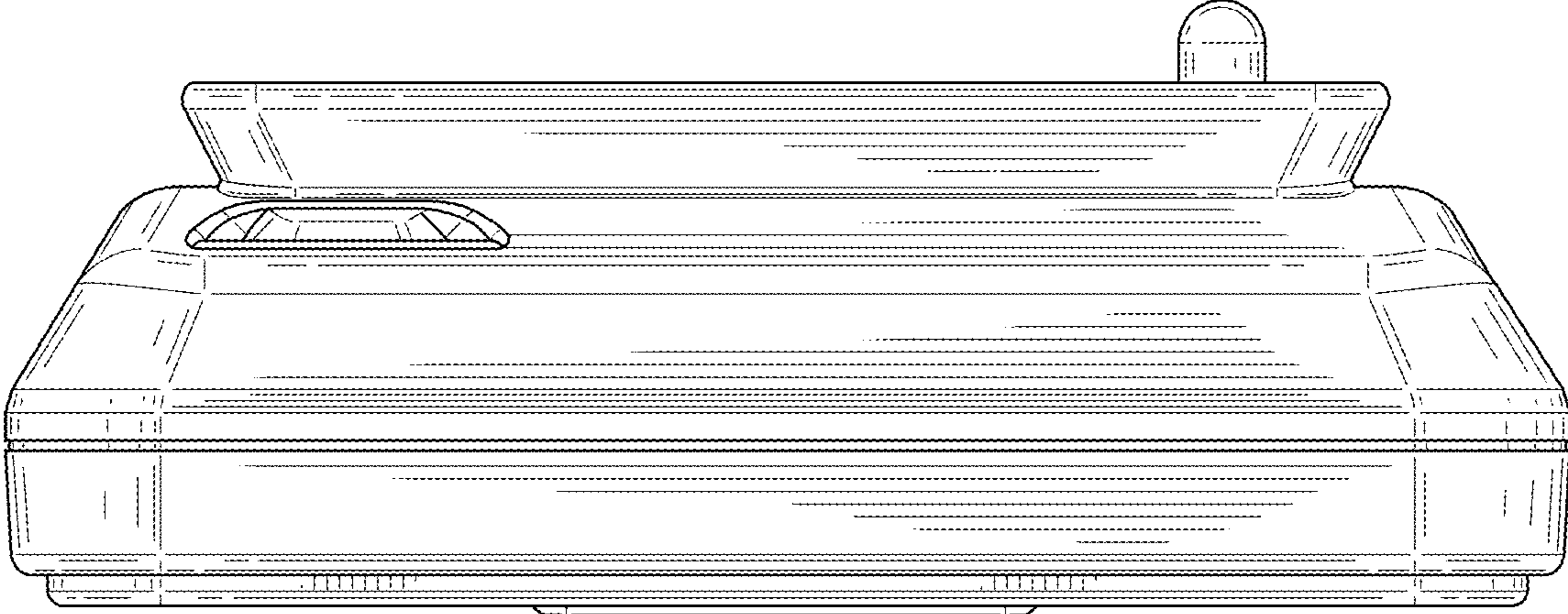


FIG. 5

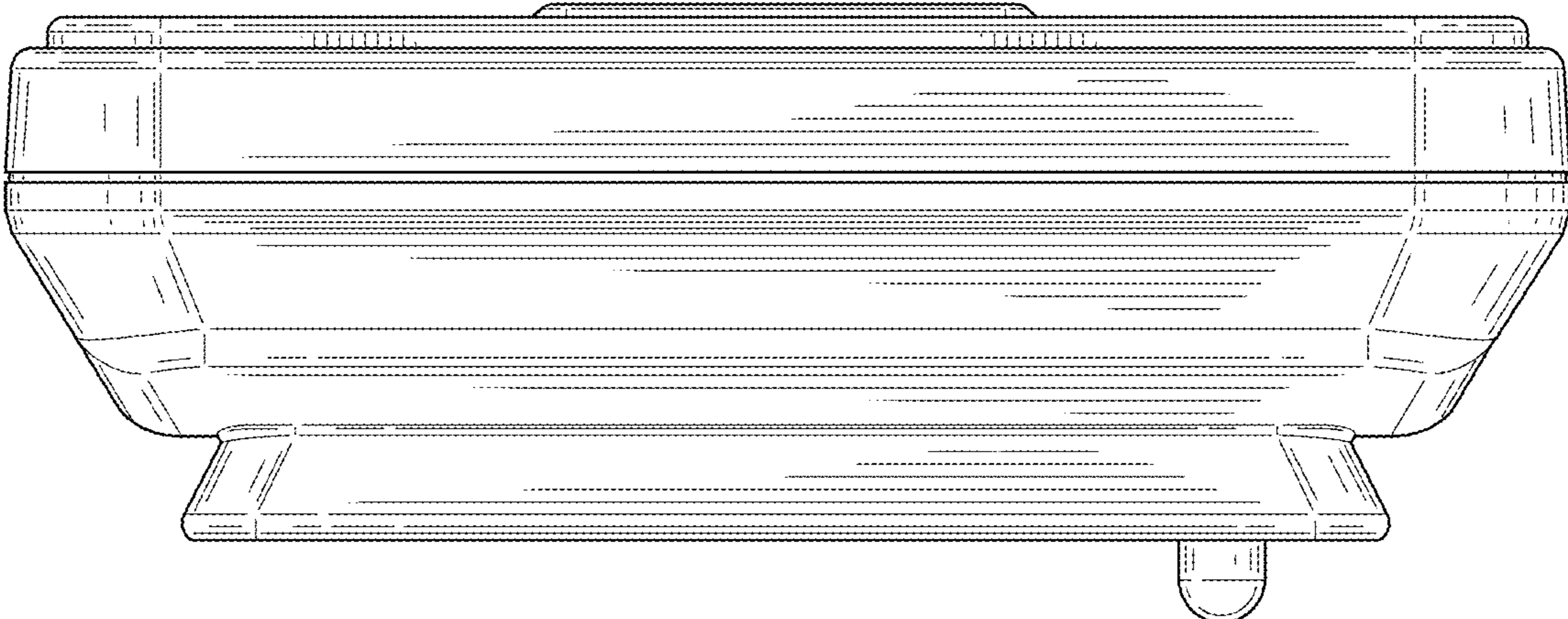


FIG. 6

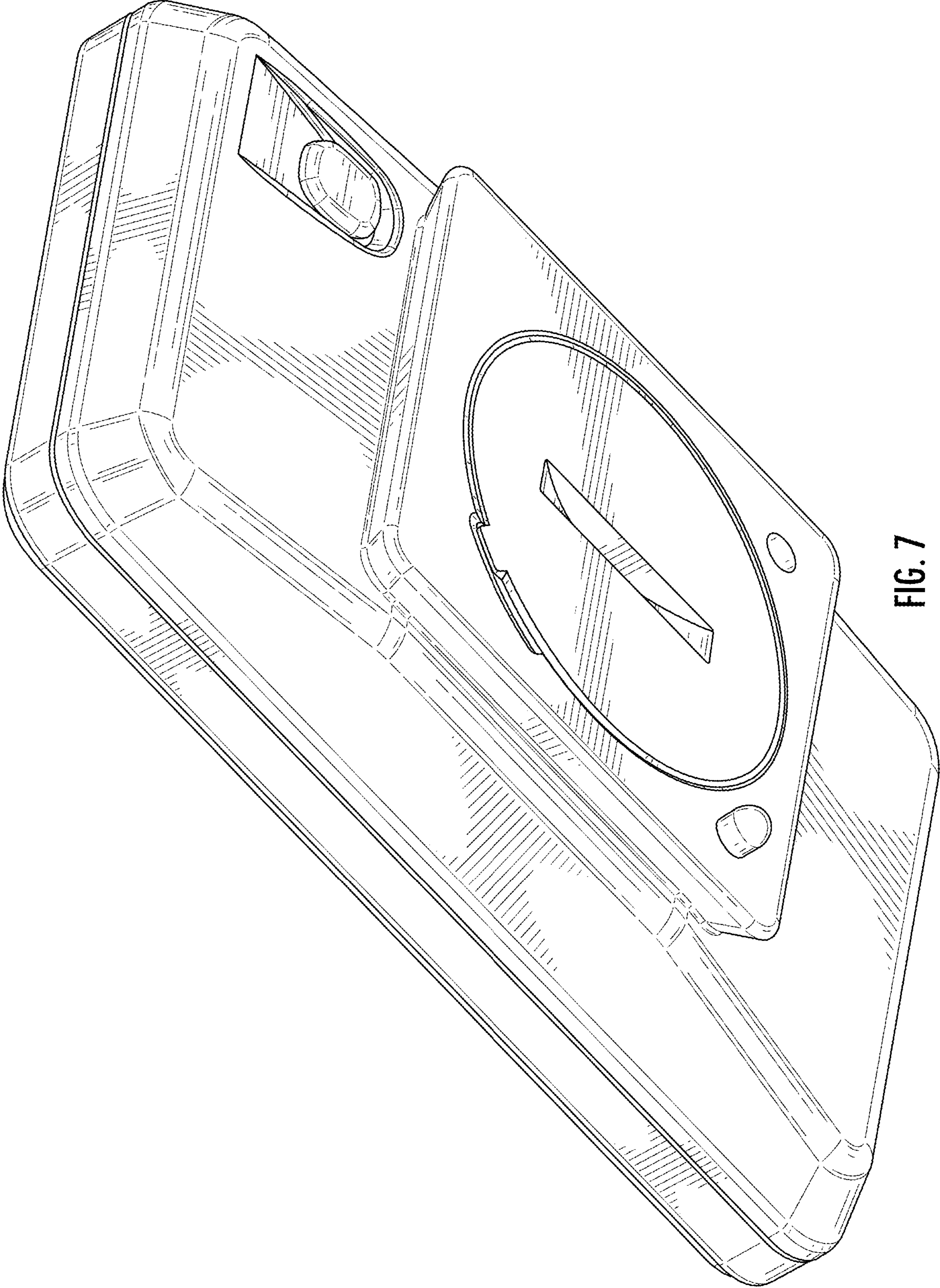


FIG. 7

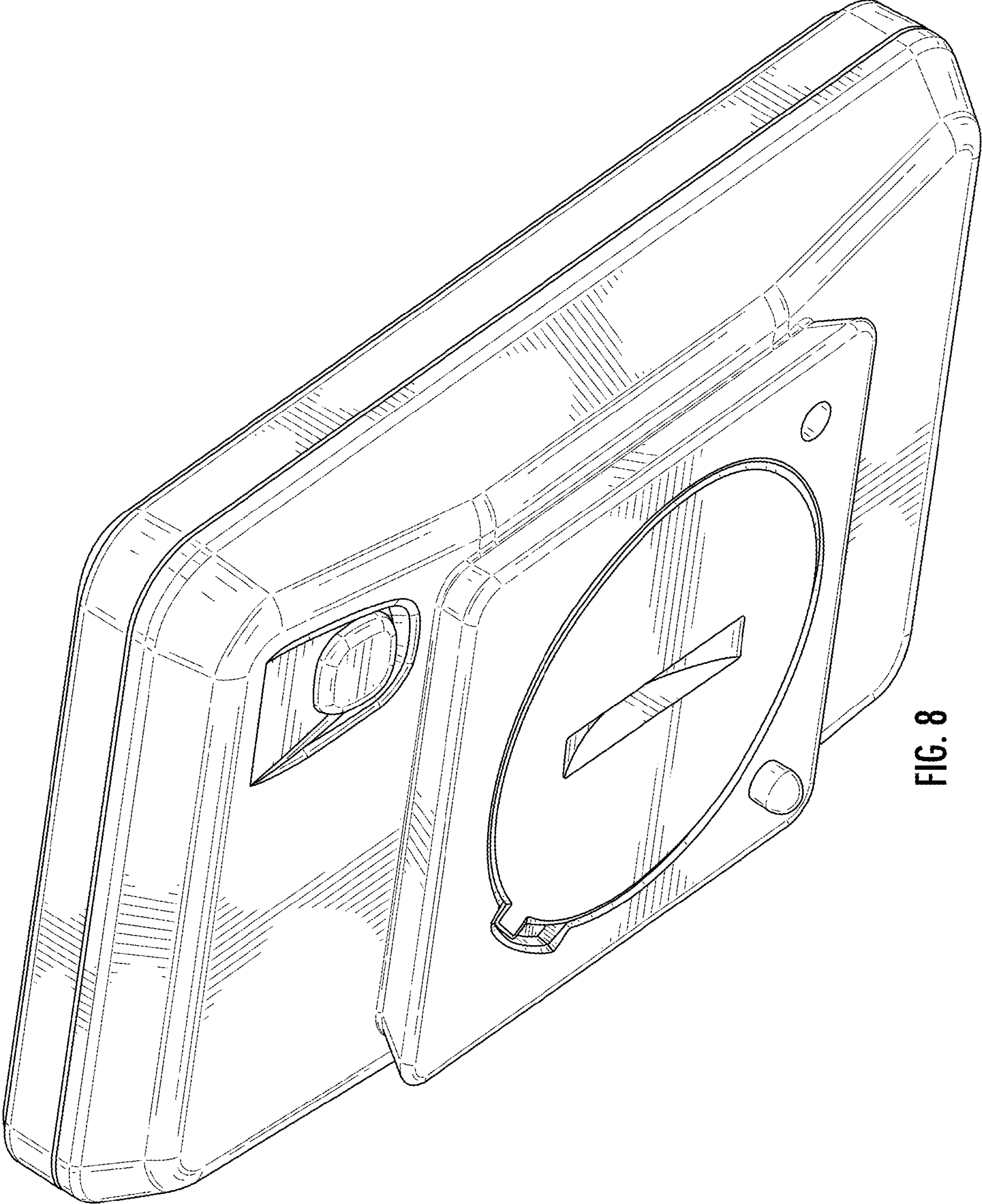


FIG. 8

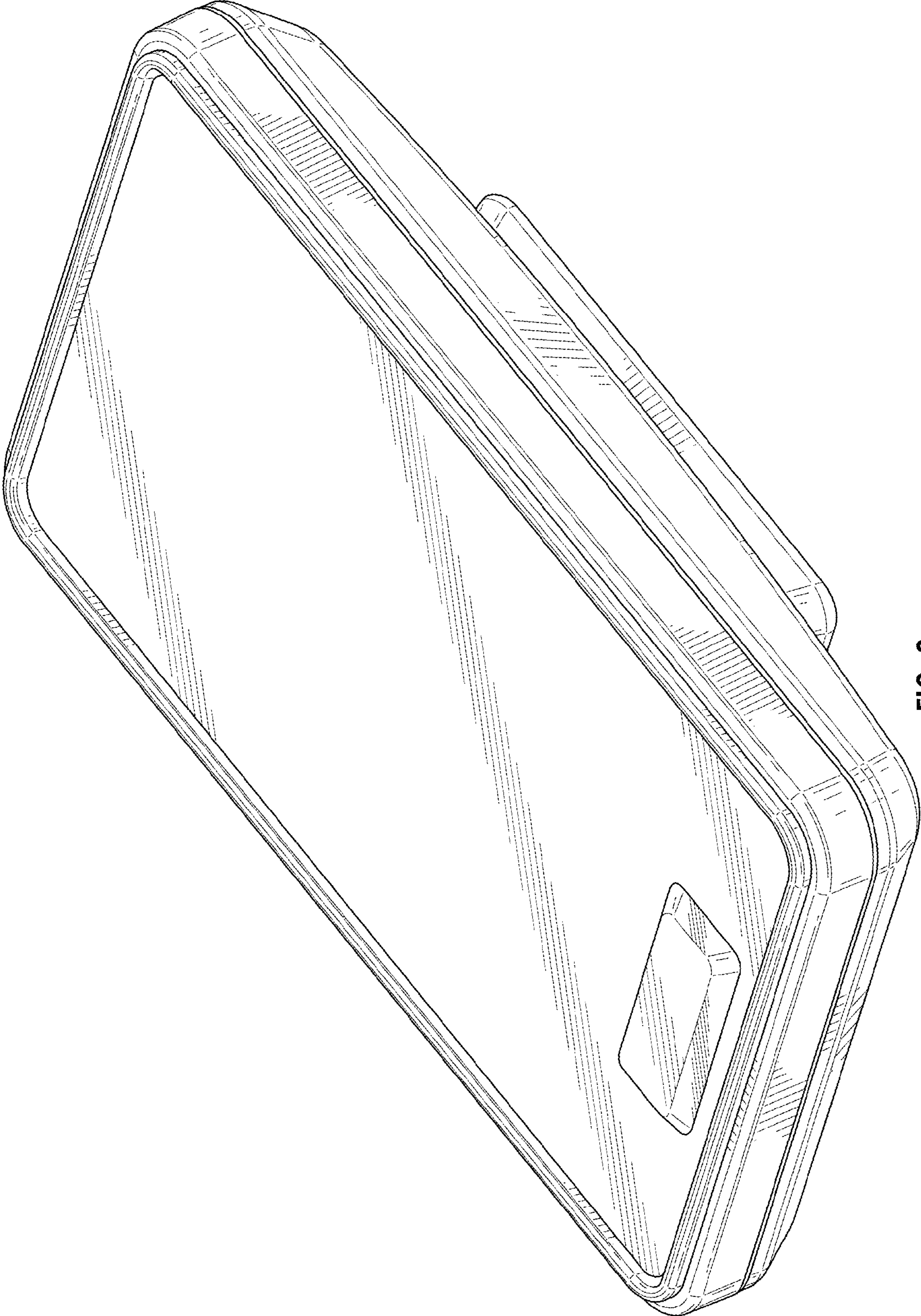


FIG. 9



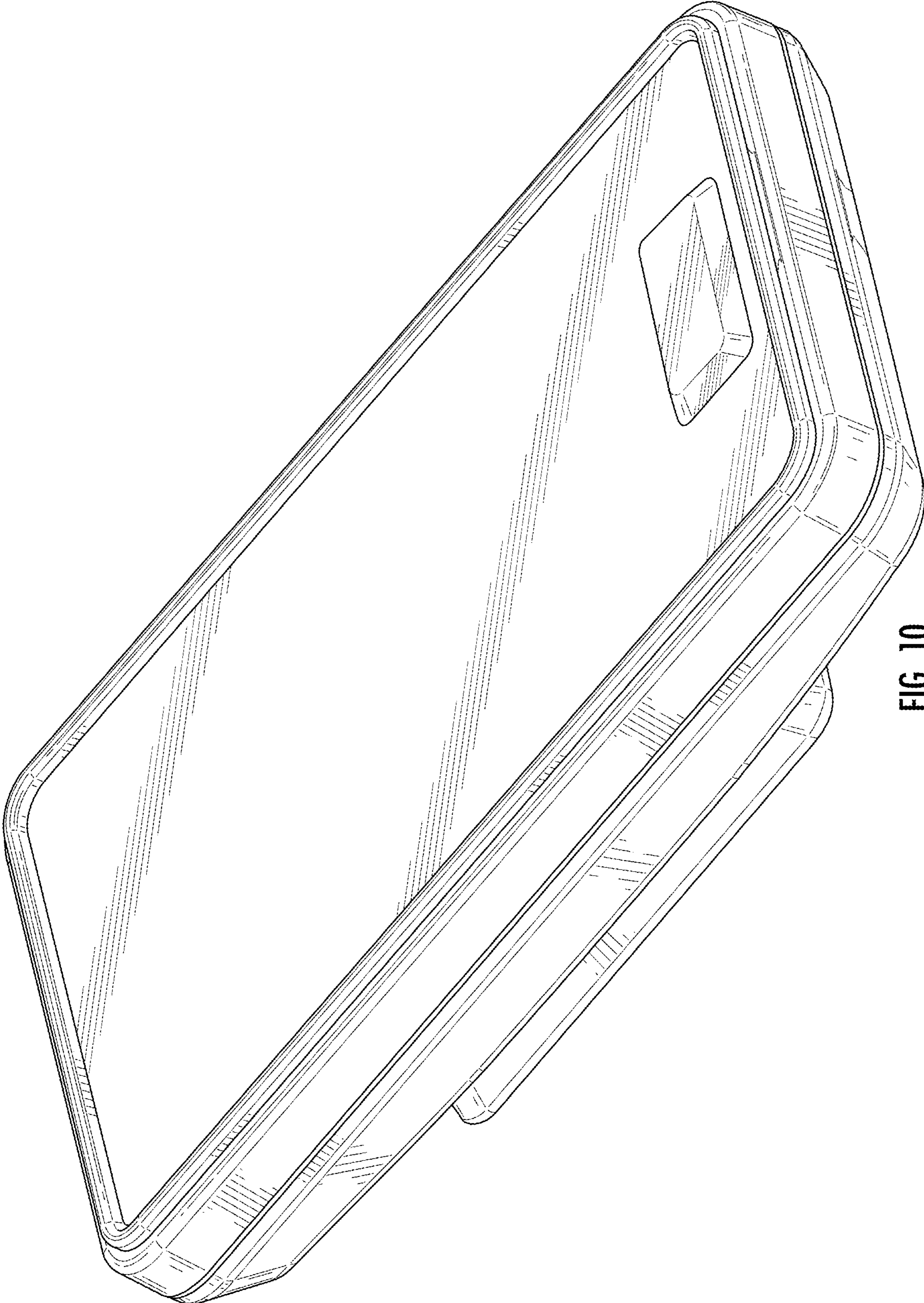


FIG. 10