



US00D939986S

(12) **United States Design Patent**  
**Srihari et al.**

(10) **Patent No.:** **US D939,986 S**  
(45) **Date of Patent:** **\*\* Jan. 4, 2022**

(54) **COUNTER FOR A BAR ON A SEESAW**

FOREIGN PATENT DOCUMENTS

(71) Applicant: **Pure Global Brands, Inc.**, Mesquite, TX (US)

GB 2024049 \* 7/1992  
JP D1075925 \* 3/1993

(Continued)

(72) Inventors: **Swastic Srihari**, Addison, TX (US);  
**Zorin Abraham**, Sunnyvale, TX (US);  
**Kinsey Harris**, West Palm Beach, FL (US)

OTHER PUBLICATIONS

Sigma Sport, Wireless Bike Computer, Date first available Oct. 21, 2016, [online]retrieved Sep. 1, 2021, available from [https://www.amazon.com/dp/B01M6ZZNXC/ref=sspa\\_dk\\_detail\\_6?psc=1&pd\\_rd\\_i=B01M6ZZNXC&pd\\_rd\\_w=bvujG&pf\\_rd\\_p=5d846283-ed3e-4512-a744-a30f97c5d738&pd\\_rd\\_wg=BAc47&pf\\_rd\\_r=MPZWKDB6JDVKWF5QRMS7](https://www.amazon.com/dp/B01M6ZZNXC/ref=sspa_dk_detail_6?psc=1&pd_rd_i=B01M6ZZNXC&pd_rd_w=bvujG&pf_rd_p=5d846283-ed3e-4512-a744-a30f97c5d738&pd_rd_wg=BAc47&pf_rd_r=MPZWKDB6JDVKWF5QRMS7) (Year: 2016).\*

(Continued)

(73) Assignee: **Pure Global Brands, Inc.**, Mesquite, TX (US)

(\*\*) Term: **15 Years**

*Primary Examiner* — Keli L Hill

*Assistant Examiner* — Sara S Sahneh

(21) Appl. No.: **29/710,990**

(74) *Attorney, Agent, or Firm* — Scott Griggs; Griggs Bergen LLP

(22) Filed: **Oct. 28, 2019**

(51) **LOC (13) Cl.** ..... **10-04**

(52) **U.S. Cl.**

USPC ..... **D10/97**; D10/98

(58) **Field of Classification Search**

USPC ..... D10/96–103, 46, 47; D21/830, 412  
CPC . A63B 69/0026; A63B 59/14; A63B 2220/40;  
A63B 2220/62; A63B 2220/833; A63B 2220/75; A63B 2220/76; A63B 2220/51;  
A63B 60/46; A63B 53/10; G01D 11/30;  
G06K 9/00342

See application file for complete search history.

(57) **CLAIM**

The ornamental design for a counter for a bar on a seesaw, as shown and described.

**DESCRIPTION**

FIG. 1 is a front perspective view of a counter for a bar on a seesaw;  
FIG. 2 is a rear perspective view of the counter for a bar on a seesaw as shown in FIG. 1;  
FIG. 3 is a front elevation view of the counter for a bar on a seesaw as shown in FIG. 1;  
FIG. 4 is a rear elevation view of the counter for a bar on a seesaw as shown in FIG. 1;  
FIG. 5 is a right-side elevation view of the counter for a bar on a seesaw as shown in FIG. 1;  
FIG. 6 is a left-side elevation view of the counter for a bar on a seesaw as shown in FIG. 1; and,  
FIG. 7 is a top plan view of the counter for a bar on a seesaw as shown in FIG. 1.

The dashed and dotted lines shown are included for the purpose of illustrating portions of the counter for a bar on a seesaw that form no part of the claim.

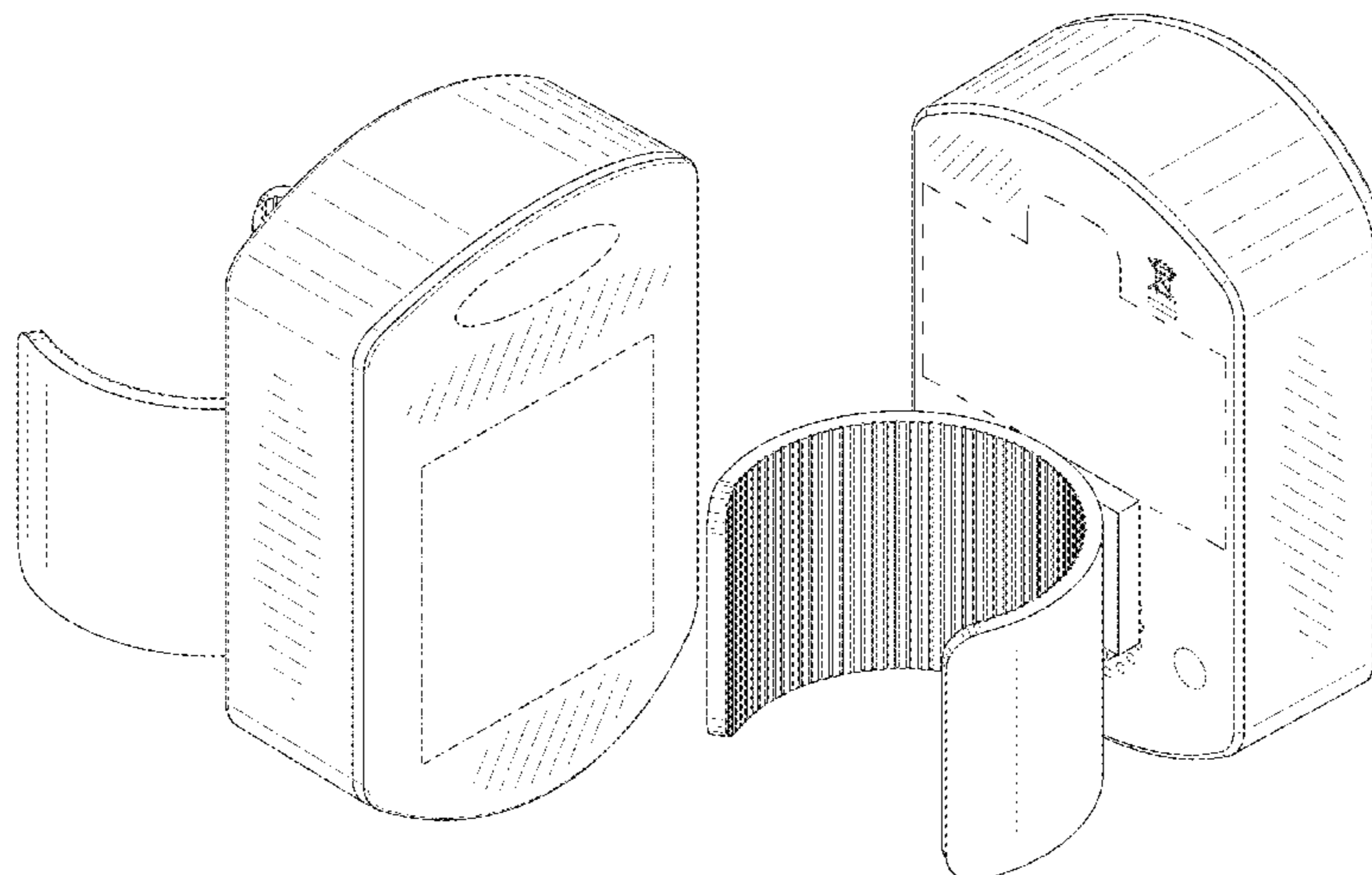
(56) **References Cited**

U.S. PATENT DOCUMENTS

4,371,945 A 2/1983 Karr et al.  
5,485,402 A 1/1996 Smith et al.  
5,615,132 A 3/1997 Horton et al.  
5,724,265 A 3/1998 Hutchings  
5,951,406 A \* 9/1999 Steane ..... A63G 11/00  
472/111  
6,145,389 A 11/2000 Ebeling et al.

(Continued)

**1 Claim, 7 Drawing Sheets**



(56)

References Cited

U.S. PATENT DOCUMENTS

D450,006 S \* 11/2001 Nagano ..... D10/98  
 D588,949 S \* 3/2009 Ueda ..... D10/98  
 D623,545 S \* 9/2010 Tullney ..... D10/96  
 D645,371 S \* 9/2011 Ueda ..... D10/98  
 8,239,146 B2 8/2012 Vock et al.  
 D704,583 S \* 5/2014 Ueda ..... D10/98  
 D822,656 S \* 7/2018 Ritchie ..... D14/344  
 10,216,893 B2 2/2019 Hong et al.  
 10,398,358 B2 9/2019 Goel et al.  
 D866,374 S \* 11/2019 Stange ..... D10/99  
 D885,222 S \* 5/2020 Haag ..... D10/98  
 D905,581 S \* 12/2020 Wada ..... D10/98  
 2002/0040601 A1 4/2002 Fyfe et al.  
 2014/0200094 A1\* 7/2014 Parke ..... G06T 7/20  
 473/223  
 2015/0018111 A1\* 1/2015 Nadkarni ..... G09B 19/0038  
 473/223  
 2015/0057111 A1 2/2015 Tremblay-Munger et al.  
 2015/0238813 A1 8/2015 Saiki  
 2015/0251054 A1 9/2015 Schneider et al.  
 2017/0122775 A1\* 5/2017 Ishikawa ..... A63B 60/46

FOREIGN PATENT DOCUMENTS

JP D1300620 \* 8/2006  
 JP D1346243 \* 12/2007  
 JP D1471697 \* 5/2013  
 KR 300827767.0000 \* 11/2015  
 KR 301075786.0000 \* 4/2020

OTHER PUBLICATIONS

CYCPLUS Store, Speedometer and Odometer, Date first available Dec. 11, 2019, [online]retrieved Sep. 1, 2021, available from [https://www.amazon.com/CYCPLUS-Waterproof-Speedometer-Bluetooth-Compatible/dp/B082NW31K3/ref=sr\\_1\\_47?crd=2GD2YTMINSDFC&dchild=1&keywords=bicycle+speedometer+odometer&qid=163051129](https://www.amazon.com/CYCPLUS-Waterproof-Speedometer-Bluetooth-Compatible/dp/B082NW31K3/ref=sr_1_47?crd=2GD2YTMINSDFC&dchild=1&keywords=bicycle+speedometer+odometer&qid=163051129) (Year: 2019).\*

SHANREN Store, GPS Bike Computer Di-Pro, Date first available Mar. 3, 2019, [online]retrieved Sep. 1, 2021, available from [https://www.amazon.com/SHANREN-Computer-96-Hour-Bluetooth-Headlight/dp/B07PBV7BFB/ref=sr\\_1\\_88?crd=2GD2YTMINSDFC&dchild=1&keywords=bicycle+speedometer+odometer&qid=1630511424](https://www.amazon.com/SHANREN-Computer-96-Hour-Bluetooth-Headlight/dp/B07PBV7BFB/ref=sr_1_88?crd=2GD2YTMINSDFC&dchild=1&keywords=bicycle+speedometer+odometer&qid=1630511424) (Year: 2019).\*

\* cited by examiner

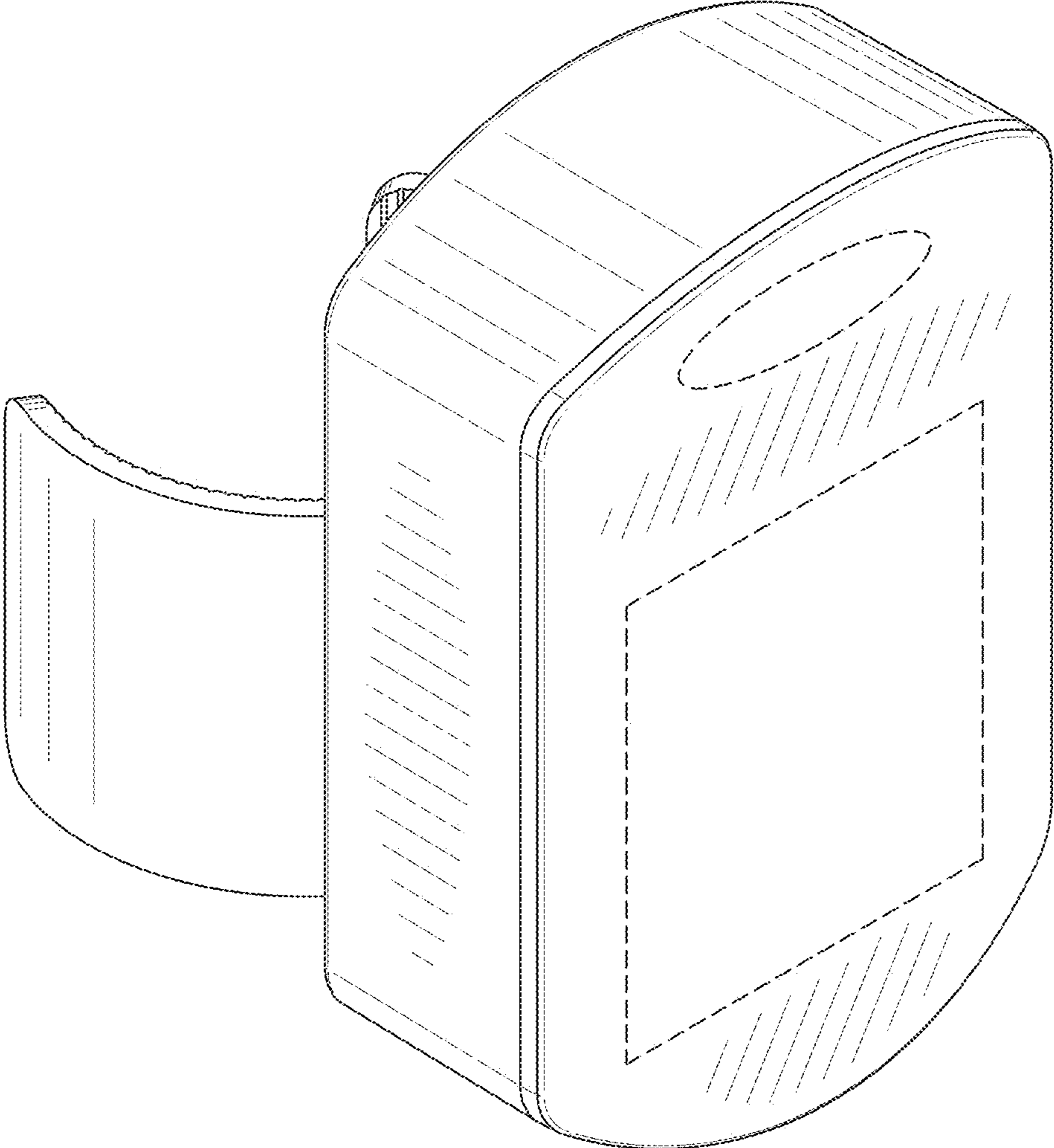


FIG. 1



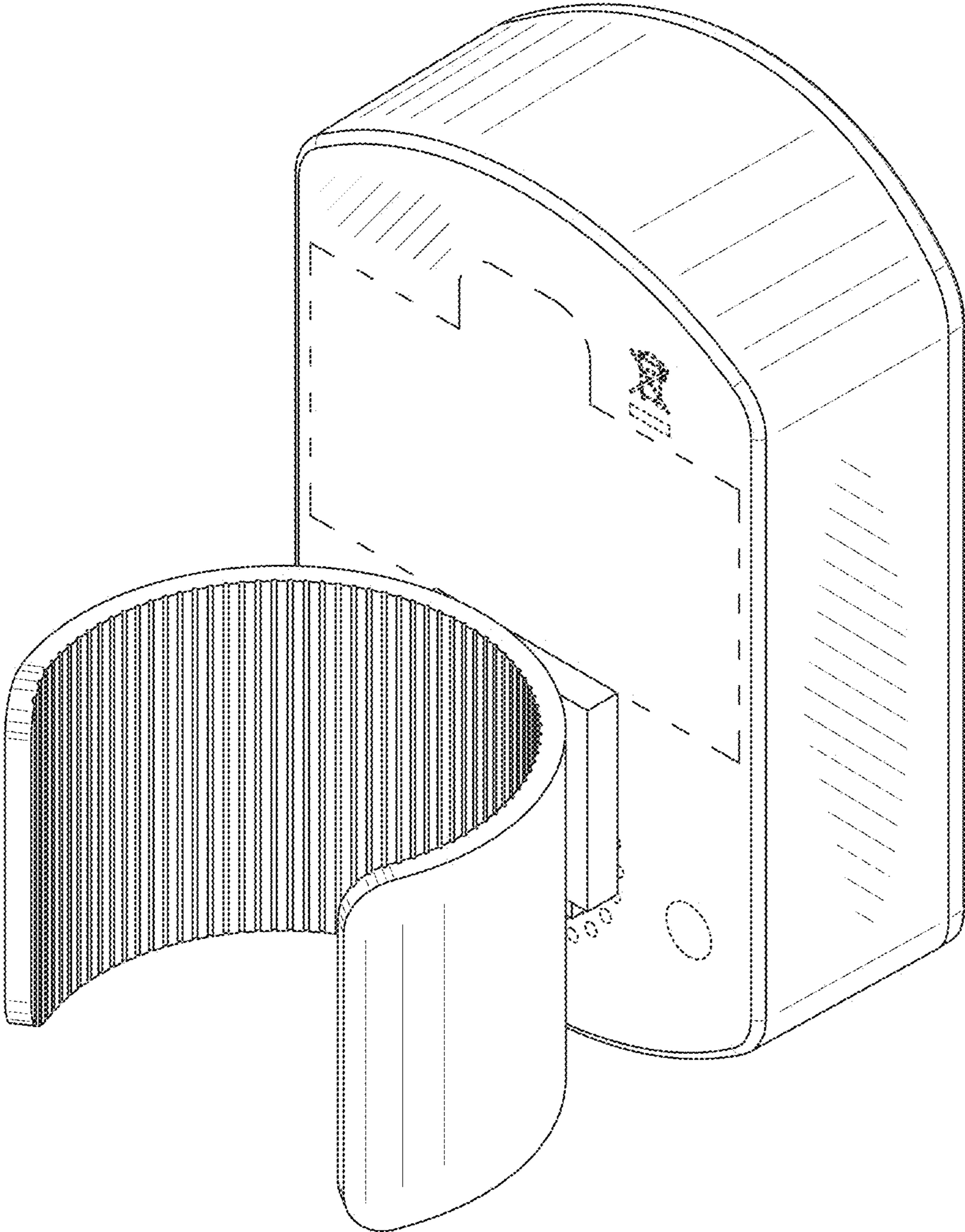


FIG. 2

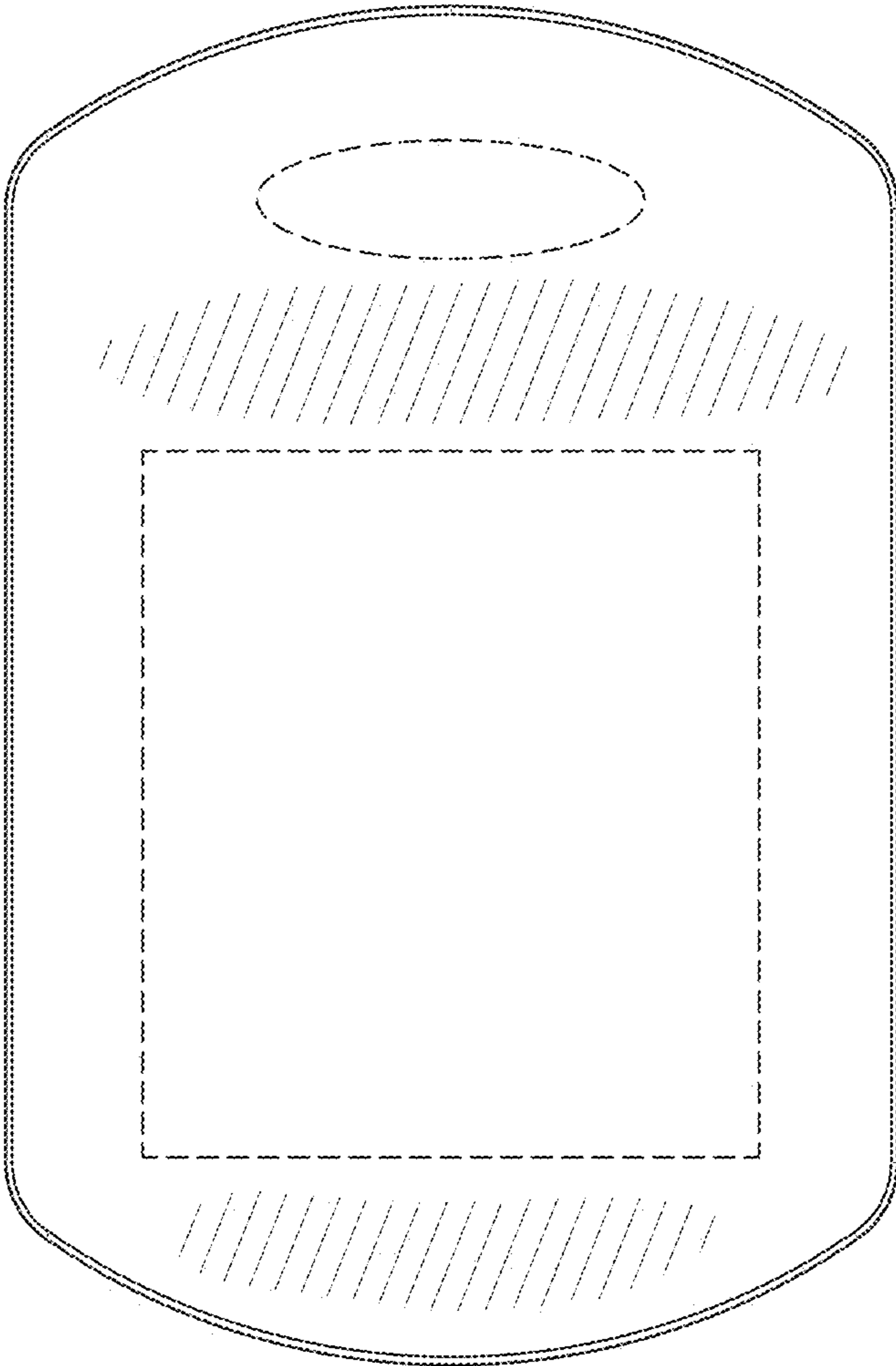


FIG. 3

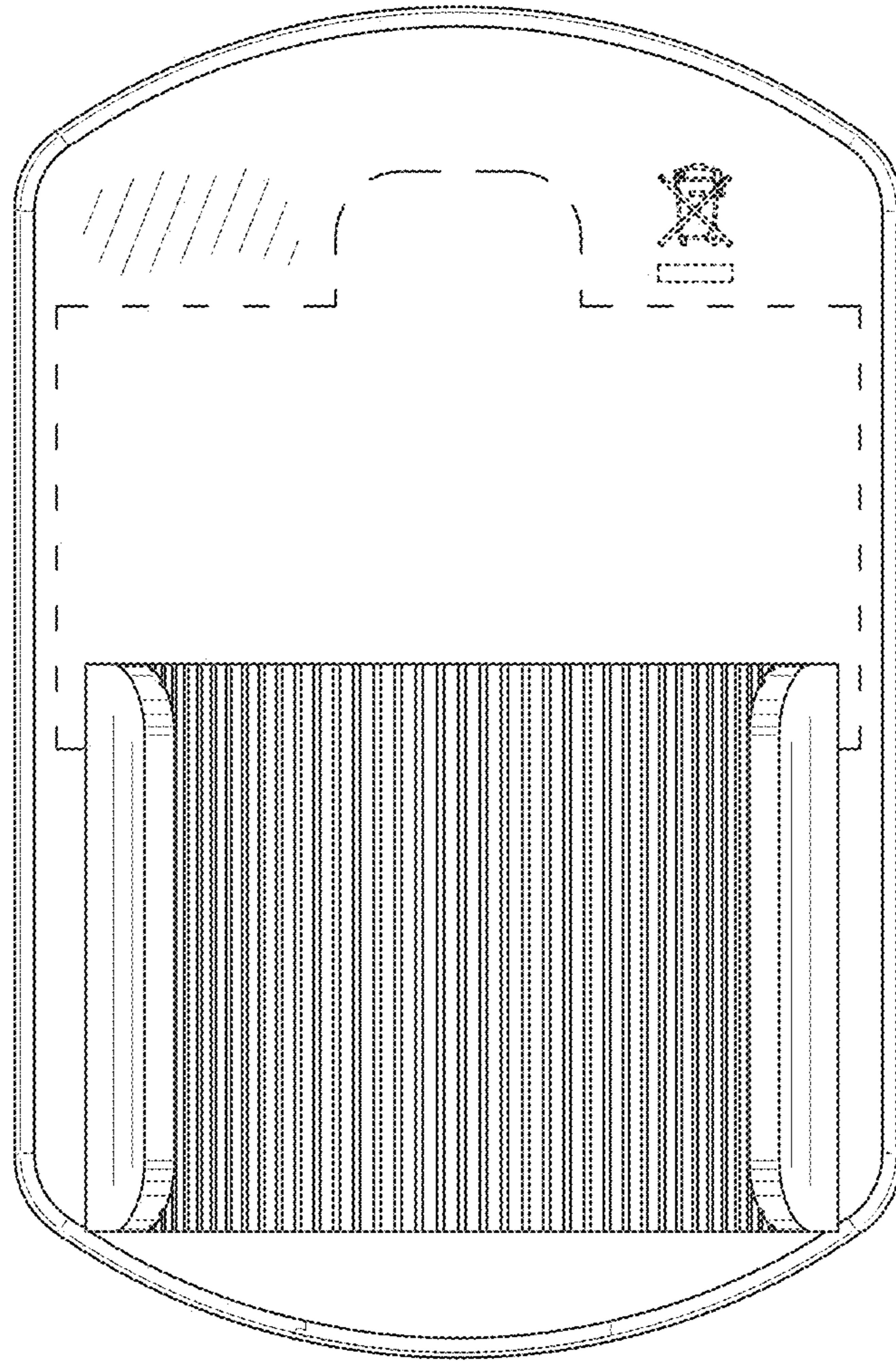


FIG. 4

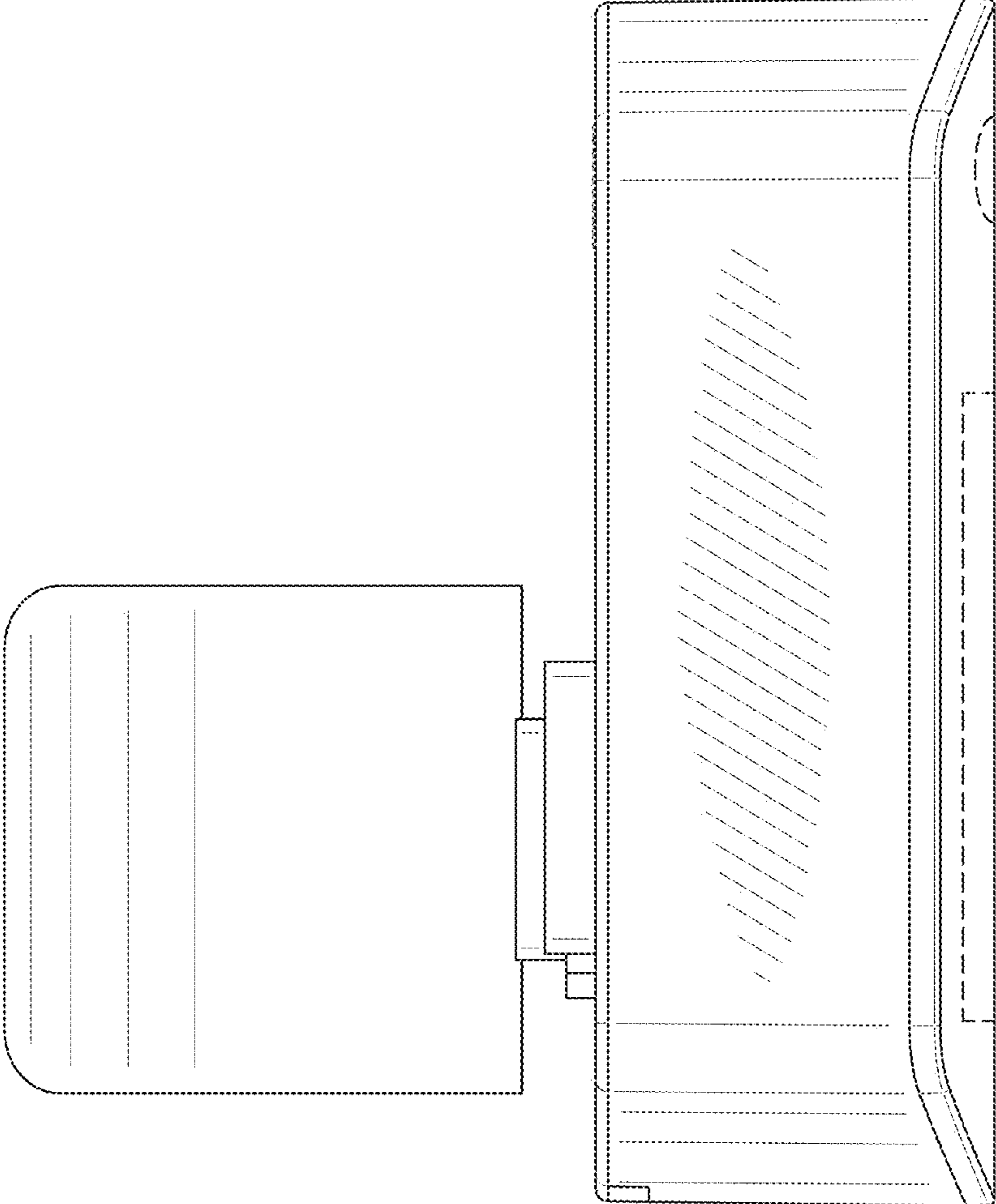


FIG. 5

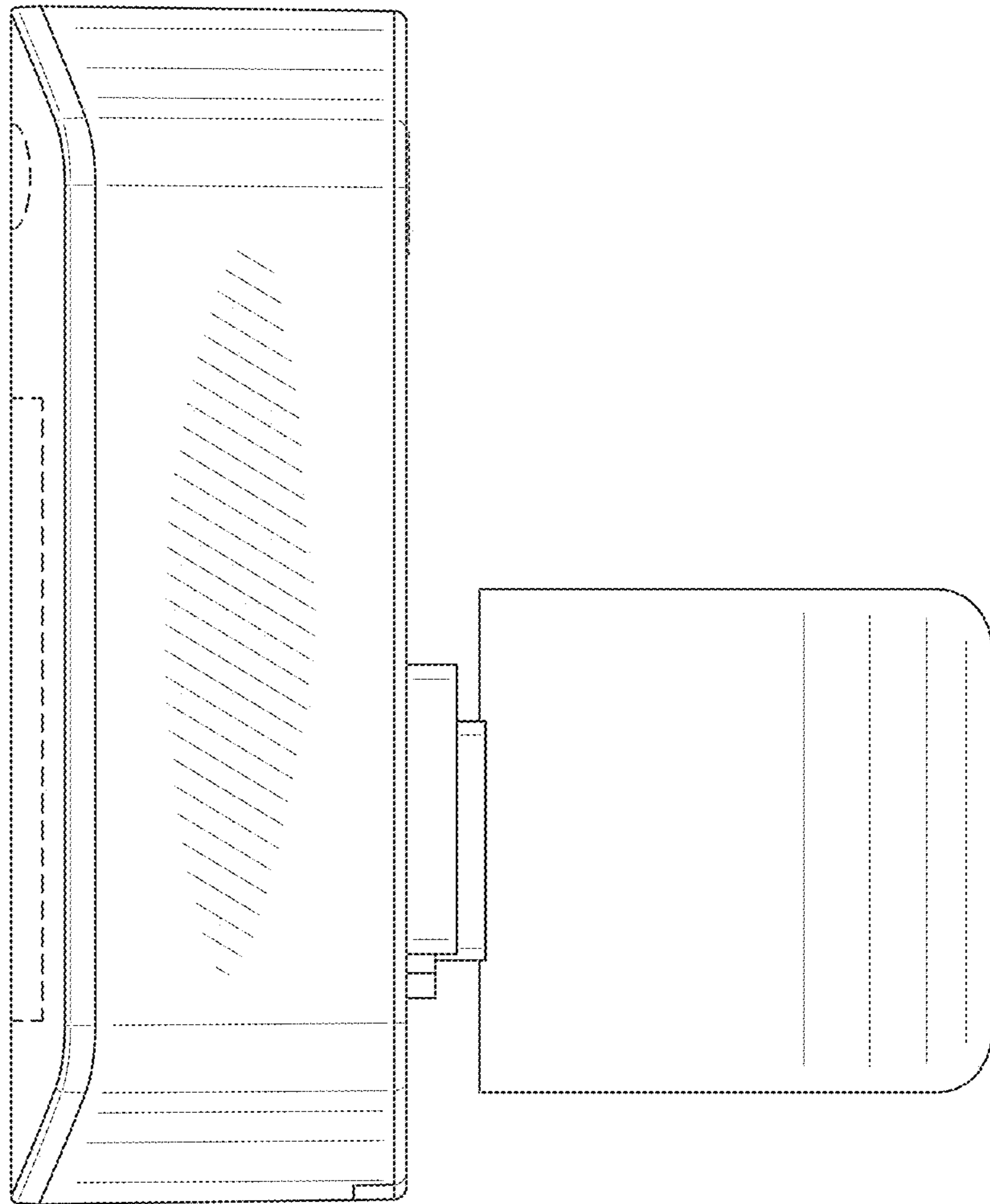


FIG. 6



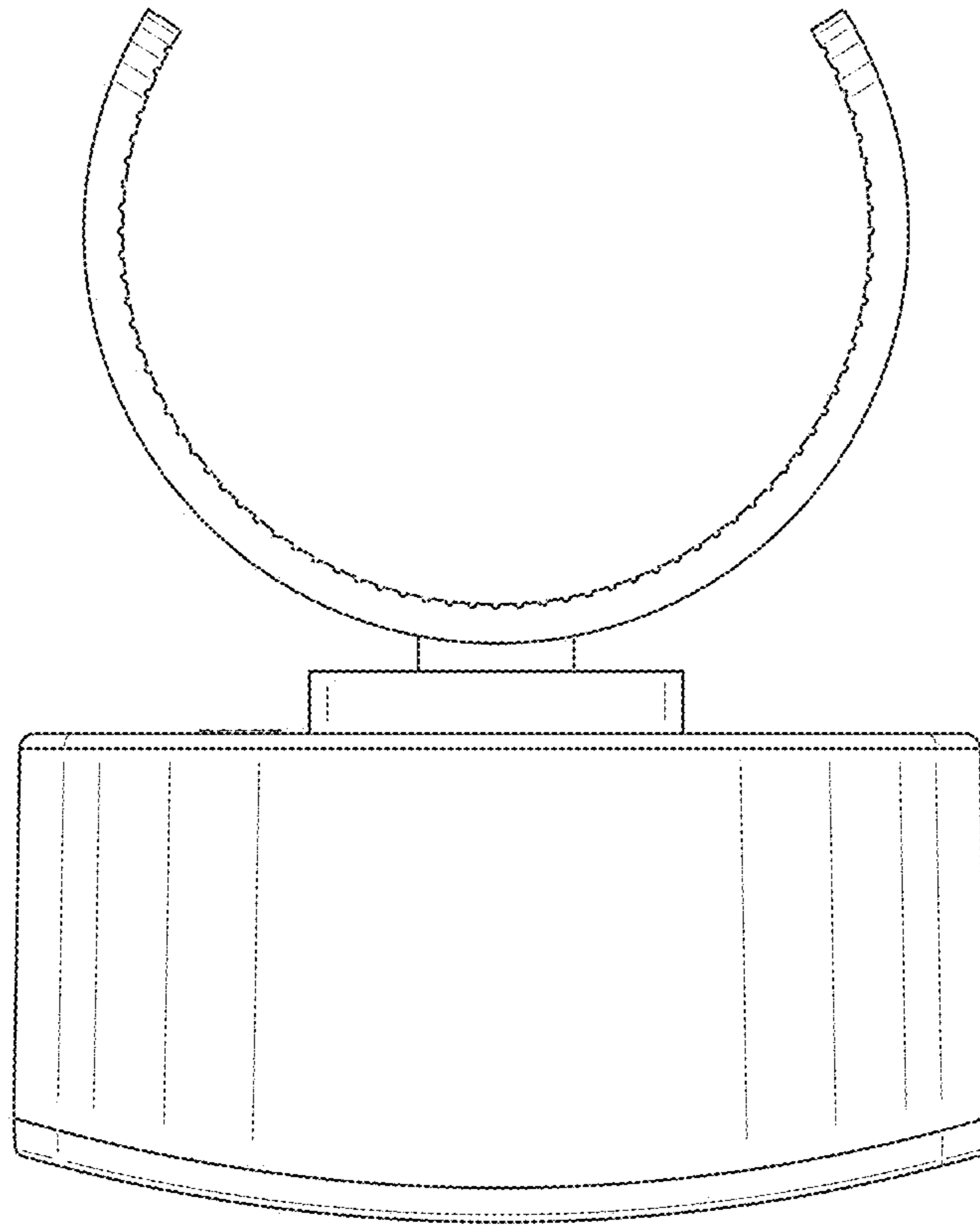


FIG. 7