



US00D939985S

(12) **United States Design Patent**  
**Kim**

(10) **Patent No.:** **US D939,985 S**  
(45) **Date of Patent:** **\*\* Jan. 4, 2022**

(54) **ELECTRONIC WEIGHING SCALE**  
(71) Applicant: **E-MOTION Co., Ltd.**, Jeonju-si (KR)  
(72) Inventor: **Hocheol Kim**, Jeonju-si (KR)  
(73) Assignee: **E-MOTION Co., Ltd**, Jeonju-si (KR)  
(\*\*) Term: **15 Years**  
(21) Appl. No.: **29/747,806**  
(22) Filed: **Aug. 25, 2020**

2,435,706 A \* 2/1948 Barker ..... B07C 5/24  
209/648  
2,750,184 A \* 6/1956 Warndahl ..... A01K 87/08  
177/127  
D180,497 S \* 6/1957 Straw ..... D10/90  
(Continued)

**FOREIGN PATENT DOCUMENTS**

CN 304548735 \* 9/2017  
CN 305551010 \* 7/2019  
(Continued)

**OTHER PUBLICATIONS**

Detecto, MCS-40P Hanging Dial Scale, Date first available Nov. 9, 2004, [online]retrieved Aug. 24, 2021,available from [https://www.amazon.com/Detecto-MCS-40P-Hanging-Scale-Capacity/dp/B001BQAI90/ref=sr\\_1\\_18?dchild=1&keywords=poultry+scale&qid=1](https://www.amazon.com/Detecto-MCS-40P-Hanging-Scale-Capacity/dp/B001BQAI90/ref=sr_1_18?dchild=1&keywords=poultry+scale&qid=1) (Year: 2004).\*

(Continued)

*Primary Examiner* — Keli L Hill  
*Assistant Examiner* — Sara S Sahneh  
(74) *Attorney, Agent, or Firm* — Novick, Kim & Lee, PLLC; Sang Ho Lee; Hyun Woo Shin

(57) **CLAIM**

I claim the ornamental design for an electronic weighing scale, as shown and described.

**DESCRIPTION**

FIG. 1 is a top perspective view of an electronic weighing scale, showing my new design;  
FIG. 2 is a front elevational view thereof;  
FIG. 3 is a rear elevational view thereof;  
FIG. 4 is a left side elevational view thereof;  
FIG. 5 is a right side elevational view thereof;  
FIG. 6 is a top plan view thereof;  
FIG. 7 is a bottom plan view thereof;  
FIG. 8 is a bottom perspective view thereof; and,  
FIG. 9 is an enlarged view of a portion of FIG. 8.

**1 Claim, 9 Drawing Sheets**

(30) **Foreign Application Priority Data**

Jun. 22, 2020 (KR) ..... 30-2020-0028178

(51) **LOC (13) Cl.** ..... **10-04**

(52) **U.S. Cl.**  
USPC ..... **D10/91; D10/92**

(58) **Field of Classification Search**

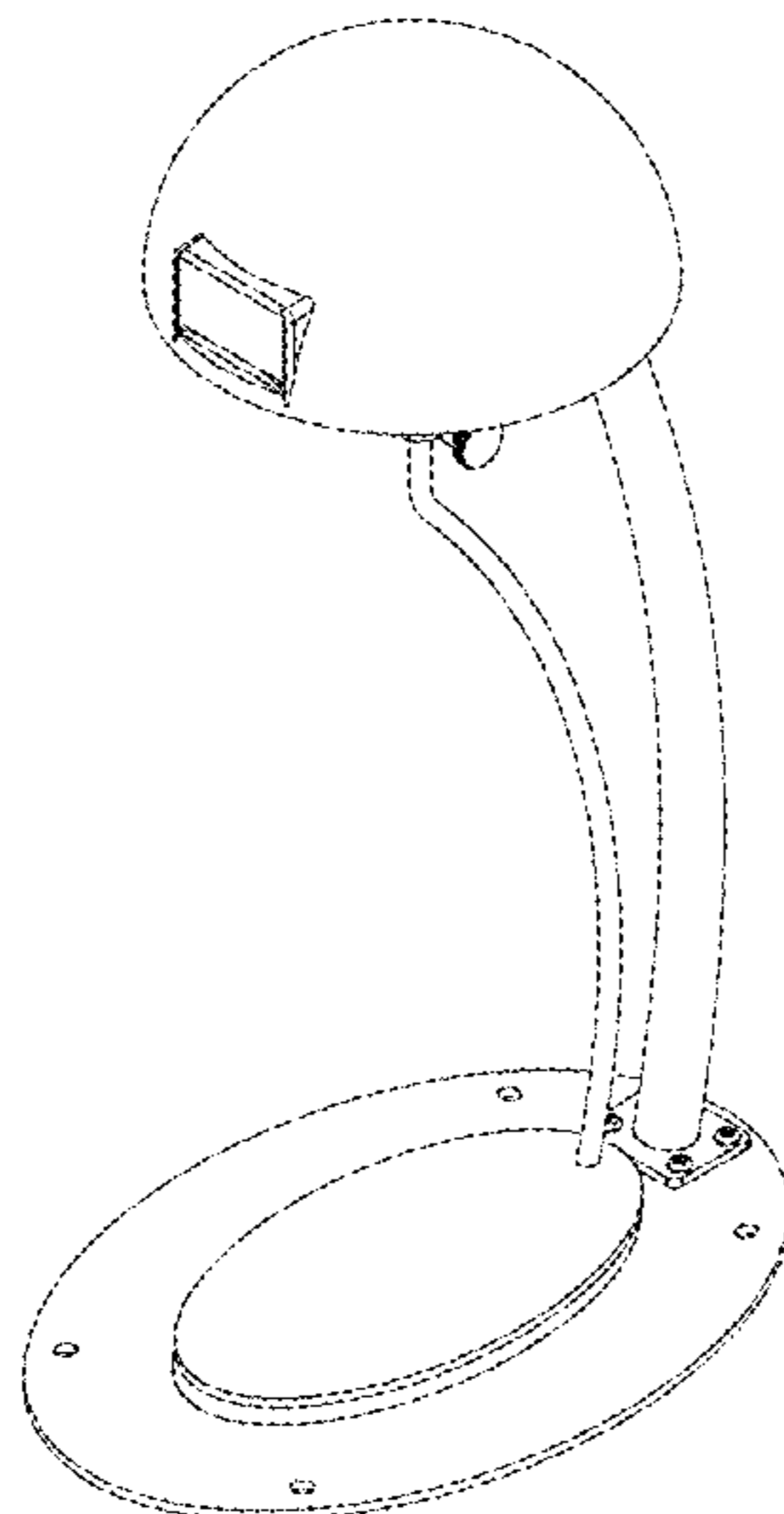
USPC ..... D10/83-96  
CPC ..... G01G 21/28; G01G 21/00; G01G 21/286;  
G01G 21/30; G01G 23/3728; G01G  
23/3735; G01G 19/44; G01G 3/14; G01G  
19/46; G01G 19/48; G01G 19/50; G01G  
21/44; G01G 19/414; G01G 19/4144;  
G01G 19/42; G01G 23/166; F16F 1/123;  
A61B 5/4872; A61B 5/0537; A61B  
5/4869; A61B 5/6825; A61B 5/6829;  
A61B 5/7445; A61B 5/1072; G06Q  
20/3678; G06Q 20/387; G06Q 20/065;  
G06Q 20/36; G06Q 20/06; G06Q 20/208;  
G09B 19/00; G16H 20/00; G16H 40/63

See application file for complete search history.

(56) **References Cited**

**U.S. PATENT DOCUMENTS**

661,158 A \* 11/1900 Stoelting et al. .... G01N 9/08  
73/436  
D138,858 S \* 9/1944 Dreyfuss ..... D10/90



(56)

**References Cited**

U.S. PATENT DOCUMENTS

2,981,412 A \* 4/1961 McQueen ..... B07C 5/24  
 209/648  
 3,583,505 A \* 6/1971 Van Valkinburgh ..... G01G 3/02  
 177/232  
 D472,173 S \* 3/2003 Bouhuys ..... D10/91  
 7,408,125 B2 \* 8/2008 Lentine ..... A01K 97/00  
 177/148  
 2004/0163267 A1 \* 8/2004 Bini ..... A01K 97/00  
 33/511  
 2018/0103617 A1 \* 4/2018 Izumo ..... A01K 1/031  
 2020/0410437 A1 \* 12/2020 Kim ..... G06K 9/00362

FOREIGN PATENT DOCUMENTS

CN 306254927 \* 7/2020  
 JP D1669080 \* 2/2020  
 KR 30-0254135 S 3/2000  
 KR 30-0442682 S 3/2007  
 KR 301083199.0000 \* 3/2020

OTHER PUBLICATIONS

Farm Weigh, Manual Poultry Scale, Date first available from wayback date Aug. 1, 2017, [online]retrieved Aug. 24, 2021, available from wayback <http://www.farmweighsystems.com/> (Year: 2017).\*

Veit, Manual Poultry Scale, Date first available from wayback date Feb. 24, 2019, [online]retrieved Aug. 24, 2021, available from wayback <https://www.veit.cz/poultry-scales> (Year: 2019).\*

Internet of Things International Exhibition' Oct. 23-25, 2019, Seoul, Republic of Korea. Retrieved from [http://www.korea.kr/news/reporterView.do?newsId=148866044&call\\_f%20rom=naver\\_news](http://www.korea.kr/news/reporterView.do?newsId=148866044&call_f%20rom=naver_news) (news article published on Nov. 1, 2019, regarding the IoT International Exhibition).

\* cited by examiner

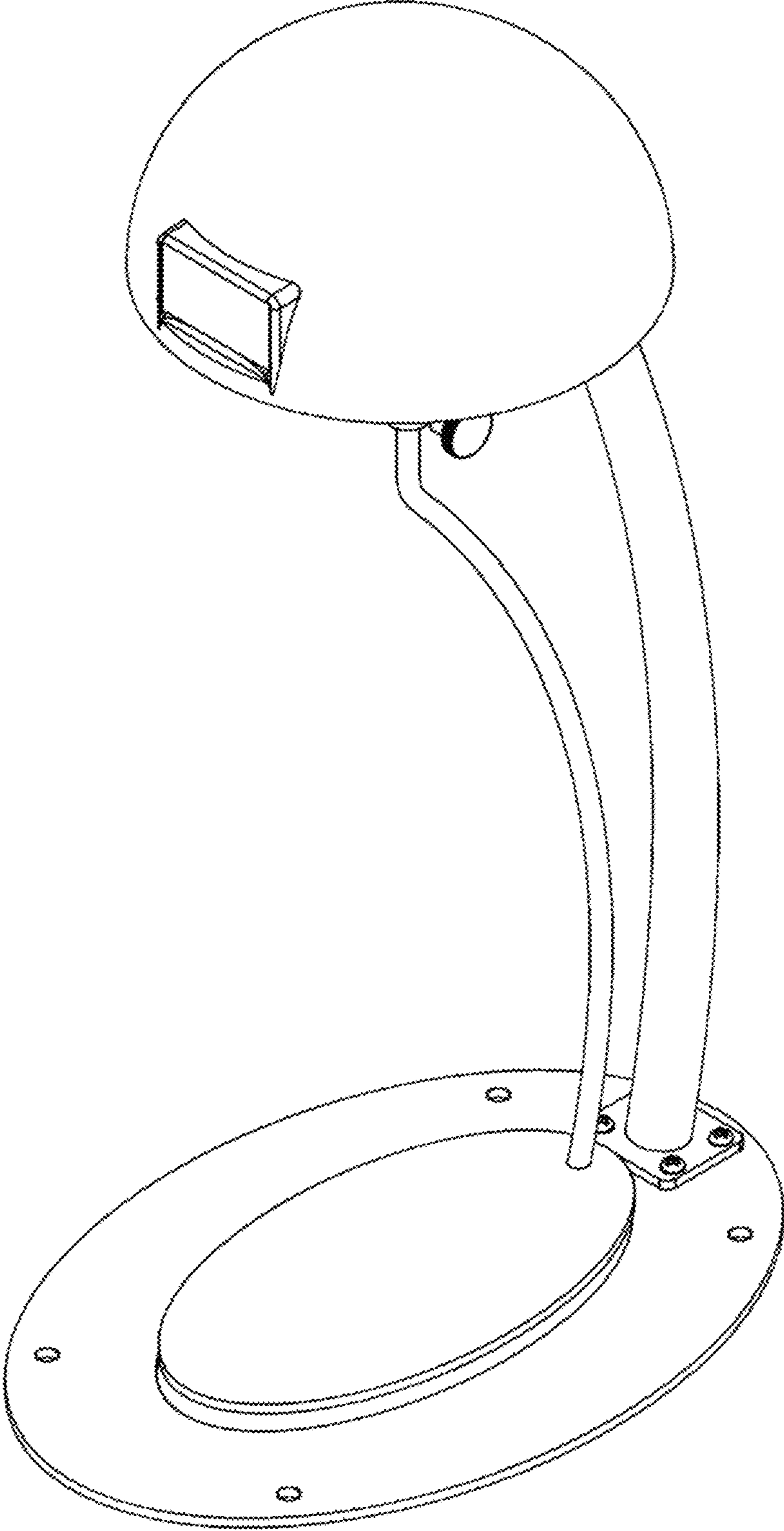


FIG. 1

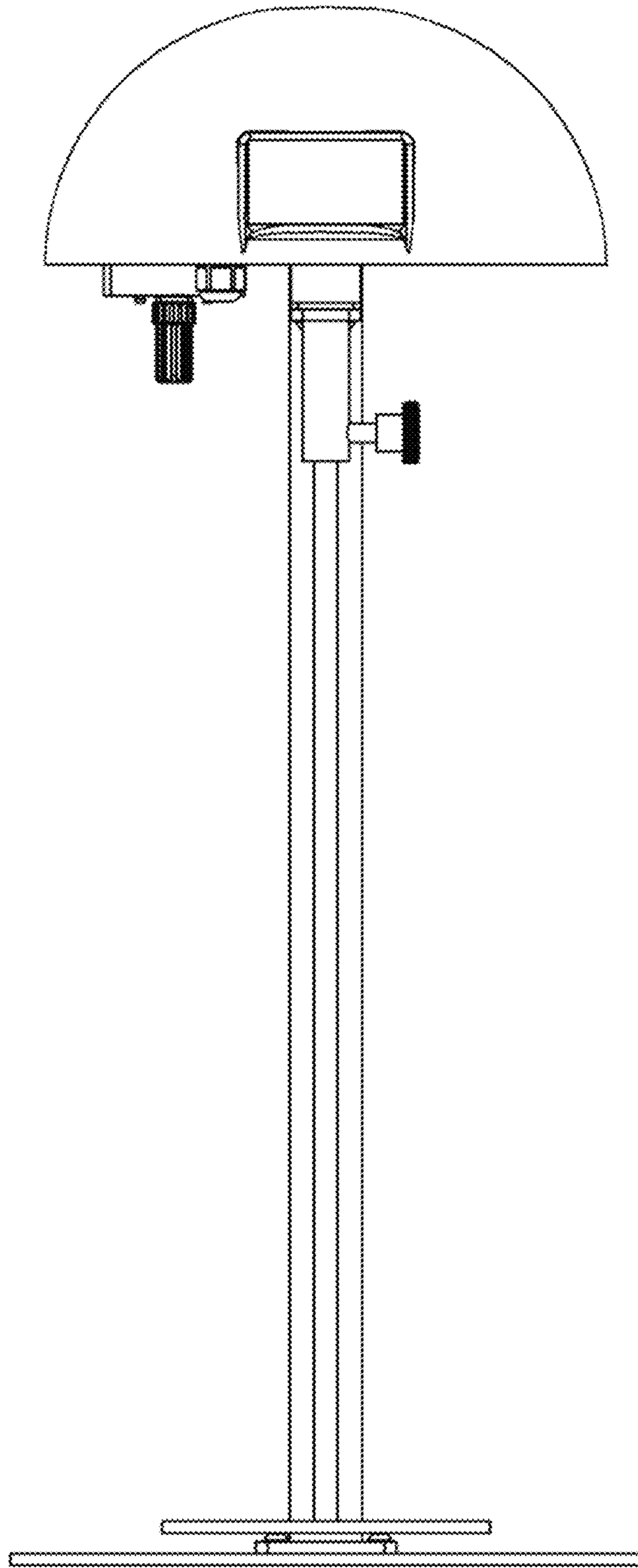


FIG. 2

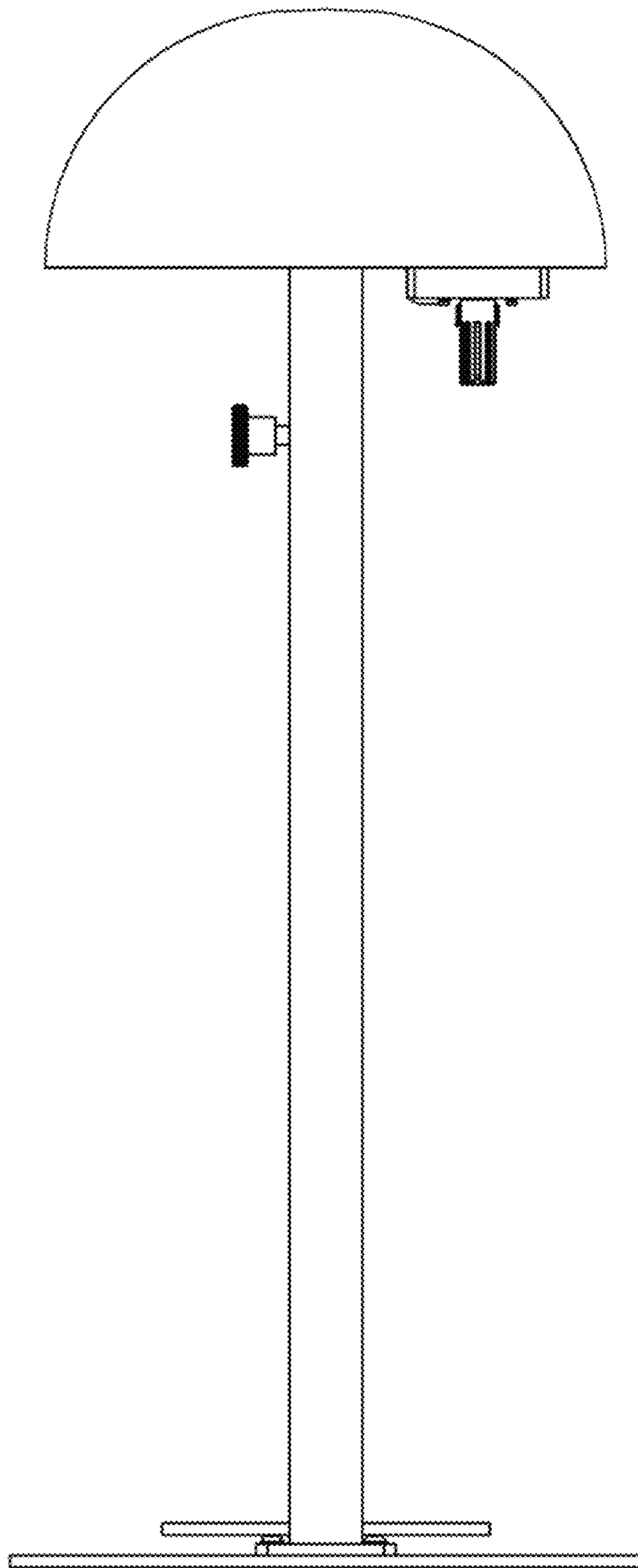


FIG. 3

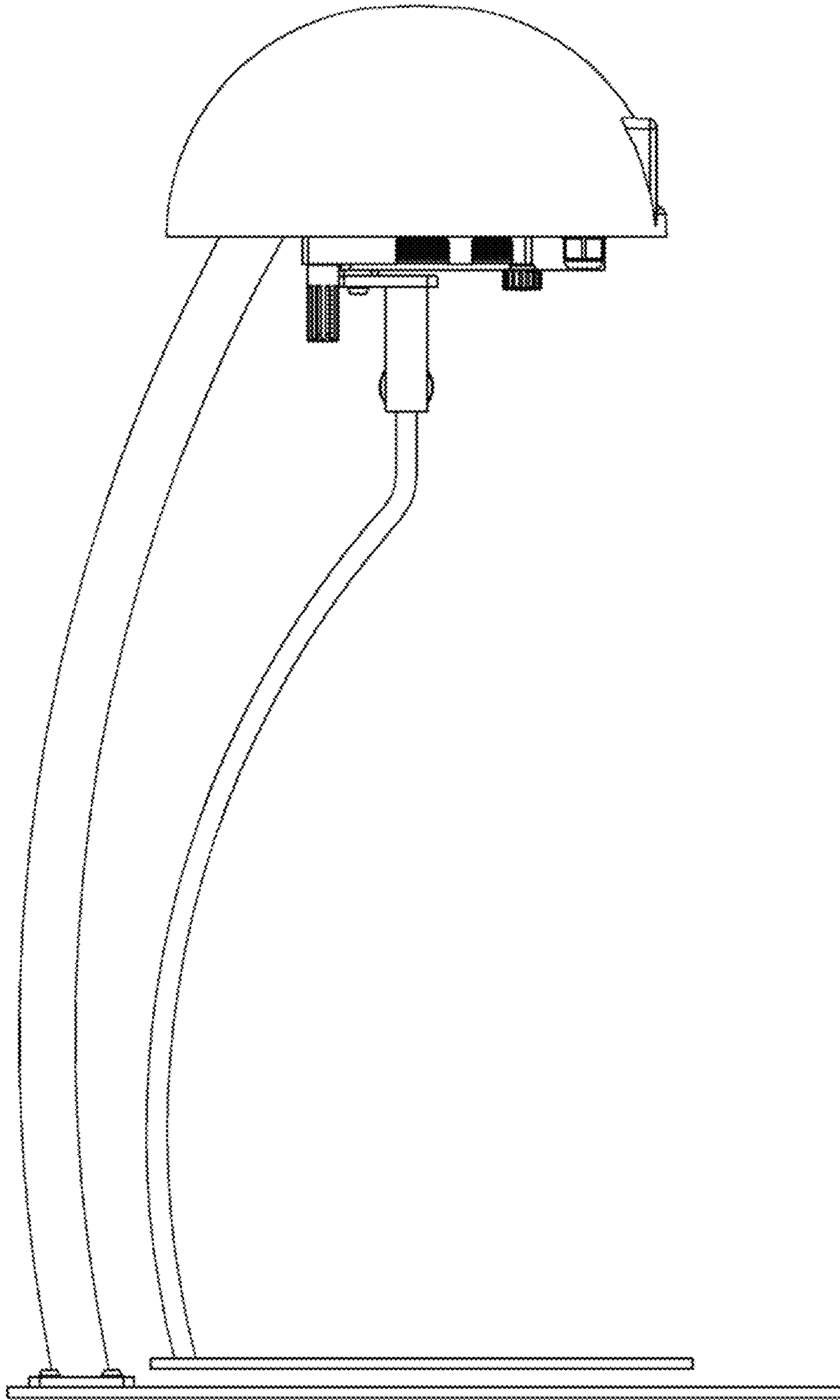


FIG. 4

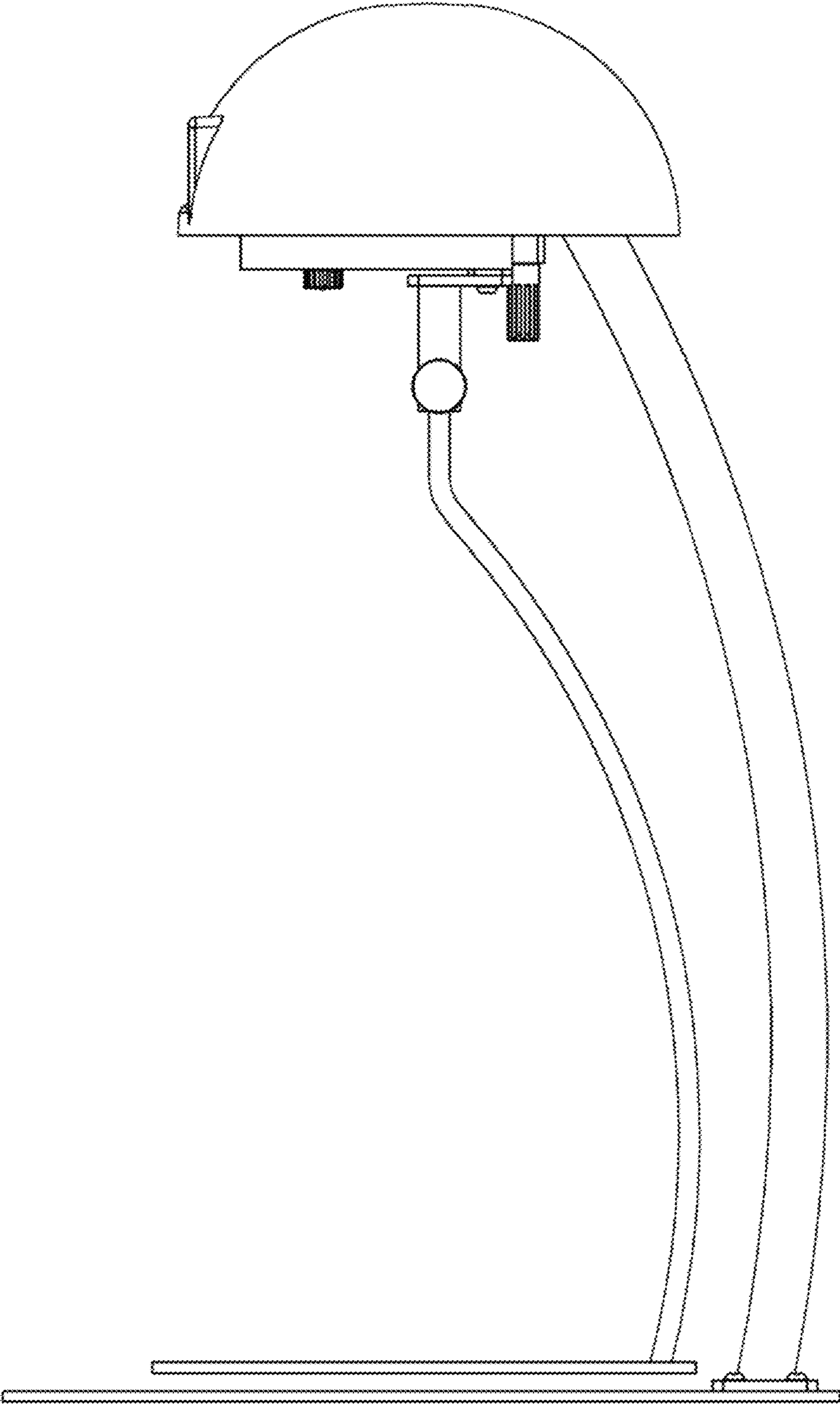


FIG. 5

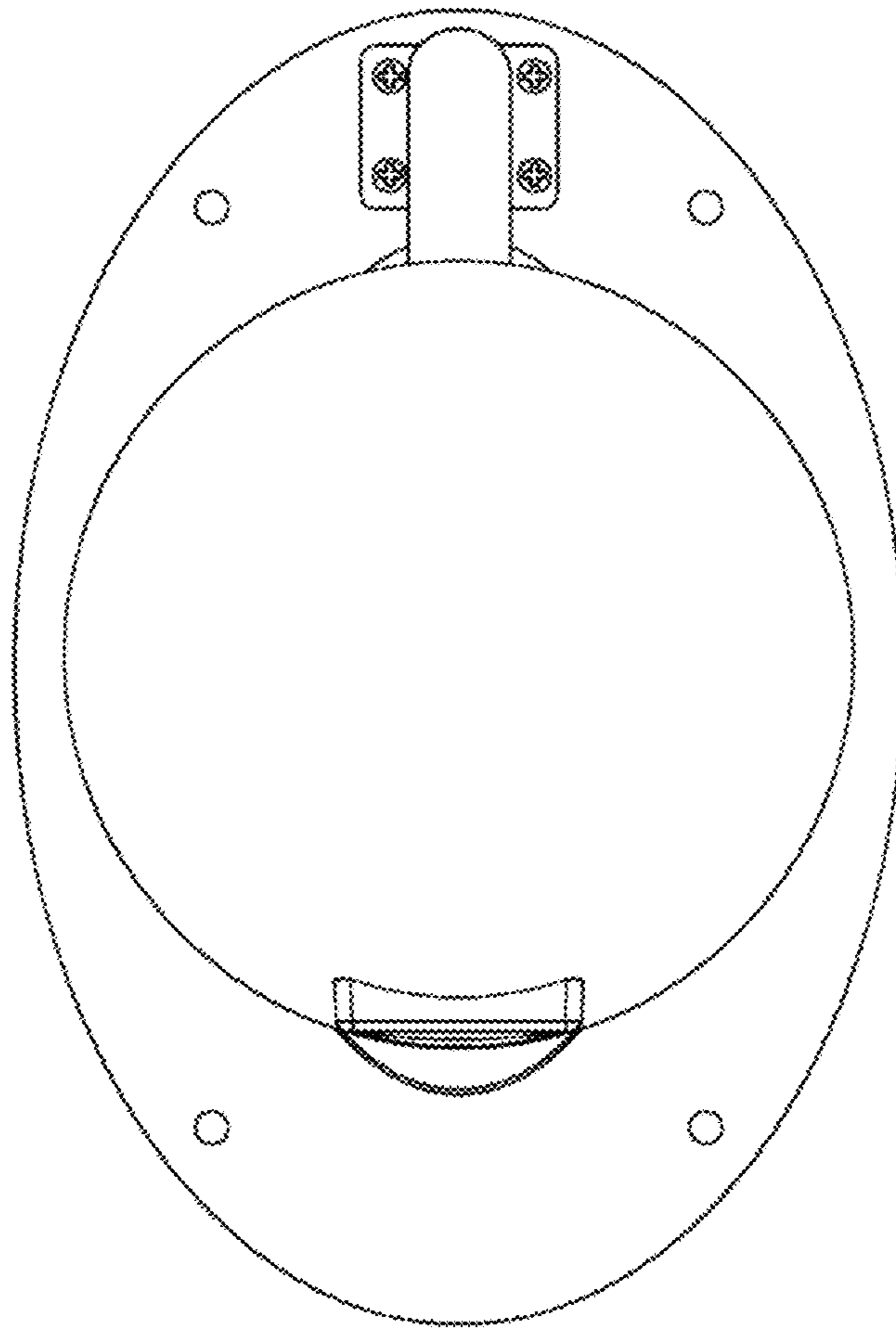


FIG. 6



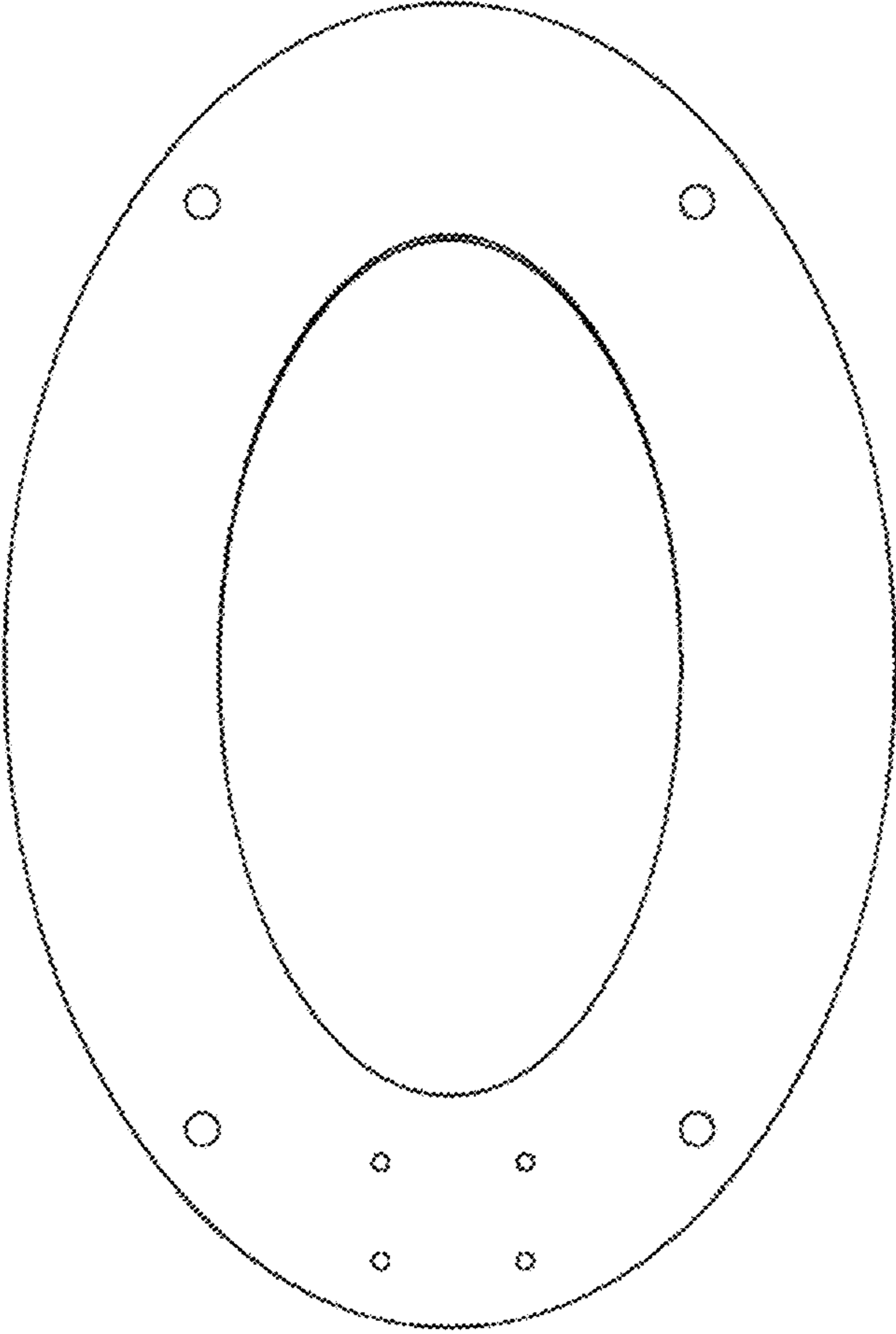


FIG. 7

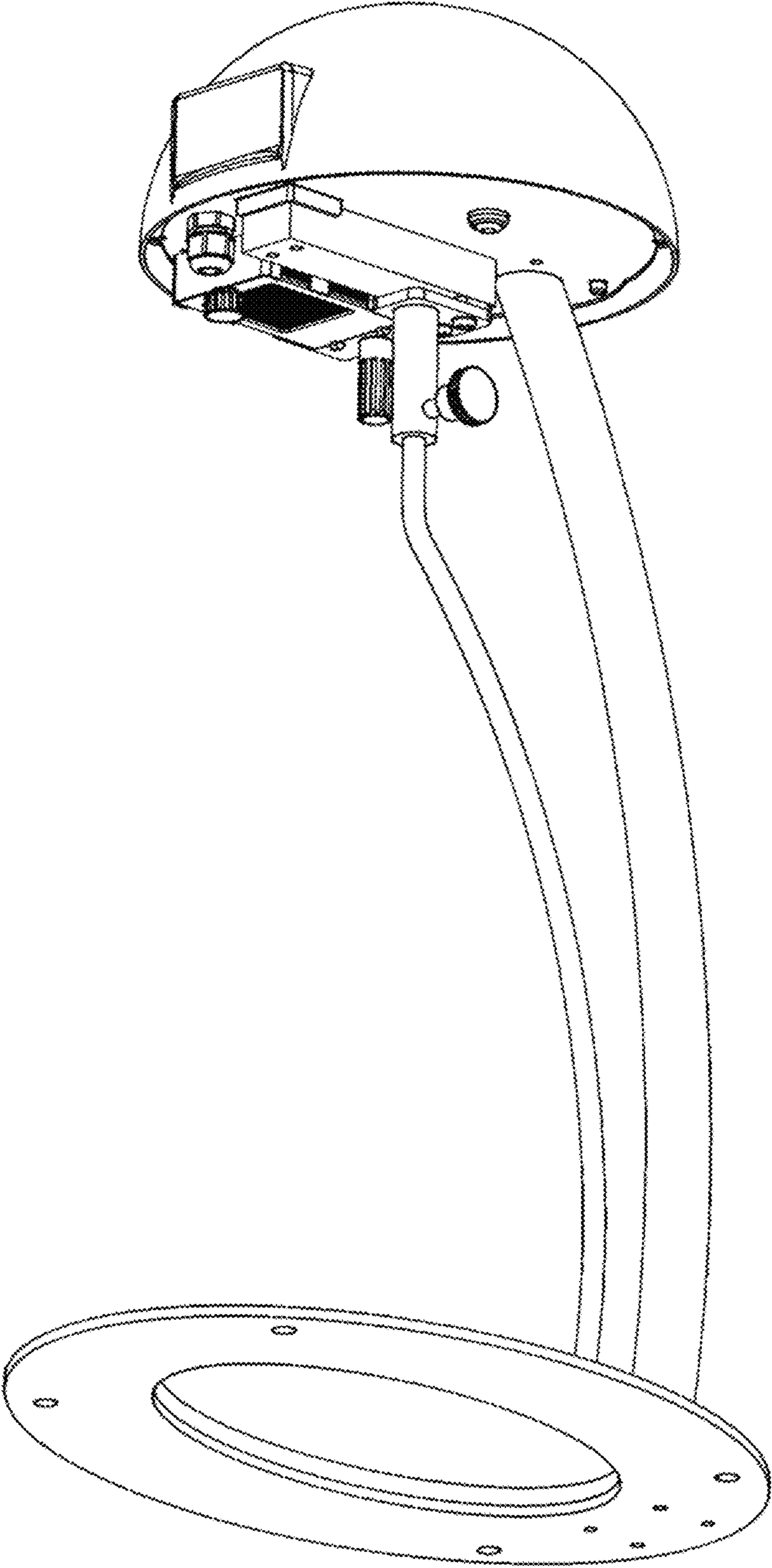


FIG. 8

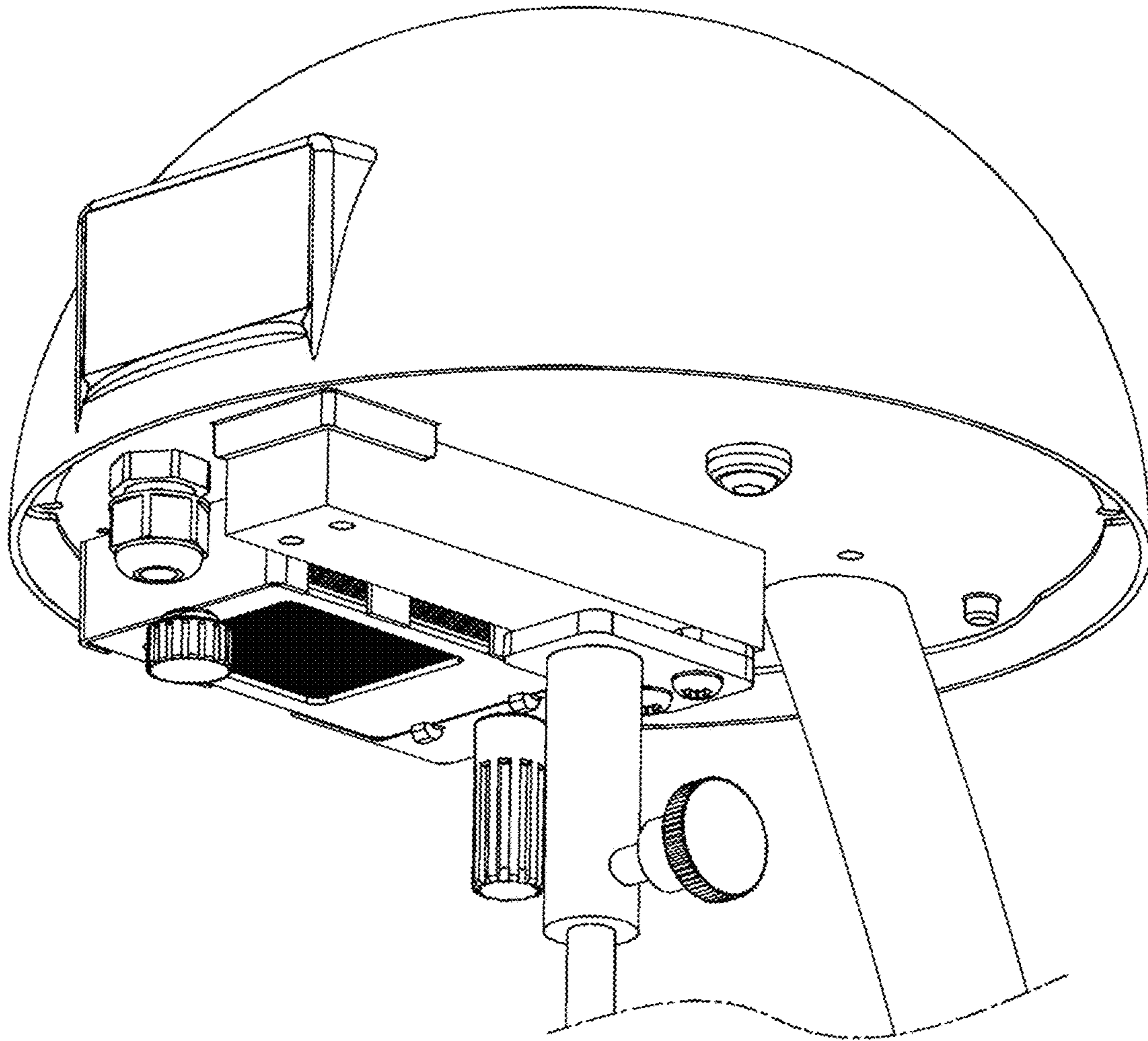


FIG. 9