



US00D939981S

(12) **United States Design Patent**
Aver et al.

(10) **Patent No.:** **US D939,981 S**
(45) **Date of Patent:** **** Jan. 4, 2022**

(54) **MAT SENSOR**
(71) Applicant: **NIKE, Inc.**, Beaverton, OR (US)
(72) Inventors: **Mark Aver**, Portland, OR (US); **David Bleicher**, Tel-Aviv (IL); **Tamir Lousky**, Bat-Yam (IL); **Shachar Ilan**, Givatayim (IL); **Junichi Otake**, Portland, OR (US)
(73) Assignee: **NIKE, Inc.**, Beaverton, OR (US)
(**) Term: **15 Years**
(21) Appl. No.: **29/704,630**
(22) Filed: **Sep. 5, 2019**
(51) **LOC (13) Cl.** **10-04**
(52) **U.S. Cl.**
USPC **D10/71; D10/83; D10/92**
(58) **Field of Classification Search**
USPC D10/87, 88, 92, 70, 71, 83, 84, 85, 89, D10/91, 94
CPC G06T 19/006; G06Q 30/0643; G06Q 30/0621; G06Q 30/0631; A43D 1/00; A43D 1/02; A43D 1/022; A43D 1/025; A43D 1/027; A43D 1/04; A43D 1/06; A43D 1/08; A61B 5/107; A61B 5/1071; A61B 5/1072; A61B 5/10713; A61B 5/1074; A61B 5/1075; A61B 5/1076; A61B 5/1077; A61B 5/1078; A61B 5/1079
See application file for complete search history.

D696,971 S * 1/2014 Ammon A61B 5/1079 D10/70
9,019,359 B2 * 4/2015 Leedy A43D 1/02 348/77
9,402,567 B2 * 8/2016 Danenberg A61B 5/1079
D804,336 S * 12/2017 Papakostas D10/70
D842,729 S * 3/2019 Sato D10/88
D842,730 S * 3/2019 Sato D10/88
11,138,650 B2 * 10/2021 Hayes A43D 1/08
2019/0228448 A1 7/2019 Bleicher et al.

* cited by examiner

Primary Examiner — Antoine Duval Davis

(74) *Attorney, Agent, or Firm* — Banner & Witcoff, Ltd.

(57) **CLAIM**

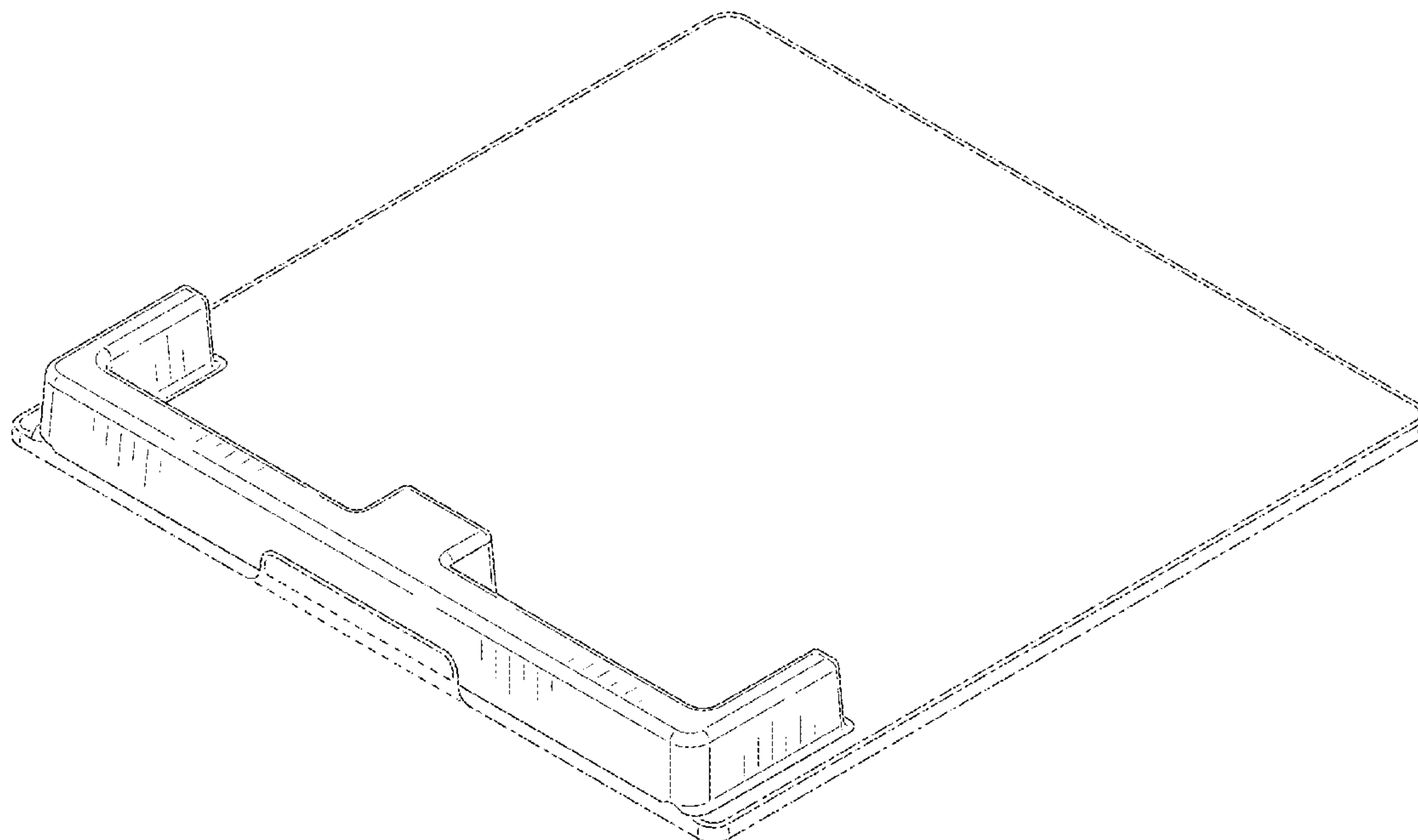
The ornamental design for a mat sensor, as shown and described.

DESCRIPTION

FIG. 1 is a front perspective view of a mat sensor showing our new design;
FIG. 2 is a front view thereof;
FIG. 3 is a rear view thereof;
FIG. 4 is a right side view thereof;
FIG. 5 is a left side view thereof; and,
FIG. 6 is a top view thereof.
The uneven-length broken line defines the bounds of the claimed design and forms no part thereof. The even-length broken lines depicting the remainder of the mat sensor form no part of the claimed design.

1 Claim, 4 Drawing Sheets

(56) **References Cited**
U.S. PATENT DOCUMENTS
6,621,013 B2 * 9/2003 Tanida A61B 5/1171 177/4
D689,389 S * 9/2013 Berme A43D 1/02 D10/83



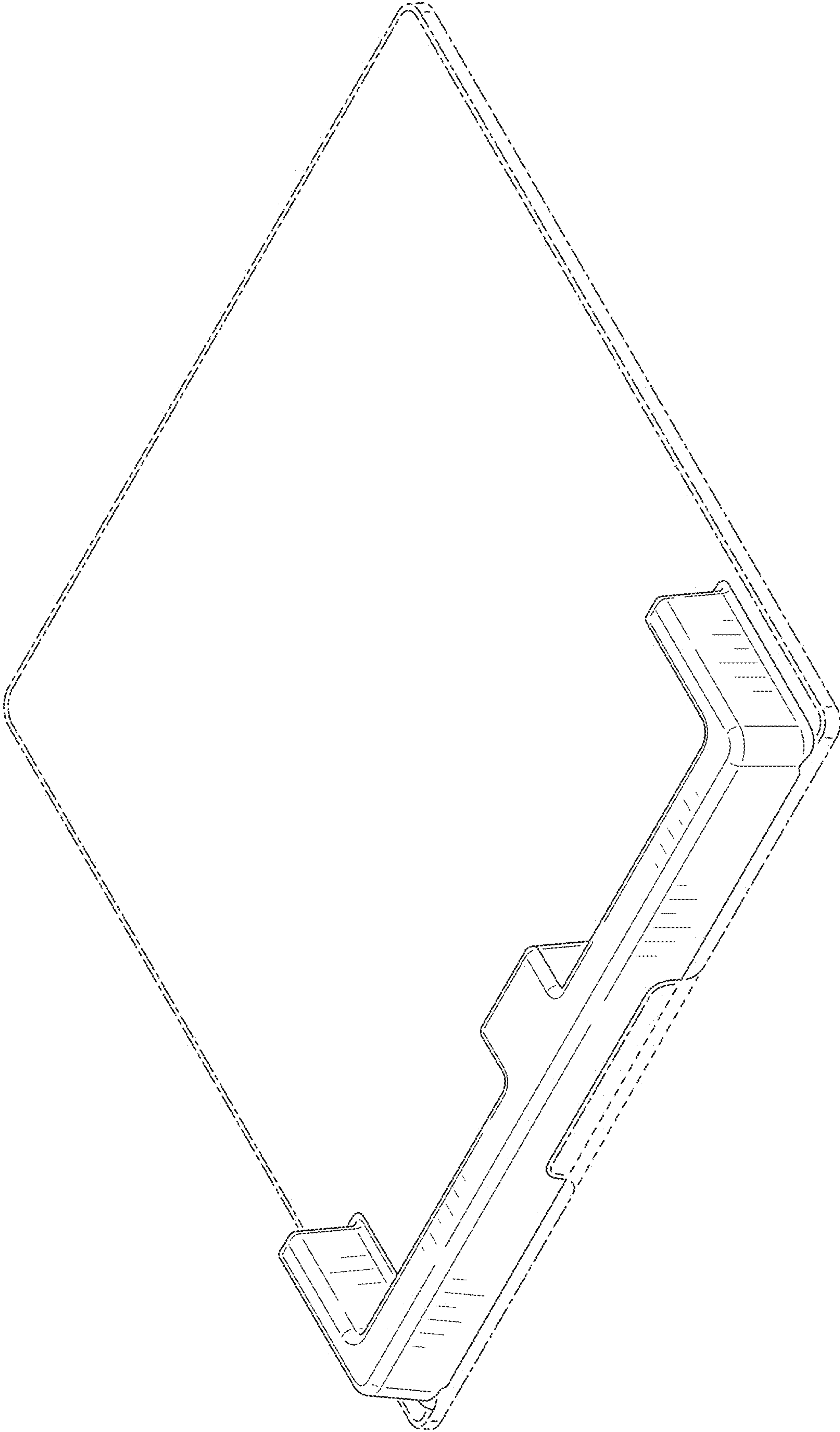


FIG. 1

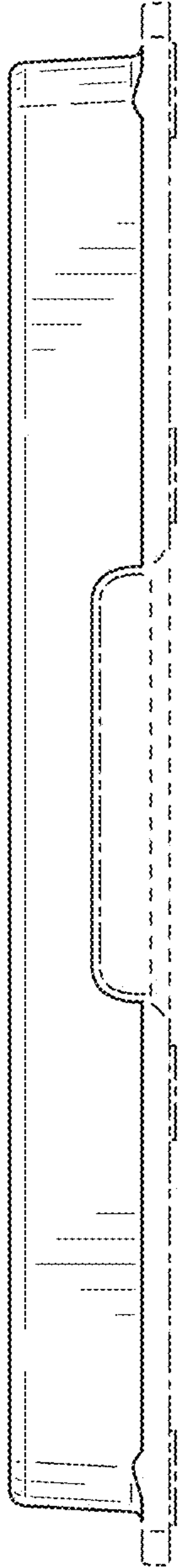


FIG. 2

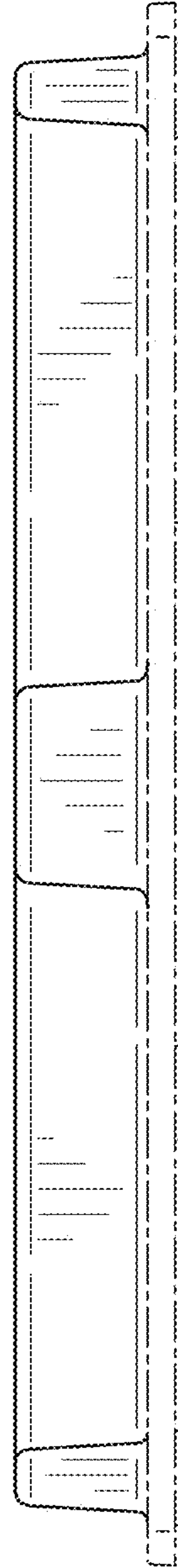


FIG. 3

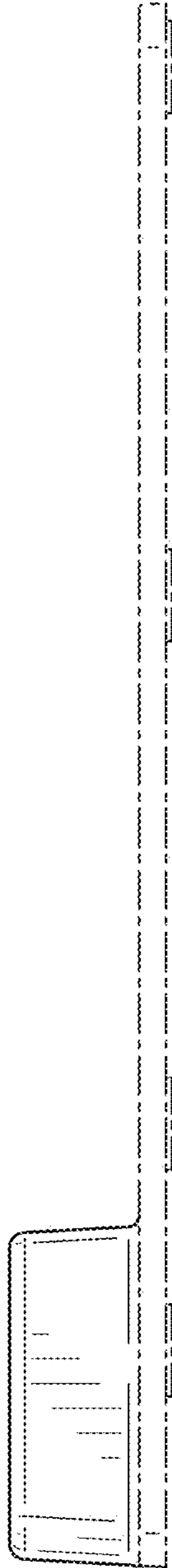


FIG. 4

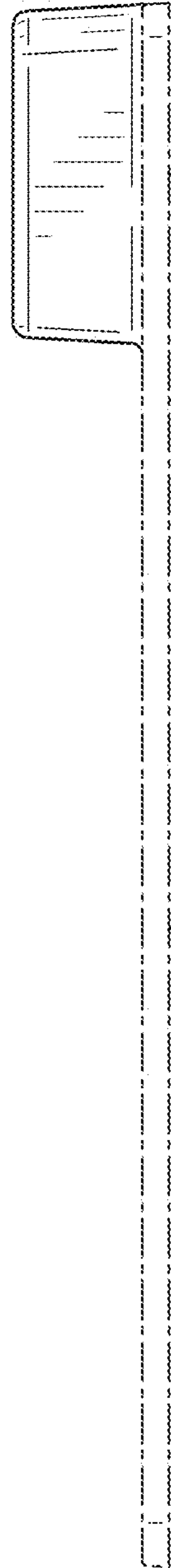


FIG. 5

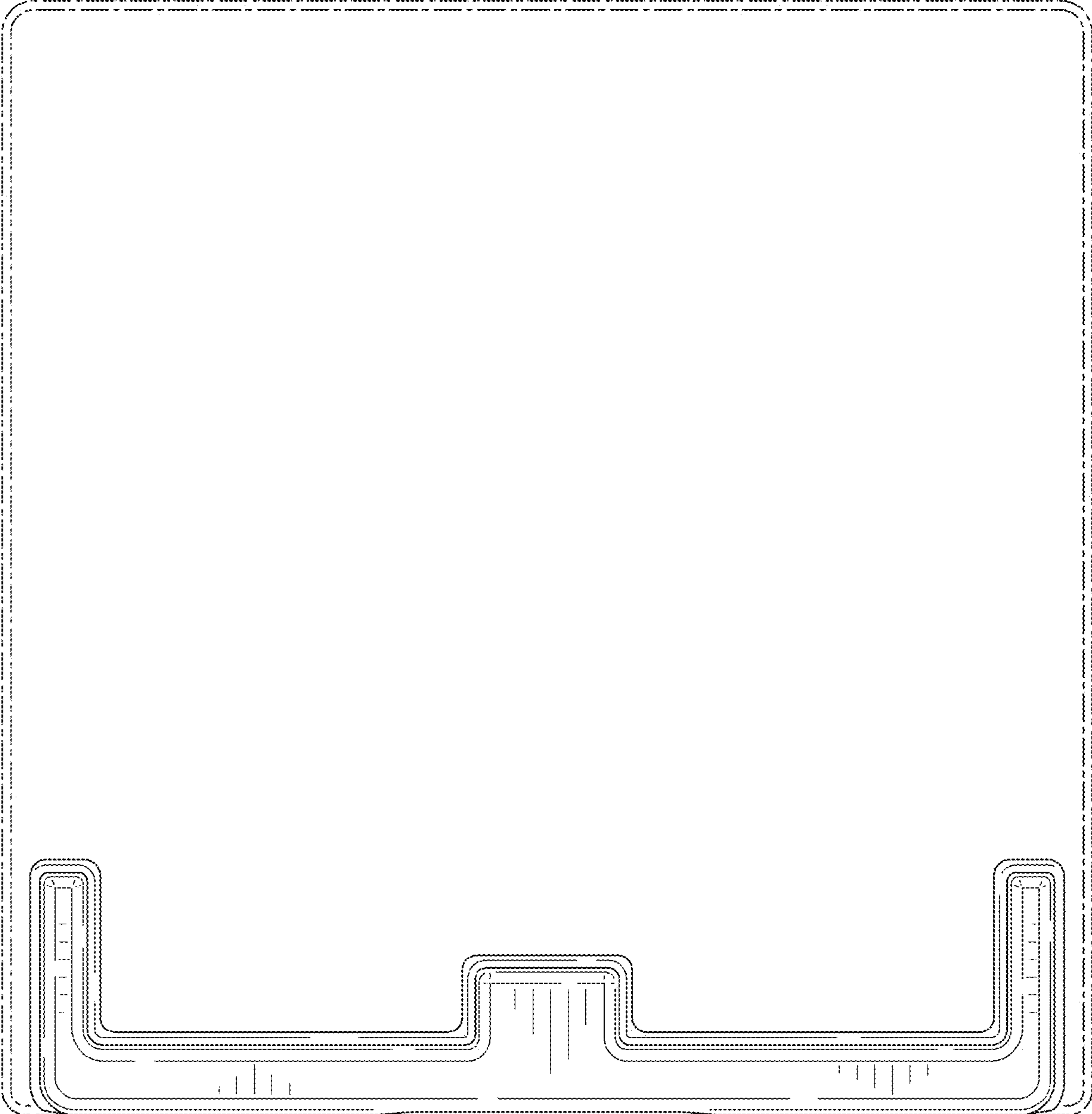


FIG. 6