



US00D939979S

(12) **United States Design Patent**  
**Fu**

(10) **Patent No.:** **US D939,979 S**

(45) **Date of Patent:** **\*\* Jan. 4, 2022**

(54) **SENSOR**

(71) Applicant: **SCHNEIDER ELECTRIC (AUSTRALIA) PTY LTD**, Macquarie Park (AU)

(72) Inventor: **Jiayu Fu**, Shenzhen (CN)

(73) Assignee: **SCHNEIDER ELECTRIC (AUSTRALIA) PTY LTD**, Macquarie Park (AU)

(\*\*) Term: **15 Years**

(21) Appl. No.: **29/703,933**

(22) Filed: **Aug. 30, 2019**

(51) **LOC (13) Cl.** ..... **10-04**

(52) **U.S. Cl.**  
USPC ..... **D10/70; D10/106.6**

(58) **Field of Classification Search**  
USPC ..... D10/46, 70, 106.6  
CPC ..... G01V 8/20; G08B 13/1645; G08B 13/16; G08B 13/1609; G08B 13/1627; G08B 13/1618; G08B 13/1636; G08B 13/1654; G08B 13/1663; G08B 13/1672; G08B 13/1681; G08B 13/16169; G08B 13/181; G08B 13/183; G08B 13/184; G08B 13/186; G08B 13/187; G08B 13/189; G08B 13/1895; G08B 13/19; G08B 13/191; G08B 13/193; G08B 17/12; G08B 13/00; G08B 13/02; G08B 13/04; G08B 13/06; G08B 13/08; G08B 13/10; G08B 13/12; G08B 13/122; G08B 13/124; G08B 13/126; G08B 13/128; G08B 13/14; G08B 13/1409; G08B 13/1418; G08B 13/1427; G08B 13/1436; G08B 13/1445; G08B 13/1463; G08B 13/1472; G08B 13/1481; G08B 13/149; G08B 13/169; G08B 13/194; G08B 13/196; G08B 13/19602; G08B 13/19608; G08B 13/1961; G08B 13/19613; G08B 13/18; G08B 13/19615; G08B 13/19617; G08B 13/19619; G08B 13/19621; G08B

13/19623; G08B 13/19626; G08B 13/19628; G08B 13/1963; G08B 13/19632; G08B 13/19634; G08B 13/19636; G08B 13/19639; G08B 13/19641; G08B 13/19643; G08B 13/19645; G08B 13/19647; G08B 13/1965; G08B 13/19652; G08B 13/19654; G08B 13/19656; G08B 13/19658; G08B 13/1966; G08B 13/19663; G08B 13/19665; G08B 13/19667; G08B 13/19669; G08B 13/19671; G08B

(Continued)

(56) **References Cited**

U.S. PATENT DOCUMENTS

D360,842 S \* 8/1995 Hu ..... D10/106.6  
D368,043 S \* 3/1996 Pun ..... D10/106.6

(Continued)

*Primary Examiner* — Antoine Duval Davis

(74) *Attorney, Agent, or Firm* — Locke Lord LLP

(57) **CLAIM**

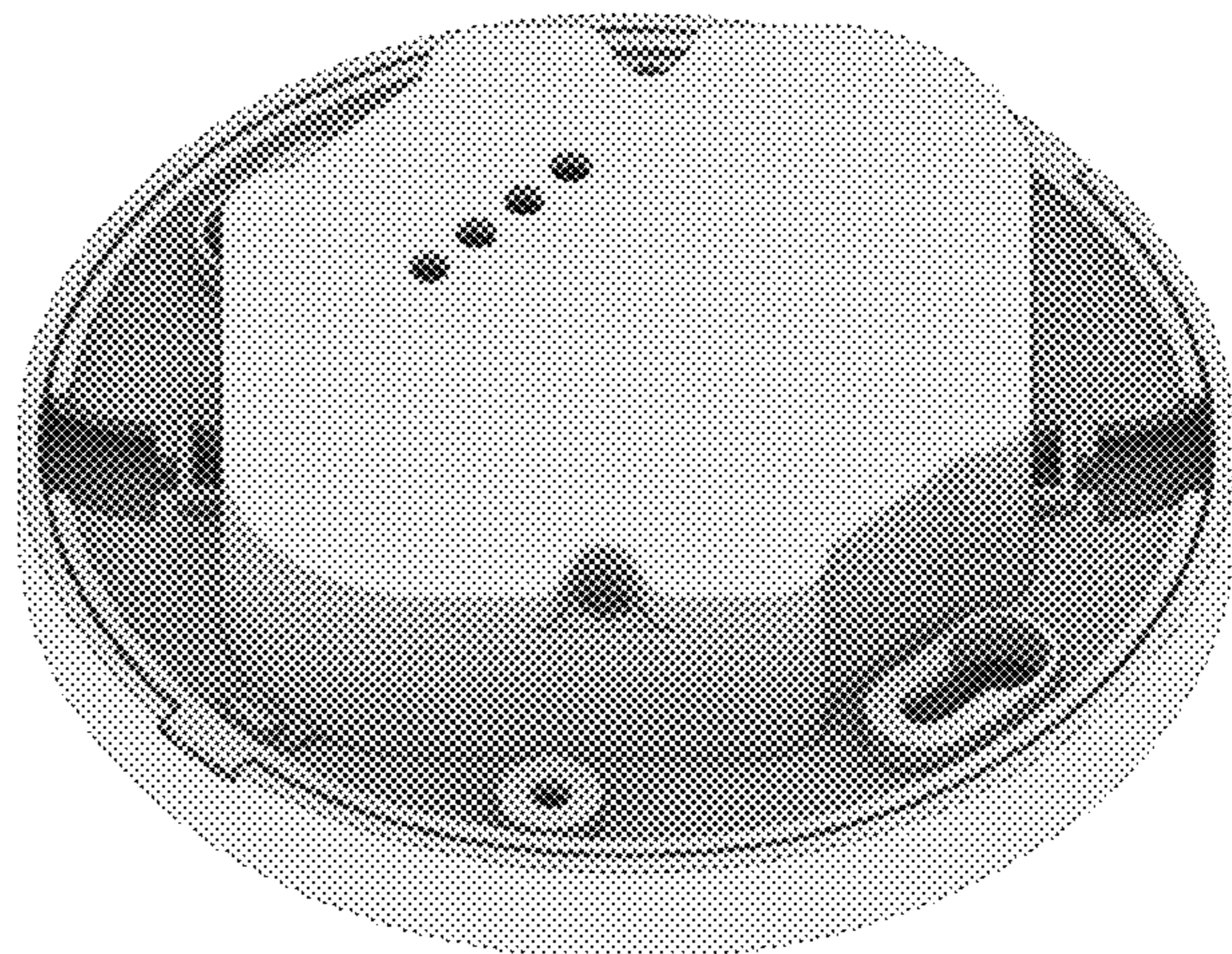
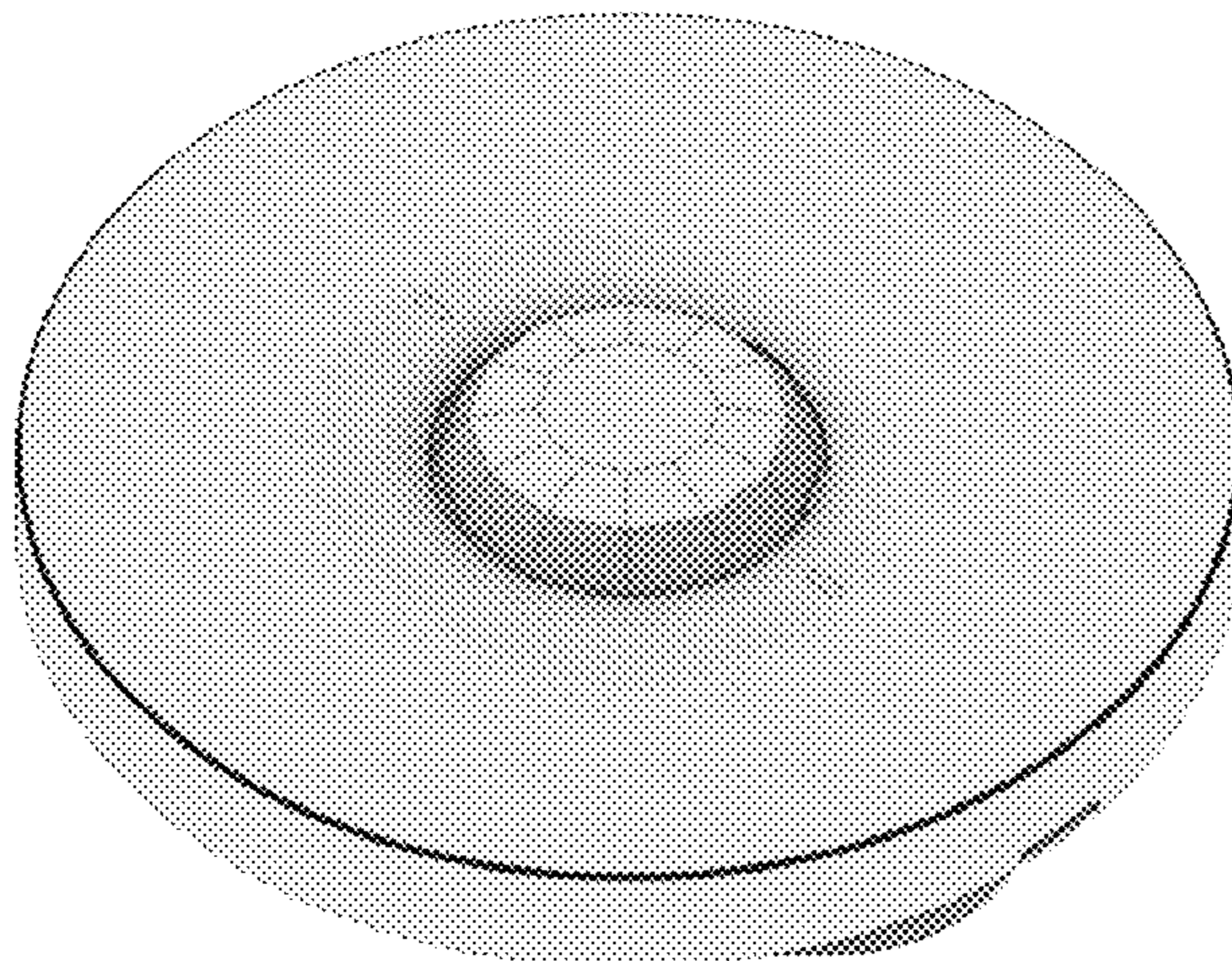
The ornamental design for a sensor, as shown and described.

**DESCRIPTION**

FIG. 1 is a front view of the sensor;  
FIG. 2 is a back view of the sensor shown in FIG. 1;  
FIG. 3 is a top view of the sensor shown in FIG. 1;  
FIG. 4 is a bottom view of the sensor shown in FIG. 1;  
FIG. 5 is a left view of the sensor shown in FIG. 1;  
FIG. 6 is a right view of the sensor shown in FIG. 1;  
FIG. 7 is a first perspective view of the sensor shown in FIG. 1; and,  
FIG. 8 is a second perspective view of the sensor shown in FIG. 1.

Any labels or labelling, such as text, numbers, characters and/or symbols, on the components shown in the figures are not part of the design.

**1 Claim, 4 Drawing Sheets**



(58) **Field of Classification Search**

CPC . 13/19673; G08B 13/19676; G08B 13/19678;  
G08B 13/1968; G08B 13/19682; G08B  
13/19684; G08B 13/19686; G08B  
13/19689; G08B 13/19691; G08B  
13/19693; G08B 13/19695; G08B  
13/19697; G08B 13/20; G08B 13/22;  
G08B 13/24; G08B 13/2402; G08B  
13/2405; G08B 13/2408; G08B 13/2411;  
G08B 13/2414; G08B 13/2417; G08B  
13/242; G08B 13/2422; G08B 13/2425;  
G08B 13/2428; G08B 13/2431; G08B  
13/2434; G08B 13/2437; G08B 13/244;  
G08B 13/2442; G08B 13/2445; G08B  
13/2448; G08B 13/2451; G08B 13/2454;  
G08B 13/2457; G08B 13/246; G08B  
13/2462; G08B 13/2465; G08B 13/2468;  
G08B 13/2471; G08B 13/2474; G08B

(56)

13/2477; G08B 13/248; G08B 13/2482;  
G08B 13/2485; G08B 13/2488; G08B  
13/2491; G08B 13/2492; G08B 13/2497;  
G08B 13/26; H03K 17/941; H03K  
2017/9455; H03K 17/9505; H03K  
17/9622; H03K 17/9627; H05B 37/0227

See application file for complete search history.

**References Cited**

U.S. PATENT DOCUMENTS

D597,430 S \* 8/2009 Sloan ..... D10/106.6  
D603,284 S \* 11/2009 Sloan ..... D10/106.6  
D668,164 S \* 10/2012 Cowles ..... D10/70  
D886,650 S \* 6/2020 Lan ..... D10/70  
D922,231 S \* 6/2021 Densham ..... D10/106.9  
D923,495 S \* 6/2021 Densham ..... D10/70

\* cited by examiner

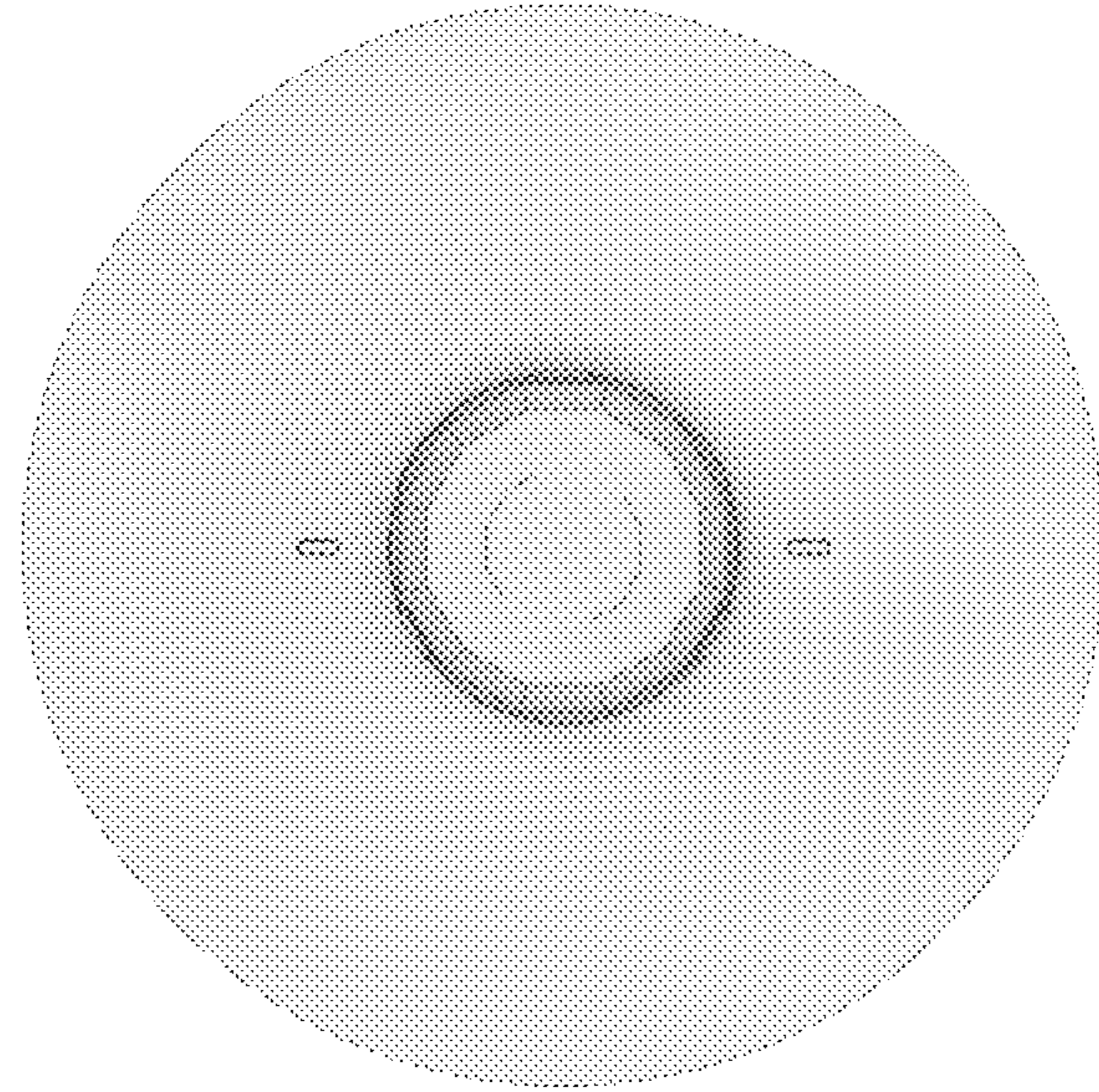


Fig. 1

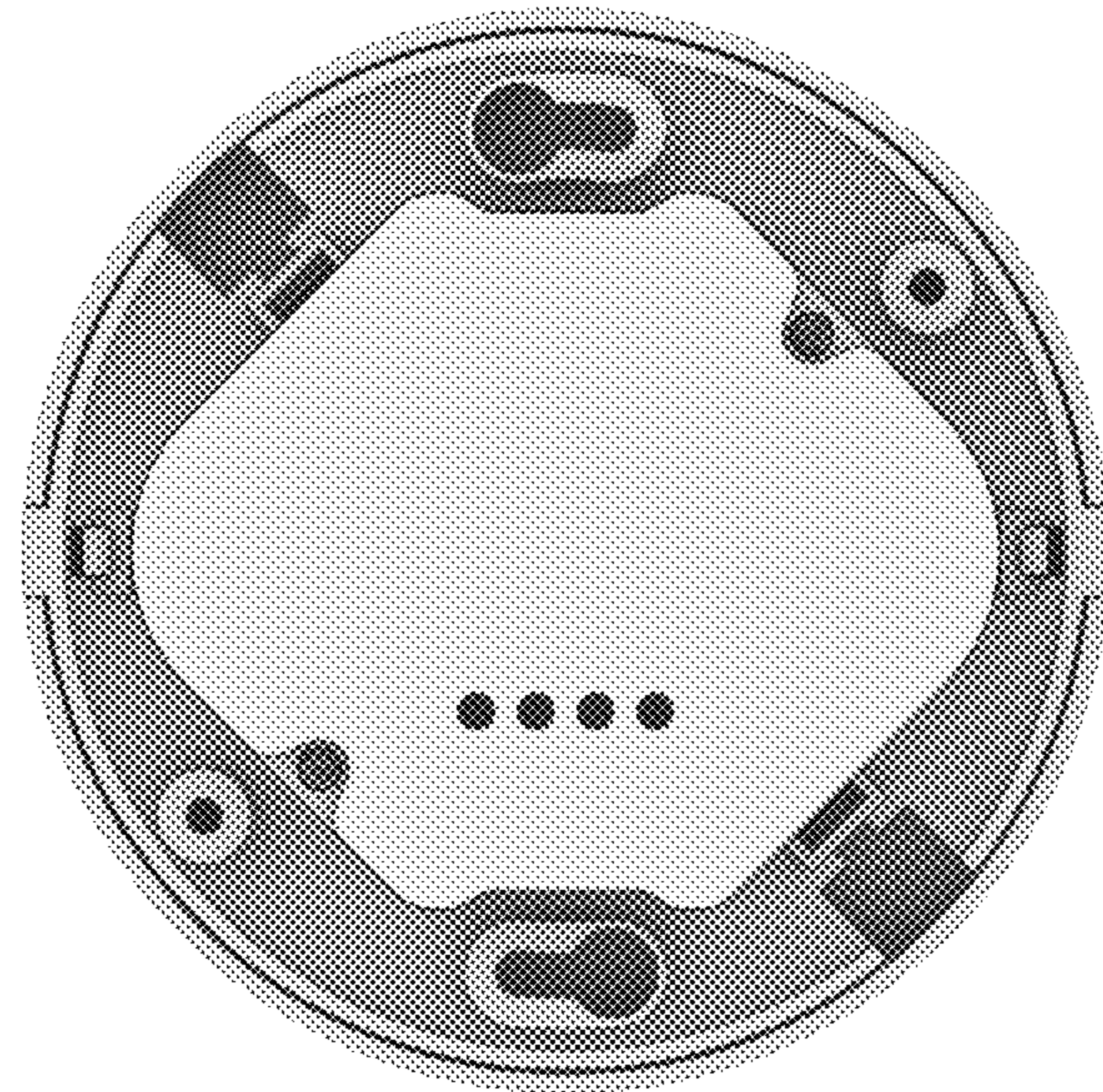


Fig. 2

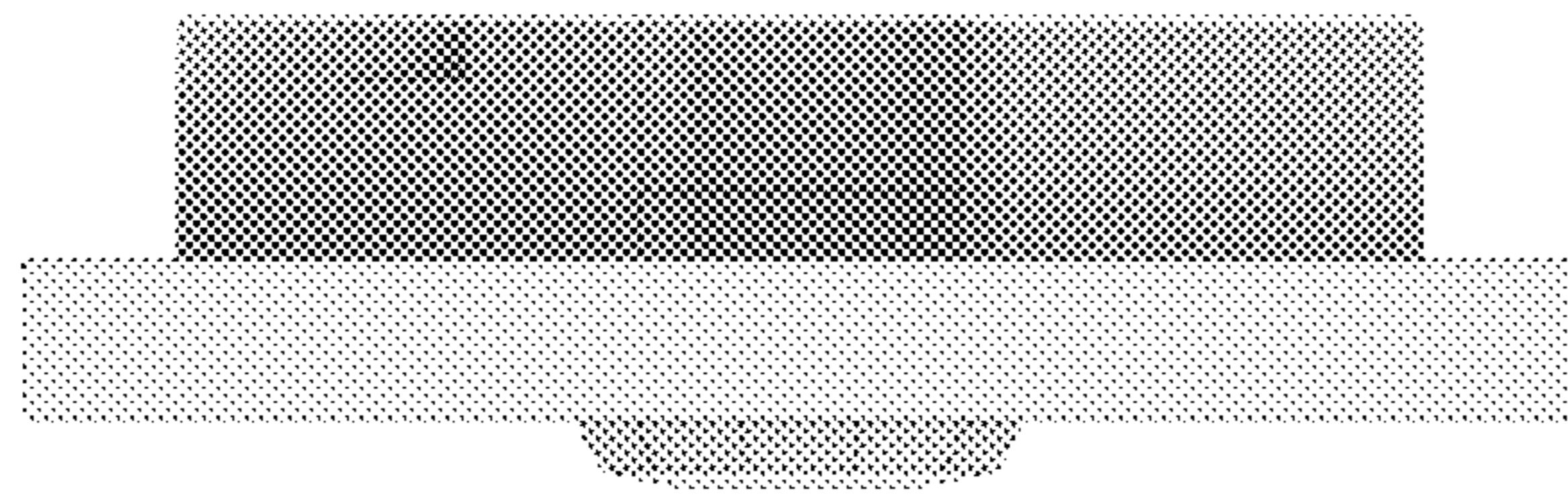


Fig. 3

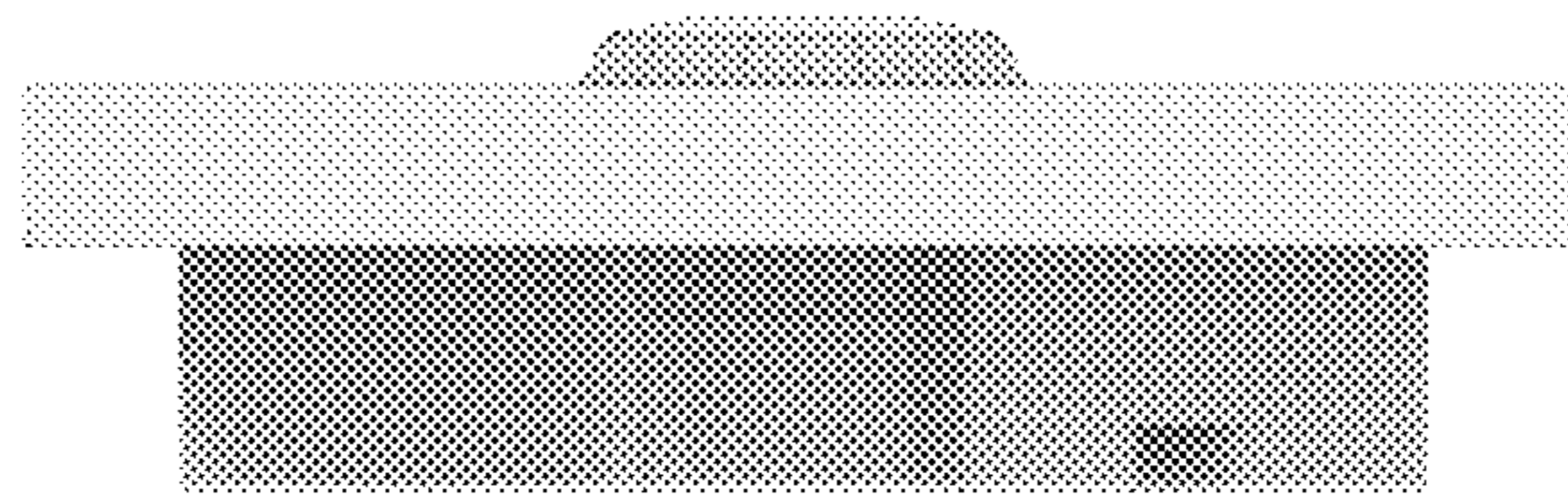


Fig. 4

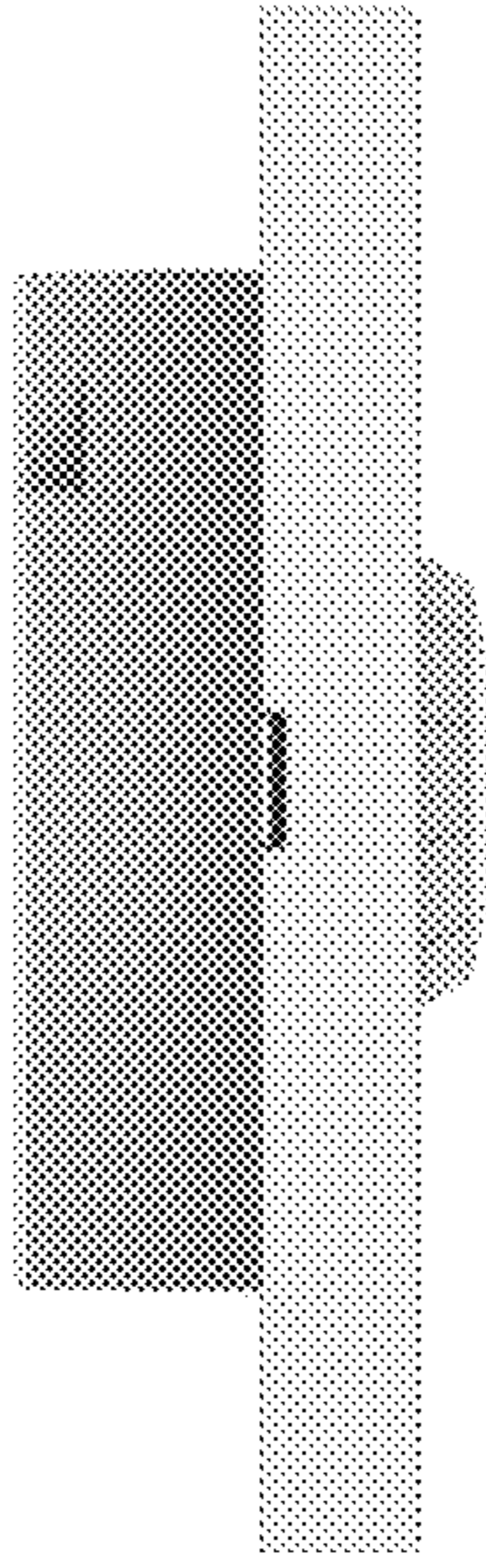


Fig. 5

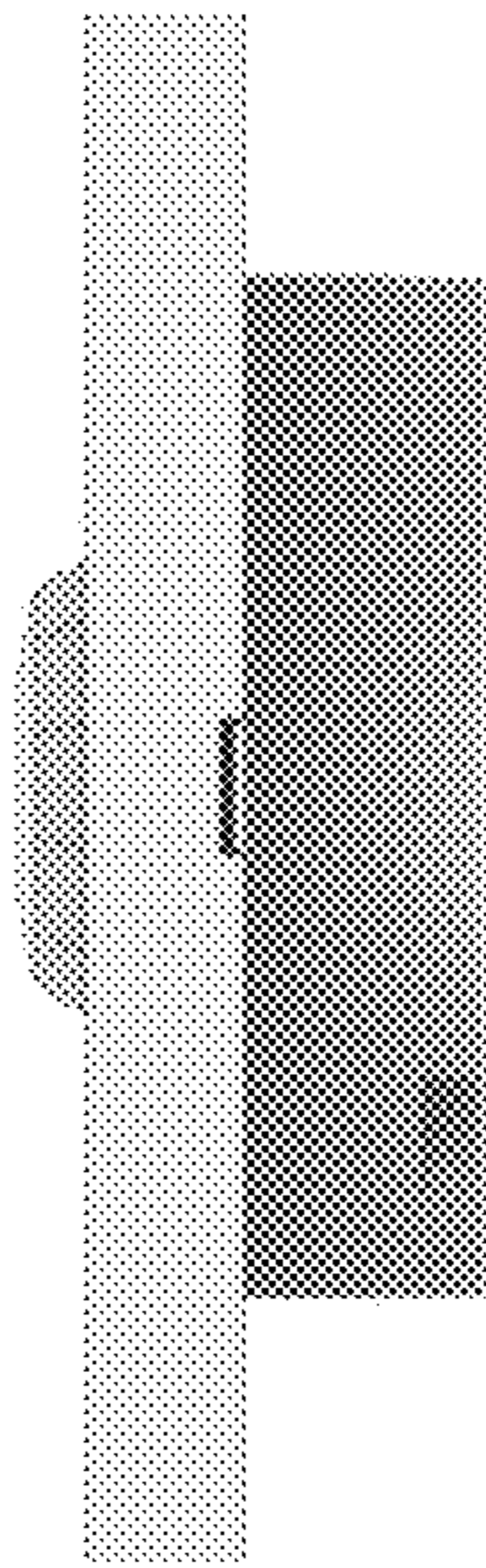


Fig. 6

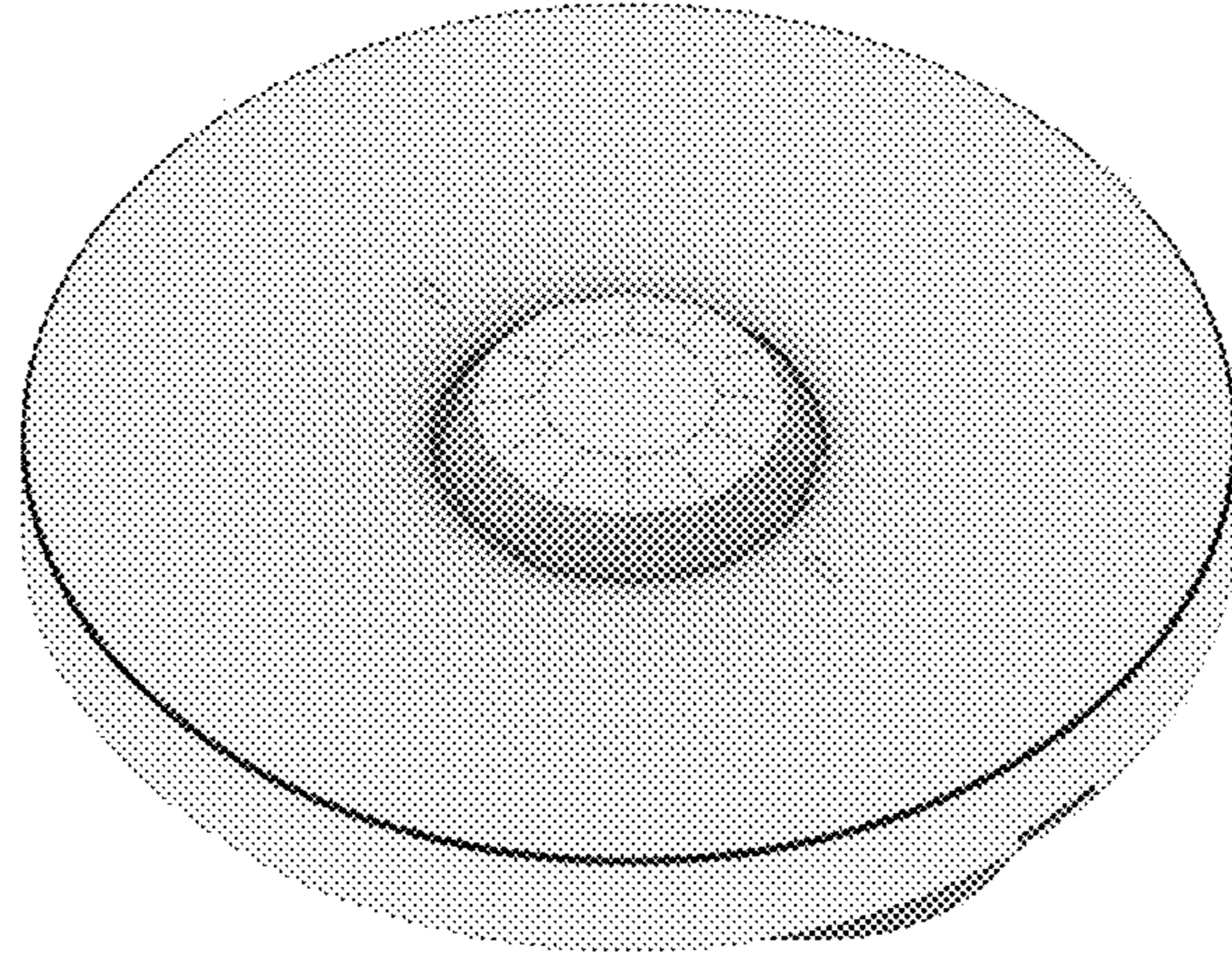


Fig. 7

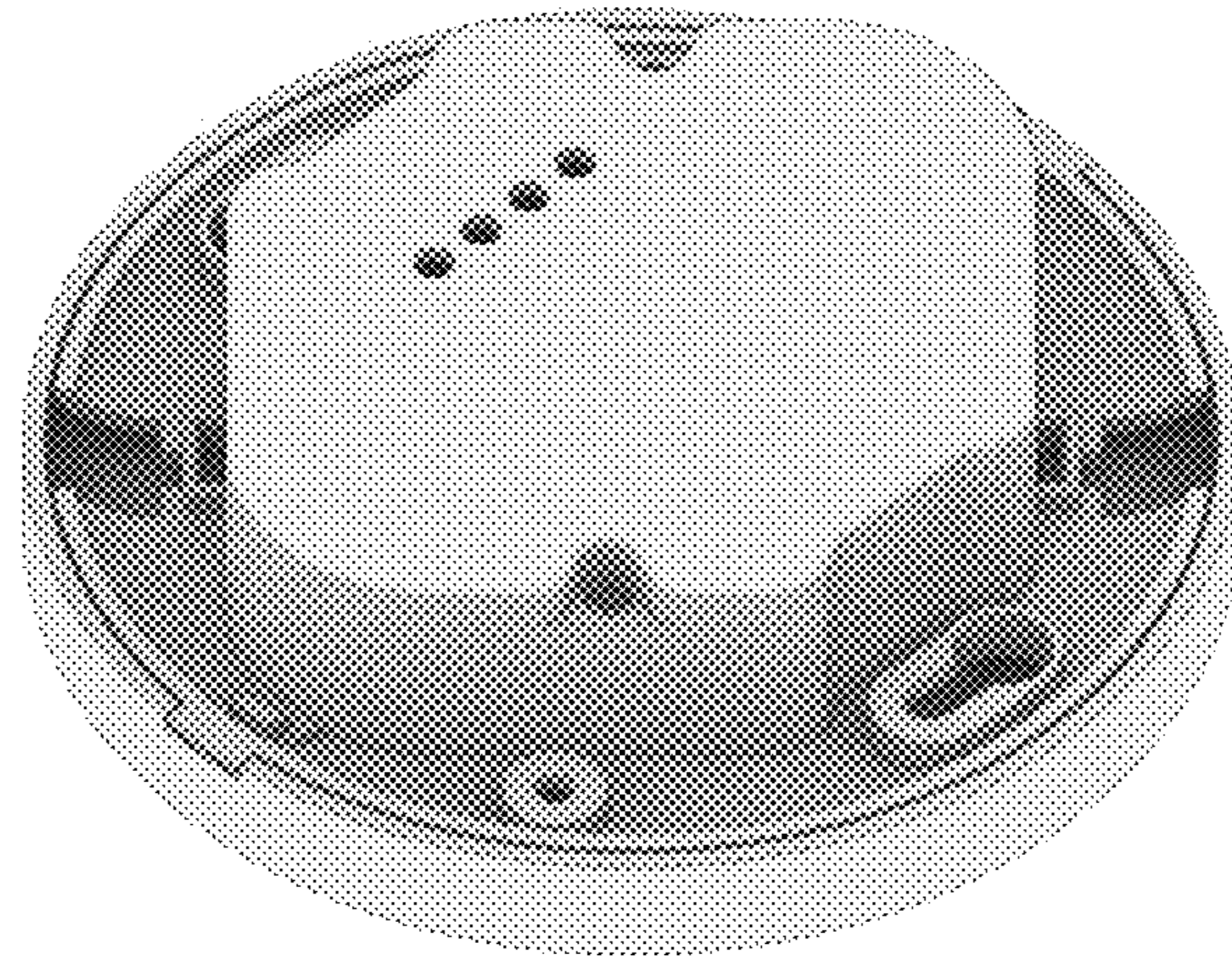


Fig. 8