



US00D939978S

(12) **United States Design Patent** (10) **Patent No.:** **US D939,978 S**
Moore (45) **Date of Patent:** **** *Jan. 4, 2022**

(54) **DUAL SENSOR MOTION DETECTOR**

OTHER PUBLICATIONS

(71) Applicant: **Orange Peel Projects, Inc.**, Walpole, MA (US)

International Search Report and Written Opinion issued for PCT/US2020/039833, dated Nov. 5, 2020, 13 pp.

(72) Inventor: **Tal Moore**, San Diego, CA (US)

* cited by examiner

(73) Assignee: **ORANGE PEEL PROJECTS, INC.**, Walpole, MA (US)

Primary Examiner — Antoine Duval Davis

(74) *Attorney, Agent, or Firm* — Brooks Kushman P.C.

(*) Notice: This patent is subject to a terminal disclaimer.

(57) **CLAIM**

The ornamental design for a dual sensor motion detector, as shown and described.

(**) Term: **15 Years**

DESCRIPTION

(21) Appl. No.: **29/696,647**

(22) Filed: **Jun. 28, 2019**

(51) **LOC (13) Cl.** **10-04**

(52) **U.S. Cl.**

USPC **D10/70; D10/106.6**

(58) **Field of Classification Search**

USPC **D10/70, 106.6**

CPC **G01J 5/0022; G01J 5/10; G01P 13/00; G08B 29/183**

See application file for complete search history.

FIG. 1 is a top-front perspective view of the dual sensor motion detector showing my new design; FIG. 2 is a front elevational view thereof; FIG. 3 is a back elevational view thereof; FIG. 4 is a top plan view thereof; FIG. 5 is a bottom plan view thereof; FIG. 6 is a right side elevational view thereof; FIG. 7 is a left side elevational view thereof; FIG. 8 is a top-back perspective view thereof, shown in an alternate position; FIG. 9 is a top-front perspective view thereof, shown in another alternate position; and, FIG. 10 is a front elevational view thereof, shown in yet another alternate position.

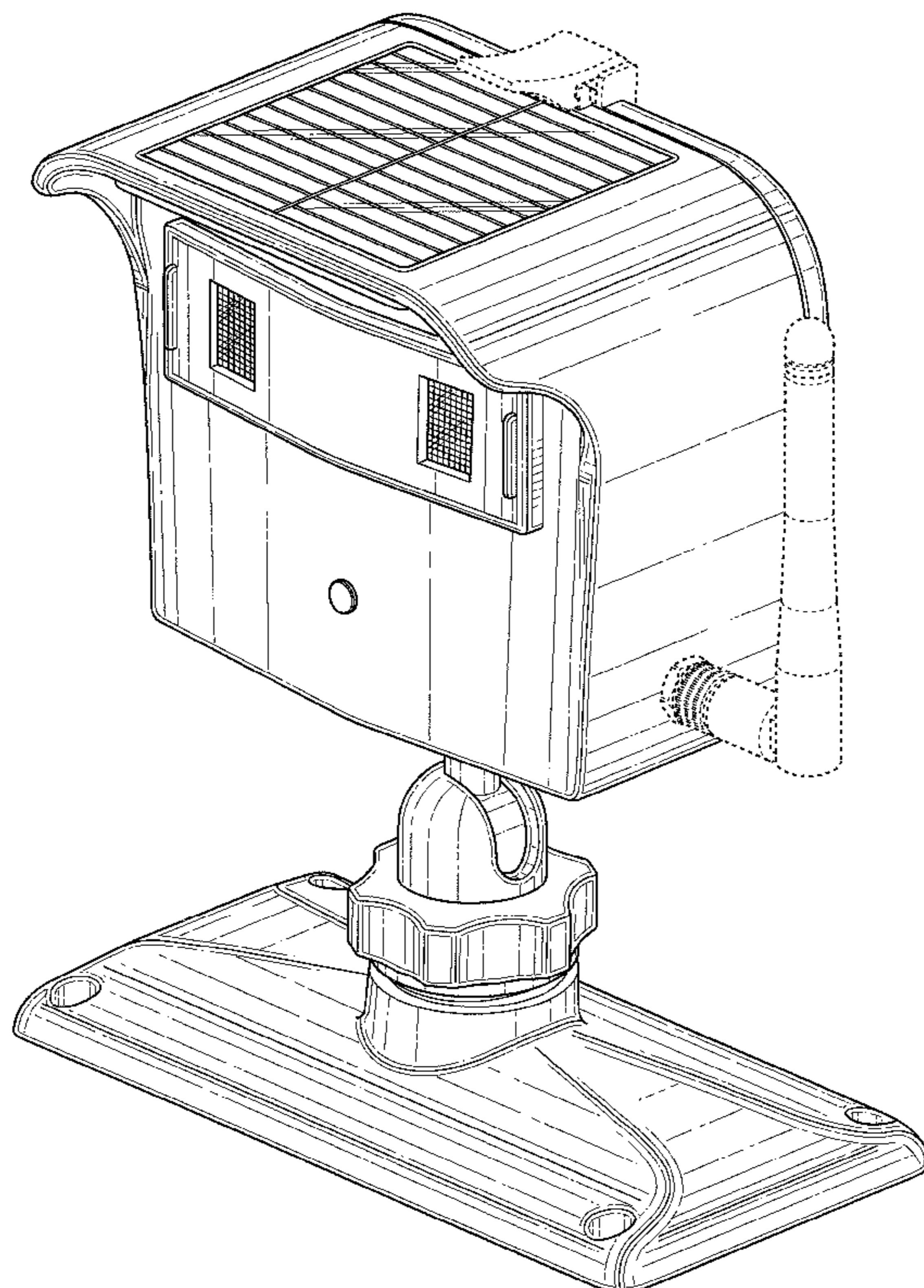
The features in the figures shown in broken lines form no part of the claimed design.

(56) **References Cited**

U.S. PATENT DOCUMENTS

D842,142 S *	3/2019	Recker	D10/70
2002/0020816 A1	2/2002	Leen		
2015/0084517 A1	3/2015	Ayala et al.		
2015/0382432 A1	12/2015	Eskonen et al.		

1 Claim, 9 Drawing Sheets



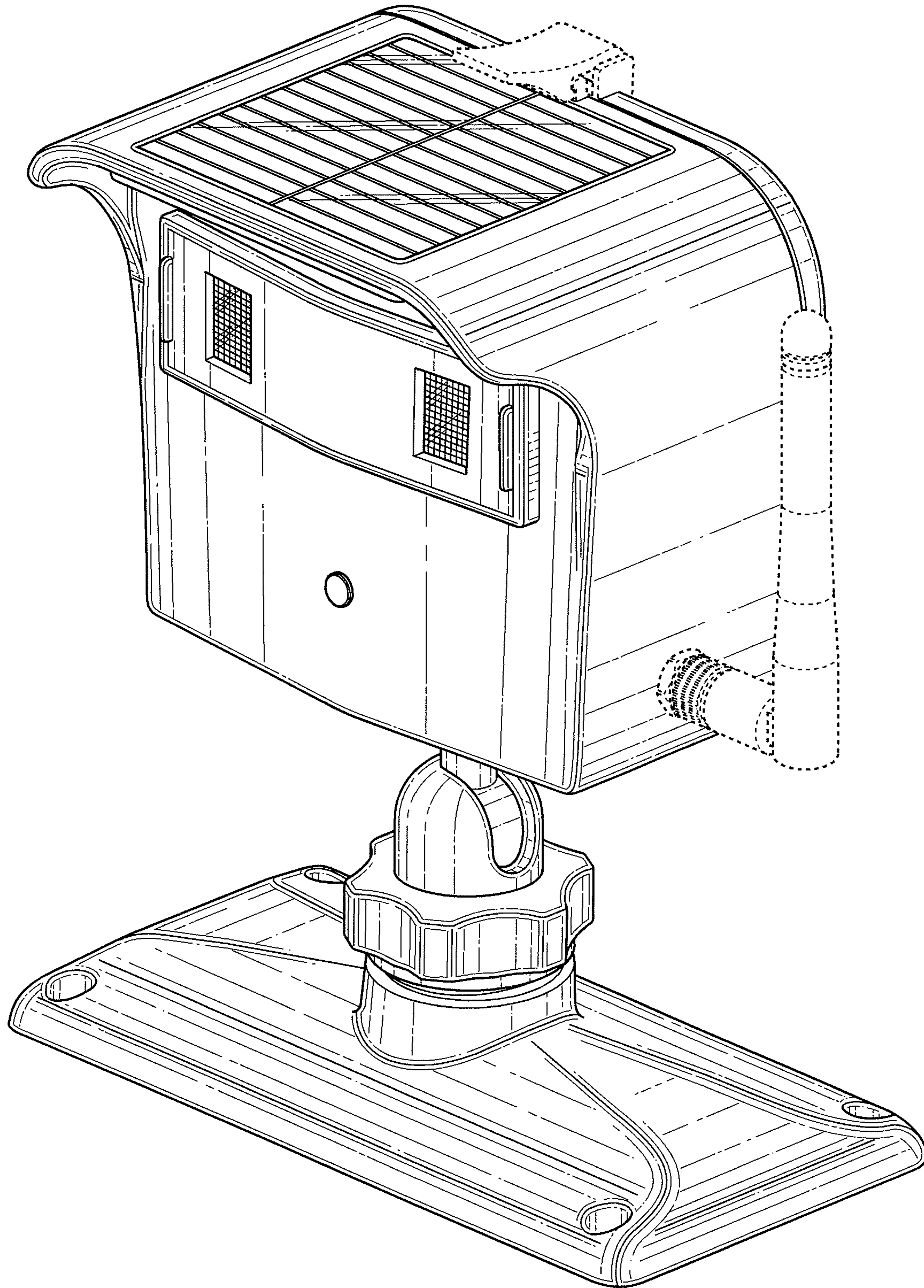


FIG. 1

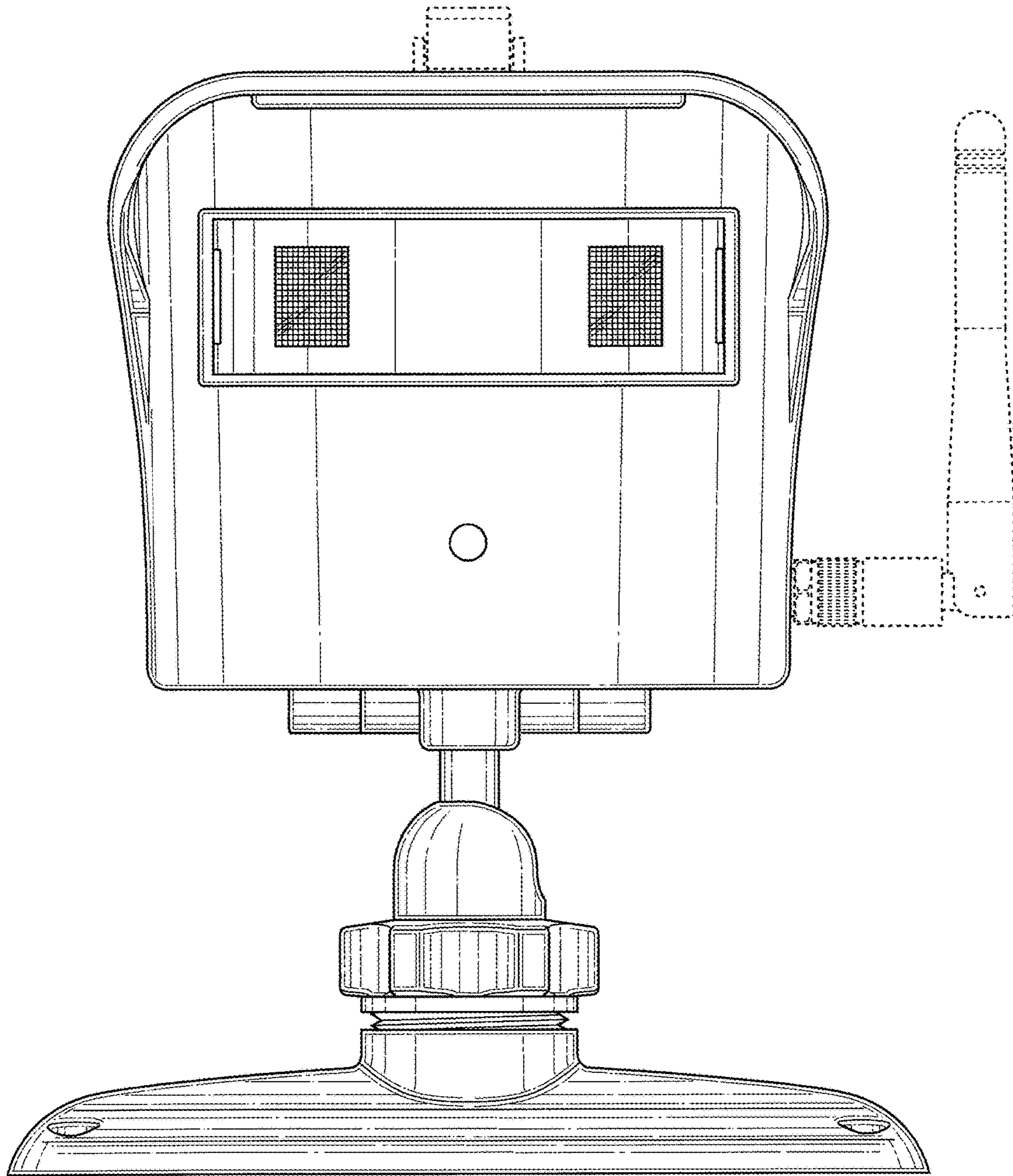


FIG. 2

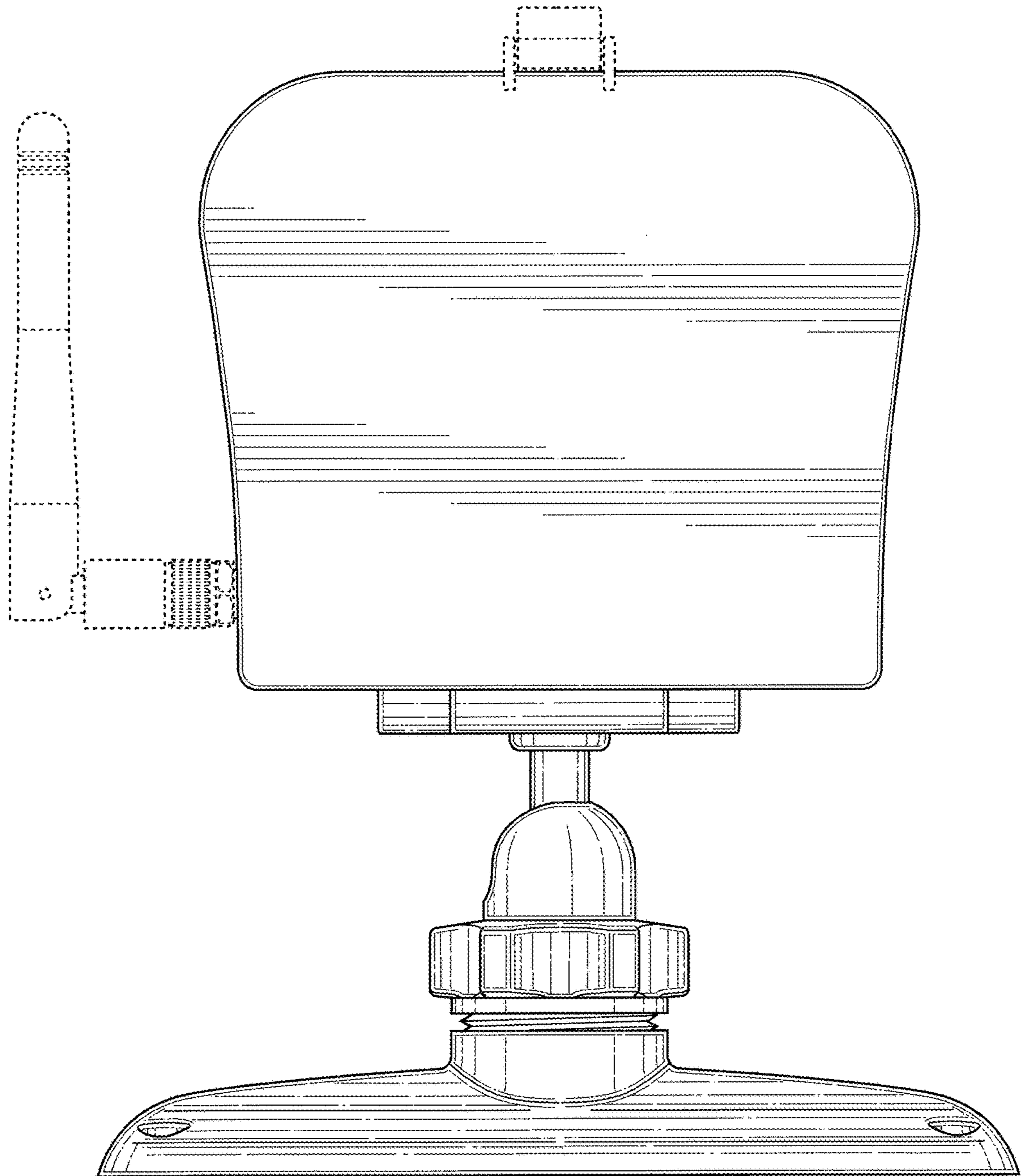


FIG. 3

4/9

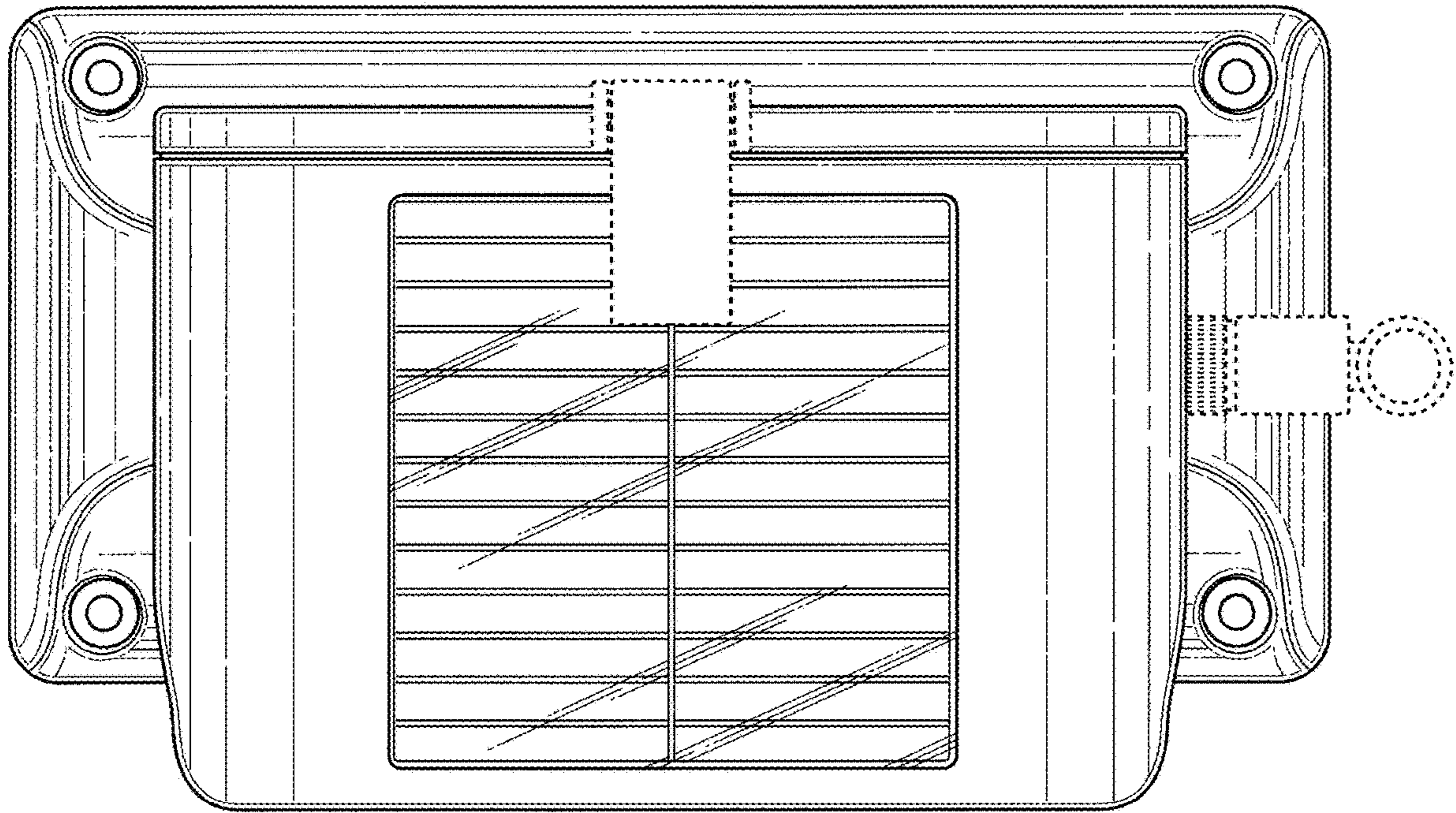


FIG. 4

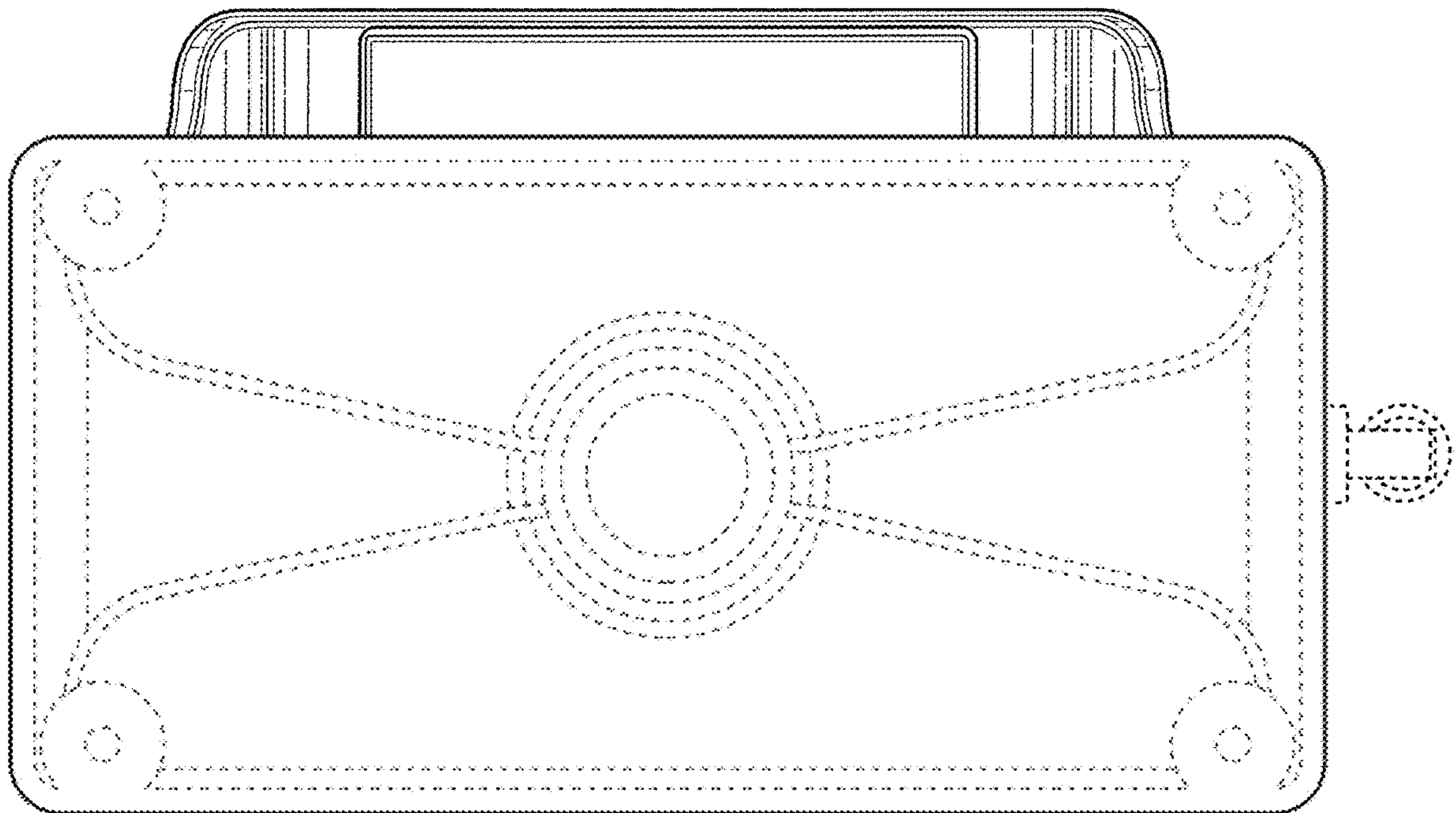


FIG. 5

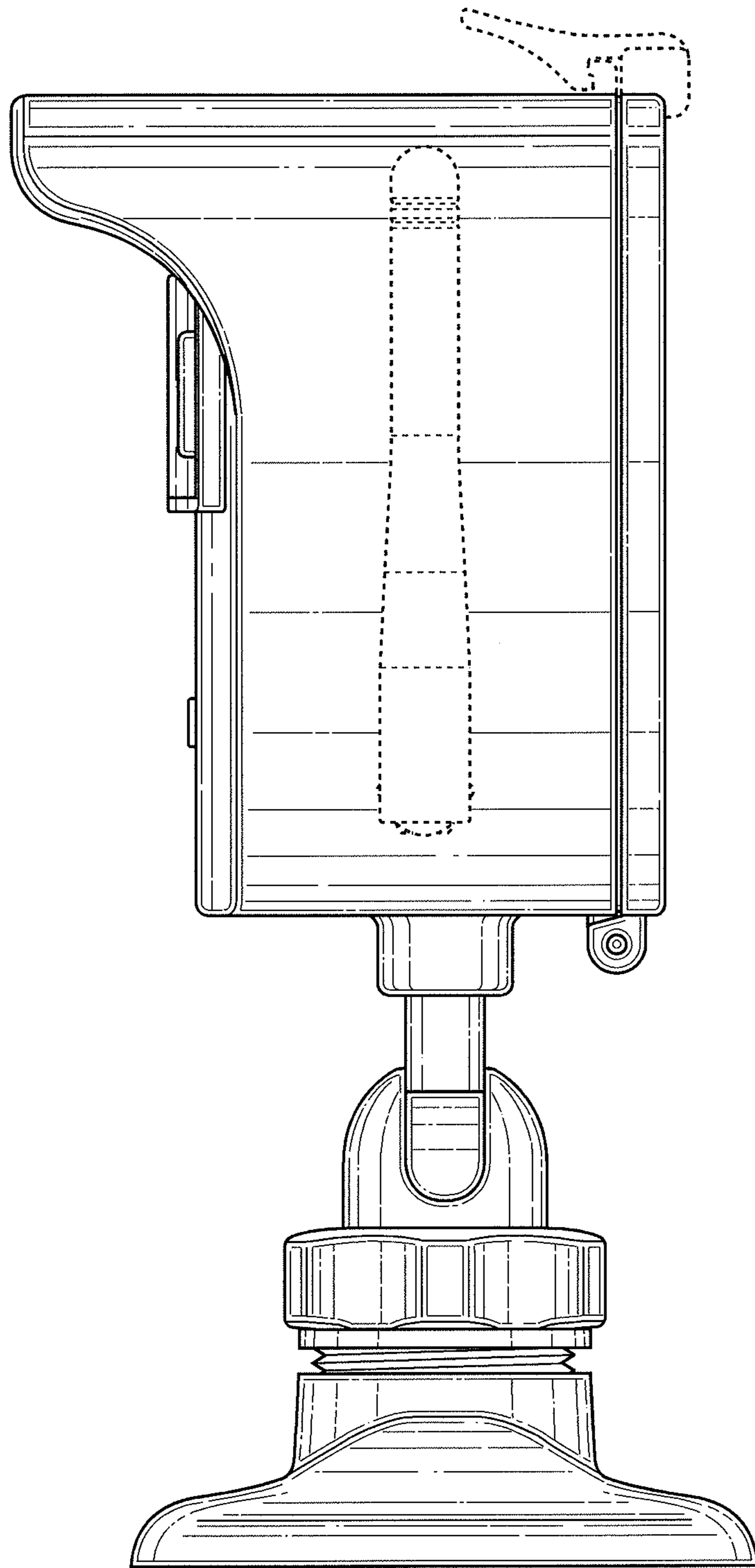


FIG. 6

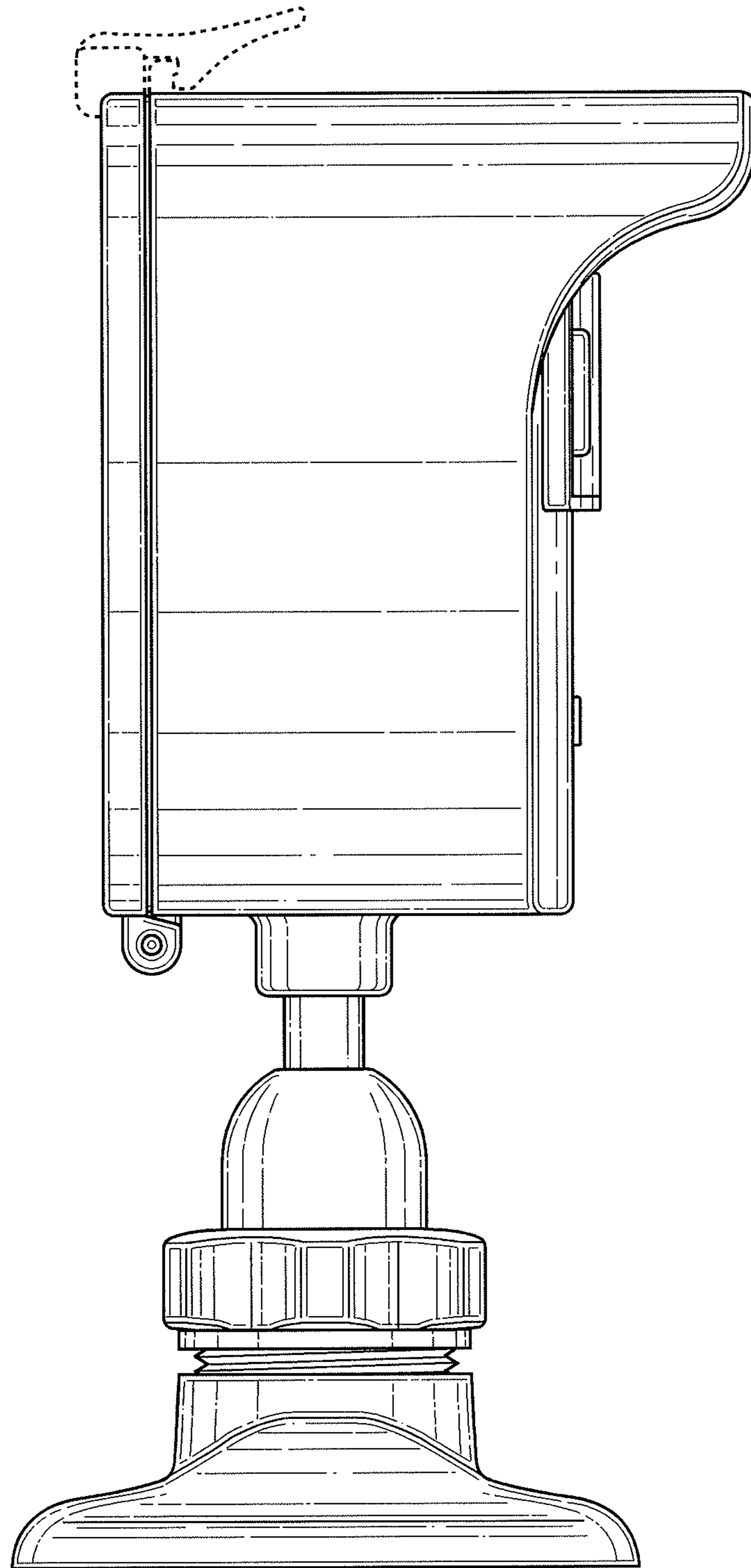


FIG. 7

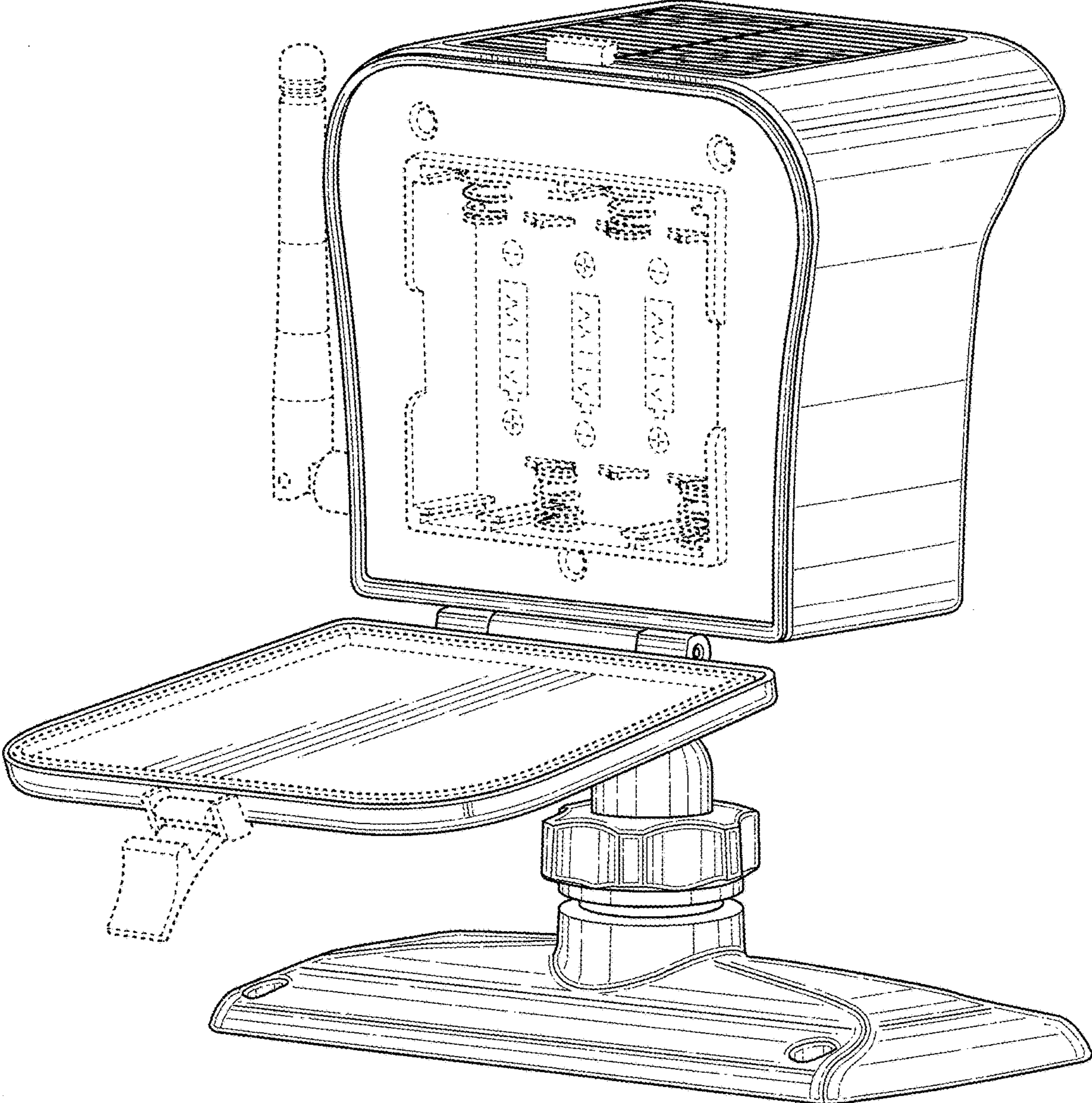


FIG. 8

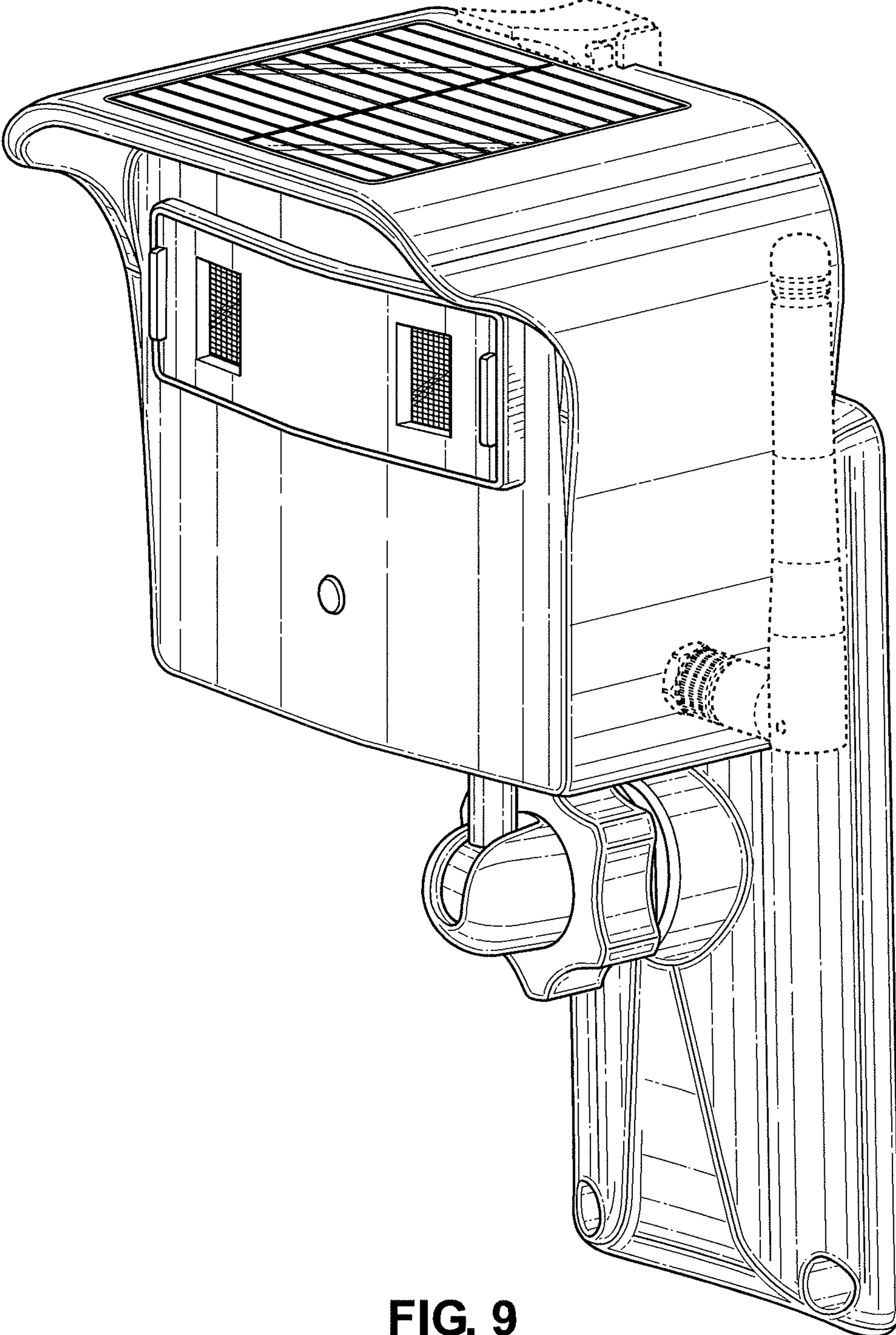


FIG. 9

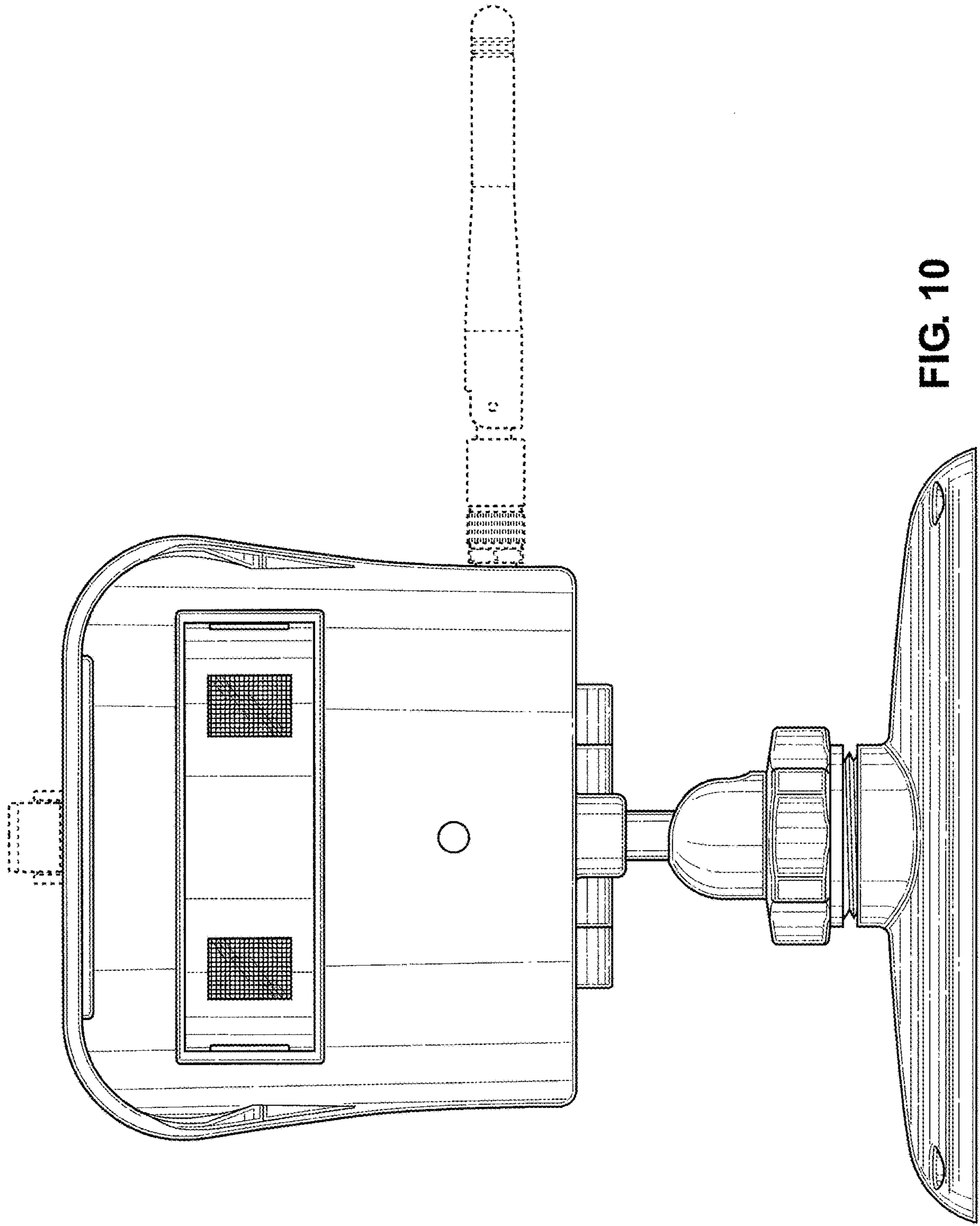


FIG. 10