



US00D939977S

(12) **United States Design Patent**
Chen

(10) **Patent No.:** **US D939,977 S**

(45) **Date of Patent:** **** Jan. 4, 2022**

(54) **MEASURING INSTRUMENT WITH A FAN**

(71) Applicant: **Li-Chuan Chen**, Taipei (TW)

(72) Inventor: **Li-Chuan Chen**, Taipei (TW)

(**) Term: **15 Years**

(21) Appl. No.: **29/709,329**

(22) Filed: **Oct. 14, 2019**

(51) **LOC (13) Cl.** **10-04**

(52) **U.S. Cl.**

USPC **D10/59**; D10/53; D10/78; D10/96

(58) **Field of Classification Search**

USPC D10/53, 59, 78, 96, 97, 98
CPC .. F03B 3/121; F03B 3/062; F03B 3/61; F03D
3/061; F03D 3/062; F03D 3/067; F03D
7/06; F03D 7/022; F03D 7/0232; F03D
1/0675; F03D 1/0633; F05B 2240/301;
F05B 2240/122; F05B 2240/931; F05B
2240/941; F05B 2240/214; F05B
2250/232; F05B 2250/25; F05B 2260/78;
F05B 2260/97; G01P 3/484; G01P 5/07;
G01P 5/02; G01P 5/06; G01P 5/16; G01P
13/02

See application file for complete search history.

(56) **References Cited**

U.S. PATENT DOCUMENTS

6,257,074 B1 * 7/2001 Kellerman G01F 1/115
73/861.94
D461,421 S * 8/2002 Kellerman D10/59

D530,233 S * 10/2006 Janky D10/78
D555,021 S * 11/2007 Rounds D10/78
7,452,127 B2 * 11/2008 Blakely, III G01J 5/02
374/121
D628,105 S * 11/2010 Lee G01F 1/115
D10/96
D651,925 S * 1/2012 Faulkner D10/81
D874,951 S * 2/2020 Chen G01J 5/02
D10/59

* cited by examiner

Primary Examiner — Antoine Duval Davis

(74) *Attorney, Agent, or Firm* — Alan D. Kamrath; Karin
L. Williams; Mayer & Williams PC

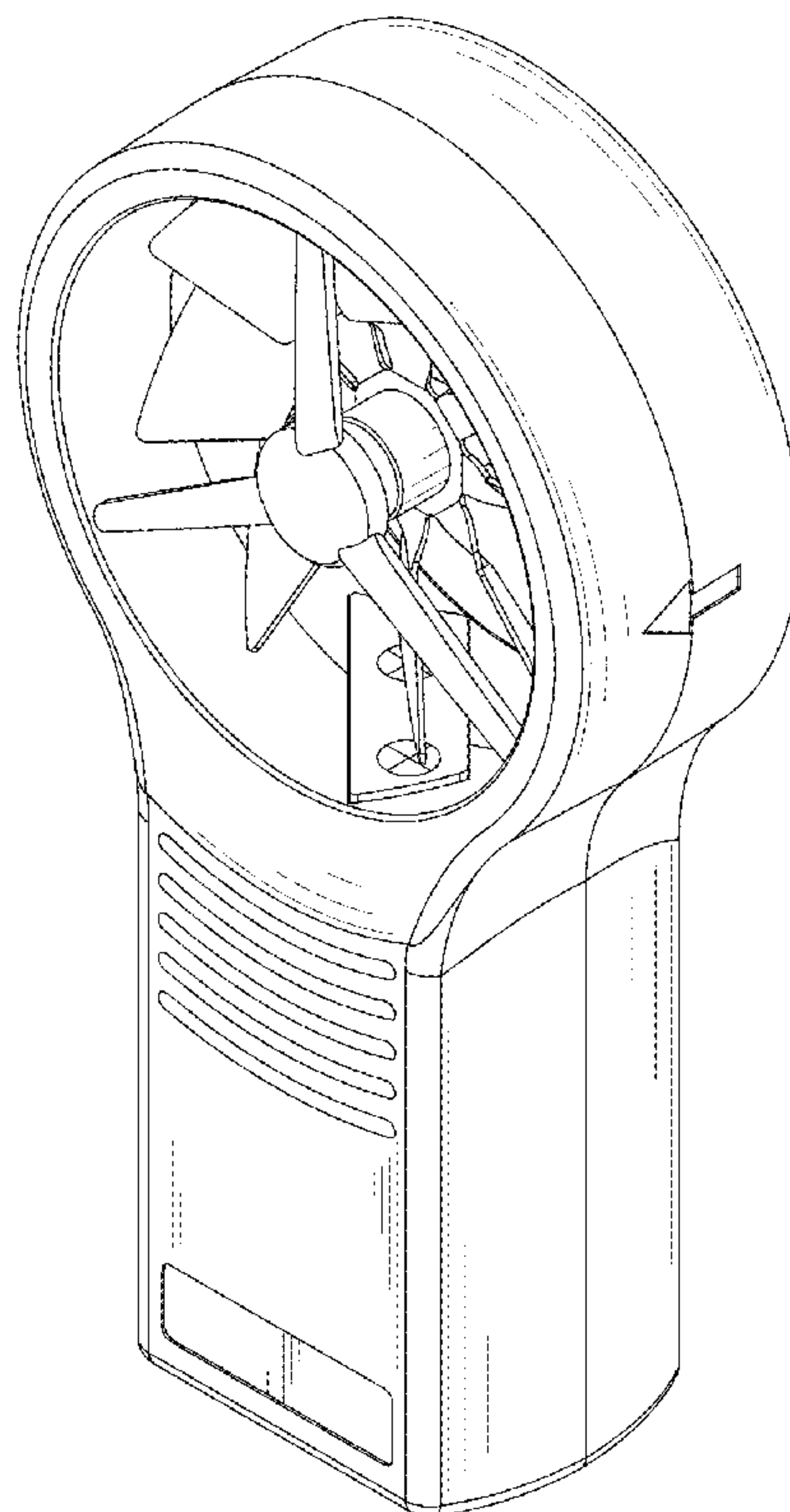
(57) **CLAIM**

The ornamental design for a measuring instrument with a fan, as shown.

DESCRIPTION

FIG. 1 is a perspective view of a measuring instrument with a fan showing my new design;
FIG. 2 is a front view thereof;
FIG. 3 is a rear view thereof;
FIG. 4 is a left side view thereof;
FIG. 5 is a right side view thereof;
FIG. 6 is a top view thereof; and,
FIG. 7 is a bottom view thereof.
In the drawings, the broken lines are shown for illustrative purposes only and form no part of the claimed design.

1 Claim, 7 Drawing Sheets



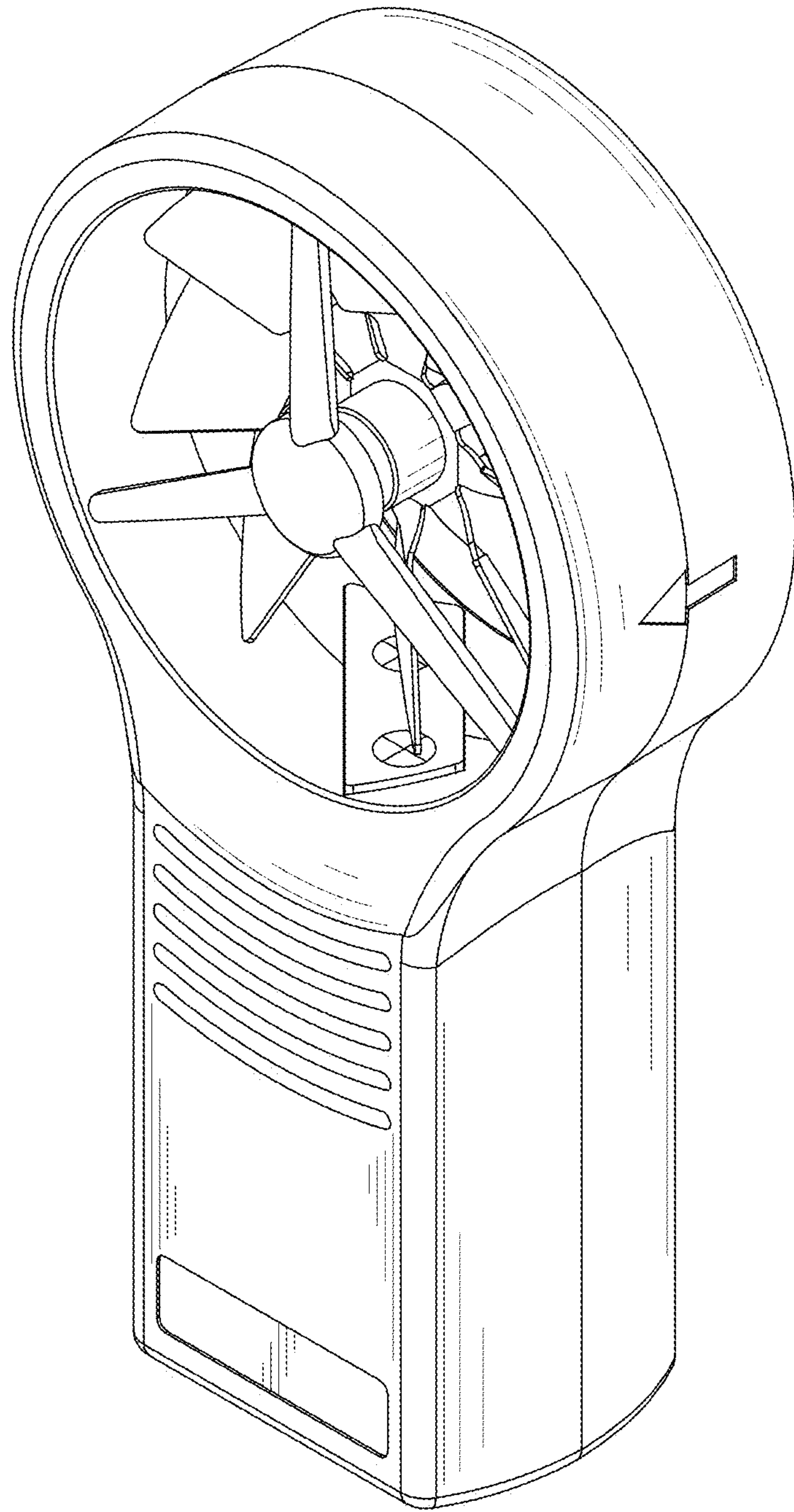


FIG. 1

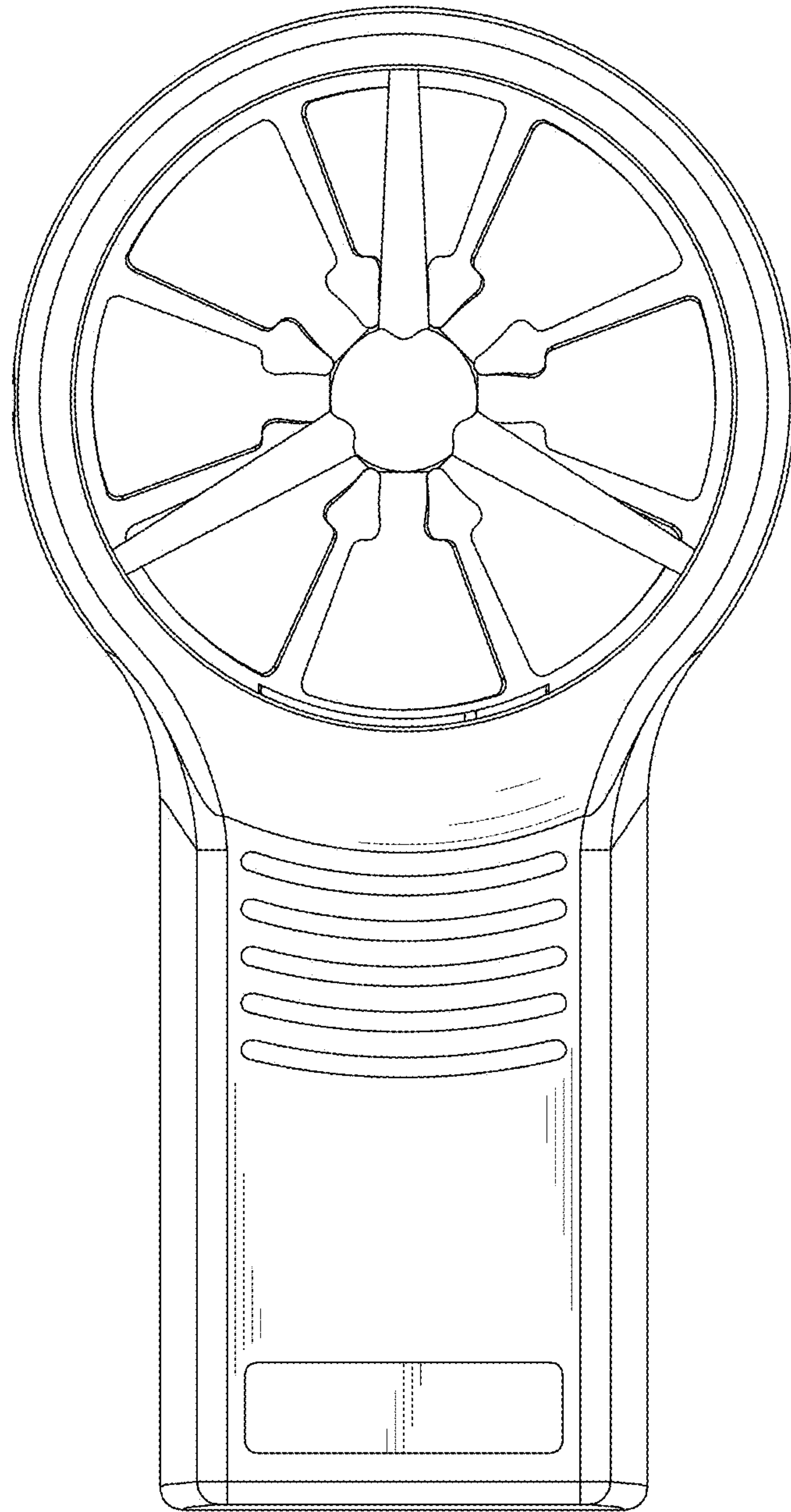


FIG. 2

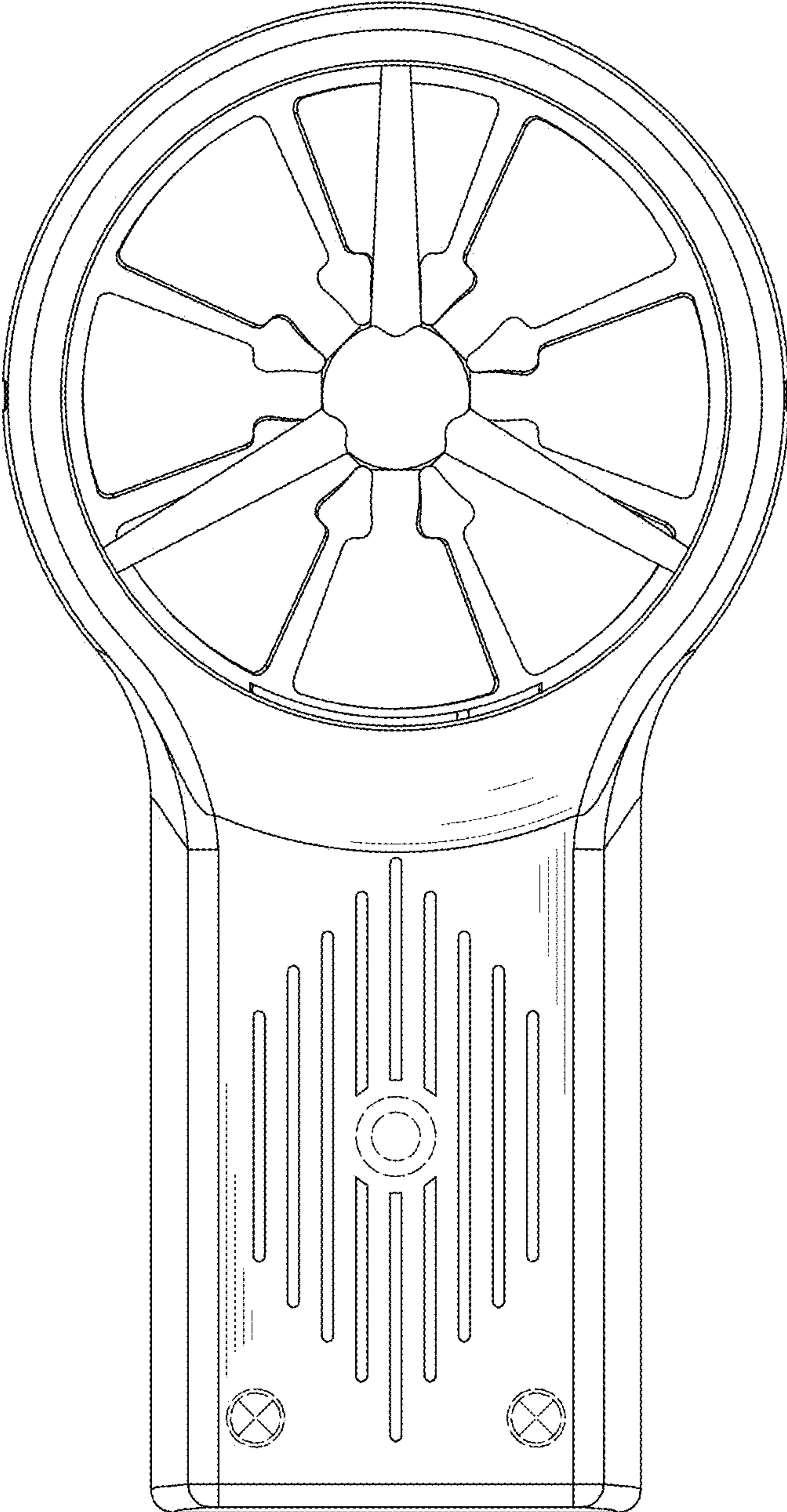


FIG. 3

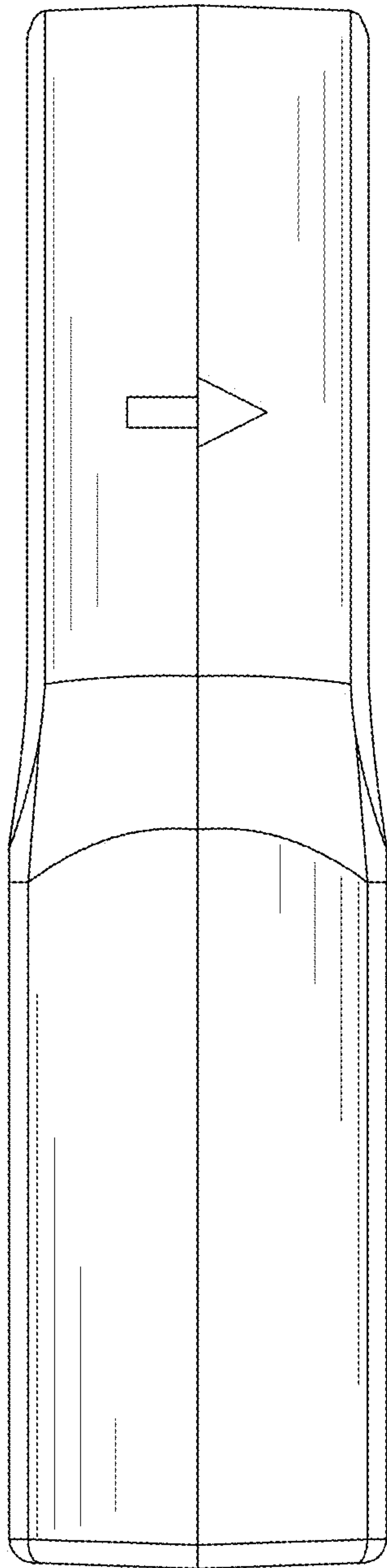


FIG. 4

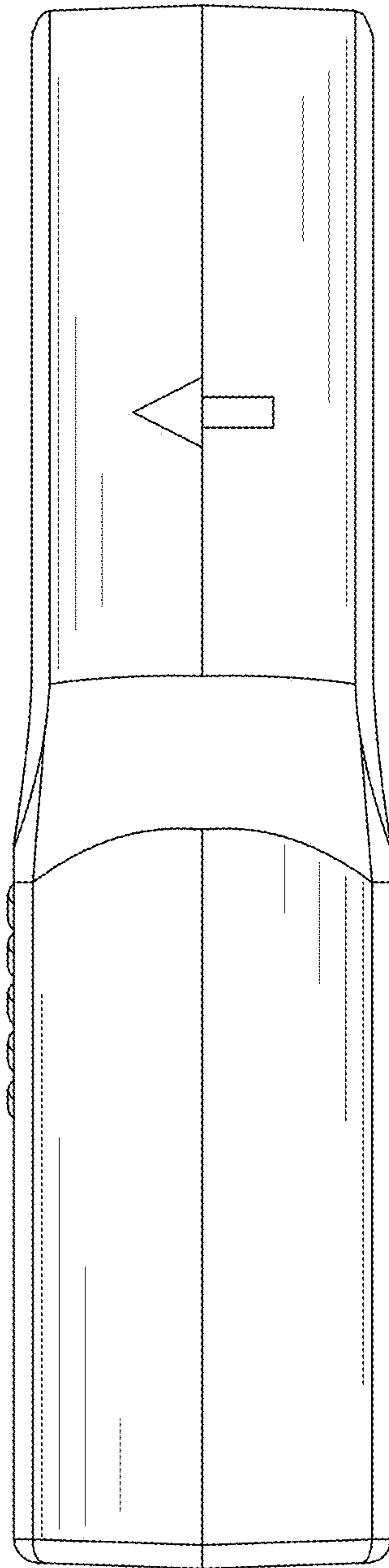


FIG. 5

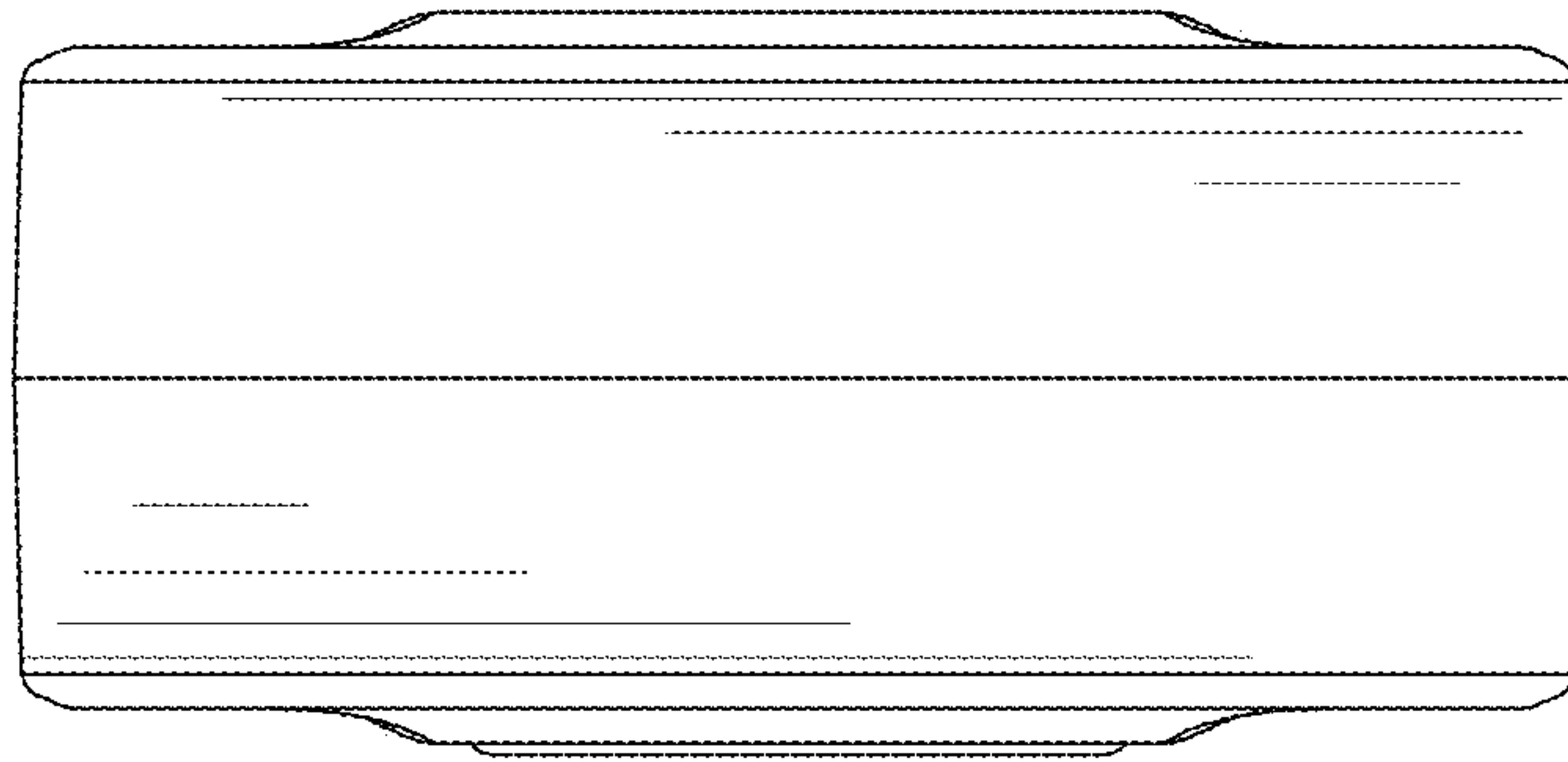


FIG. 6

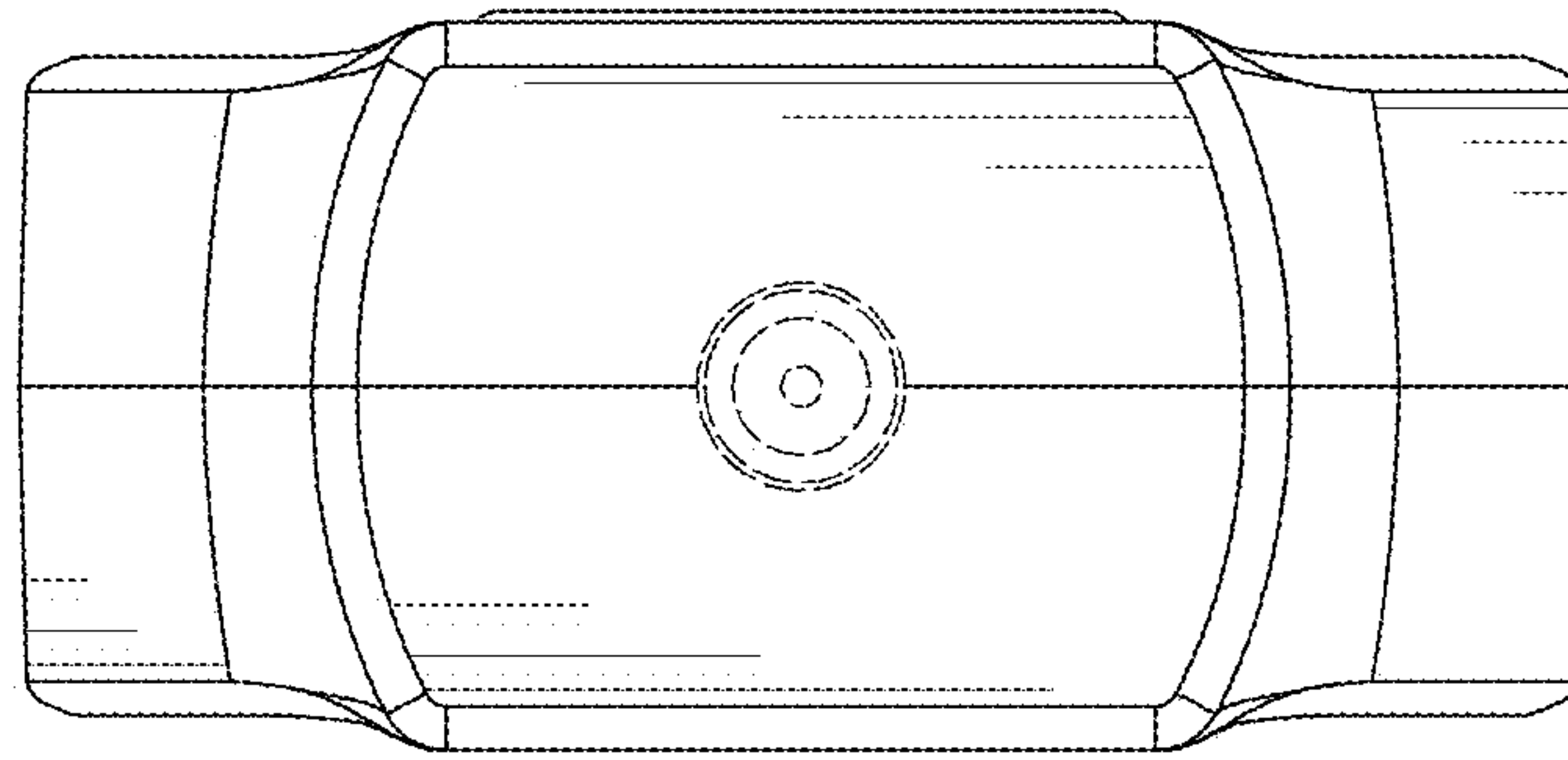


FIG. 7