



US00D939975S

(12) **United States Design Patent**
Gong et al.

(10) **Patent No.:** **US D939,975 S**
(45) **Date of Patent:** **** Jan. 4, 2022**

(54) **THERMO-HYGROMETER**
(71) Applicant: **Shenzhen Intellirocks Tech. Co., Ltd,**
Shenzhen (CN)

D883,817 S * 5/2020 Gong D10/56
D896,106 S * 9/2020 Gong D10/56
D897,227 S * 9/2020 Xu D10/101

(72) Inventors: **Cheng Gong**, Shenzhen (CN);
Wenlong Wu, Shenzhen (CN)
(73) Assignee: **Shenzhen Intellirocks Tech. Co., Ltd,**
Shenzhen (CN)

OTHER PUBLICATIONS

Govee Smart Hygrometer, Wireless Thermometer Amazon.ca <https://www.amazon.ca/Govee-Bluetooth-Thermometer-Hygrometer-Temperature/dp/B07R586J37> First Available Jun. 11, 2019 (Year: 2019).*
Govee Mini Hygrometer YouTube <https://www.youtube.com/watch?v=MFillt1l8JY> Posted Jul. 6, 2019 (Year: 2019).*

(**) Term: **15 Years**

* cited by examiner

(21) Appl. No.: **29/707,091**

Primary Examiner — Leanne Was-Englehart

(22) Filed: **Sep. 26, 2019**

(74) *Attorney, Agent, or Firm* — W&G Law Group

(30) **Foreign Application Priority Data**

(57) **CLAIM**

Jun. 14, 2019 (CN) 201930308823.4

The ornamental design for a thermo-hygrometer, as shown and described.

(51) **LOC (13) Cl.** **10-04**

DESCRIPTION

(52) **U.S. Cl.**
USPC **D10/52**

(58) **Field of Classification Search**
USPC D10/49, 50, 51, 52, 53, 56, 57
CPC G01N 27/00; G01N 27/048; G01N 27/121;
G01N 27/123; G01N 17/00; G01N 19/10;
G01D 11/245
See application file for complete search history.

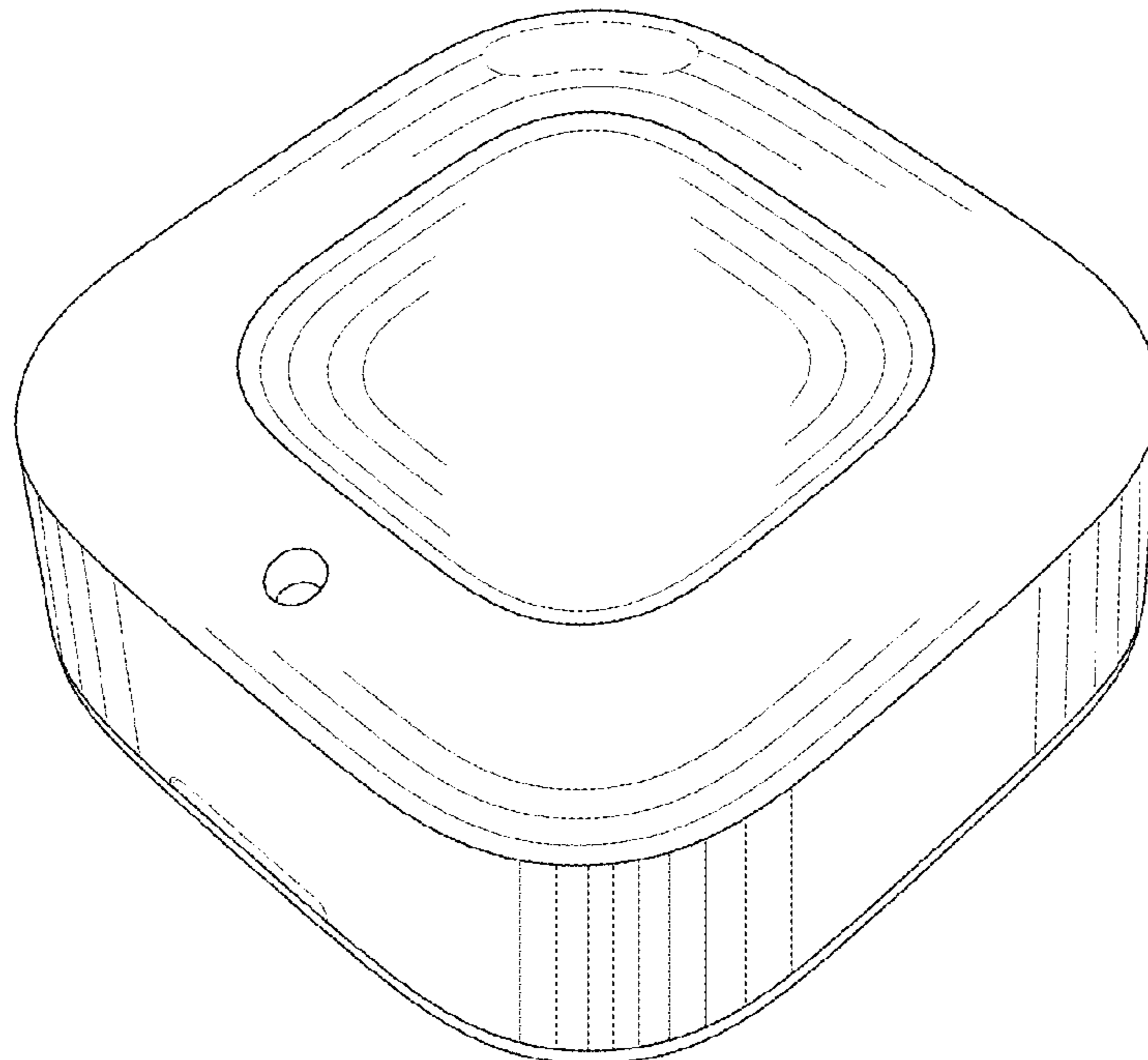
FIG. 1 is a first perspective view of a thermo-hygrometer showing the new design;
FIG. 2 is a second perspective view of the thermo-hygrometer showing the new design;
FIG. 3 is a front view thereof;
FIG. 4 is a rear view thereof;
FIG. 5 is a left view thereof;
FIG. 6 is a right view thereof;
FIG. 7 is a top view thereof; and,
FIG. 8 is a bottom view thereof.
The broken lines in the drawings show portions of the thermo-hygrometer which form no part of the claimed design.

(56) **References Cited**

U.S. PATENT DOCUMENTS

D319,403 S * 8/1991 Tiedemann D10/50
D536,274 S * 2/2007 Rosenblatt D10/106.2
D830,861 S * 10/2018 McNealy D10/56
D881,827 S * 4/2020 Chouji D13/168

1 Claim, 8 Drawing Sheets



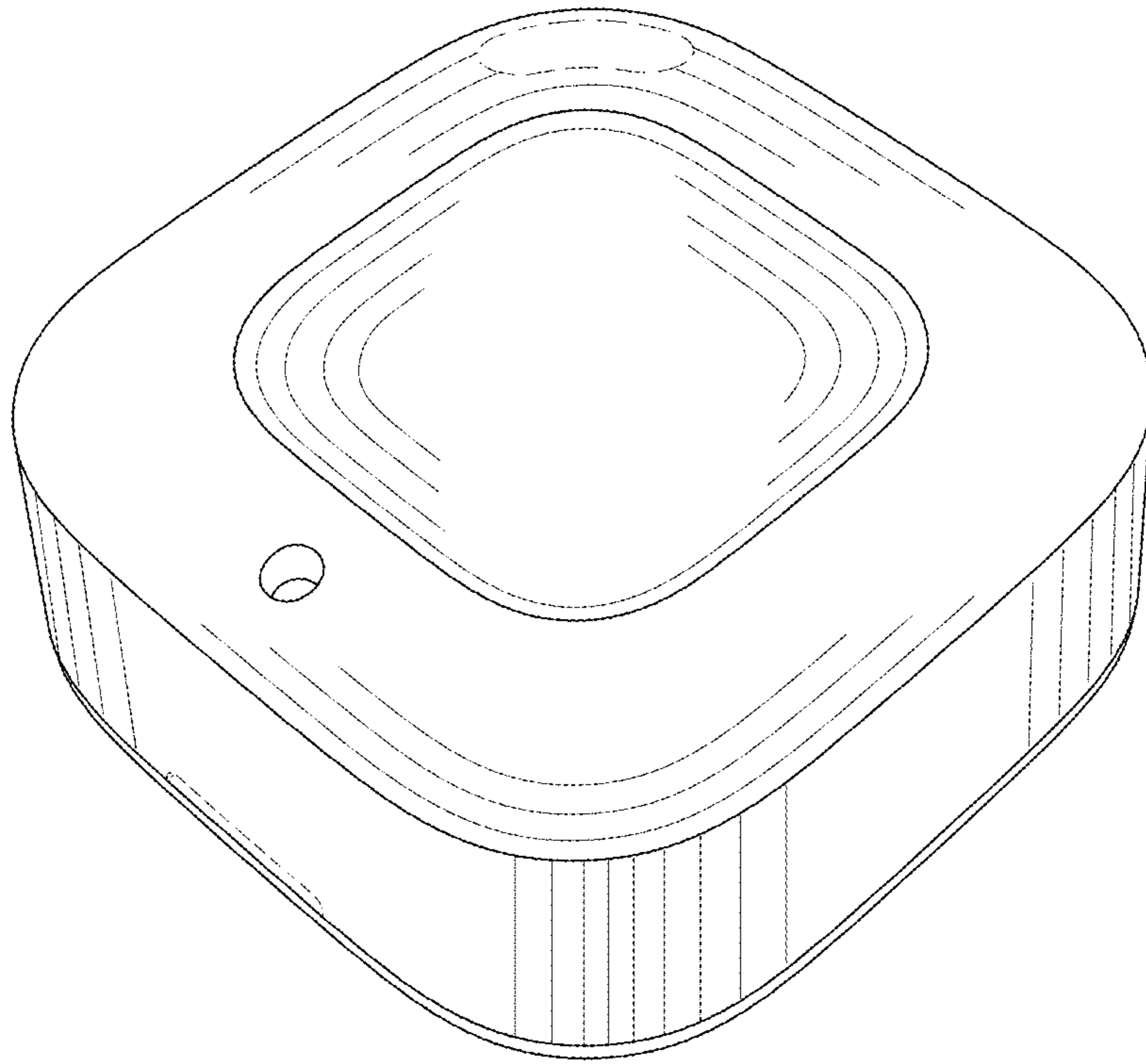


FIG. 1

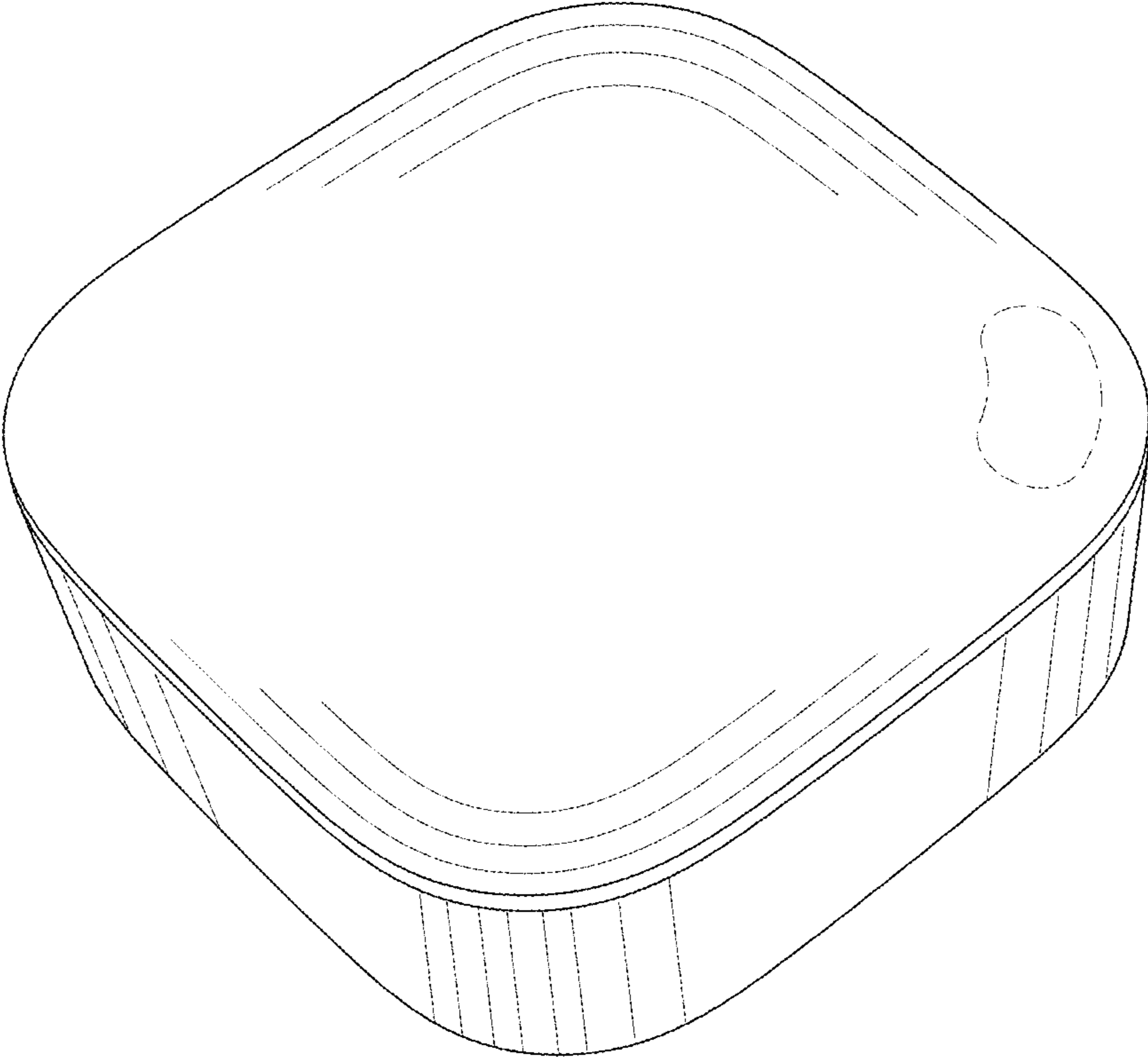


FIG. 2

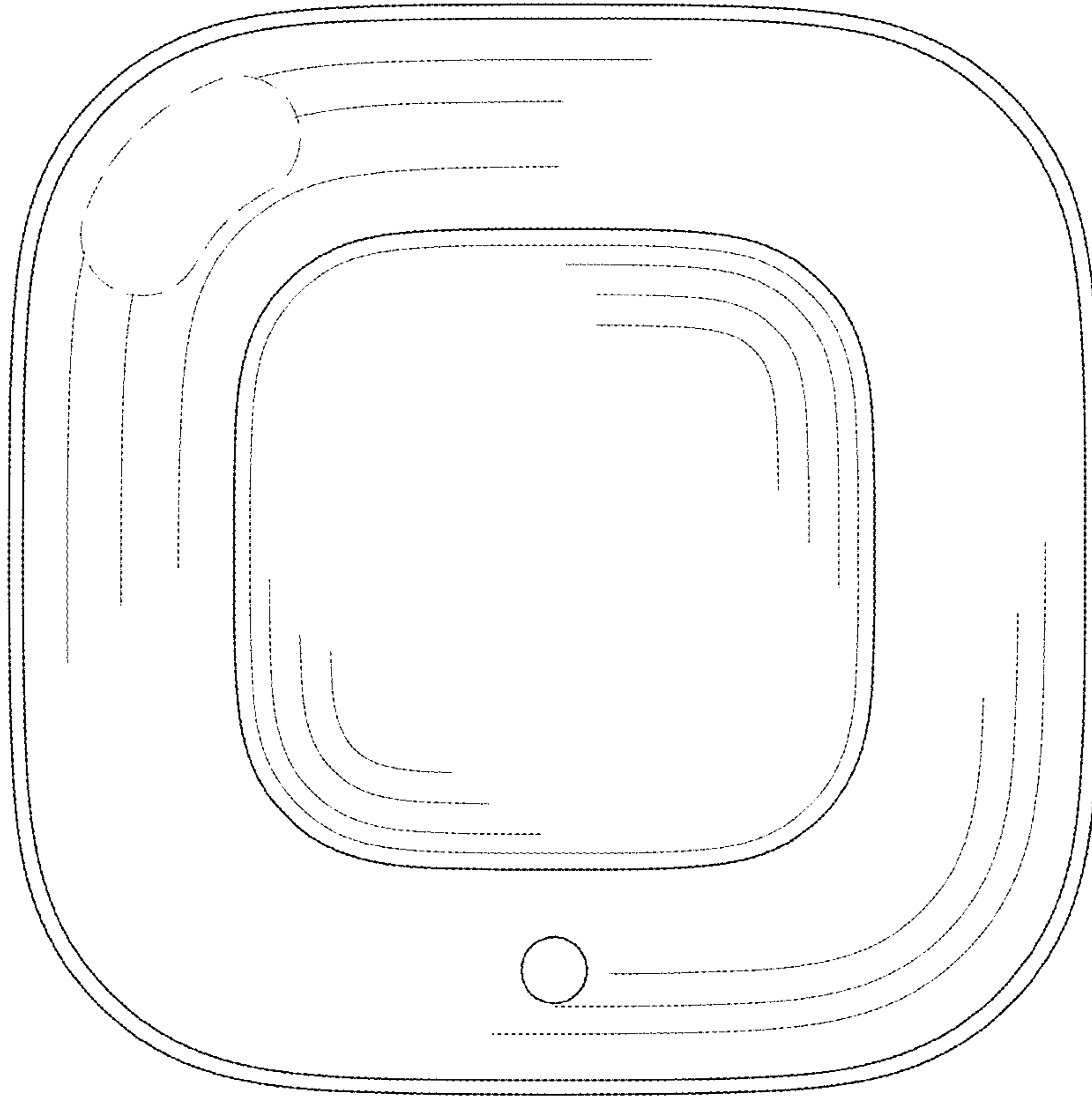


FIG. 3

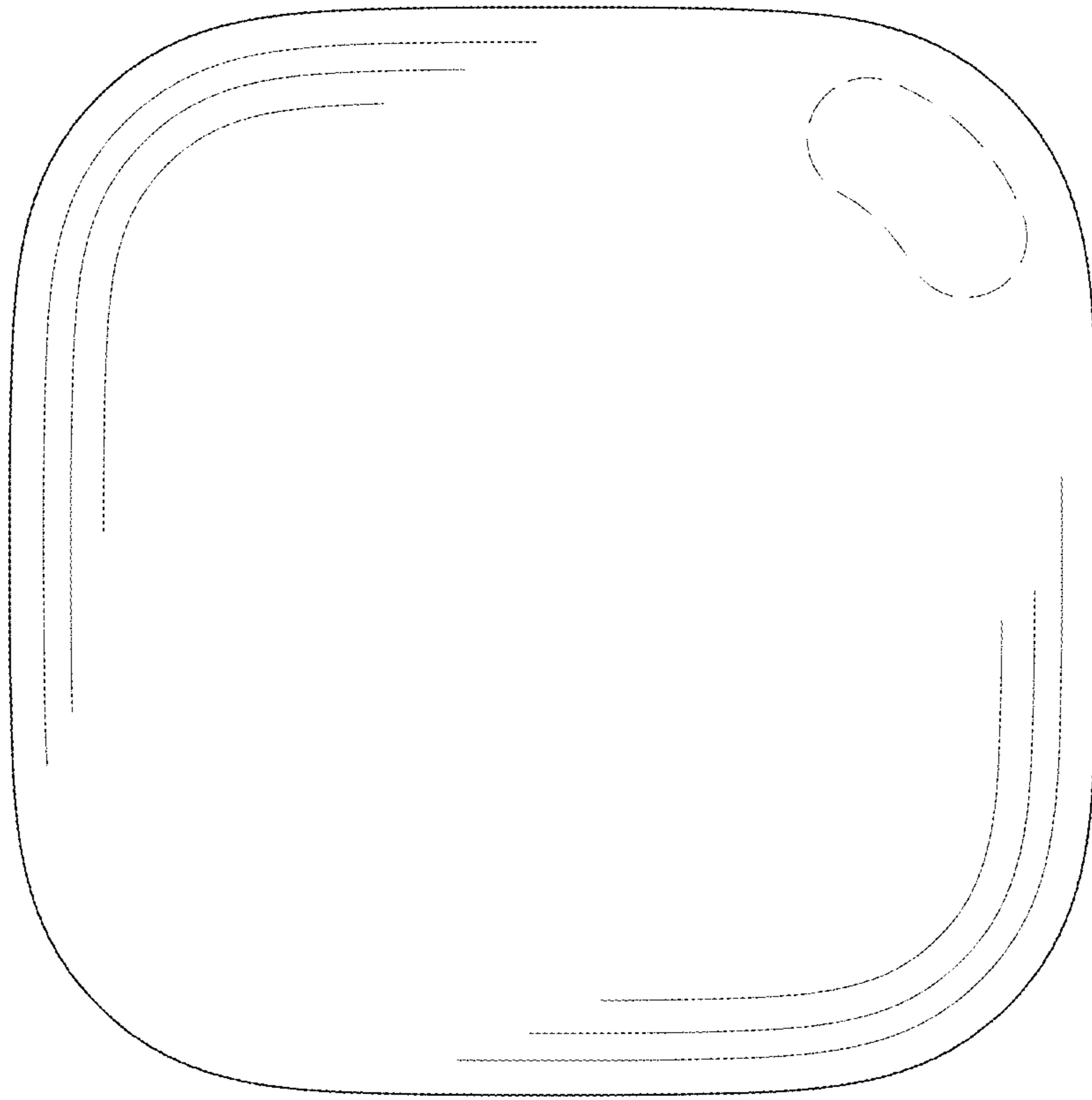


FIG. 4

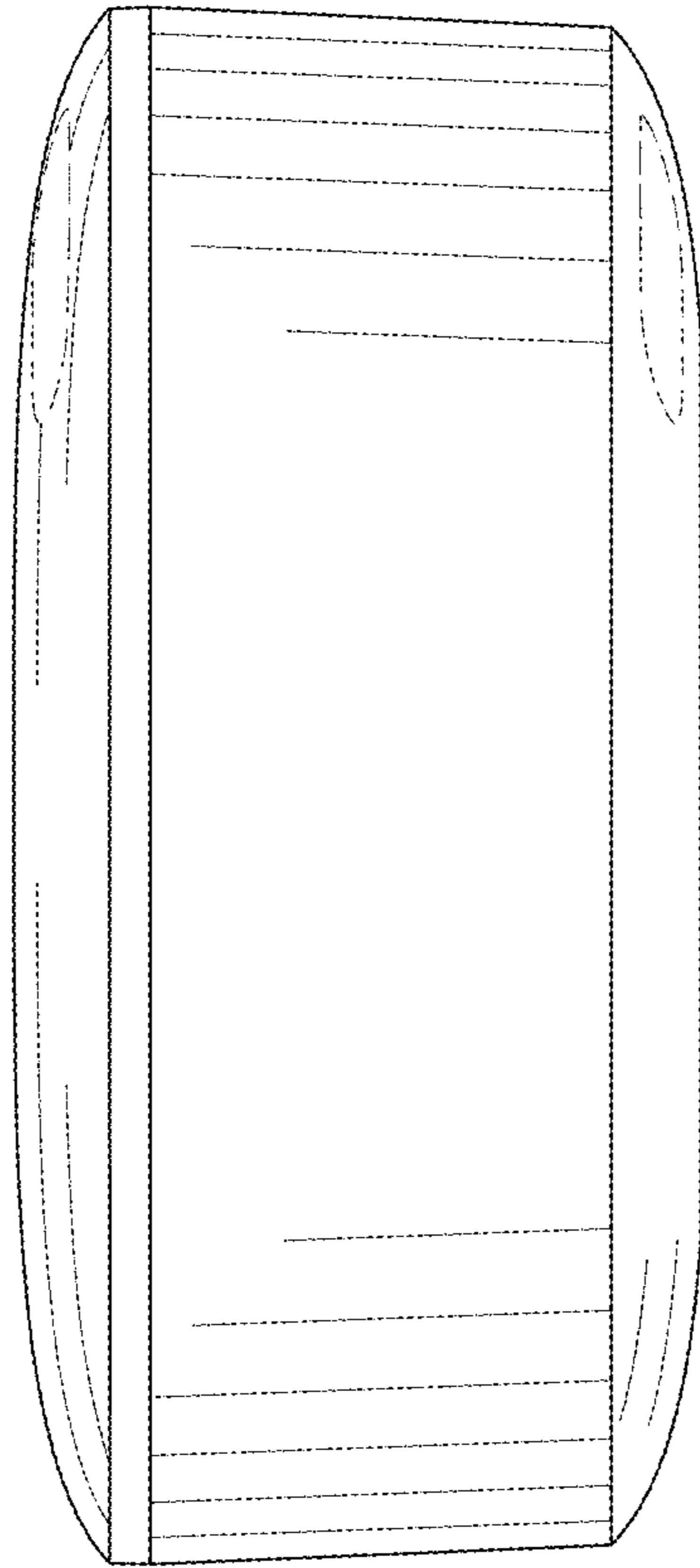


FIG. 5

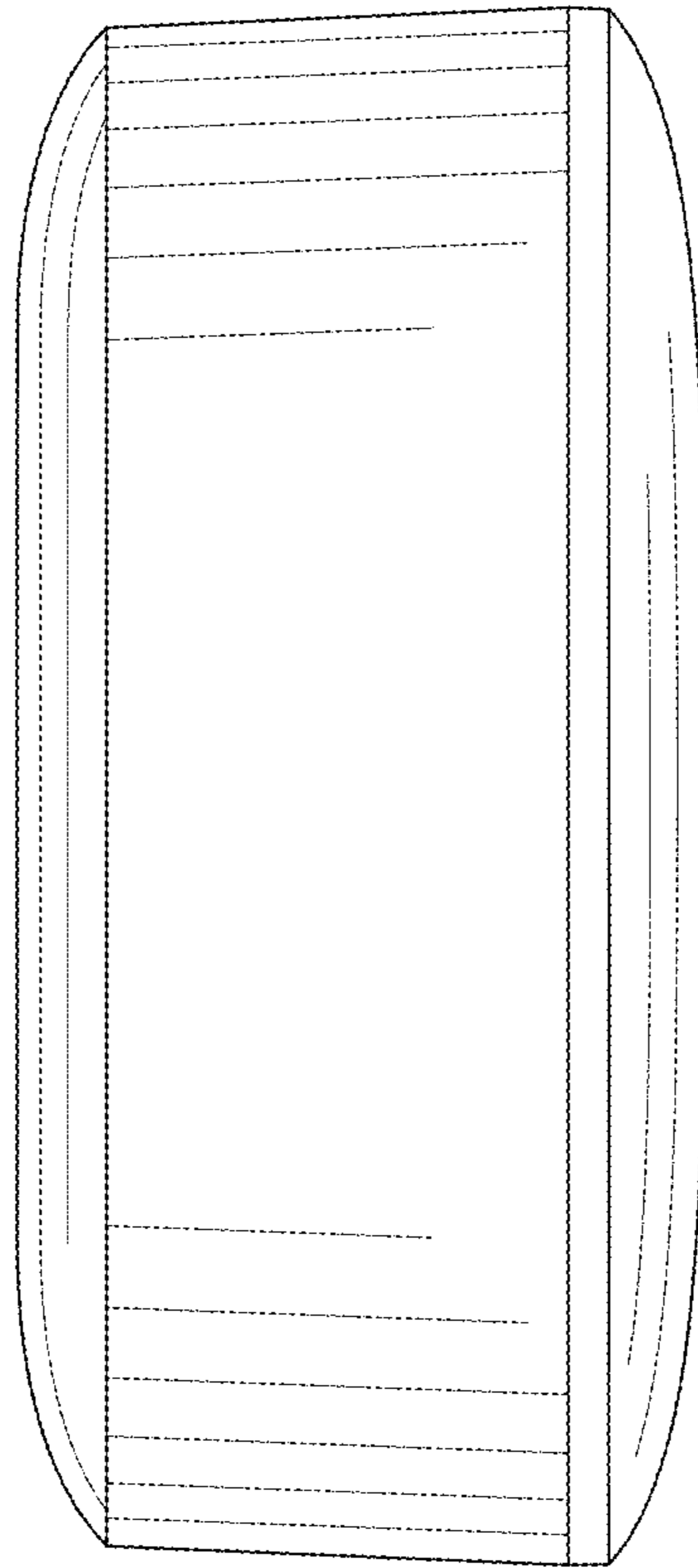


FIG. 6

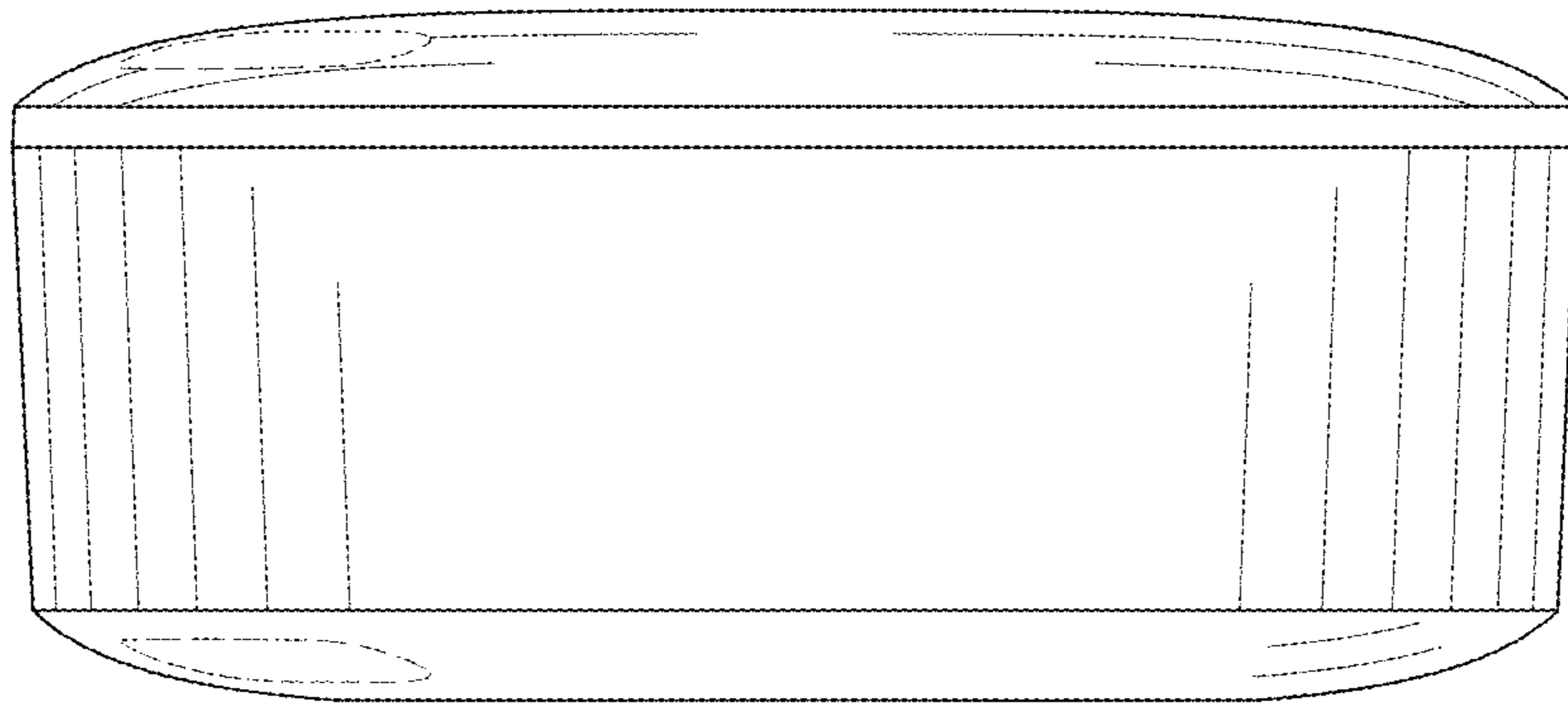


FIG. 7

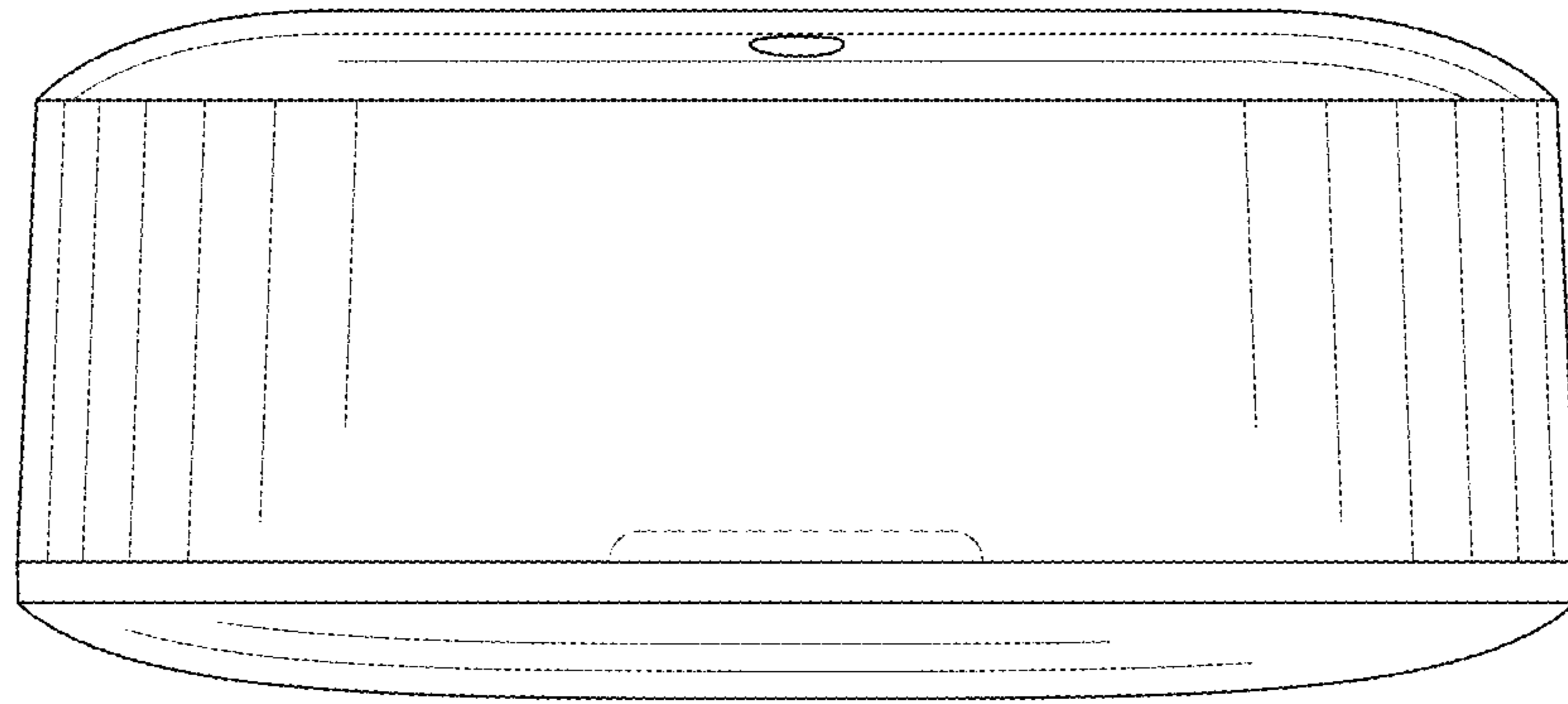


FIG. 8