



US00D939968S

(12) **United States Design Patent** (10) **Patent No.:** **US D939,968 S**
Zhao (45) **Date of Patent:** **** Jan. 4, 2022**

(54) **COMBINED NIGHT LIGHT AND ALARM CLOCK**

(71) Applicant: **SHENZHEN SHENGONG CREATED TECHNOLOGY CO., LTD**, Shenzhen (CN)

(72) Inventor: **Minghao Zhao**, Shenzhen (CN)

(73) Assignee: **SHENZHEN SHENGONG CREATED TECHNOLOGY CO., LTD**, Shenzhen (CN)

(**) Term: **15 Years**

(21) Appl. No.: **29/778,570**

(22) Filed: **Apr. 14, 2021**

(51) **LOC (13) Cl.** **10-01**

(52) **U.S. Cl.**
USPC **D10/5; D10/15; D14/171; D26/54**

(58) **Field of Classification Search**
USPC **D10/1-2, 5, 6, 10, 15, 22, 23, 28; D14/170-172, 175, 188; D26/24, 26, 51, D26/52, 54, 57, 93, 94, 106, 112**
CPC **G04B 21/00; G04C 21/00; G04C 21/16; G04C 21/18; G04G 13/028; G04G 17/00; G04G 17/08; G04G 17/086; F21V 33/0056**

See application file for complete search history.

(56) **References Cited**

U.S. PATENT DOCUMENTS

4,029,954 A * 6/1977 Moyer F21L 4/085
362/183
D312,414 S * 11/1990 Wada D10/1
D326,726 S * 6/1992 Swain, Jr.
D460,919 S * 7/2002 Micinilio D10/1
D468,216 S * 1/2003 Hsu D10/15
D475,932 S * 6/2003 Li D10/12
D486,073 S * 2/2004 Morgan D10/15
D883,558 S * 5/2020 Zhao D26/106

D885,203 S 5/2020 Chen
D890,406 S * 7/2020 Chen D26/104
D897,027 S * 9/2020 Wu D26/107
D900,376 S * 10/2020 Wang D26/104
D901,747 S * 11/2020 Lin D26/94
D901,750 S * 11/2020 Fan D26/106
D905,316 S * 12/2020 Bie D26/93
D923,236 S * 6/2021 Chen D26/93

(Continued)

FOREIGN PATENT DOCUMENTS

CN 202130191093.1 * 4/2021

OTHER PUBLICATIONS

Geefawa Wakeup Light | amazon.com; date first available Aug. 6, 2021 [online]. © 1996-2021, Amazon.com, Inc [retrieved Nov. 16, 2021] from Internet: <https://www.amazon.com/dp/B09C1RFBK89?ref=vse_pfo_vdp> (Year: 2021).*

Primary Examiner — Katherine Glennon

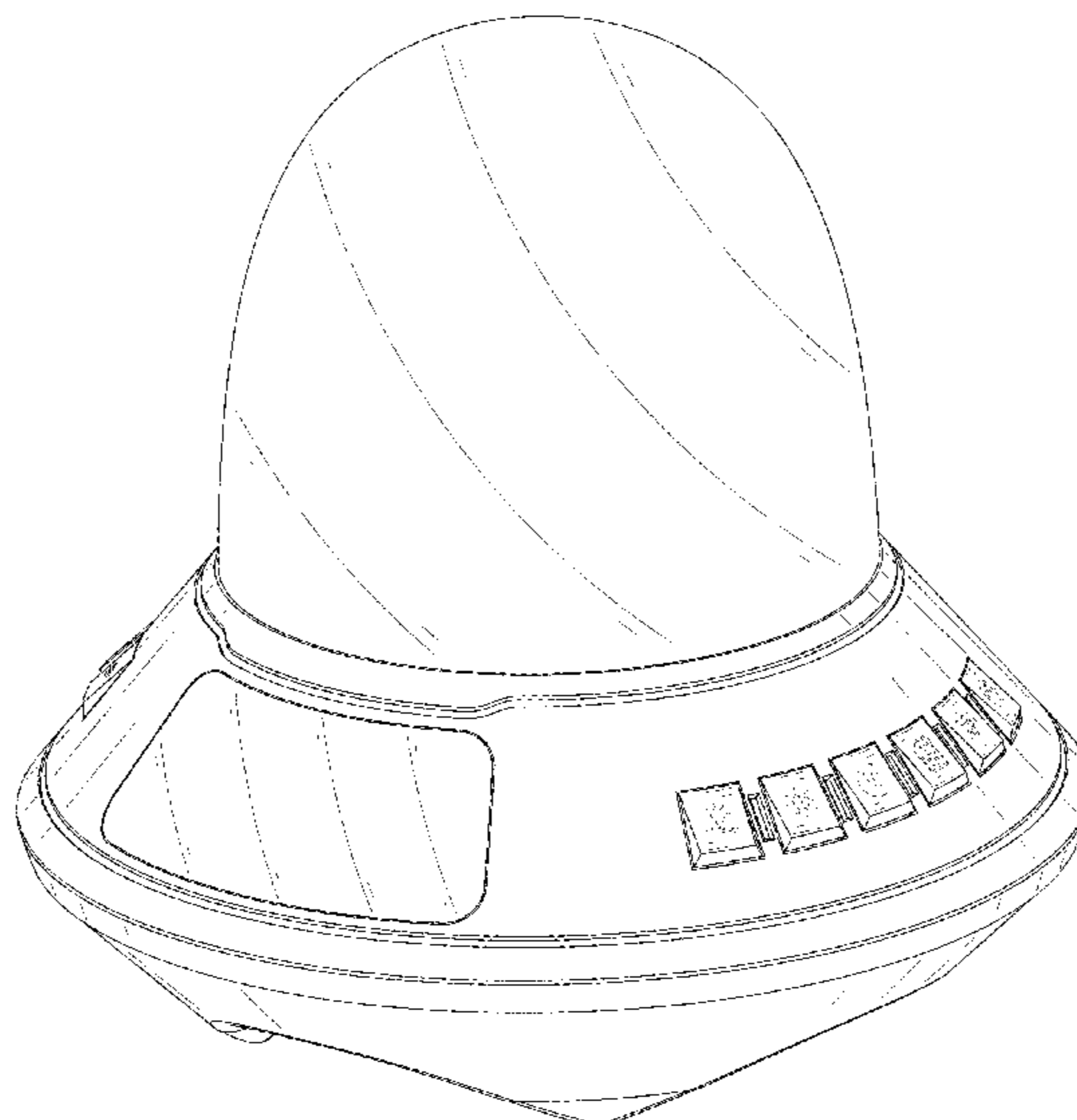
(57) **CLAIM**

The ornamental design for a combined night light and alarm clock, as shown and described.

DESCRIPTION

FIG. 1 is a perspective view of a combined night light and alarm clock showing my new design; FIG. 2 is another perspective view thereof; FIG. 3 is another perspective view thereof; FIG. 4 is a front elevational view thereof; FIG. 5 is a rear elevational view thereof; FIG. 6 is a left side elevational view thereof; FIG. 7 is a right side elevational view thereof; FIG. 8 is a top plan view thereof; and, FIG. 9 is a bottom plan view thereof. The broken lines in the drawings depict portions of the combined night light and alarm clock that form no part of the claimed design.

1 Claim, 9 Drawing Sheets



(56)

References Cited

U.S. PATENT DOCUMENTS

D932,087 S * 9/2021 Ouyang D26/106
D933,282 S * 10/2021 Ji D26/93
11,156,352 B1 * 10/2021 Li F21S 9/02
D935,329 S * 11/2021 Xu D10/5
2015/0285449 A1 * 10/2015 Hajee F21V 21/005
362/183
2021/0164628 A1 * 6/2021 Zheng F21V 5/005

* cited by examiner

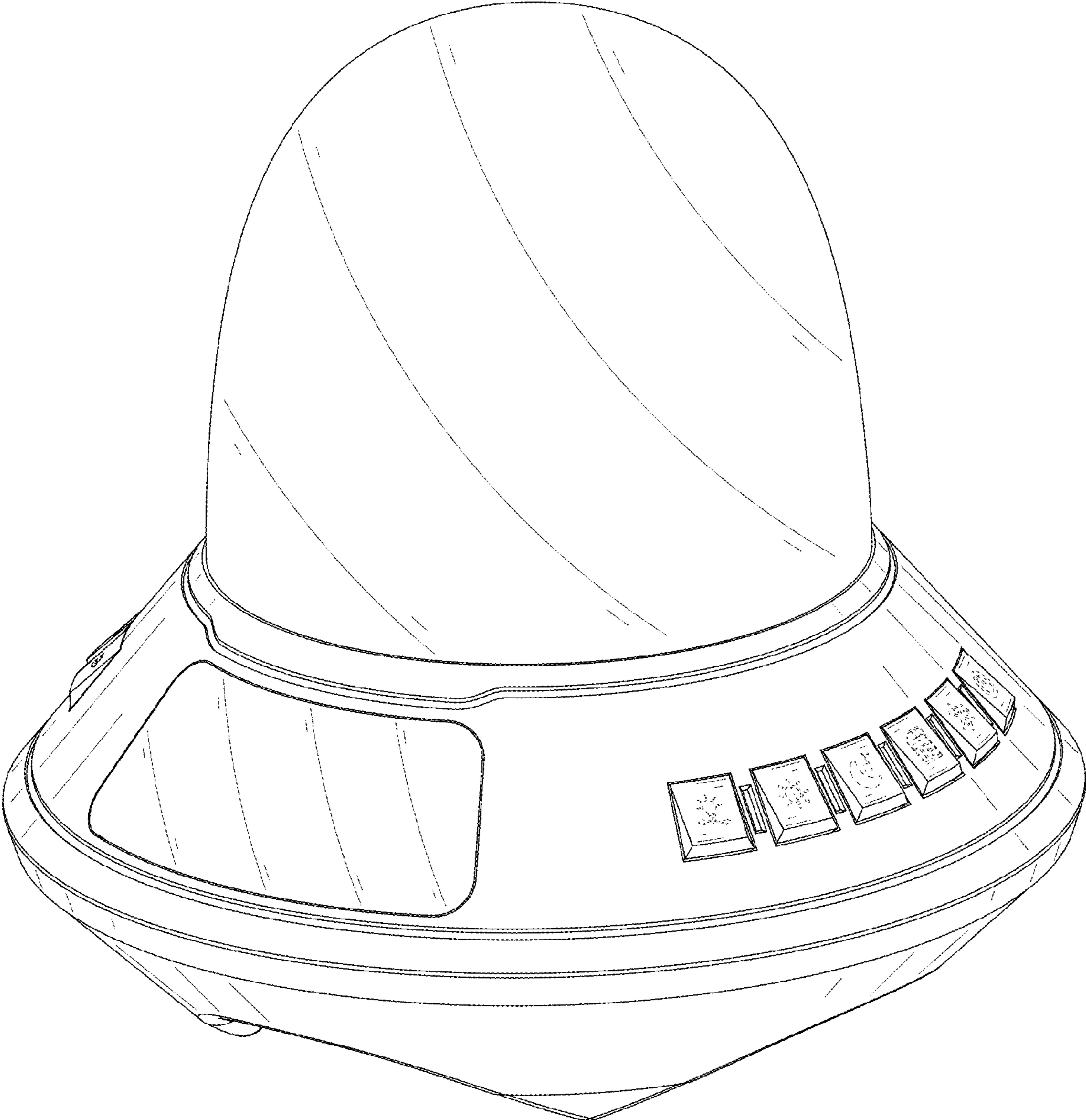


FIG. 1

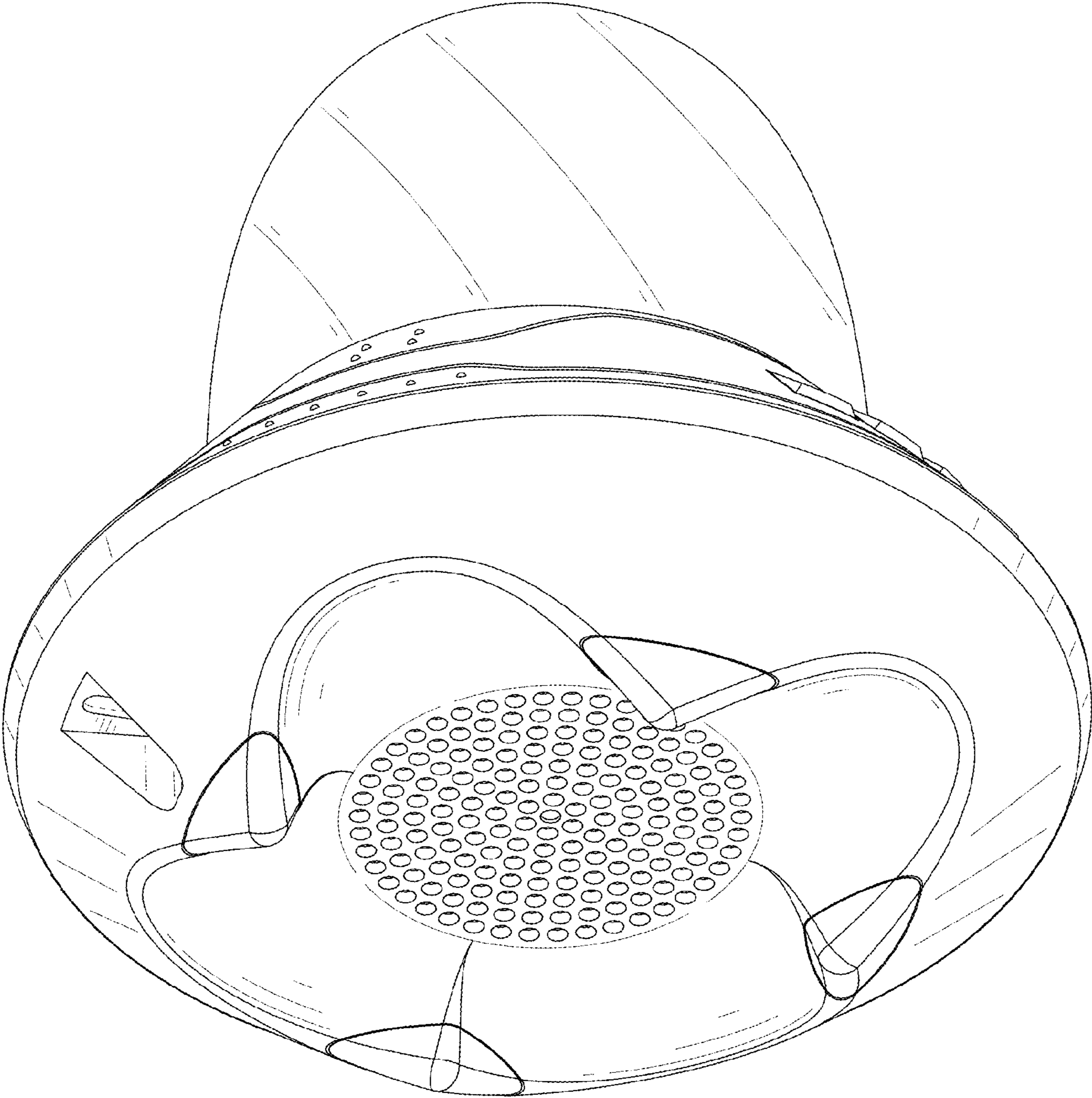


FIG. 2

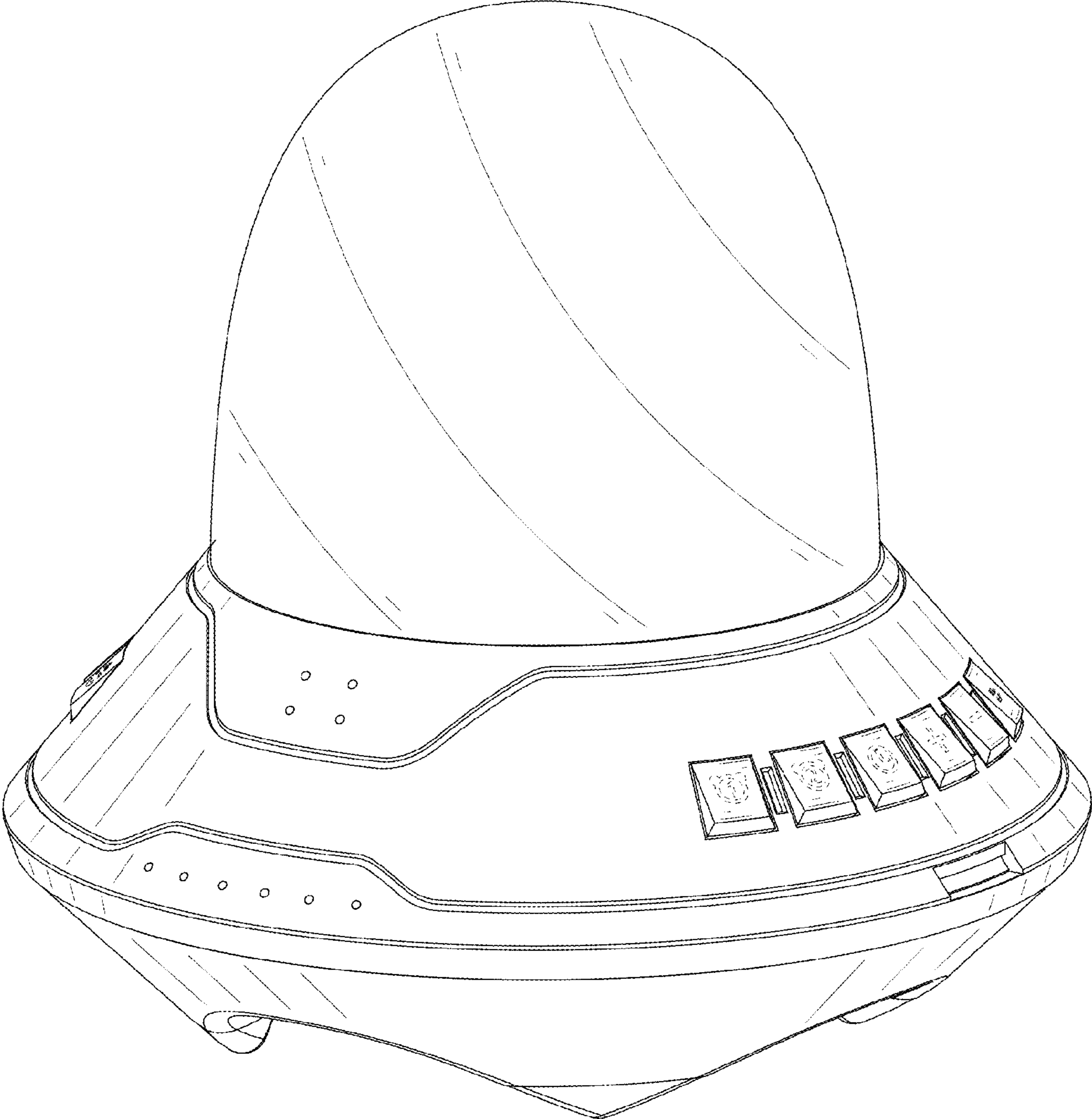


FIG. 3

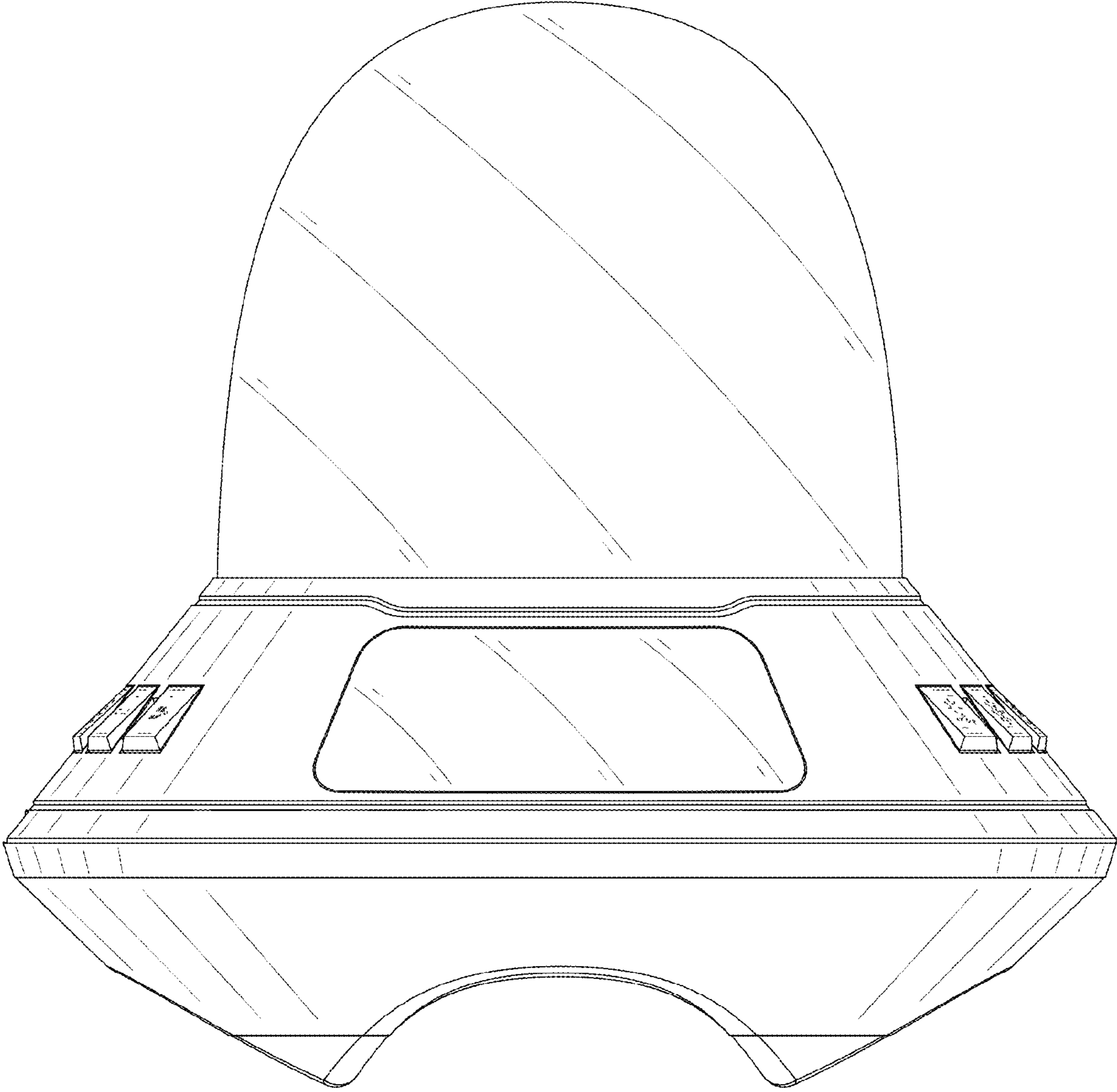


FIG. 4

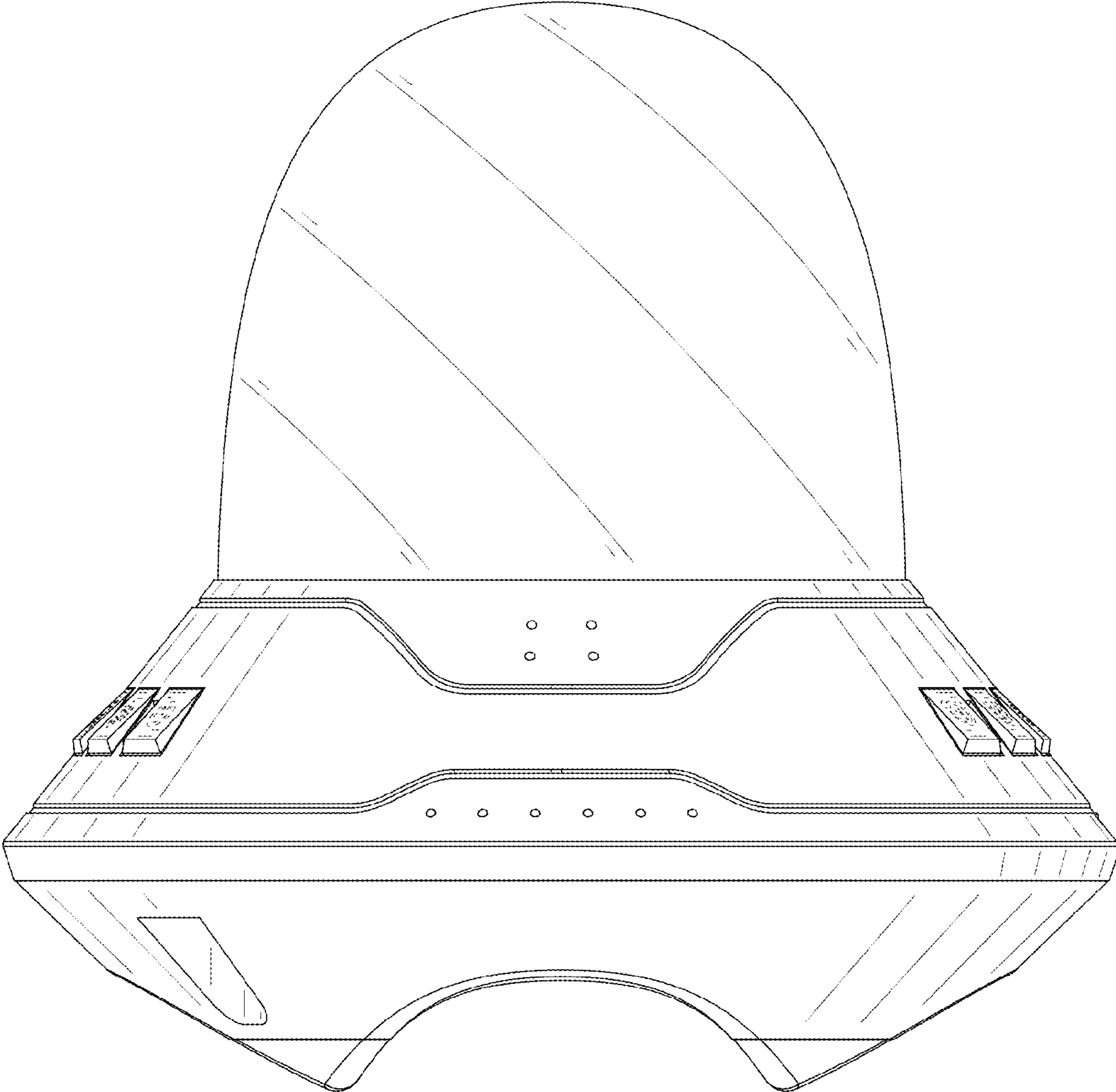


FIG. 5

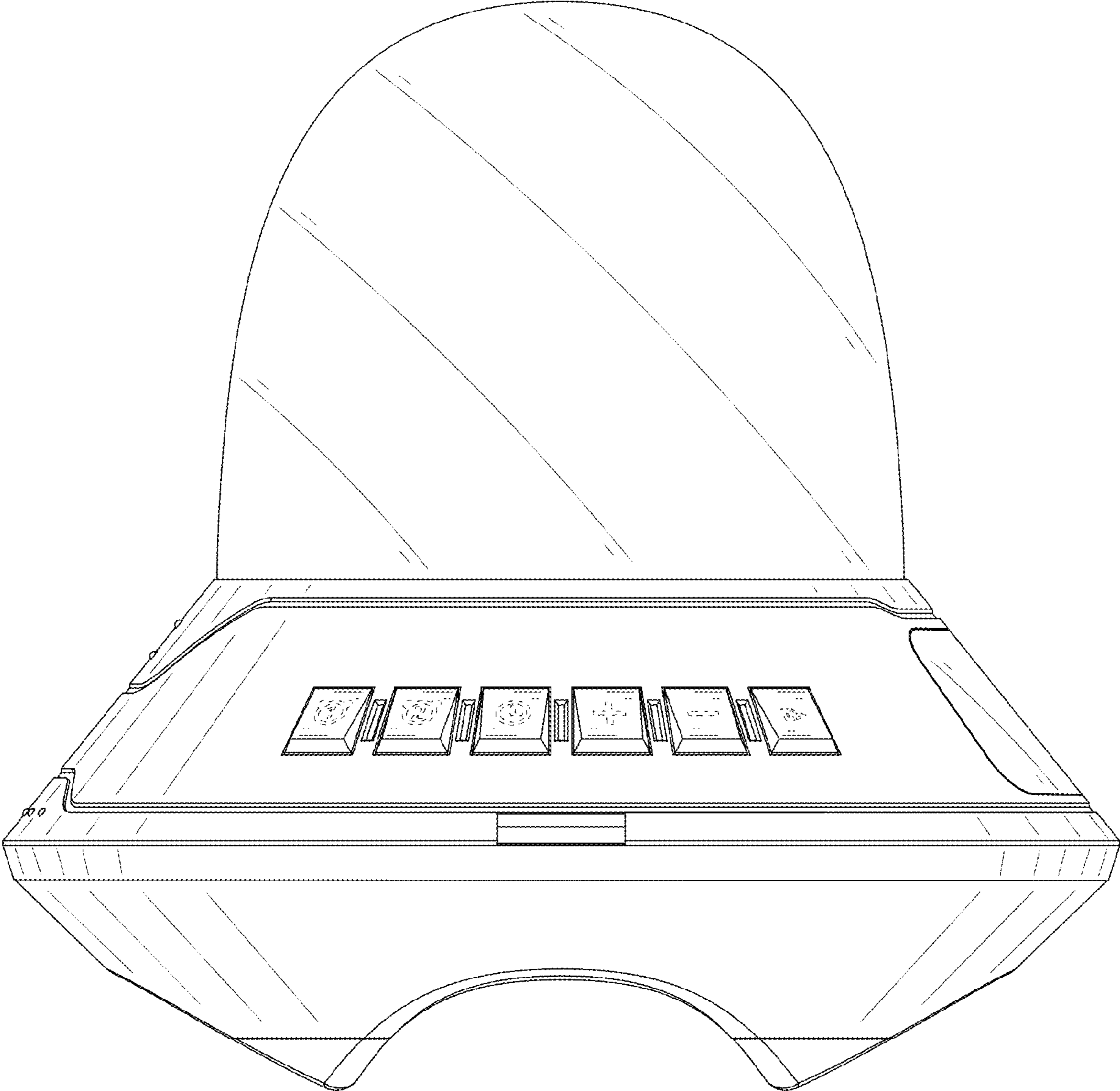


FIG. 6

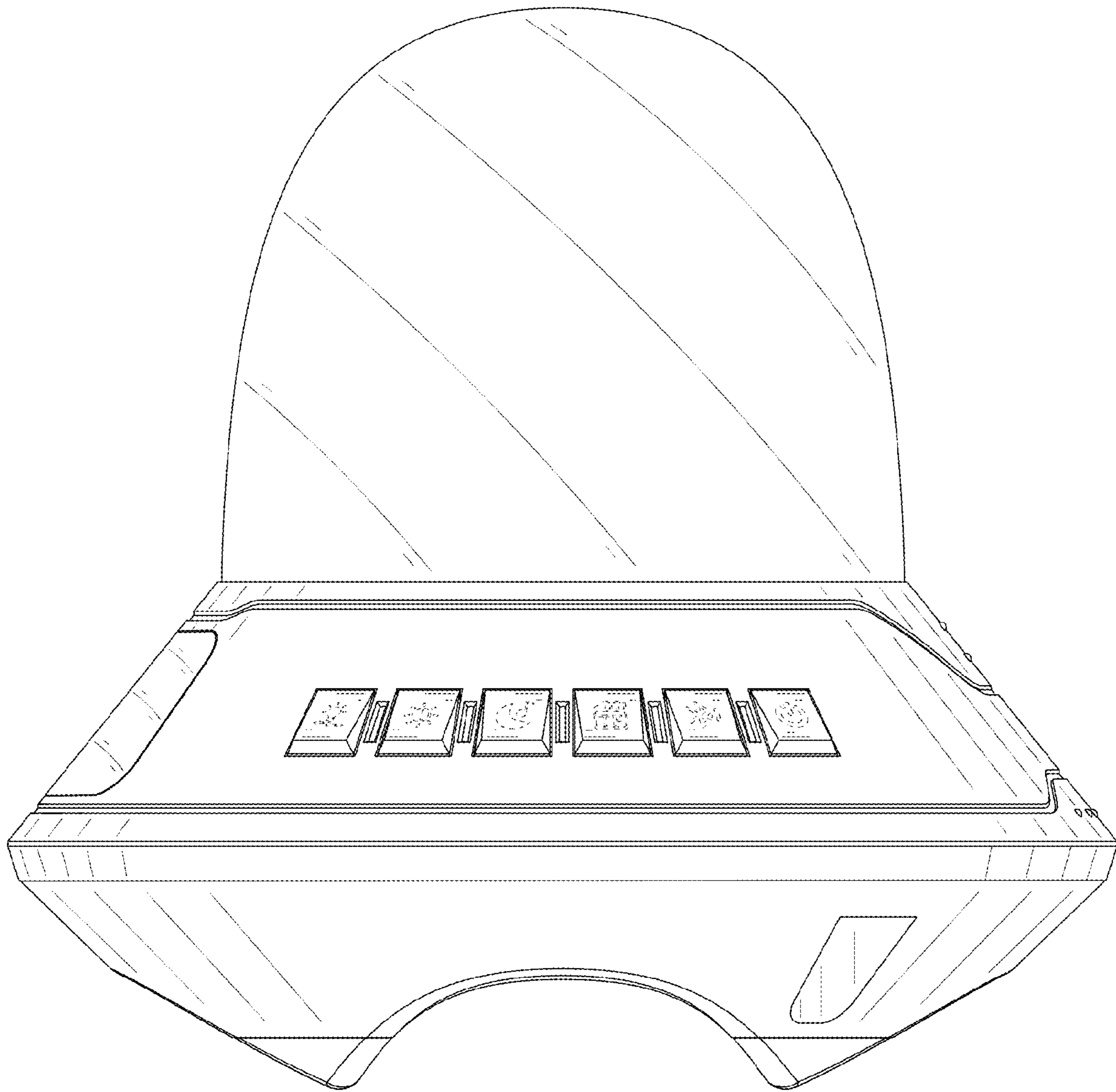


FIG. 7

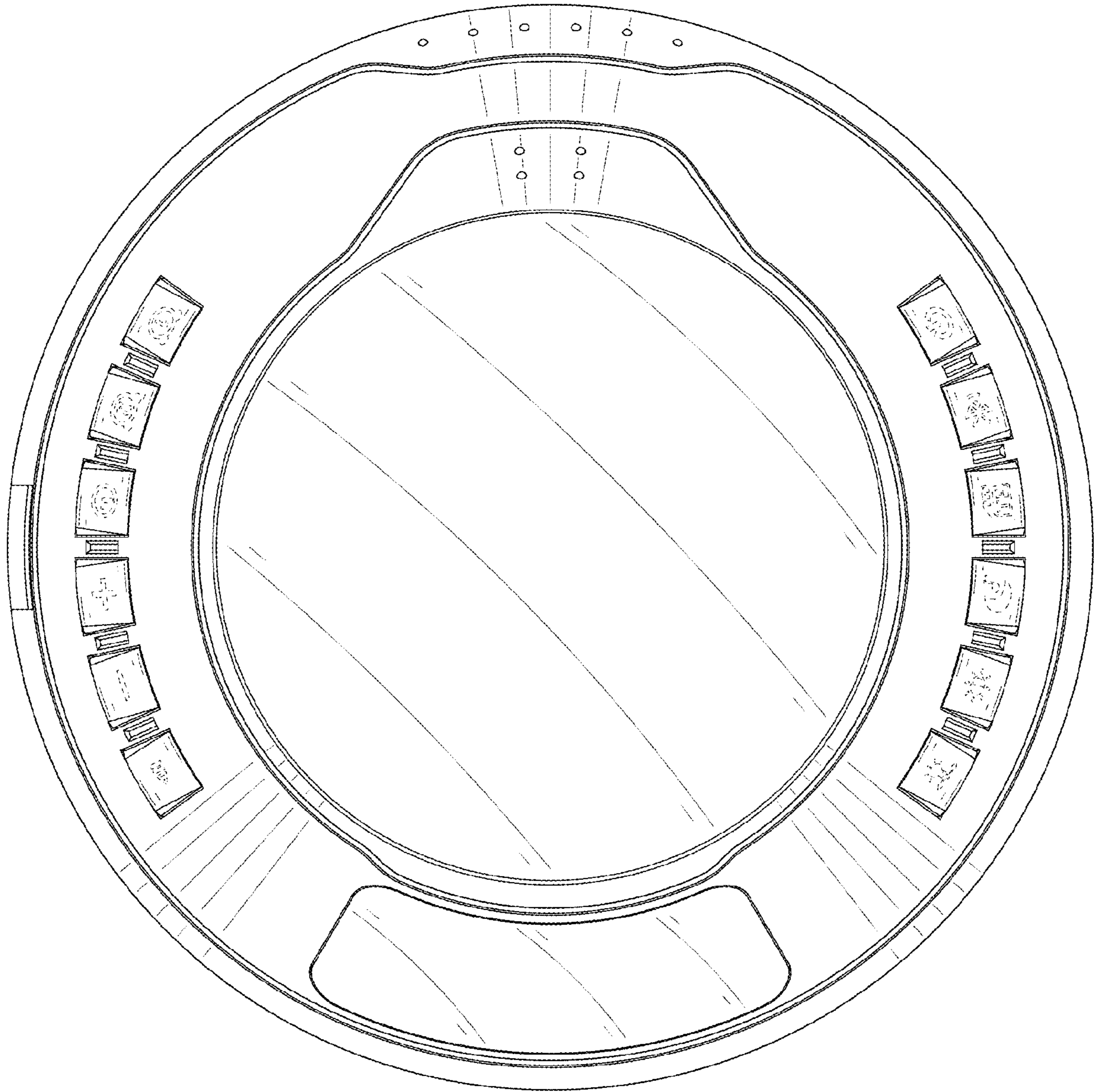


FIG. 8

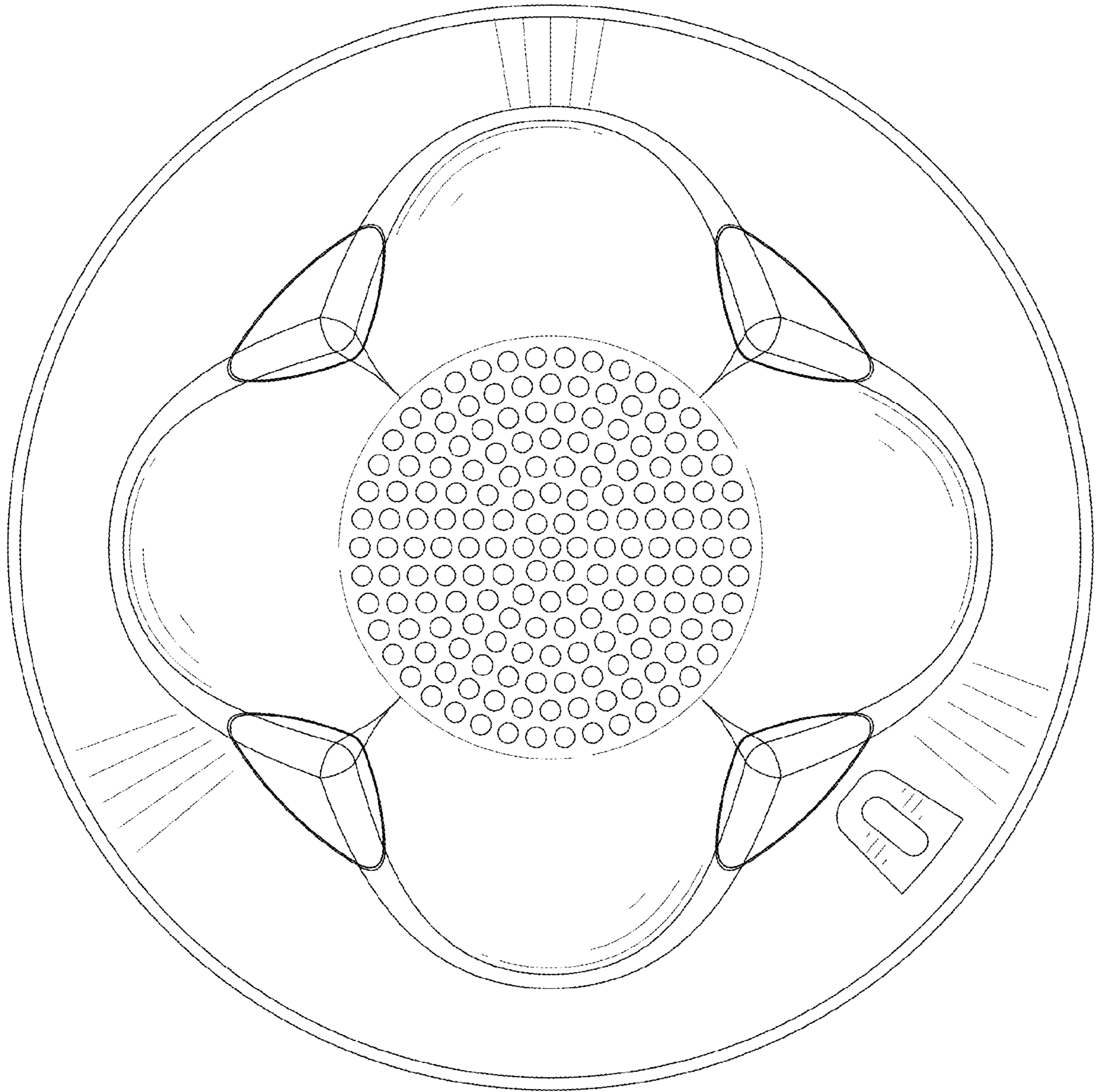


FIG. 9