



US00D939963S

(12) **United States Design Patent** (10) **Patent No.:** **US D939,963 S**  
**Shiraishi et al.** (45) **Date of Patent:** **\*\* Jan. 4, 2022**

(54) **FLEXIBLE CONTAINER BAG**

FOREIGN PATENT DOCUMENTS

(71) Applicant: **SUMITOMO SEIKA CHEMICALS CO., LTD.**, Hyogo (JP)

JP 03-011694 U 2/1991  
JP 6-76187 10/1994  
JP 10-139092 5/1998

(72) Inventors: **Nobumasa Shiraishi**, Himeji (JP);  
**Kazushi Takemoto**, Himeji (JP);  
**Tomohiro Matsuo**, Kurashiki (JP)

(Continued)

(73) Assignee: **SUMITOMO SEIKA CHEMICALS CO., LTD.**, Hyogo (JP)

OTHER PUBLICATIONS

(\*\*) Term: **15 Years**

Office Action for JP2018-011964 with English Translation dated Oct. 23, 2018, 4 pages.

(21) Appl. No.: **29/671,714**

(Continued)

(22) Filed: **Nov. 29, 2018**

*Primary Examiner* — Abraham Bahta

(30) **Foreign Application Priority Data**

(74) *Attorney, Agent, or Firm* — Nixon & Vanderhye PC

May 31, 2018 (JP) ..... 2018-011964

(51) **LOC (13) Cl.** ..... **09-05**

(57) **CLAIM**

(52) **U.S. Cl.**

The ornamental design for a flexible container bag, as shown and described.

USPC ..... **D9/704**

(58) **Field of Classification Search**

**DESCRIPTION**

USPC ..... D9/702-714, 424-426, 428, 430, 432,  
D9/749, 755, 759, 760; D7/601-602,  
D7/500, 513, 525, 550.1, 553.1-553.8,  
D7/546, 541.543; 220/574-575,  
220/573.1-573.5, 500, 507, 553-556,  
220/675, 528, 669; D30/123, 121,  
D30/129-133; D6/406.3; 206/557, 561,  
206/564, 563, 518  
CPC ..... B65D 33/00; B65D 33/12; B65D 33/16;  
B65D 5/00; B65D 5/48; B65D 31/00;  
B65D 31/10; B65D 1/00; B65D 1/30;  
B65D 1/34; B65D 1/36

FIG. 1 is a first perspective view of a flexible container bag showing our new design;  
FIG. 2 is a second perspective view thereof;  
FIG. 3 is a front view thereof;  
FIG. 4 is a back view thereof;  
FIG. 5 is a top view thereof;  
FIG. 6 is a bottom view thereof;  
FIG. 7 is a right view thereof;  
FIG. 8 is a left view thereof;  
FIG. 9 is an enlarged view thereof indicated in FIG. 1;  
FIG. 10 is an enlarged view thereof indicated in FIG. 2; and,  
FIG. 11 is an enlarged view thereof indicated in FIG. 3.  
The broken lines shown in the figures are for illustrative purposes only and form no part of the claimed design.

See application file for complete search history.

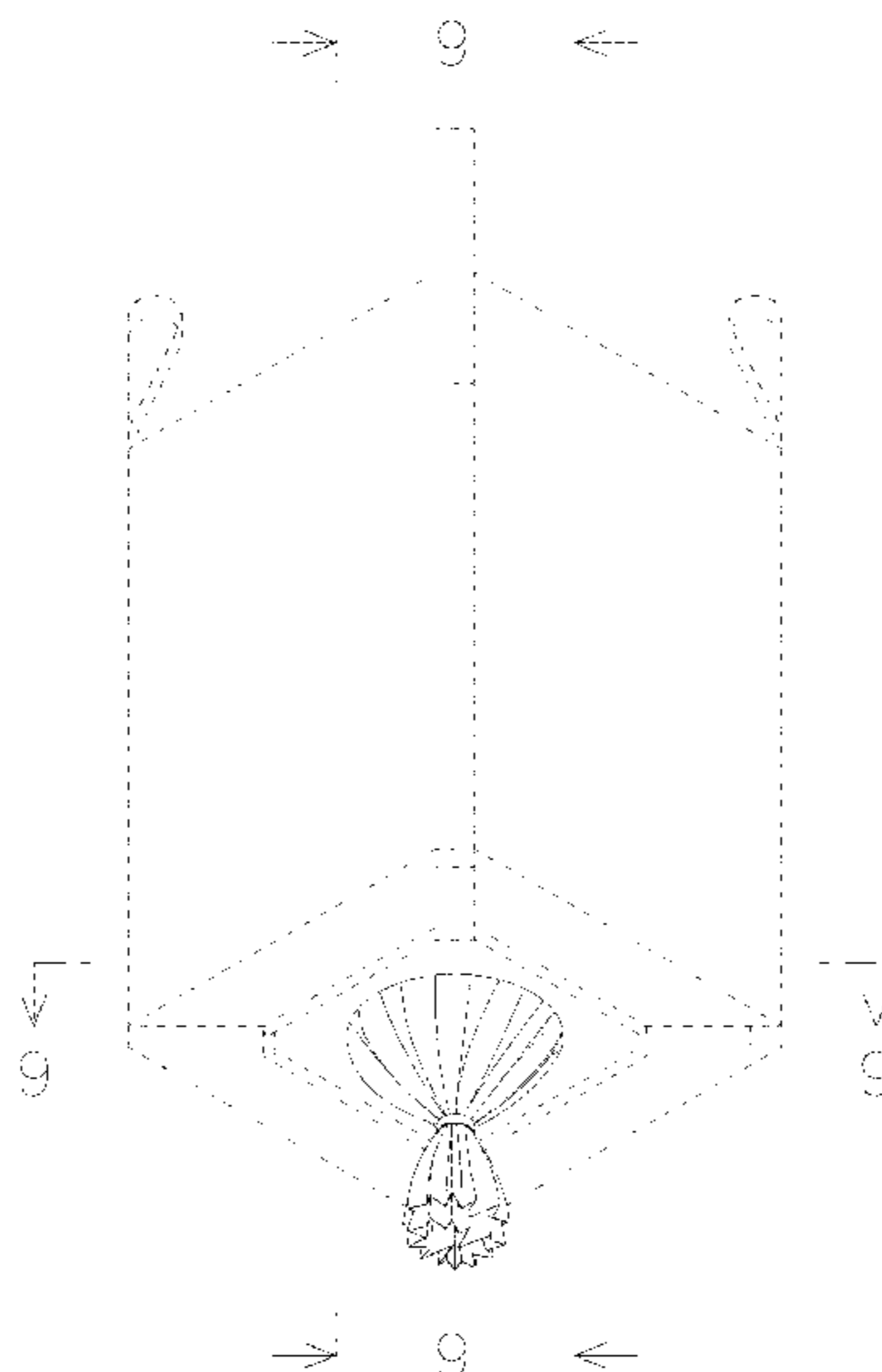
(56) **References Cited**

**1 Claim, 11 Drawing Sheets**

U.S. PATENT DOCUMENTS

D455,935 S \* 4/2002 Detiveaux ..... D7/624.2  
D640,933 S \* 7/2011 Gallagher ..... D9/706  
D649,477 S \* 11/2011 Burns ..... D9/703

(Continued)



(56)

**References Cited**

U.S. PATENT DOCUMENTS

D700,063 S \* 2/2014 Torang ..... D9/703  
D736,651 S \* 8/2015 Moad ..... D9/713

FOREIGN PATENT DOCUMENTS

JP D1562973 11/2016  
TW M280989 11/1994

OTHER PUBLICATIONS

Office Action and Search Report dated Jan. 9, 2019 in related Taiwanese Design Application No. 107302377D05 (with translation), 6 pages.

Decision of Refusal dated Jan. 8, 2019 in related Japanese Application No. 2018-011964 (with translation), 4 pages.

\* cited by examiner

Fig.1

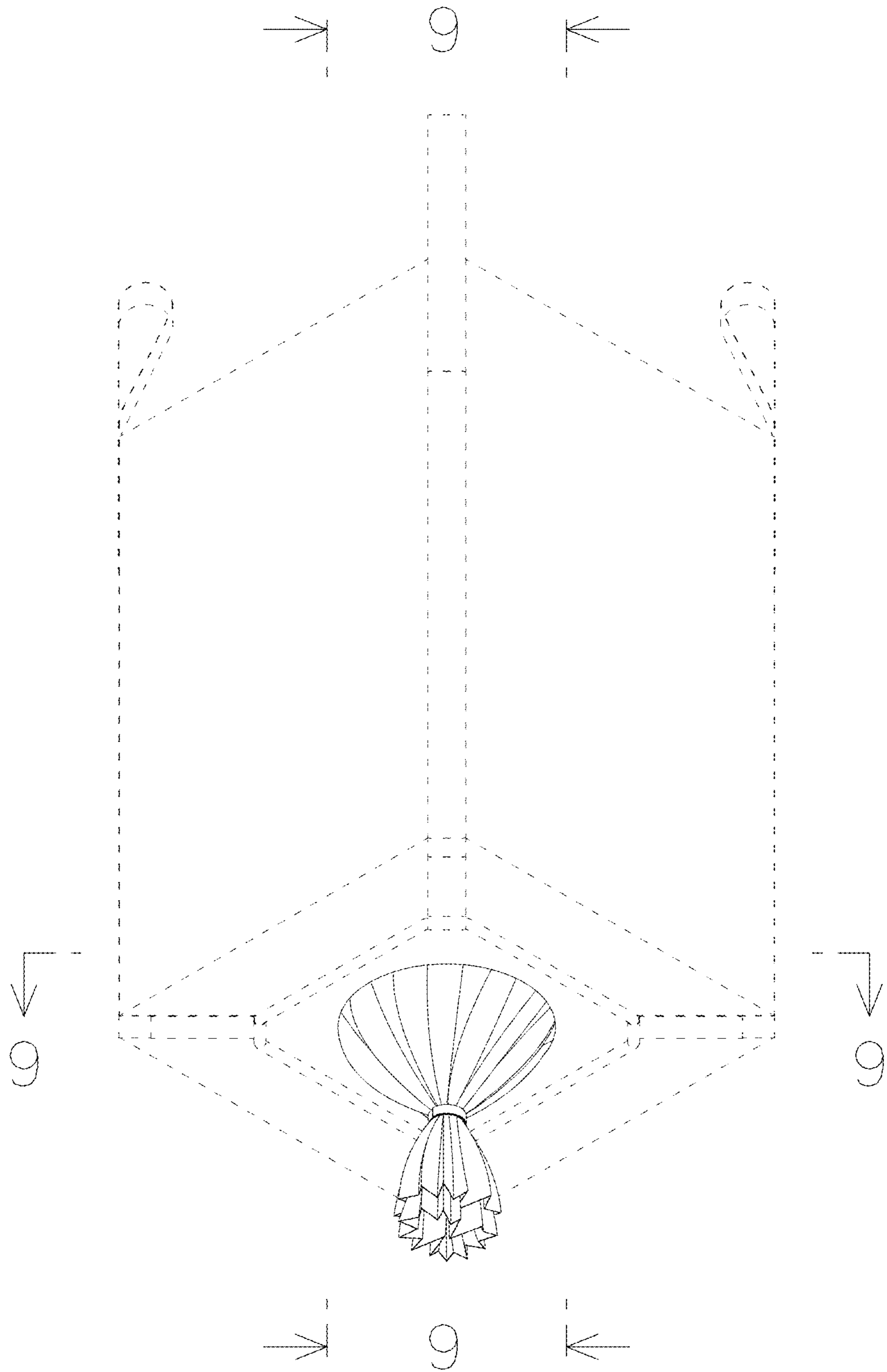


Fig. 2

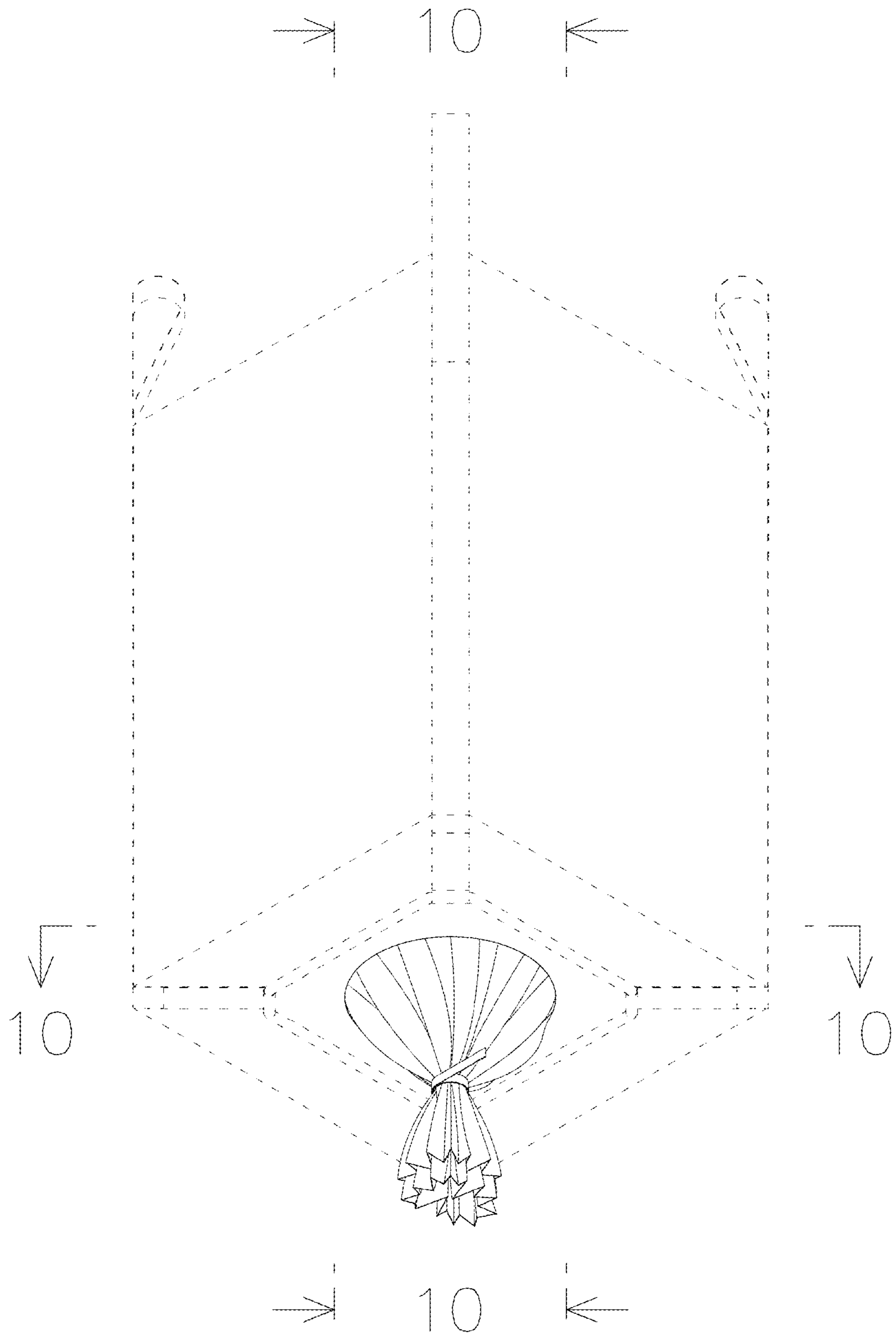


Fig. 3

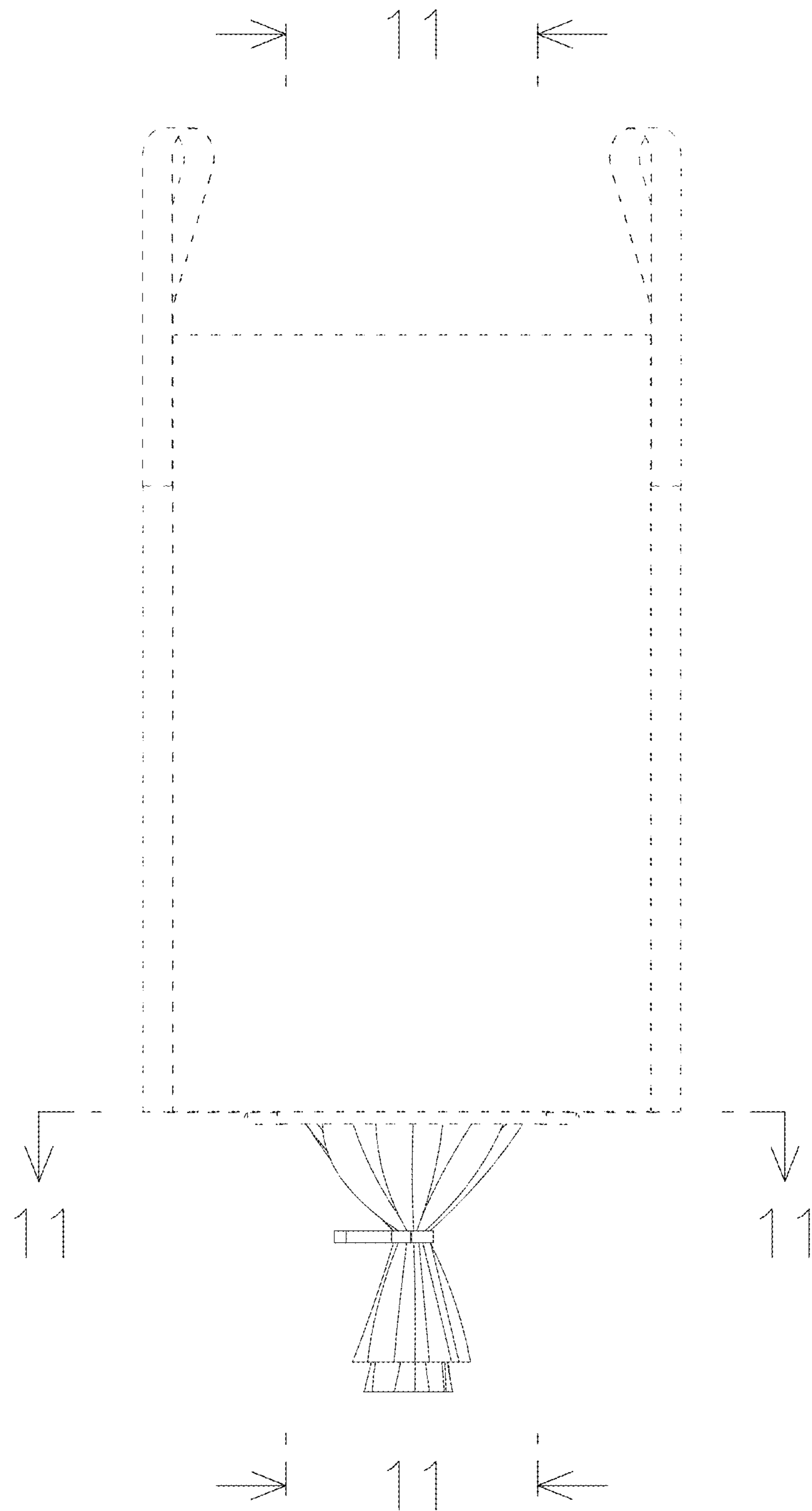


Fig. 4

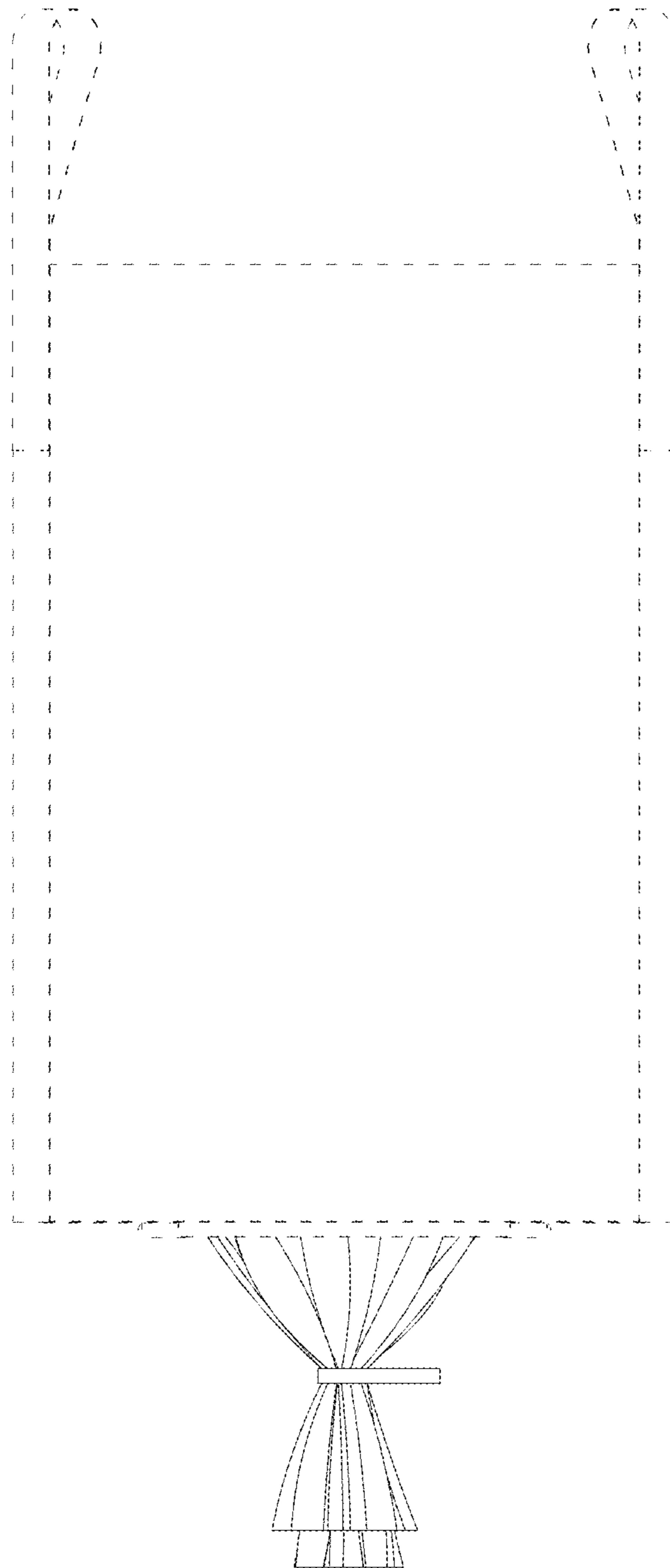


Fig. 5

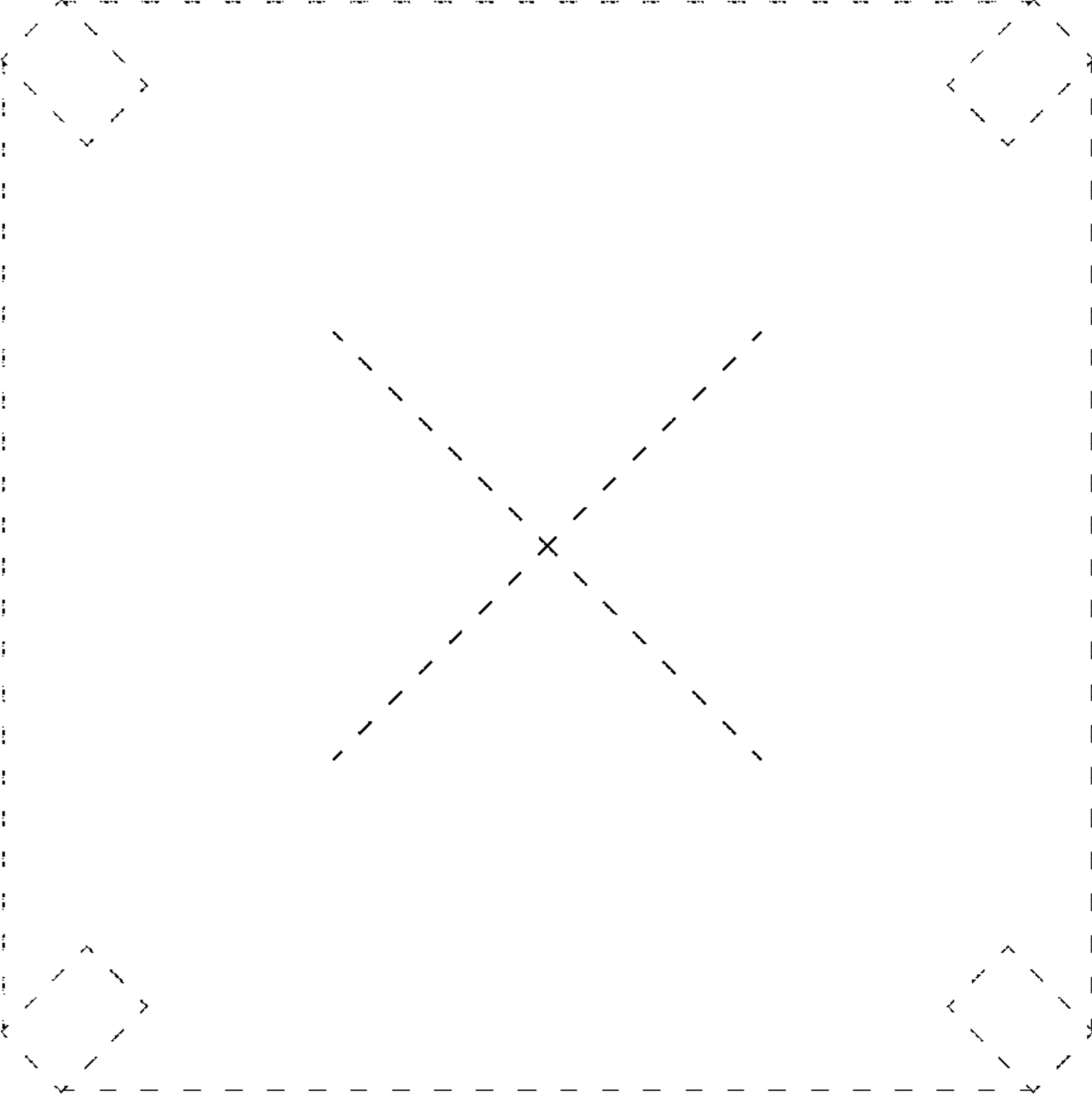


Fig.6

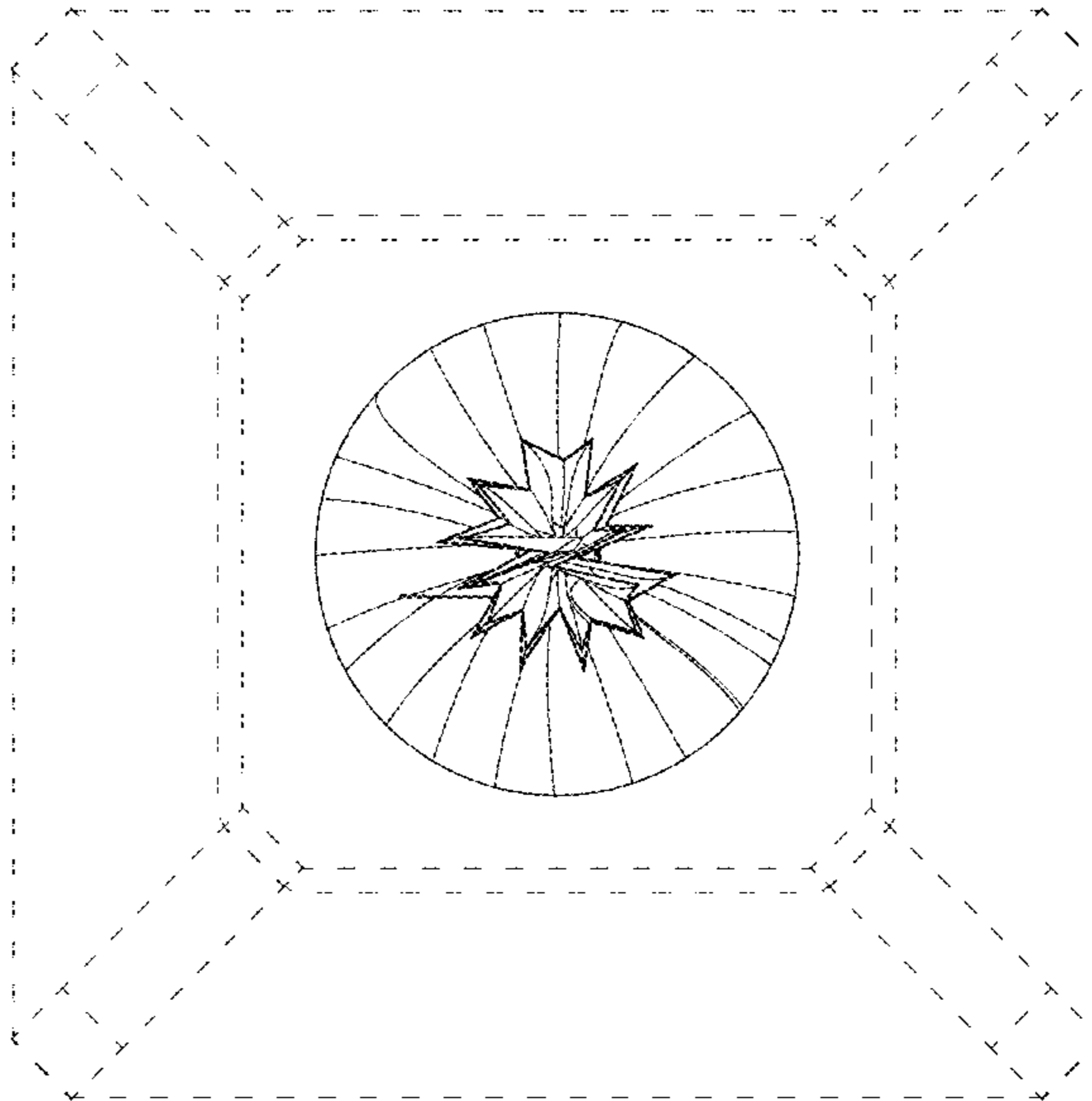




Fig. 7

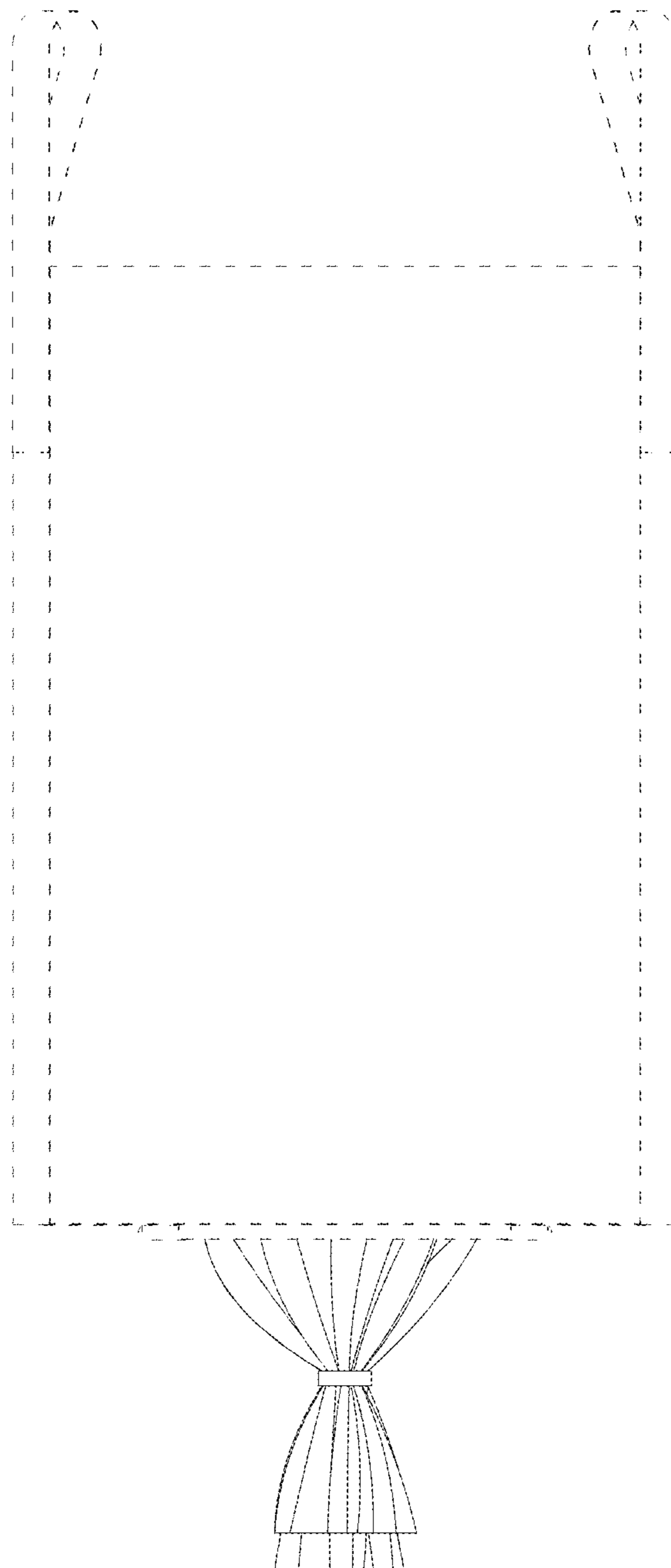


Fig. 8

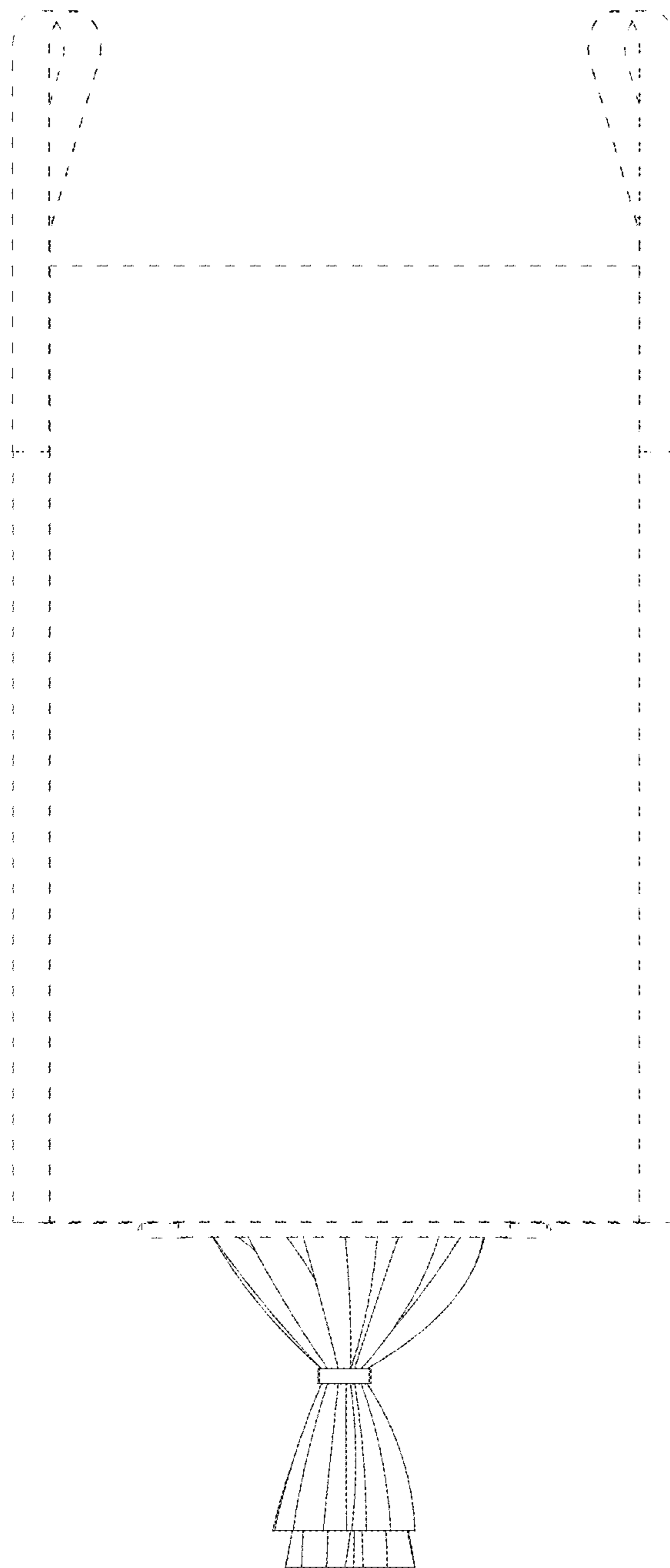


Fig. 9

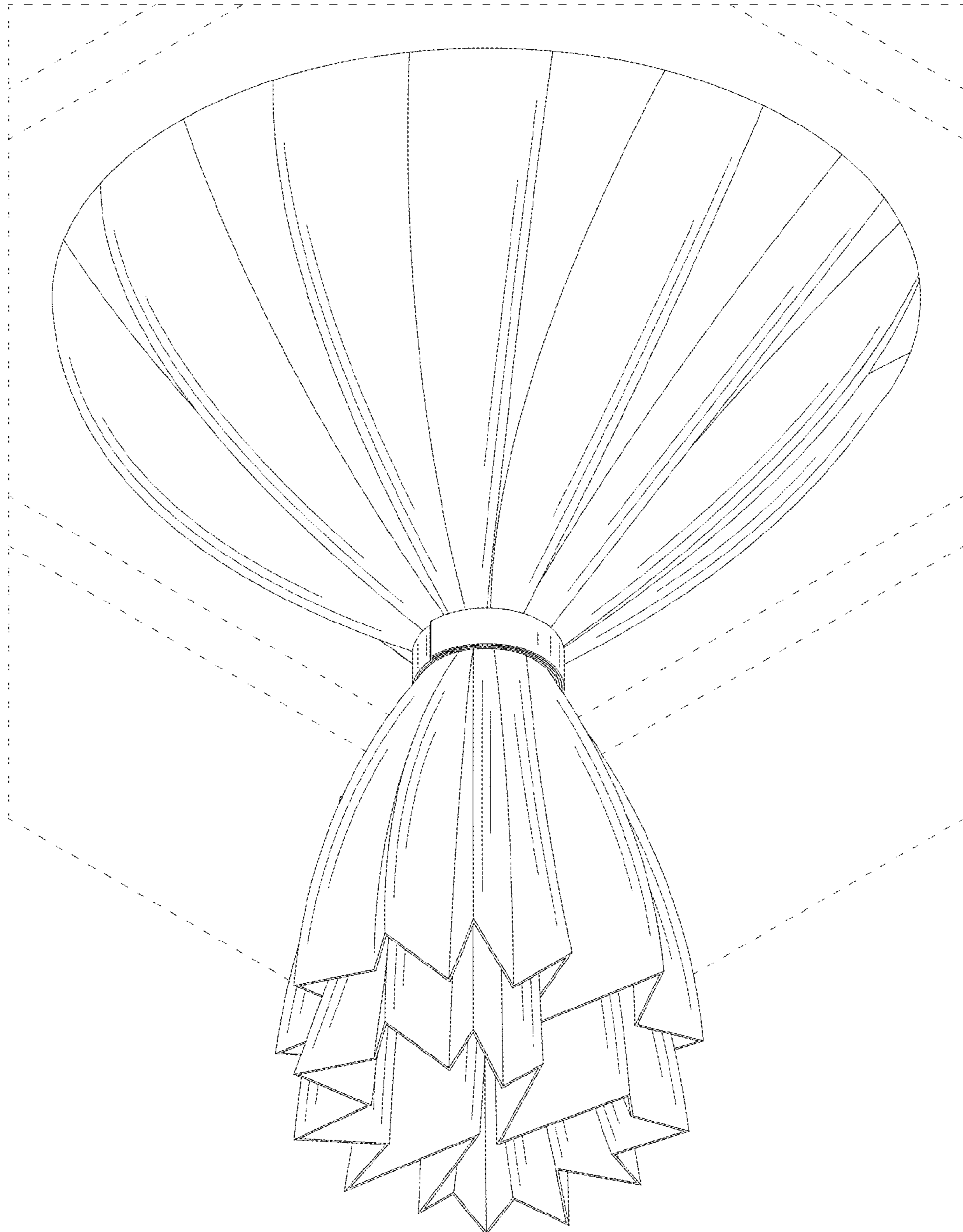


Fig.10

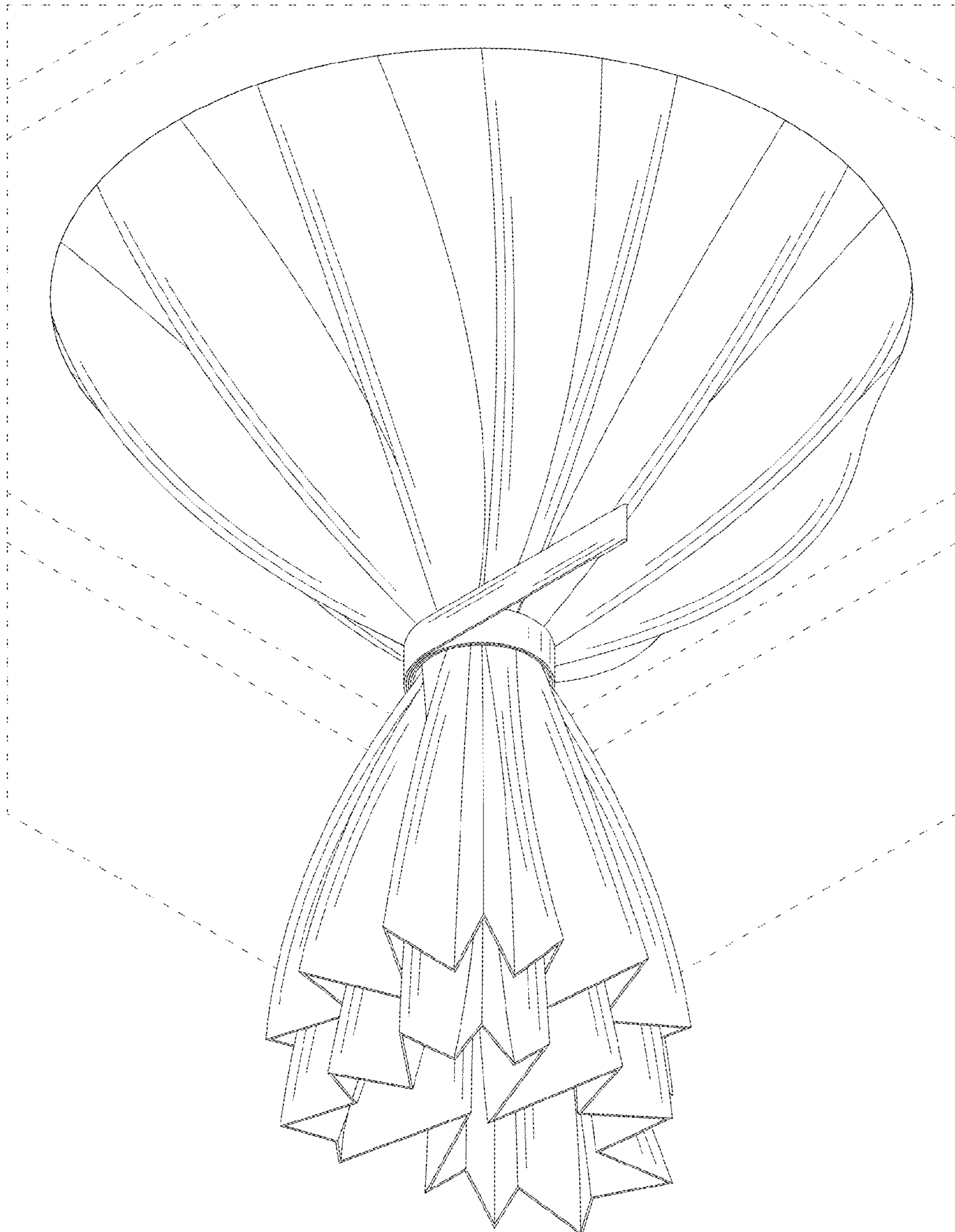


Fig.11

