



US00D939960S

(12) **United States Design Patent** (10) **Patent No.:** **US D939,960 S**
Naumann et al. (45) **Date of Patent:** **** Jan. 4, 2022**

(54) **CLOSURE CAP**
 (71) Applicant: **Husky Injection Molding Systems Limited**, Bolton (CA)
 (72) Inventors: **Tobias Naumann**, Merzig (DE); **Günter Blesius**, Wittlich (DE)
 (73) Assignee: **Husky Injection Molding Systems Ltd.**, Bolton (CA)
 (**) Term: **15 Years**
 (21) Appl. No.: **35/510,519**
 (22) Filed: **Apr. 9, 2020**

6,299,005 B1 10/2001 Higgins
 D535,188 S 1/2007 Lee
 D547,184 S 7/2007 Kim et al.
 D564,035 S 3/2008 Gvishi
 D576,875 S 9/2008 Steiger et al.
 D640,556 S 6/2011 Bragg et al.
 D663,202 S 7/2012 Biesecker et al.
 D679,959 S 4/2013 Lane
 D690,557 S 10/2013 Carreno et al.
 D697,872 S 1/2014 Roemer et al.
 8,636,160 B2 1/2014 Park
 D730,729 S 6/2015 George
 D731,244 S 6/2015 Kohl
 D739,183 S 9/2015 Lane
 D784,808 S * 4/2017 Berroa Garcia D9/435
 D785,402 S 5/2017 Shirley et al.
 9,930,996 B2 4/2018 Wiggins et al.
 (Continued)

(80) **Hague Agreement Data**
 Int. Filing Date: **Apr. 9, 2020**
 Int. Reg. No.: **DM/207615**
 Int. Reg. Date: **Apr. 9, 2020**
 Int. Reg. Pub. Date: **Oct. 9, 2020**
 (51) **LOC (13) Cl.** **09-07**
 (52) **U.S. Cl.**
 USPC **D9/449**
 (58) **Field of Classification Search**
 USPC D9/435, 440, 447, 449, 499, 503-505,
 D9/686; D3/202, 203.2, 294, 318;
 D28/91, 91.1
 CPC A47G 19/22; A47G 19/2205; A47G
 19/2255; A47G 19/2266; B65D 47/00;
 B65D 41/00; B65D 41/38; B65D 41/56;
 B65D 41/62
 See application file for complete search history.

FOREIGN PATENT DOCUMENTS

GB 2216505 A 10/1989
 WO 2019113681 A1 6/2019
 (Continued)

Primary Examiner — Michael A. Pratt
 (74) *Attorney, Agent, or Firm* — Banner & Witcoff, Ltd.

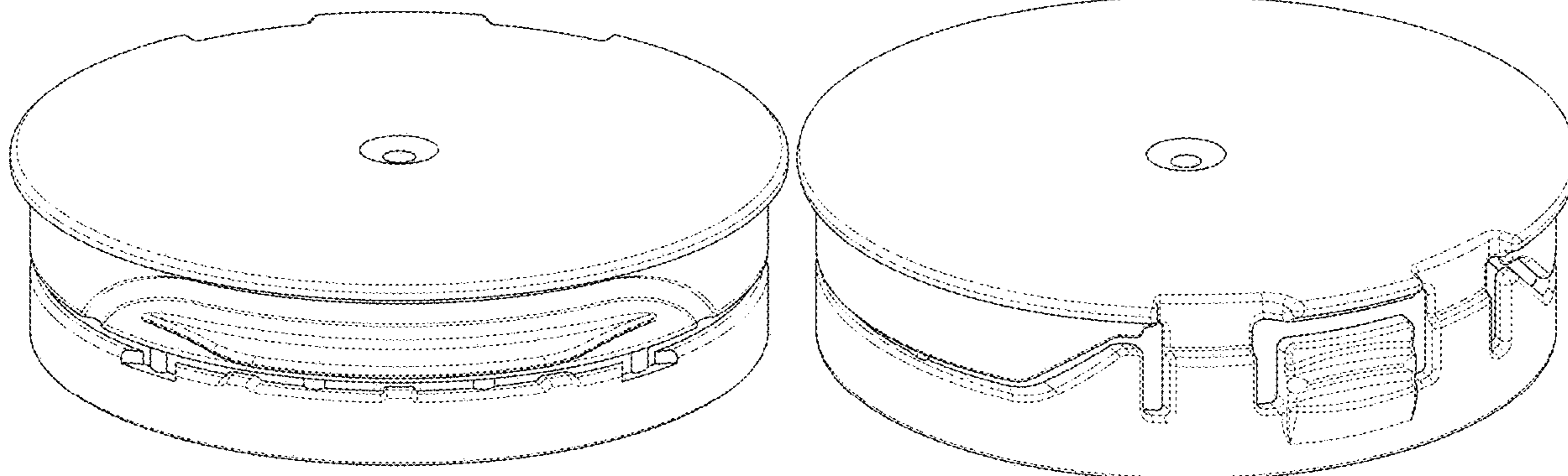
(57) **CLAIM**

The ornamental design for a closure cap, as shown and described.

DESCRIPTION

- 1. Cap
- 1.1 : Perspective
- 1.2 : Perspective
- 1.3 : Perspective
- 1.4 : Front
- 1.5 : Back
- 1.6 : Top
- 1.7 : Bottom
- 1.8 : Left
- 1.9 : Right

1 Claim, 9 Drawing Sheets



(56)

References Cited

U.S. PATENT DOCUMENTS

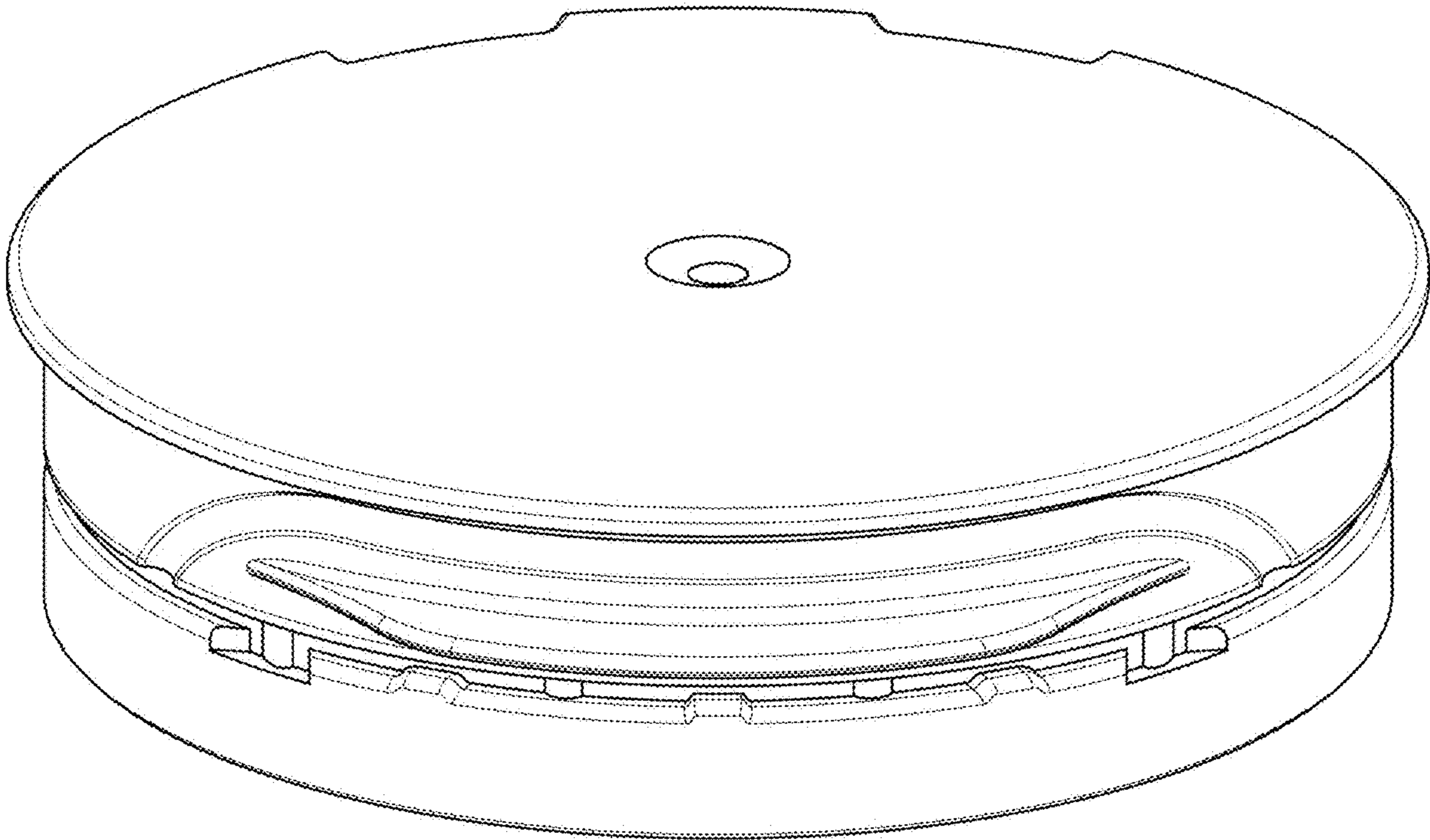
10,131,477 B2 11/2018 Robert et al.
10,138,035 B2 11/2018 Loukov
D848,846 S 5/2019 Loritz
D885,895 S * 6/2020 Berroa Garcia D9/449
D896,570 S * 9/2020 Berroa Garcia D7/392.1
D899,849 S * 10/2020 Zhang D7/392.1
D933,479 S * 10/2021 Berroa Garcia D9/449
2002/0166835 A1 11/2002 Carter
2008/0023477 A1 1/2008 Markert
2008/0047976 A1 2/2008 Scheer et al.
2008/0257852 A1 10/2008 Herald et al.
2011/0049154 A1 3/2011 Michalsky
2015/0114984 A1 4/2015 Mehdizadeh
2018/0086510 A1* 3/2018 Berroa Garcia B65D 41/46
2018/0134469 A1 5/2018 Faria
2018/0222645 A1 8/2018 Nicholes
2020/0180819 A1* 6/2020 Berroa Garcia B65D 53/00

FOREIGN PATENT DOCUMENTS

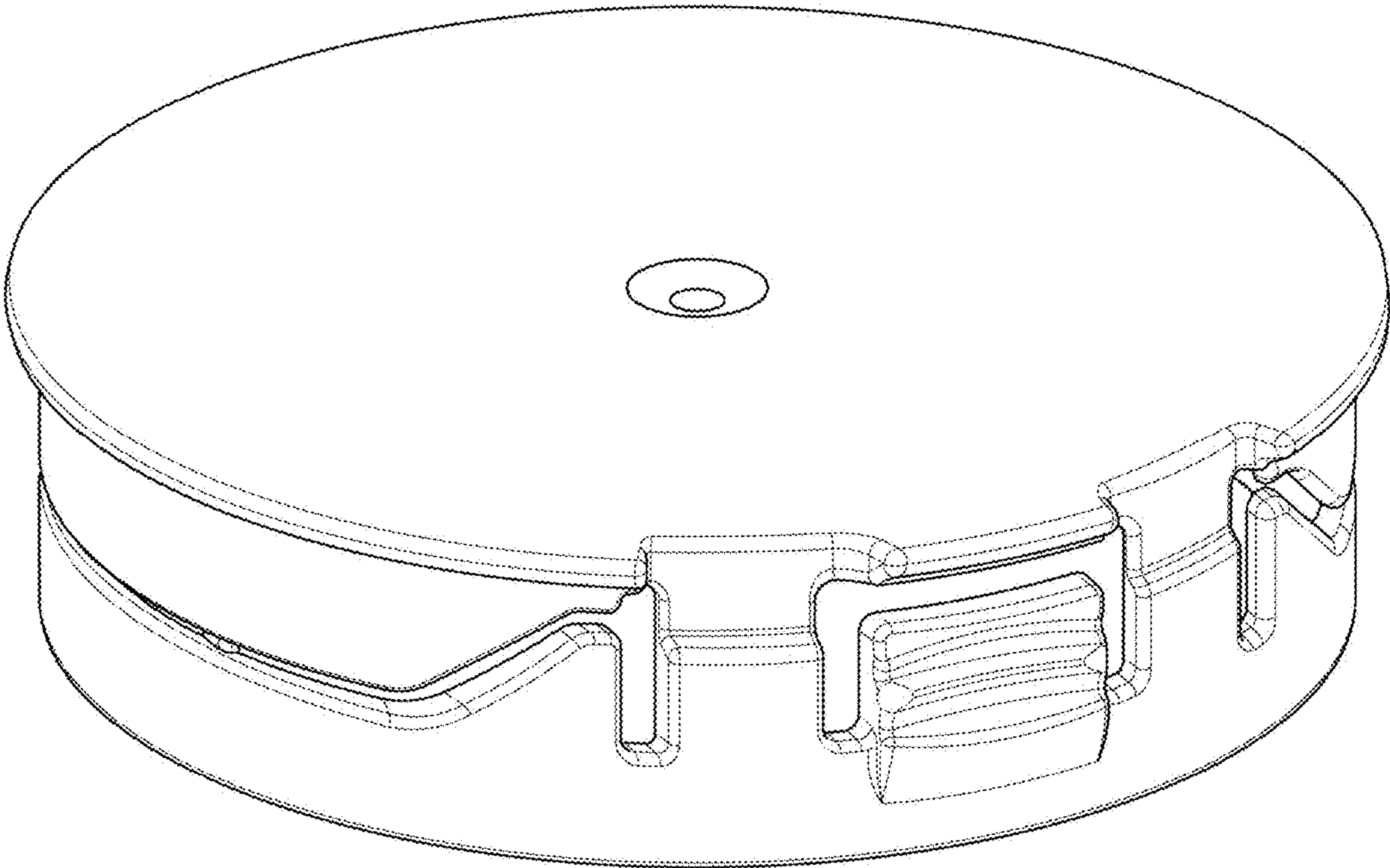
WO 2020007956 A2 1/2020
WO 2020007956 A3 2/2020

* cited by examiner

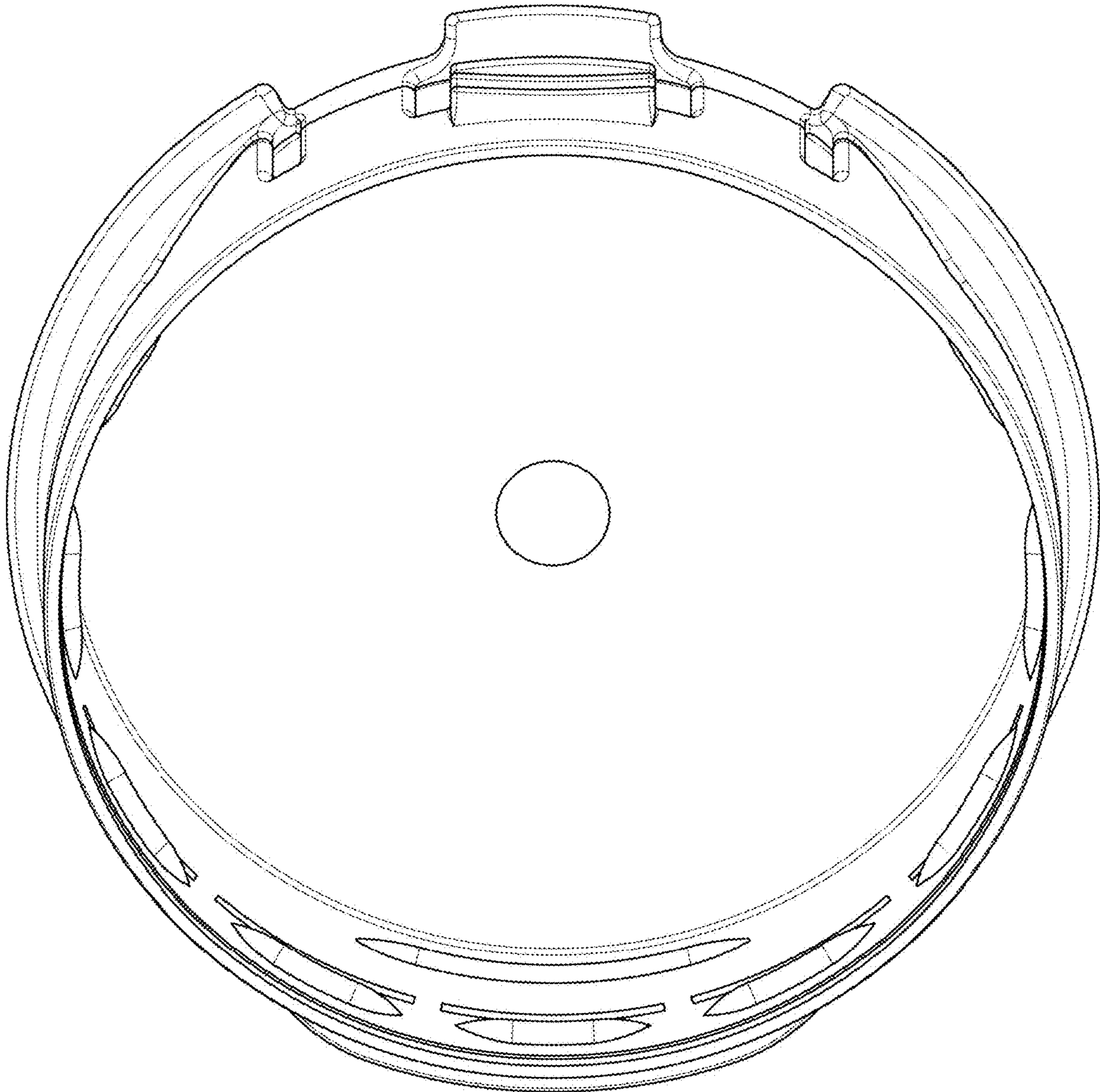
1.1



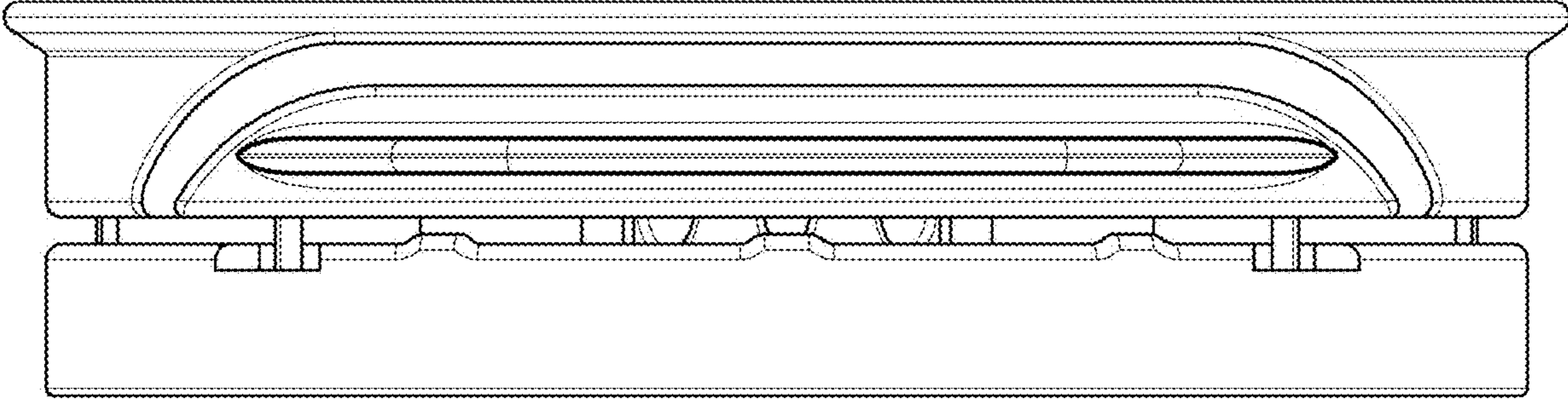
1.2

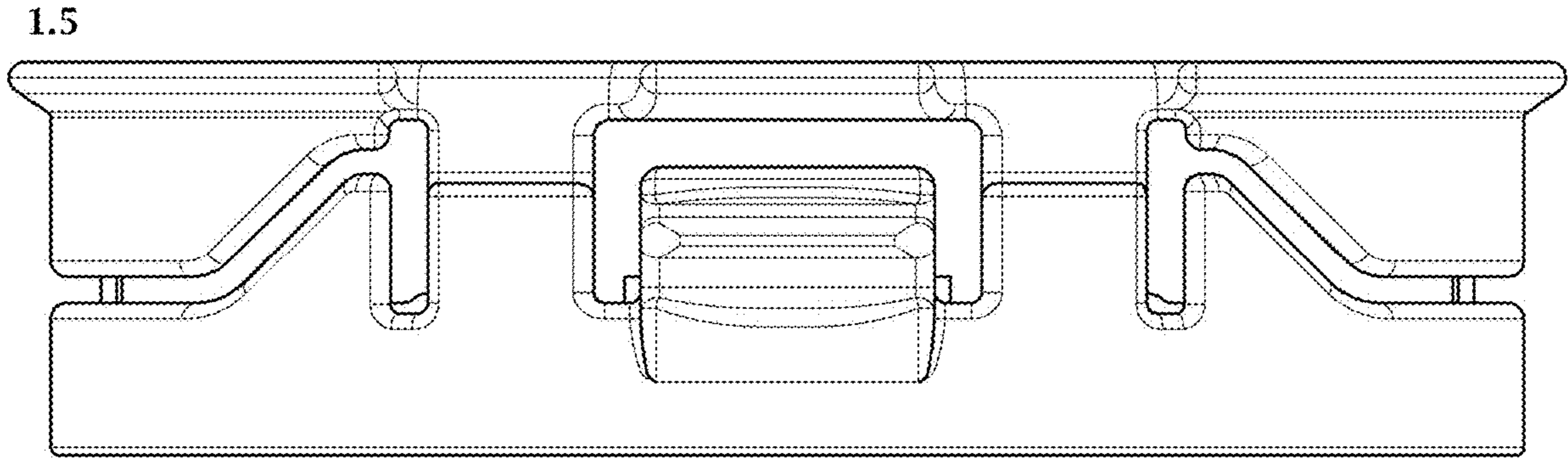


1.3

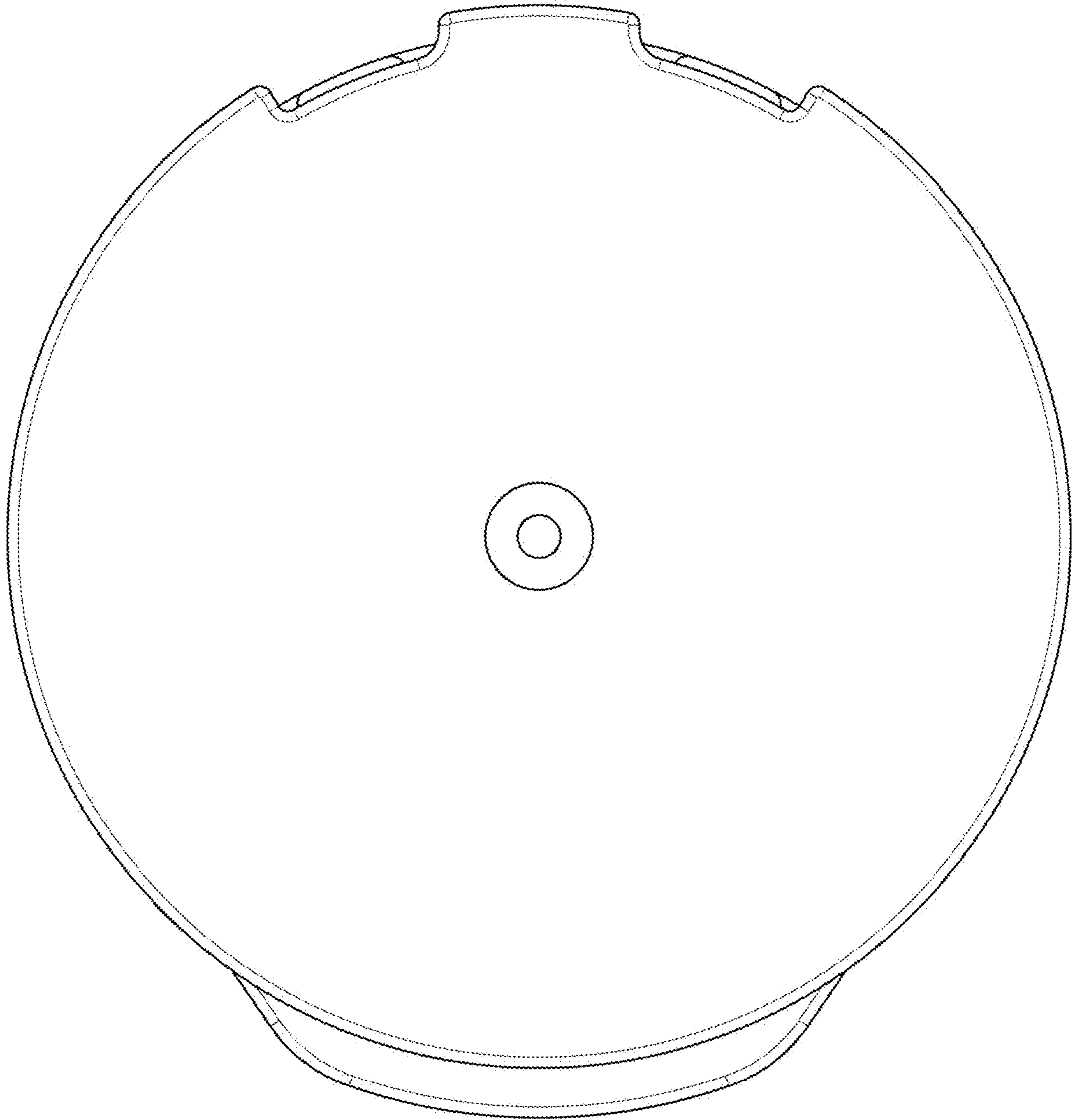


1.4

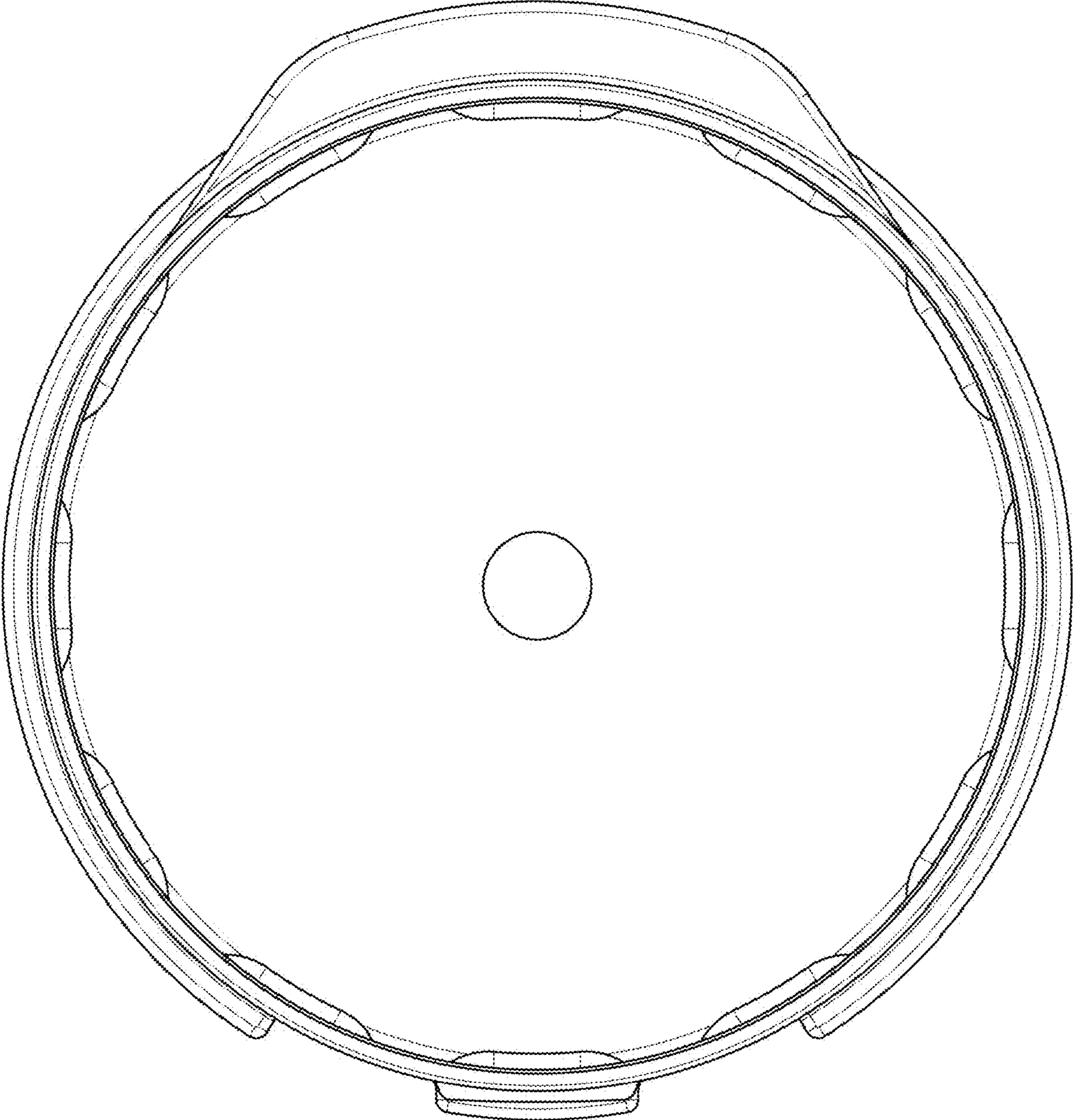




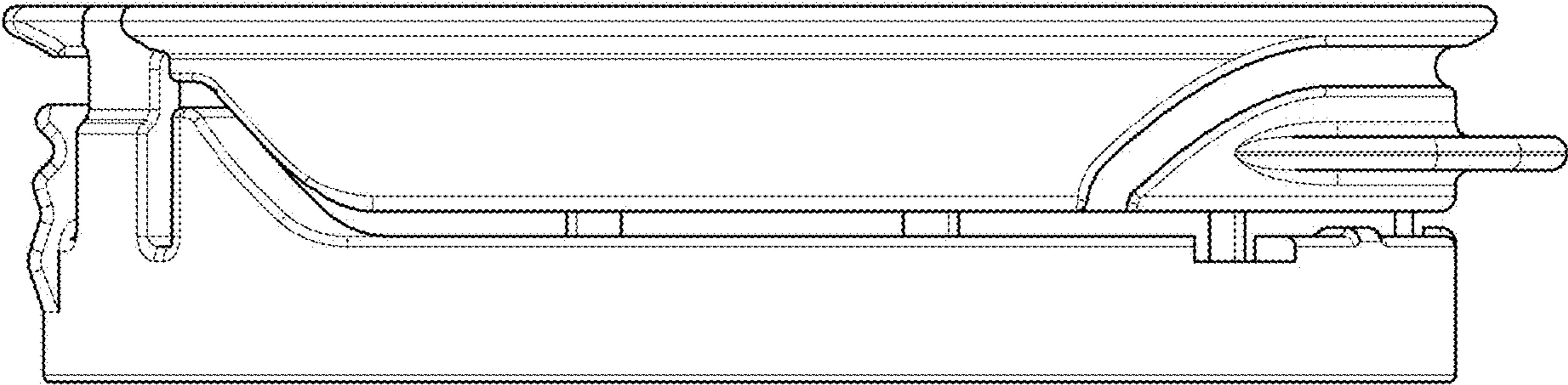
1.6



1.7



1.8



1.9

