



US00D939955S

(12) **United States Design Patent** (10) **Patent No.:** **US D939,955 S**  
**Jüngst** (45) **Date of Patent:** **\*\* Jan. 4, 2022**

- (54) **POD FOR BOTTLE SPOUT**
- (71) Applicant: **AIR UP GROUP GMBH**, Munich (DE)
- (72) Inventor: **Magdalena Jüngst**, Munich (DE)
- (73) Assignee: **air up group GmbH**, Munich (DE)
- (\*\*) Term: **15 Years**
- (21) Appl. No.: **29/737,763**
- (22) Filed: **Jun. 11, 2020**

**Related U.S. Application Data**

- (62) Division of application No. 35/506,540, filed on Jan. 10, 2019 (U.S. filing date under 35 U.S.C. 384), and having an international filing date of Jan. 10, 2019, now Pat. No. Des. 905,558.
- (51) **LOC (13) Cl.** ..... **09-07**
- (52) **U.S. Cl.**  
USPC ..... **D9/435**
- (58) **Field of Classification Search**  
USPC ..... D9/414, 415, 420, 426, 428, 429, 434, D9/435-453, 503, 505, 516, 520, 529, D9/544-545, 549, 558, 715, 719, 722; D7/391, 392, 392.1, 396.1, 396.2, 507, D7/509-511, 538, 629, 900; D3/202, D3/203.2, 294, 318  
CPC .. A61J 1/00; A61J 1/1412; B65D 1/00; B65D 1/02; B65D 1/10; B65D 1/46; B65D 5/46; B65D 41/00; B65D 41/38; B65D 41/56; B65D 41/62; B65D 47/00; B65D 47/06; B65D 47/08; B65D 2251/00; B65D 2543/00046; B65D 2543/00092; B65D 2543/00296

See application file for complete search history.

(56) **References Cited**

U.S. PATENT DOCUMENTS

|           |    |   |         |                |       |                         |
|-----------|----|---|---------|----------------|-------|-------------------------|
| D307,115  | S  | * | 4/1990  | Waymack        | ..... | D9/447                  |
| D309,710  | S  | * | 8/1990  | Groves         | ..... | D9/447                  |
| D333,265  | S  | * | 2/1993  | Lindsey        | ..... | D7/619.1                |
| D469,664  | S  |   | 2/2003  | Marks et al.   |       |                         |
| D601,861  | S  | * | 10/2009 | Richardson     | ..... | D7/624.1                |
| D644,062  | S  | * | 8/2011  | Lorenz         | ..... | D7/396.2                |
| 8,157,130 | B2 | * | 4/2012  | Murayama       | ..... | B25C 1/08<br>222/95     |
| 8,245,891 | B2 | * | 8/2012  | Eriksen        | ..... | B65D 47/40<br>222/481.5 |
| D668,150  | S  |   | 10/2012 | Crapser et al. |       |                         |
| D701,764  | S  | * | 4/2014  | Brower         | ..... | D9/440                  |
| D715,146  | S  | * | 10/2014 | Holmes         | ..... | D9/447                  |
| D723,917  | S  | * | 3/2015  | Koffel         | ..... | D9/447                  |
| D724,894  | S  |   | 3/2015  | Brosius        |       |                         |
| D751,394  | S  | * | 3/2016  | Chartier       | ..... | D9/440                  |
| D752,391  | S  |   | 3/2016  | Hatherell      |       |                         |
| 9,403,629 | B2 | * | 8/2016  | Accurso        | ..... | B01L 3/523              |
| D799,967  | S  |   | 10/2017 | Wade           |       |                         |
| D803,064  | S  |   | 11/2017 | Marina et al.  |       |                         |
| D812,428  | S  |   | 3/2018  | Wu             |       |                         |

(Continued)

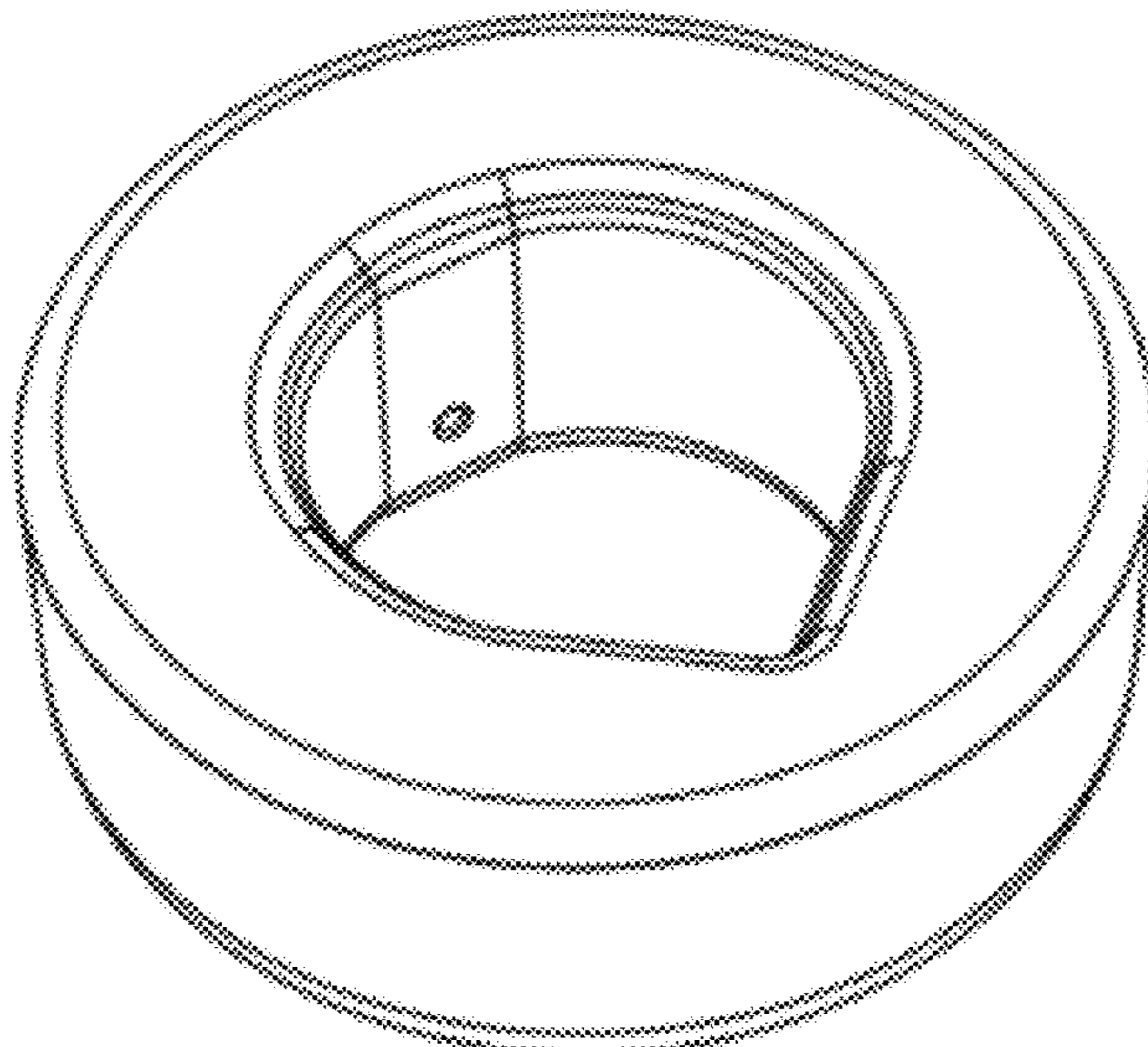
*Primary Examiner* — Bao-Yen T Nguyen  
(74) *Attorney, Agent, or Firm* — McAndrews, Held & Malloy, Ltd.

(57) **CLAIM**  
The ornamental design for a pod for bottle spout, as shown and described.

**DESCRIPTION**

FIG. 1 is a front perspective view of a pod for bottle spout showing my new design;  
FIG. 2 is a front view thereof, the side and rear views being identical thereto;  
FIG. 3 is a top view thereof; and,  
FIG. 4 is a bottom view thereof.  
Views of the pod not shown form no part of the claimed design.

**1 Claim, 4 Drawing Sheets**



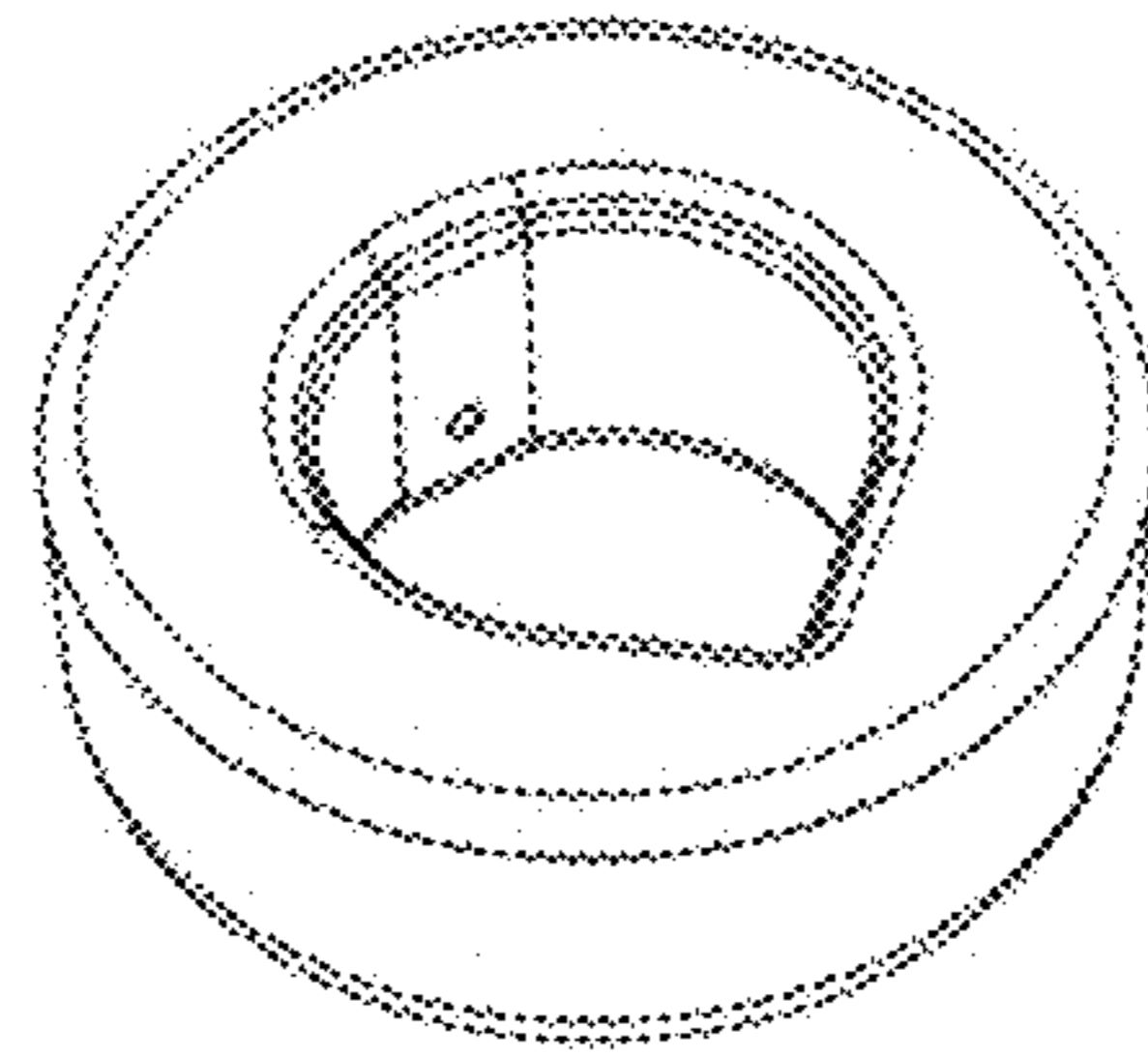
(56)

**References Cited**

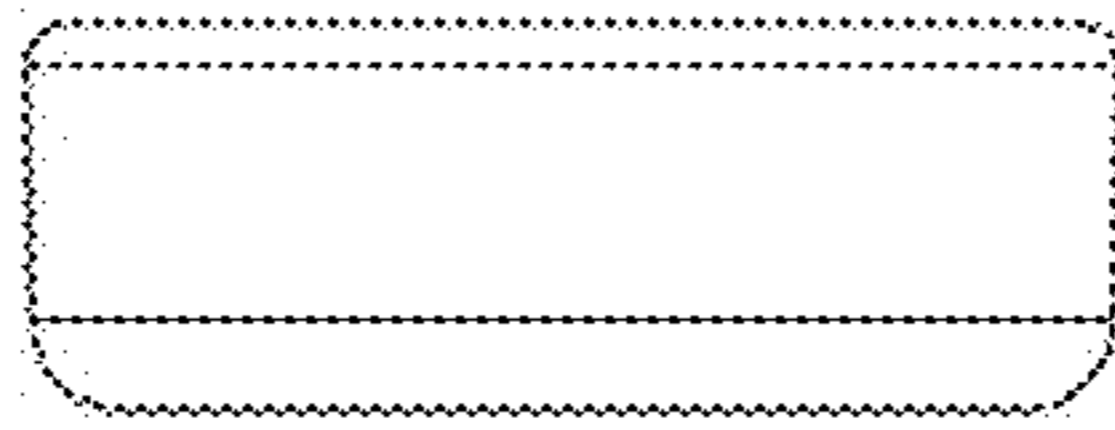
U.S. PATENT DOCUMENTS

|              |      |         |                 |                          |
|--------------|------|---------|-----------------|--------------------------|
| D813,679     | S    | 3/2018  | Bos et al.      |                          |
| D814,930     | S    | 4/2018  | Tremayne et al. |                          |
| D820,677     | S    | 6/2018  | D'Anglade       |                          |
| D821,137     | S    | 6/2018  | Boroski         |                          |
| D821,197     | S    | 6/2018  | Cook et al.     |                          |
| D829,101     | S    | 9/2018  | Spivey et al.   |                          |
| D831,482     | S    | 10/2018 | Meyers          |                          |
| D833,874     | S *  | 11/2018 | Harrison        | D9/500                   |
| D835,264     | S *  | 12/2018 | Mozzicato       | D24/121                  |
| D836,440     | S *  | 12/2018 | Girins          | D9/453                   |
| D838,167     | S    | 1/2019  | Lopynski        |                          |
| D838,589     | S    | 1/2019  | Bruining        |                          |
| D851,446     | S    | 6/2019  | Lindsay et al.  |                          |
| 10,464,712   | B2   | 11/2019 | Campbell        |                          |
| D869,909     | S    | 12/2019 | Campbell et al. |                          |
| D871,836     | S    | 1/2020  | Campbell et al. |                          |
| D886,609     | S *  | 6/2020  | Accurso         | D9/454                   |
| D900,605     | S *  | 11/2020 | Li              | D9/447                   |
| D901,237     | S *  | 11/2020 | Matauch         | D7/392.1                 |
| 2008/0197099 | A1 * | 8/2008  | Pawlick         | B65D 49/00<br>215/14     |
| 2013/0256310 | A1   | 10/2013 | Hojo            |                          |
| 2014/0339270 | A1 * | 11/2014 | Johnson         | G06F 3/0304<br>222/464.1 |
| 2016/0376061 | A1   | 12/2016 | Shirley et al.  |                          |
| 2017/0029156 | A1   | 2/2017  | Eguchi et al.   |                          |

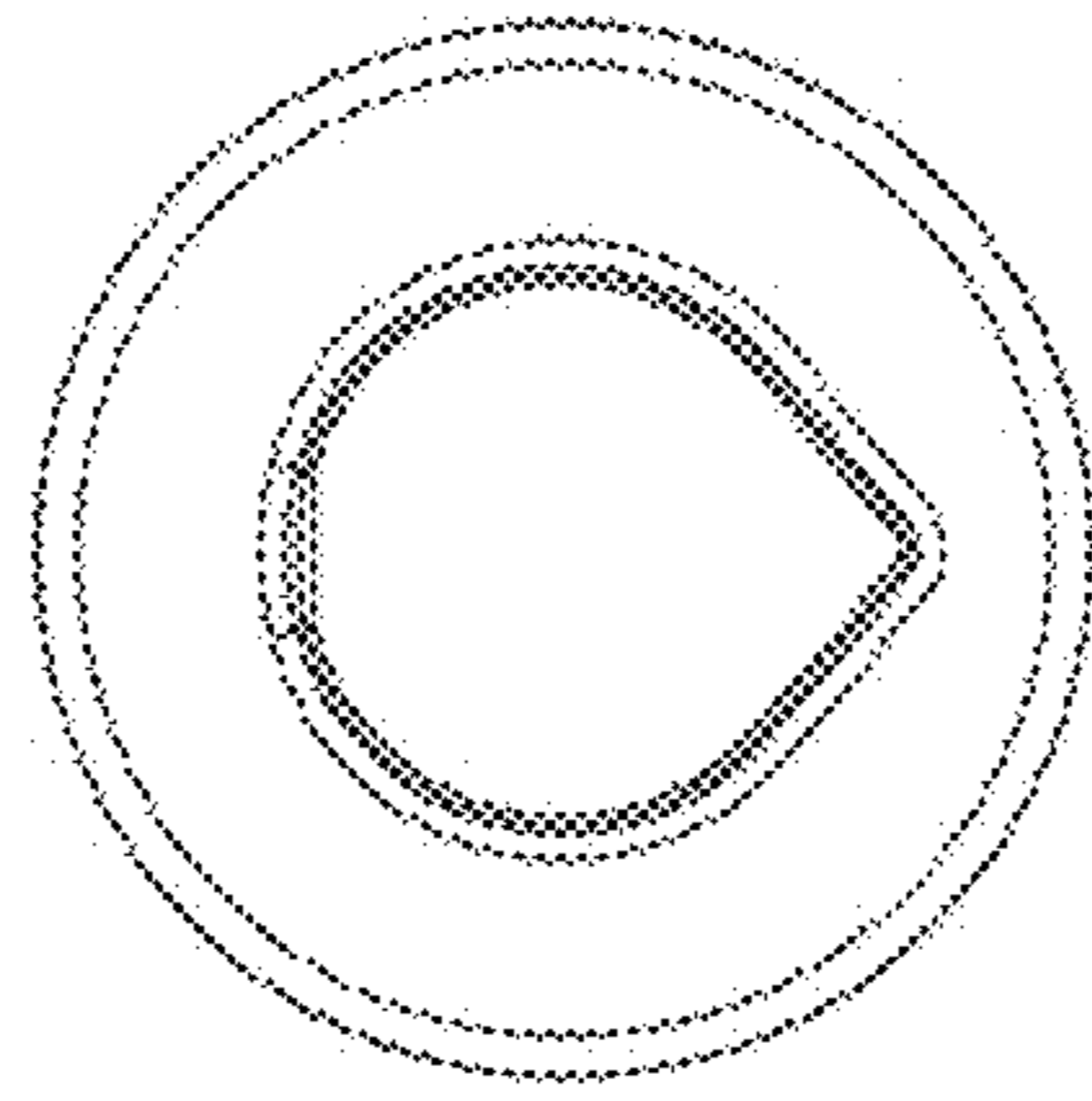
\* cited by examiner



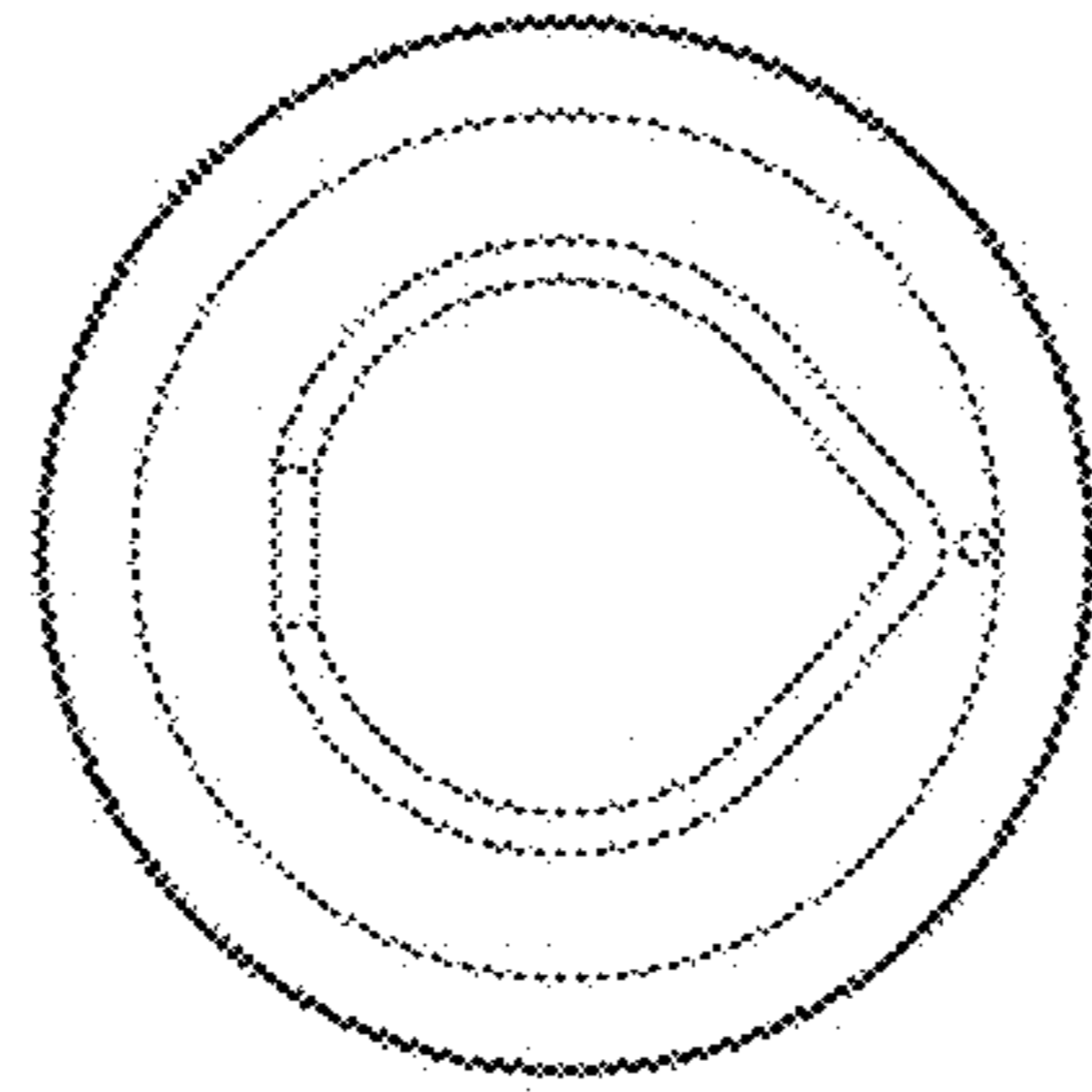
**FIG. 1**



**FIG. 2**



**FIG. 3**



**FIG. 4**