



US00D939953S

(12) **United States Design Patent**
Ryou

(10) **Patent No.:** **US D939,953 S**

(45) **Date of Patent:** **** Jan. 4, 2022**

(54) **CONTAINER**

(71) Applicant: **NEOSIL CO., LTD.**, Busan (KR)

(72) Inventor: **Woo Ryong Ryou**, Busan (KR)

(73) Assignee: **NEOSIL CO., LTD.**

(**) Term: **15 Years**

(21) Appl. No.: **29/733,138**

(22) Filed: **Apr. 29, 2020**

(51) **LOC (13) Cl.** **09-03**

(52) **U.S. Cl.**
USPC **D9/428**

(58) **Field of Classification Search**
USPC D7/400, 601, 608; D9/416, 417, 420,
D9/425-429, 430, 432, 556, 761
CPC . B65D 1/26; B65D 1/40; B65D 5/243; B65D
81/3453; B65D 2581/34; B65D
2581/3404; B65D 2581/3456
See application file for complete search history.

(56) **References Cited**

U.S. PATENT DOCUMENTS

D380,647 S * 7/1997 Durand D7/523
D404,682 S * 1/1999 Baran D11/152

D421,393 S * 3/2000 Pavely D9/540
D491,021 S * 6/2004 Webb D7/523
D505,882 S * 6/2005 Hensen D11/152
D556,595 S * 12/2007 Rucinski D9/556
D582,783 S * 12/2008 Little D9/556
D595,139 S * 6/2009 Darr D9/538
D661,198 S * 6/2012 Duecker D9/556

* cited by examiner

Primary Examiner — Janice Patyk

(74) *Attorney, Agent, or Firm* — Renaissance IP Law Group LLP

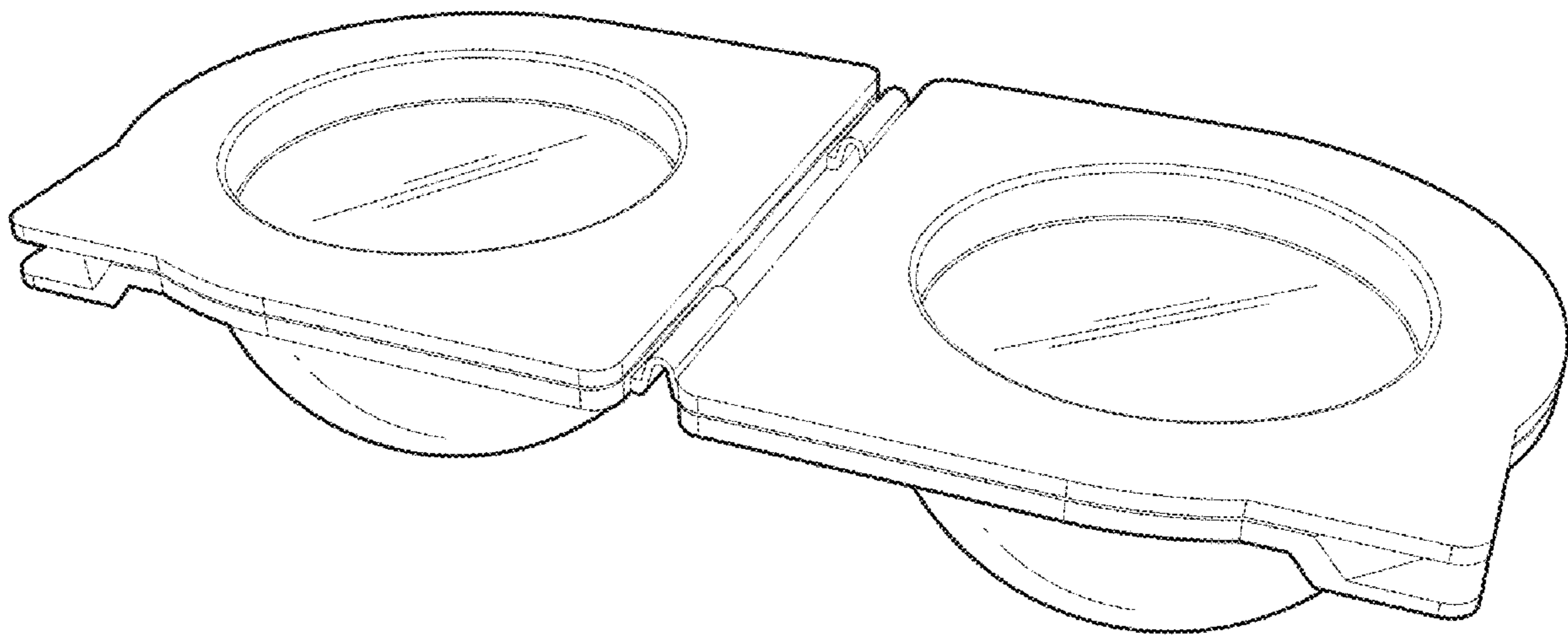
(57) **CLAIM**

The ornamental design for a container, as shown and described.

DESCRIPTION

FIG. 1 is a perspective view of a container, showing my new design;
FIG. 2 is a front view thereof;
FIG. 3 is a rear view thereof;
FIG. 4 is a left side view thereof;
FIG. 5 is a right side view thereof;
FIG. 6 is a top plan view thereof; and,
FIG. 7 is a bottom plan view thereof.

1 Claim, 2 Drawing Sheets



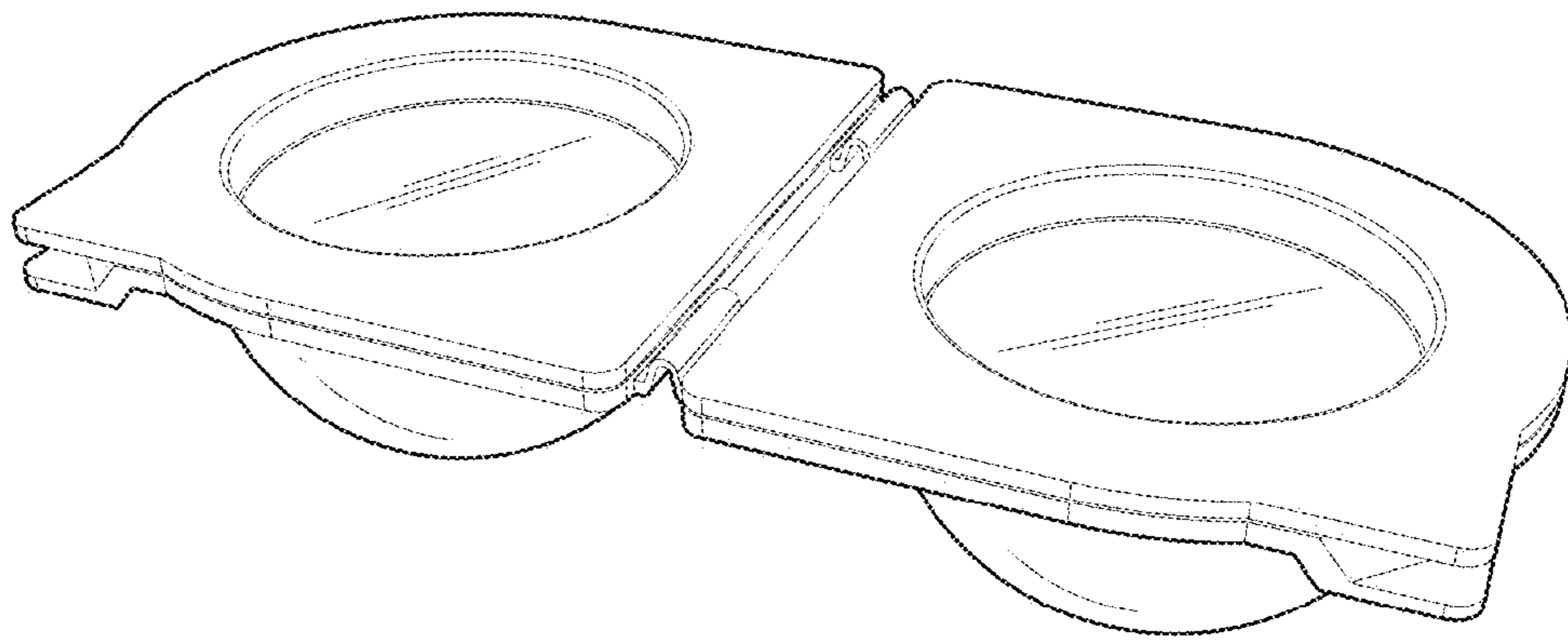


FIG. 1

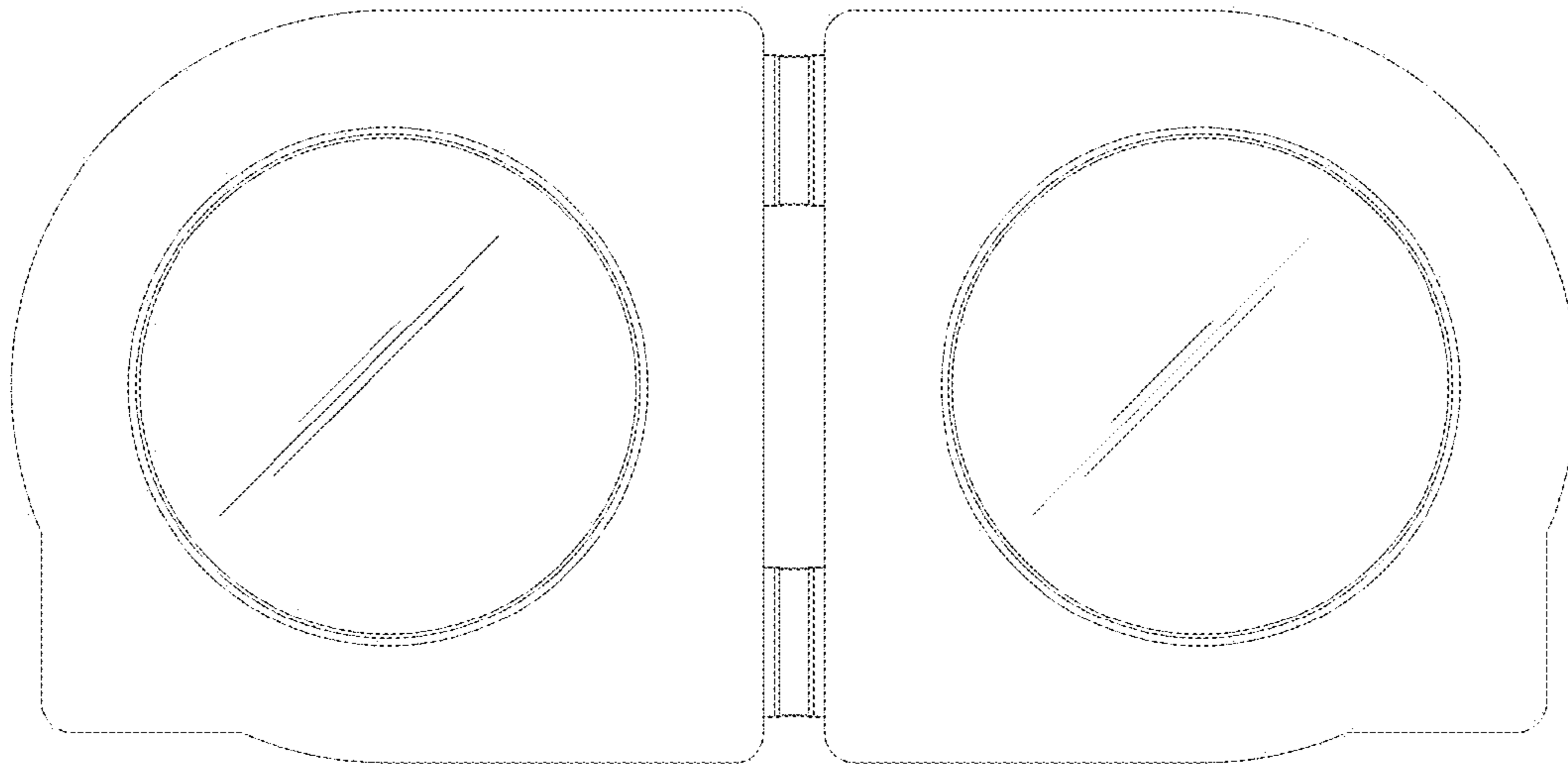


FIG. 2

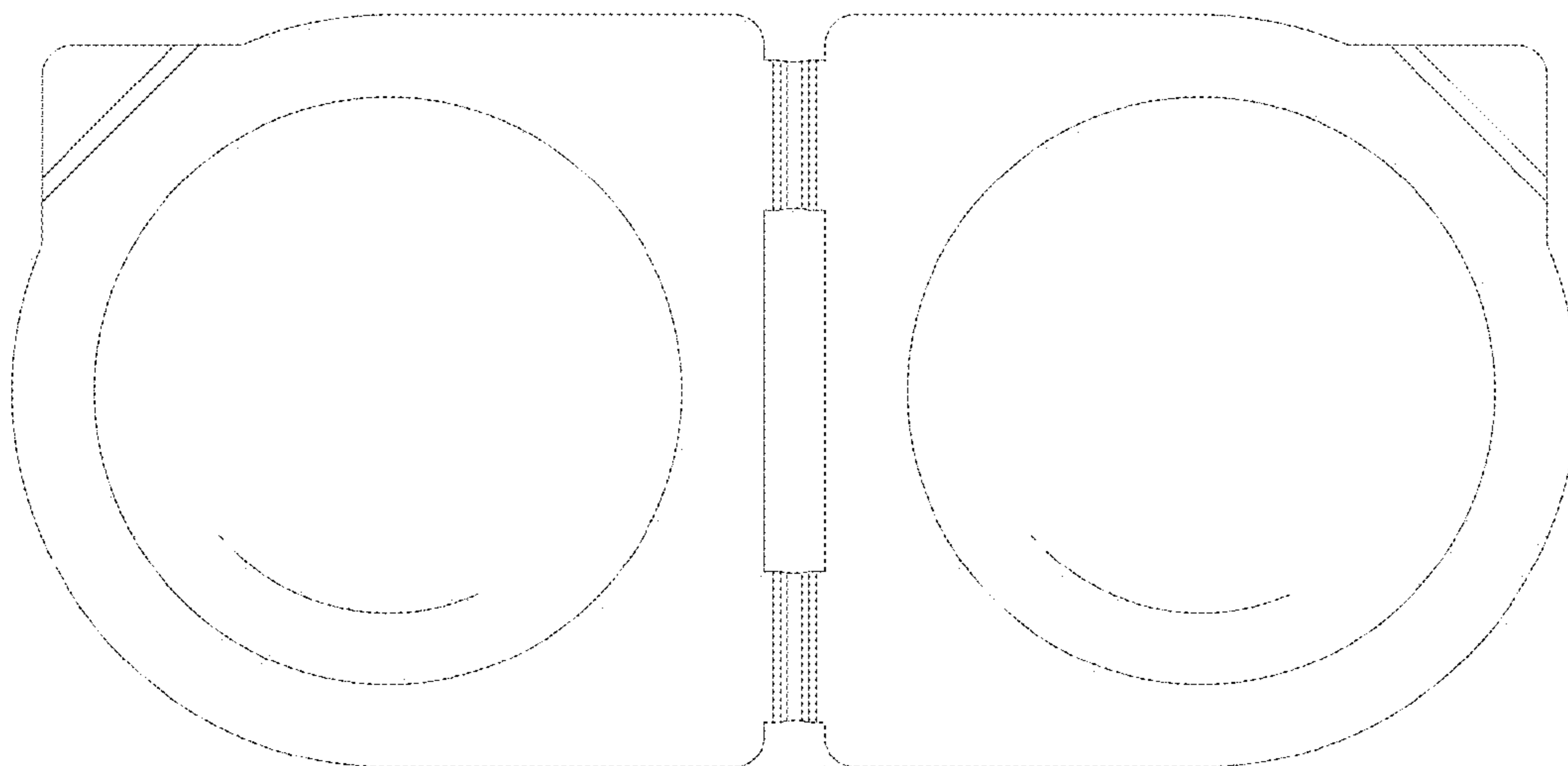


FIG. 3

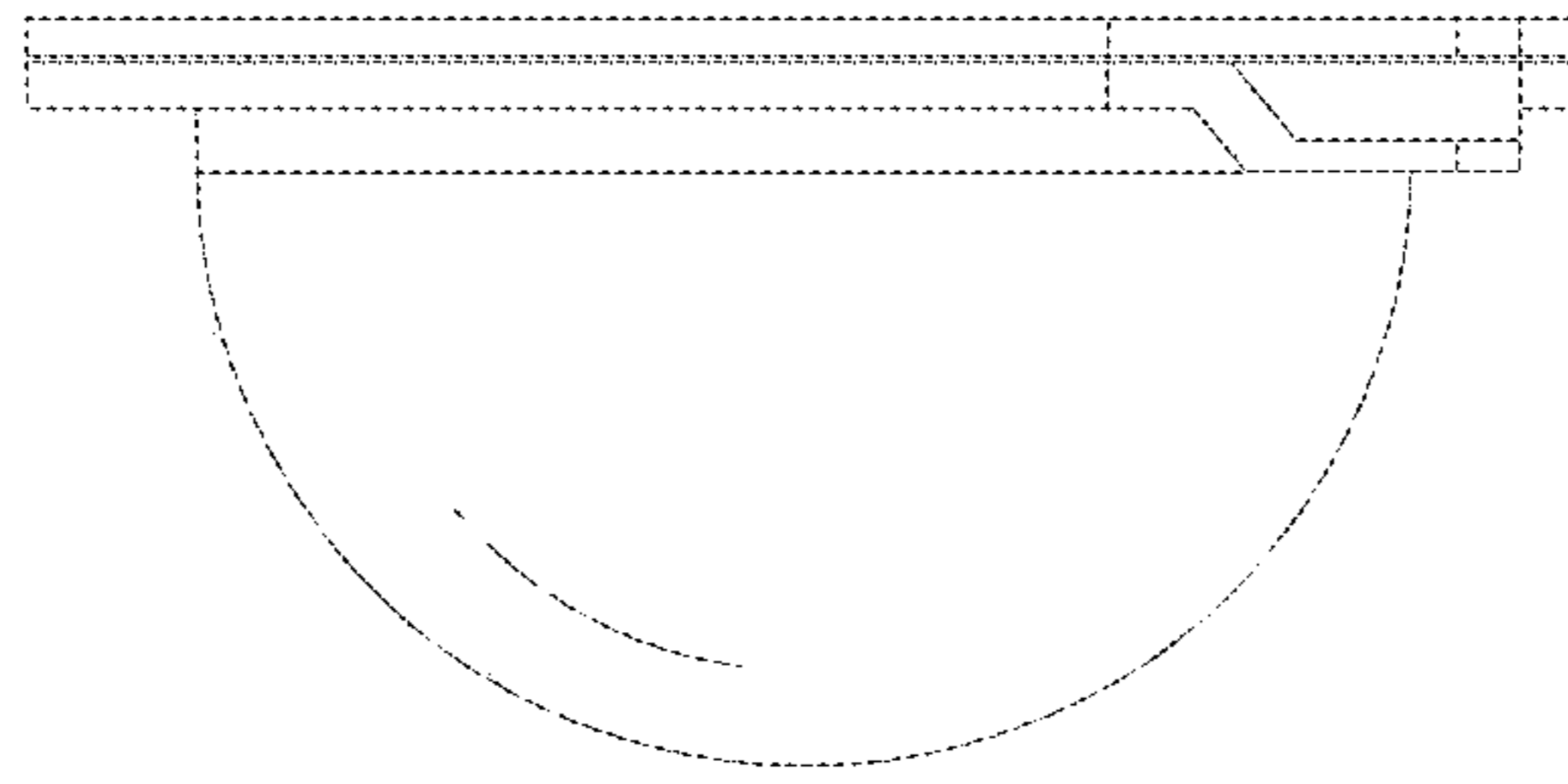


FIG. 4

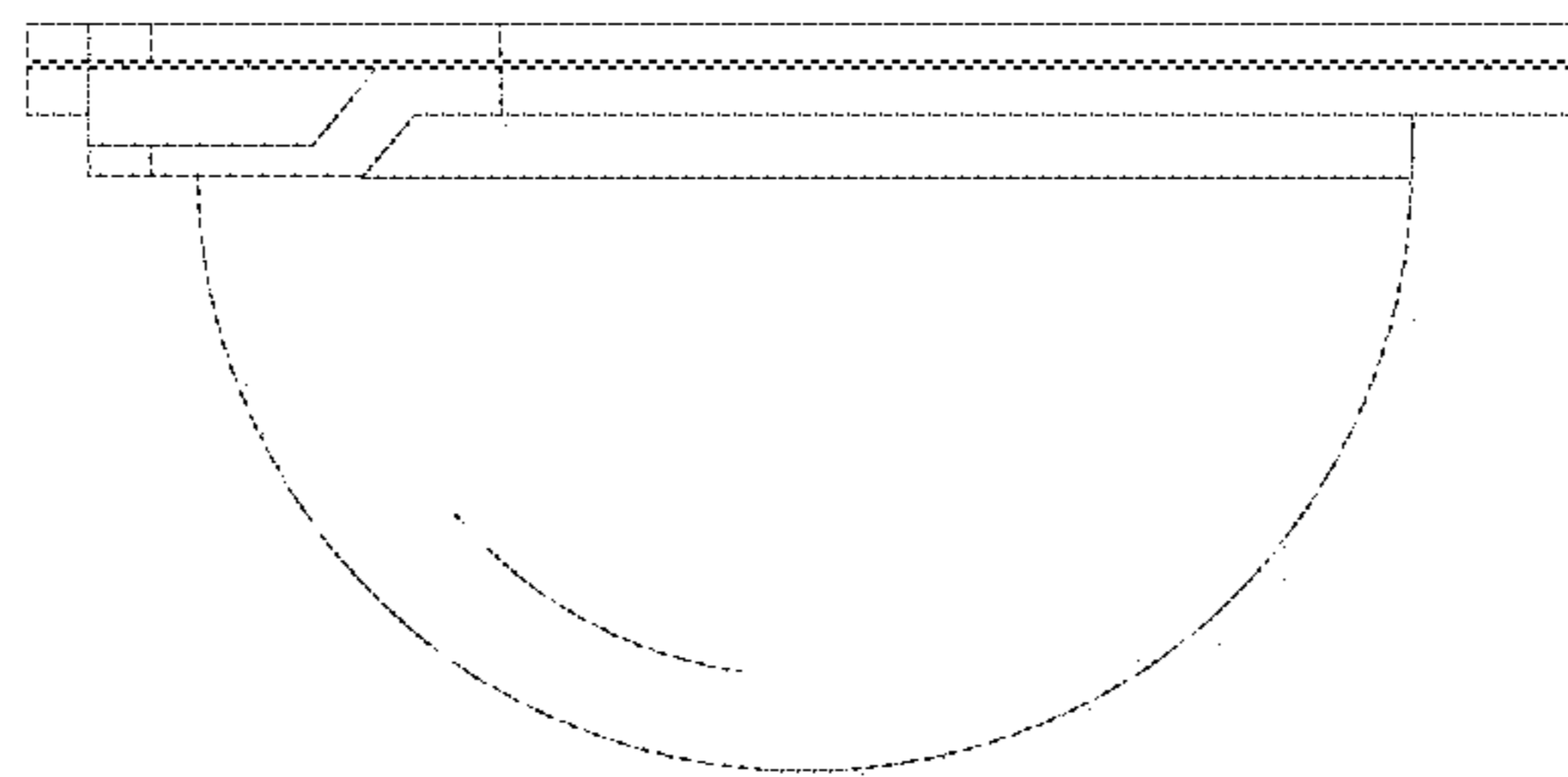


FIG. 5

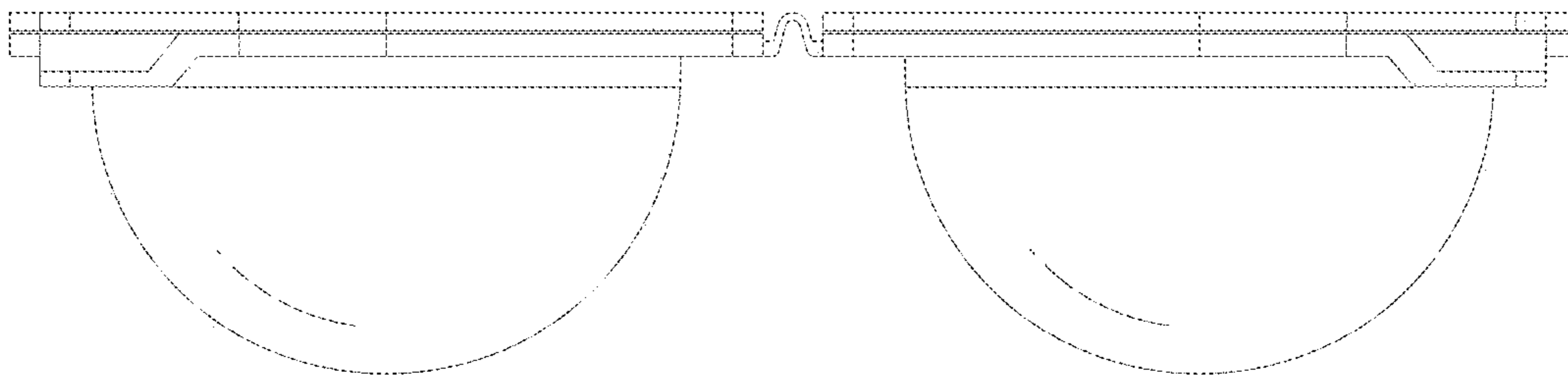


FIG. 6

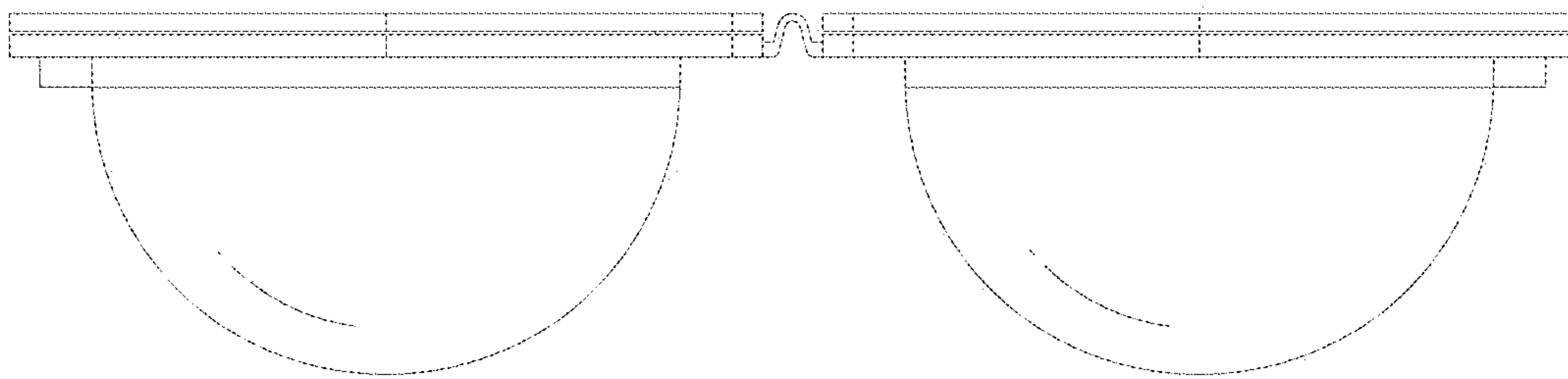


FIG. 7