



US00D939952S

(12) **United States Design Patent**  
**Phillips**

(10) **Patent No.:** **US D939,952 S**

(45) **Date of Patent:** **\*\* Jan. 4, 2022**

(54) **CONTAINER**

(71) Applicant: **Top Manufacturing LLC**

(72) Inventor: **Tyler Phillips**, Germantown, MD (US)

(73) Assignee: **RentACoop LLC**, Germantown, MD (US)

(\*\*) Term: **15 Years**

(21) Appl. No.: **29/697,547**

(22) Filed: **Jul. 9, 2019**

(51) **LOC (13) Cl.** ..... **09-03**

(52) **U.S. Cl.**  
USPC ..... **D9/423**

(58) **Field of Classification Search**  
USPC ..... D9/423, 444, 420, 447, 734, 529, 451, D9/500, 523, 504, 414, 709, 430-432, D9/560; D6/610, 674; D3/203.2, 294, D3/298, 203.1; D30/108; D7/392, 391; D22/199; D19/73; D32/37; D27/162; D34/7  
CPC ..... B65D 43/163; B65D 47/0847; F25D 3/08  
See application file for complete search history.

D462,613 S \* 9/2002 Bried ..... D3/294  
D502,360 S \* 3/2005 Kautz ..... D6/610  
7,124,909 B1 \* 10/2006 Armato ..... B65D 43/163  
220/836  
D569,720 S \* 5/2008 Lablaine ..... D9/420  
D577,250 S \* 9/2008 Zanaletti ..... D7/391  
D583,561 S \* 12/2008 Krusenstjerna ..... D3/298  
D586,221 S \* 2/2009 Shaikh ..... D9/523  
D590,656 S \* 4/2009 Patti ..... D7/392  
D592,966 S \* 5/2009 Nissen ..... D9/560  
D603,698 S \* 11/2009 VerWeyst ..... D9/500  
D625,192 S \* 10/2010 Kooser ..... D9/504  
D630,108 S \* 1/2011 Wilson ..... D9/734  
D651,085 S \* 12/2011 Frias ..... D9/451  
D651,519 S \* 1/2012 Gibson ..... D9/529  
D651,525 S \* 1/2012 Chin ..... D9/734  
D652,293 S \* 1/2012 Sander ..... D9/432  
D667,733 S \* 9/2012 Beihoffer ..... D9/734  
D668,951 S \* 10/2012 Voelker ..... D9/430  
D682,679 S \* 5/2013 Thomason ..... D9/431  
D684,049 S \* 6/2013 McCarthy ..... D9/432

(Continued)

*Primary Examiner* — Rhea Shields  
(74) *Attorney, Agent, or Firm* — Kanika Radhakrishnan;  
Evergreen Valley Law Group

(57) **CLAIM**

The ornamental design for a container, as shown and described.

**DESCRIPTION**

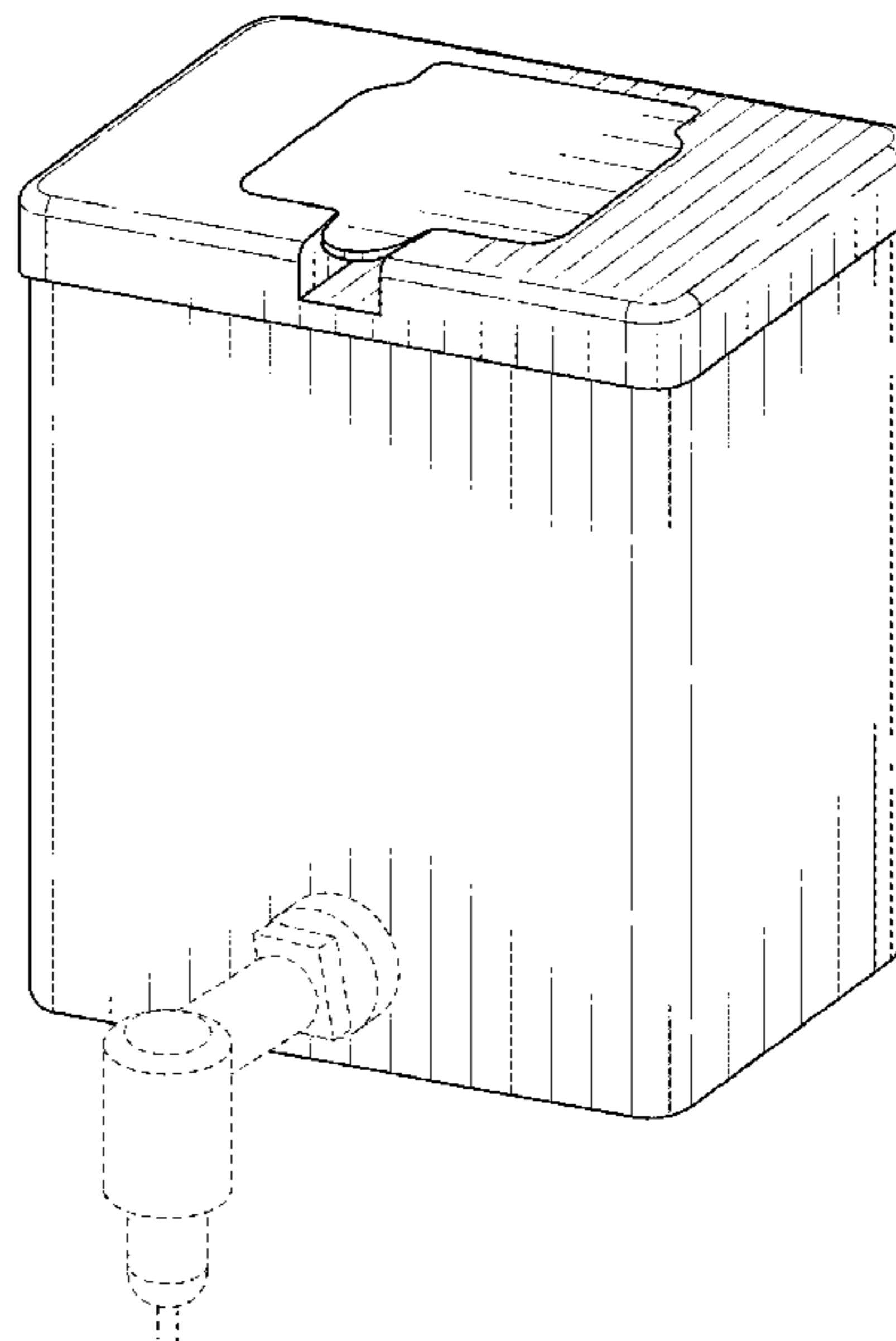
FIG. 1 is a perspective view of the container;  
FIG. 2 is a rear view of the container;  
FIG. 3 shows a front view of the container;  
FIG. 4 shows a first side view of the container;  
FIG. 5 shows a top view of the container;  
FIG. 6 shows a bottom view of the container; and,  
FIG. 7 shows a top view of the container top.  
The portions of the container shown in broken lines form no part of the claimed design.

**1 Claim, 5 Drawing Sheets**

(56) **References Cited**

**U.S. PATENT DOCUMENTS**

D284,714 S \* 7/1986 Thor ..... D22/199  
5,085,331 A \* 2/1992 Groya ..... B65D 47/0847  
215/235  
D331,683 S \* 12/1992 Koester ..... D30/108  
5,462,168 A \* 10/1995 Oberhelman ..... F25D 3/08  
206/457  
D386,001 S \* 11/1997 Saffran ..... D9/423  
D407,973 S \* 4/1999 Miller ..... D9/423  
D423,167 S \* 4/2000 Welch ..... D34/7  
D431,458 S \* 10/2000 Bried ..... D3/203.2  
D442,780 S \* 5/2001 Hiernard ..... D3/294  
D456,713 S \* 5/2002 Bried ..... D9/447



(56)

**References Cited**

U.S. PATENT DOCUMENTS

D691,883	S	*	10/2013	Thomason	.....	D9/432
D703,529	S	*	4/2014	Voelker	.....	D9/430
D716,667	S	*	11/2014	James	.....	D9/709
D721,759	S	*	1/2015	Siegel	.....	D19/73
D730,167	S	*	5/2015	Burgess	.....	D9/414
D752,970	S	*	4/2016	Giraud	.....	D9/420
D761,551	S	*	7/2016	Stueckemann	.....	D3/203.1
D776,526	S	*	1/2017	Hendricks	.....	D9/430
D777,572	S	*	1/2017	Mast	.....	D9/444
D779,319	S	*	2/2017	Hoggarth	.....	D9/432
D858,150	S	*	9/2019	Kamondy	.....	D6/674
D876,216	S	*	2/2020	Holka	.....	D9/423
D876,948	S	*	3/2020	Dietvorst	.....	D9/420
D910,235	S	*	2/2021	Barbaric	.....	D27/162
D925,149	S	*	7/2021	Huang	.....	D32/37
D926,593	S	*	8/2021	Frandsen	.....	D9/734

\* cited by examiner

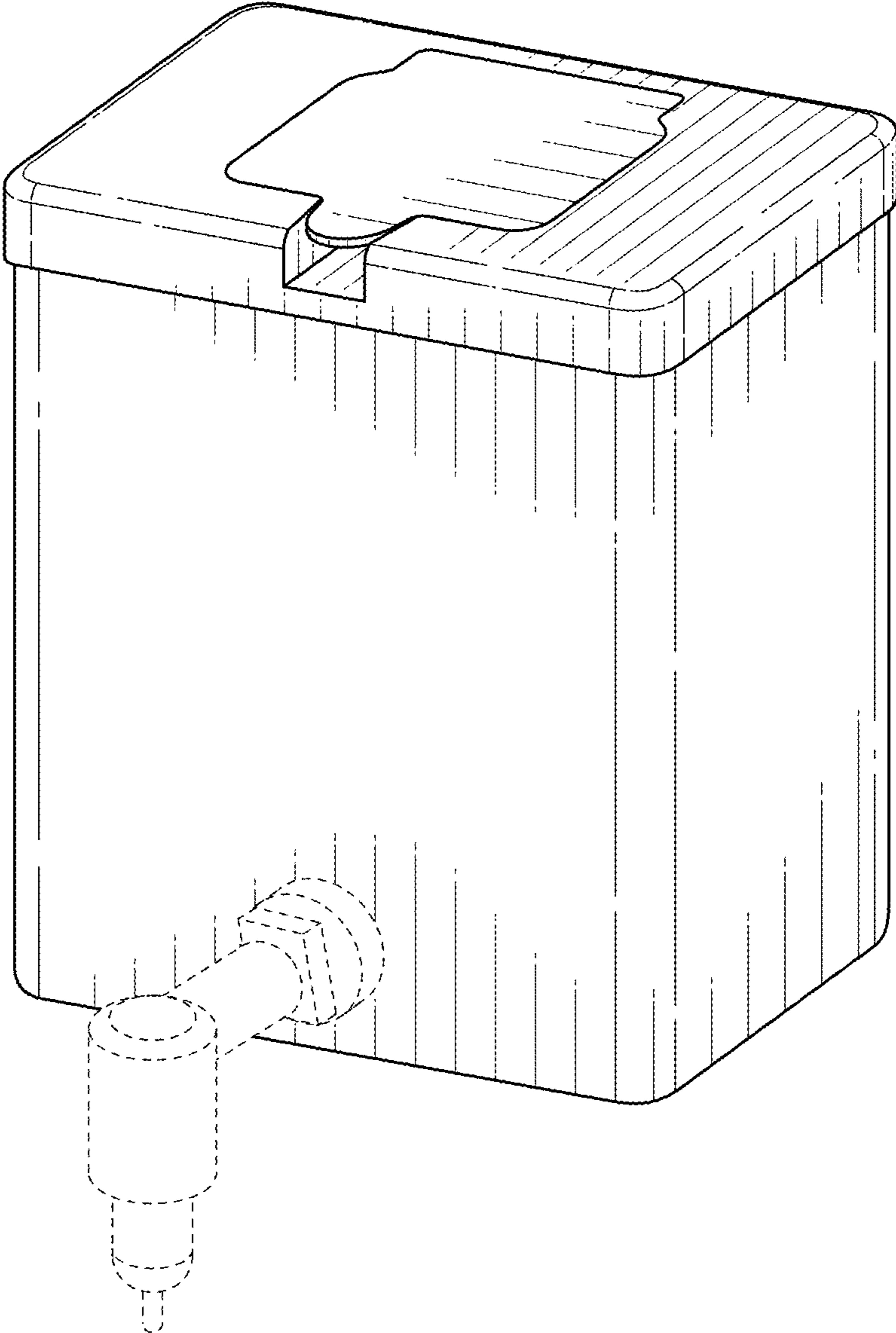


FIG. 1

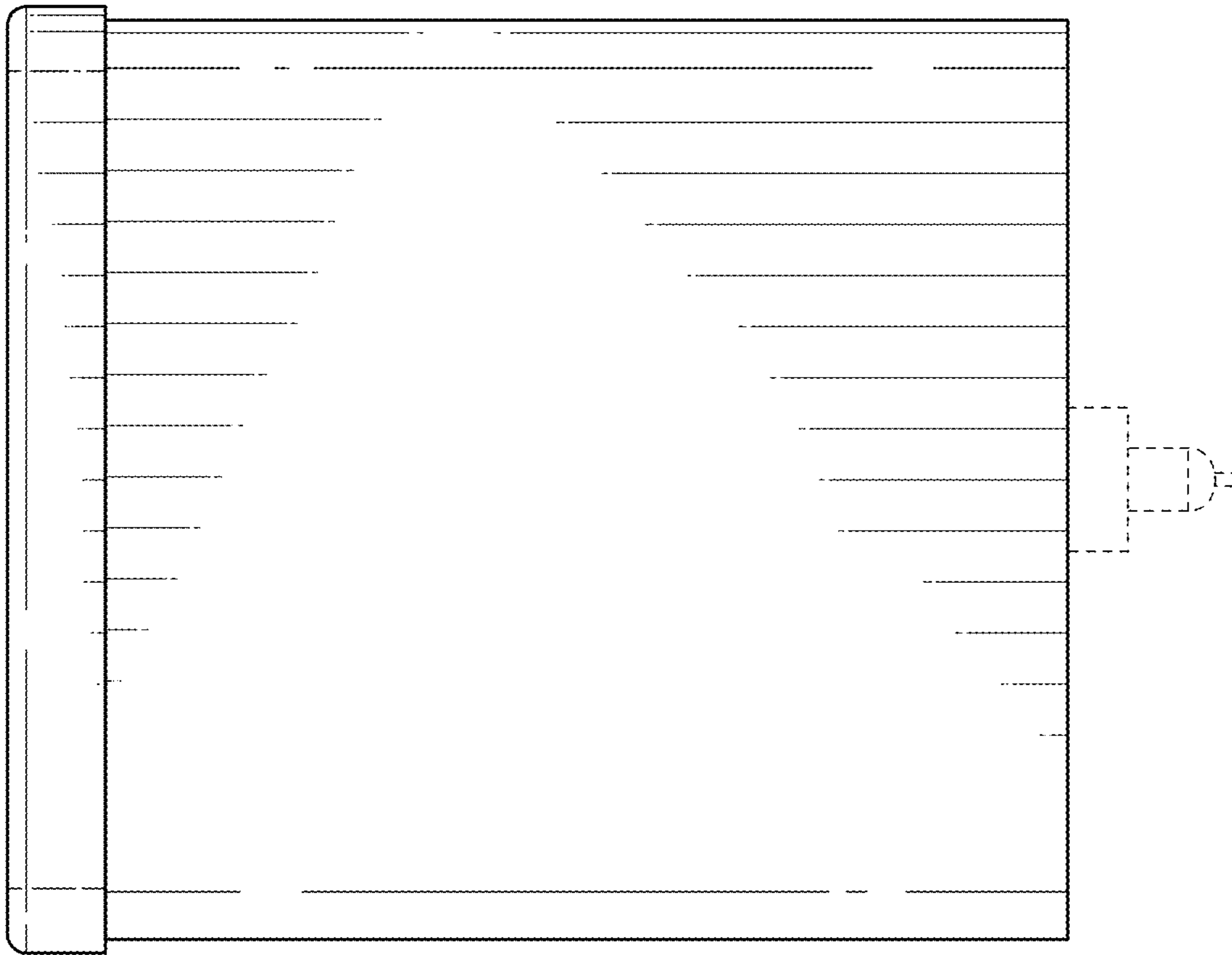


FIG. 3

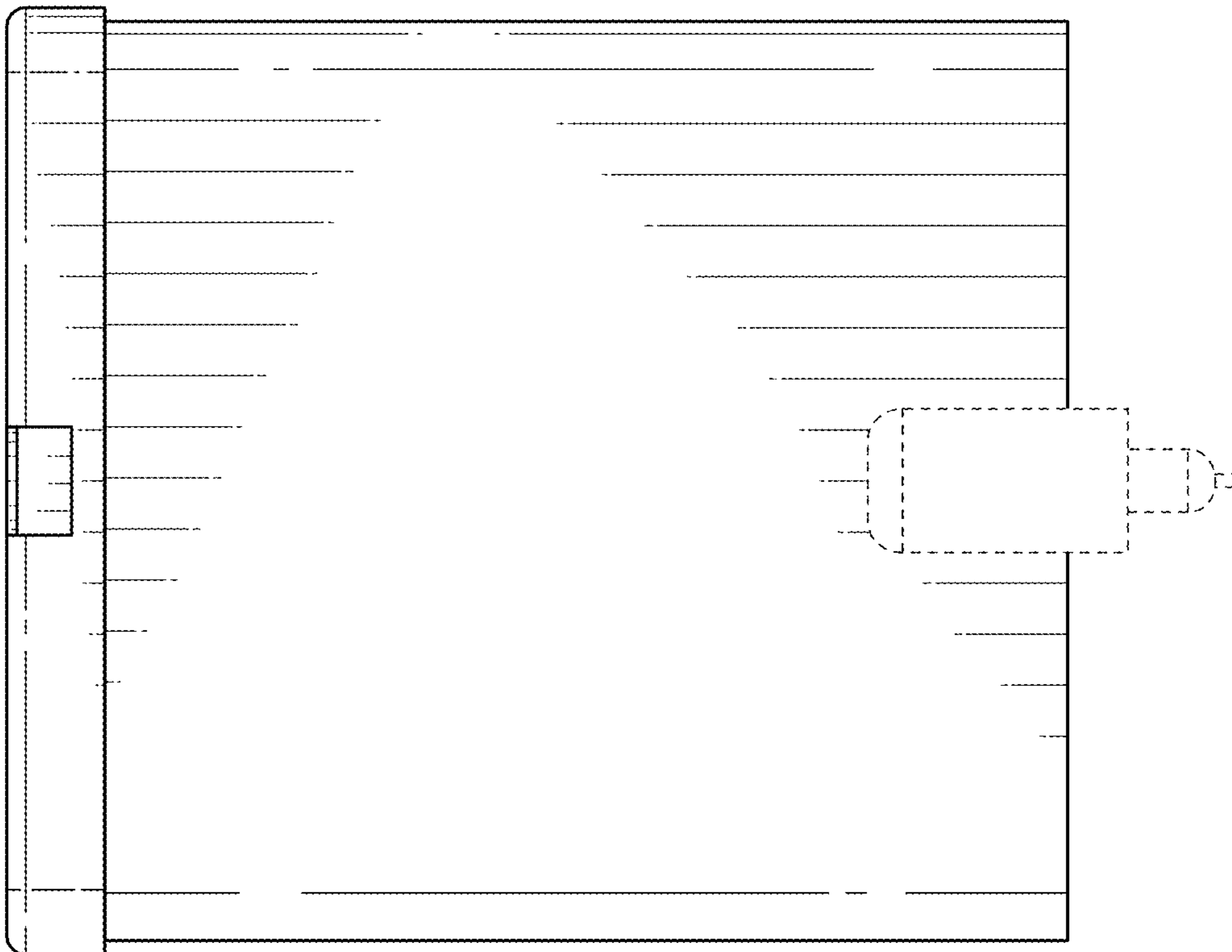


FIG. 2

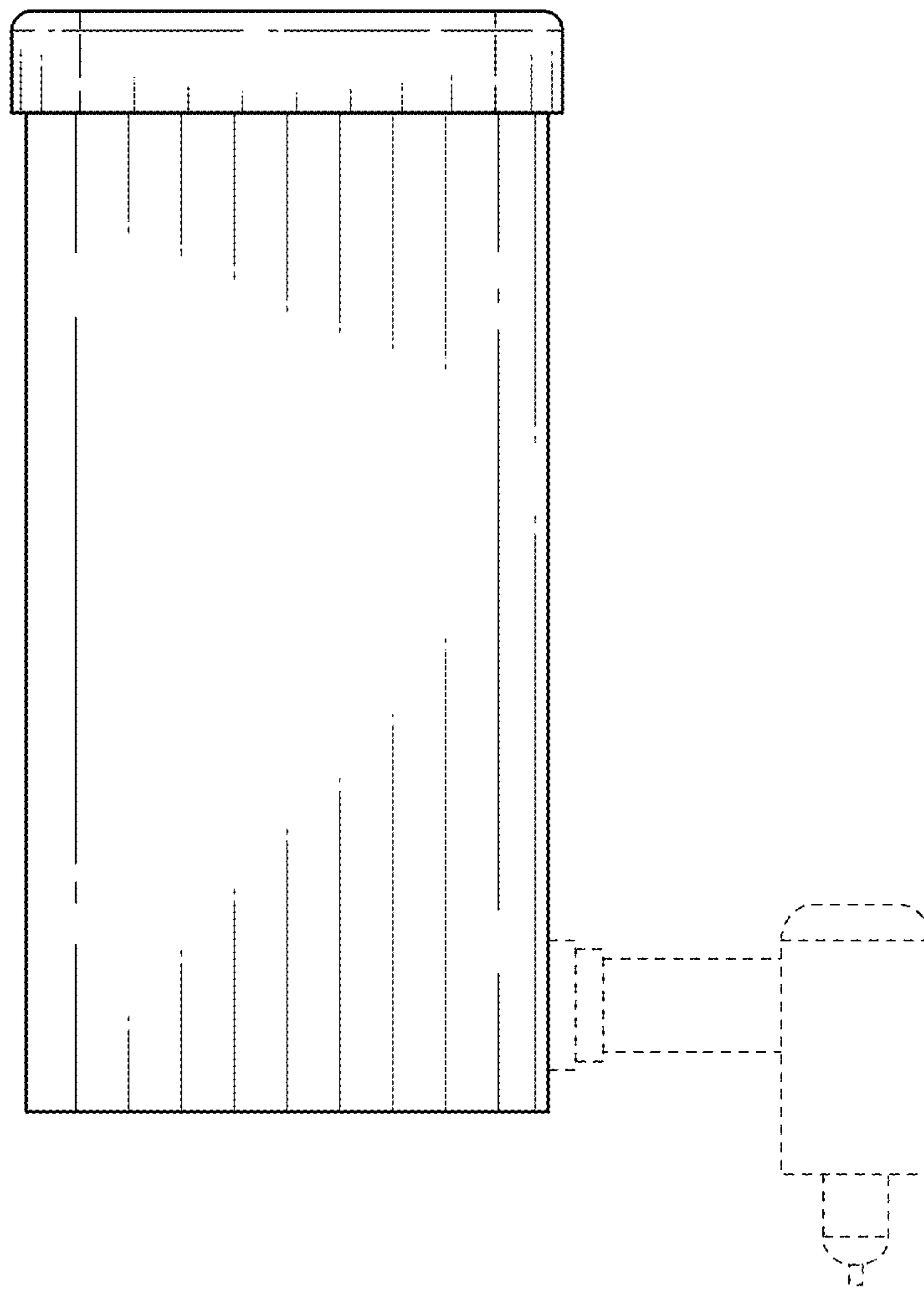


FIG. 4

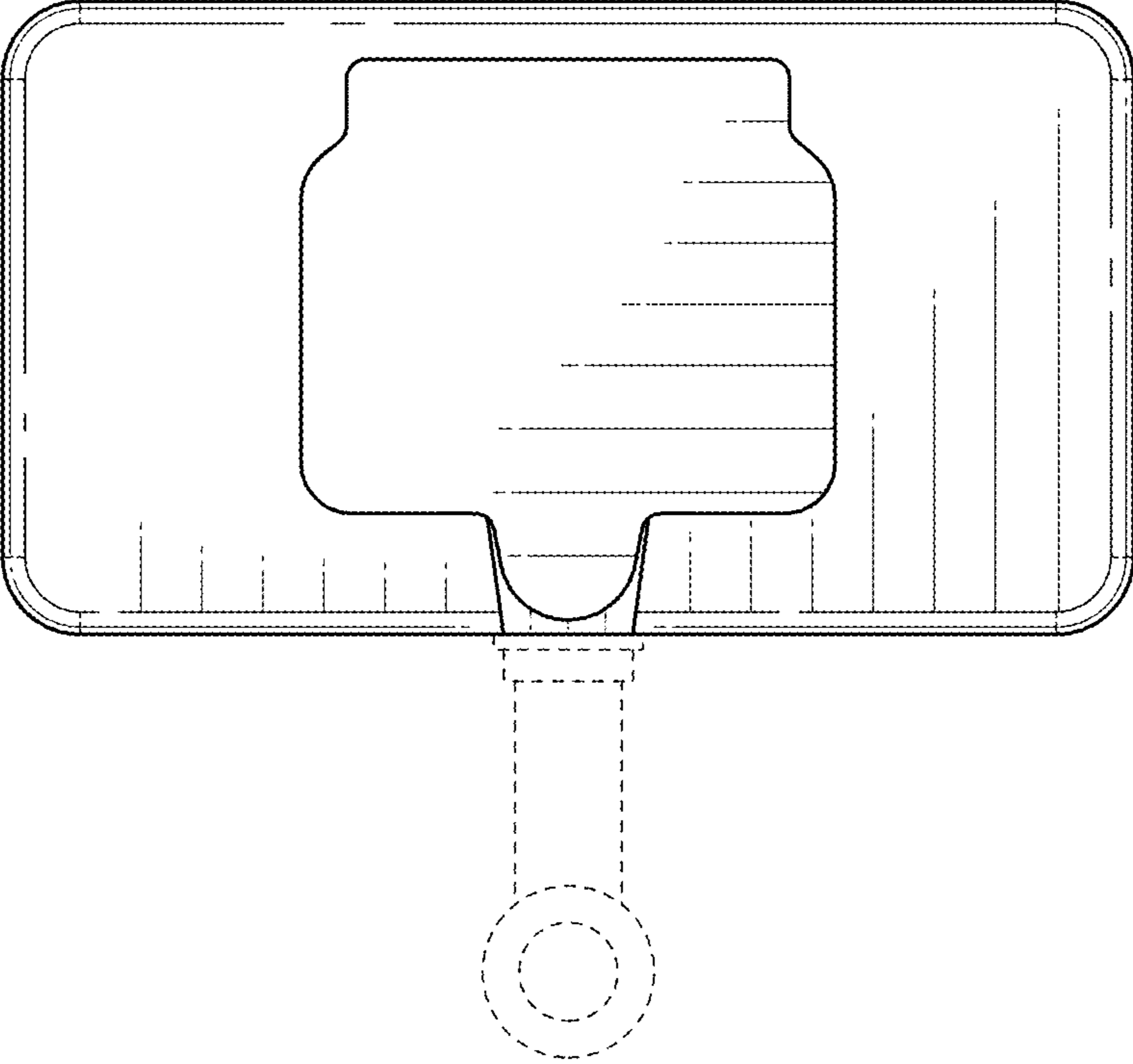


FIG. 5

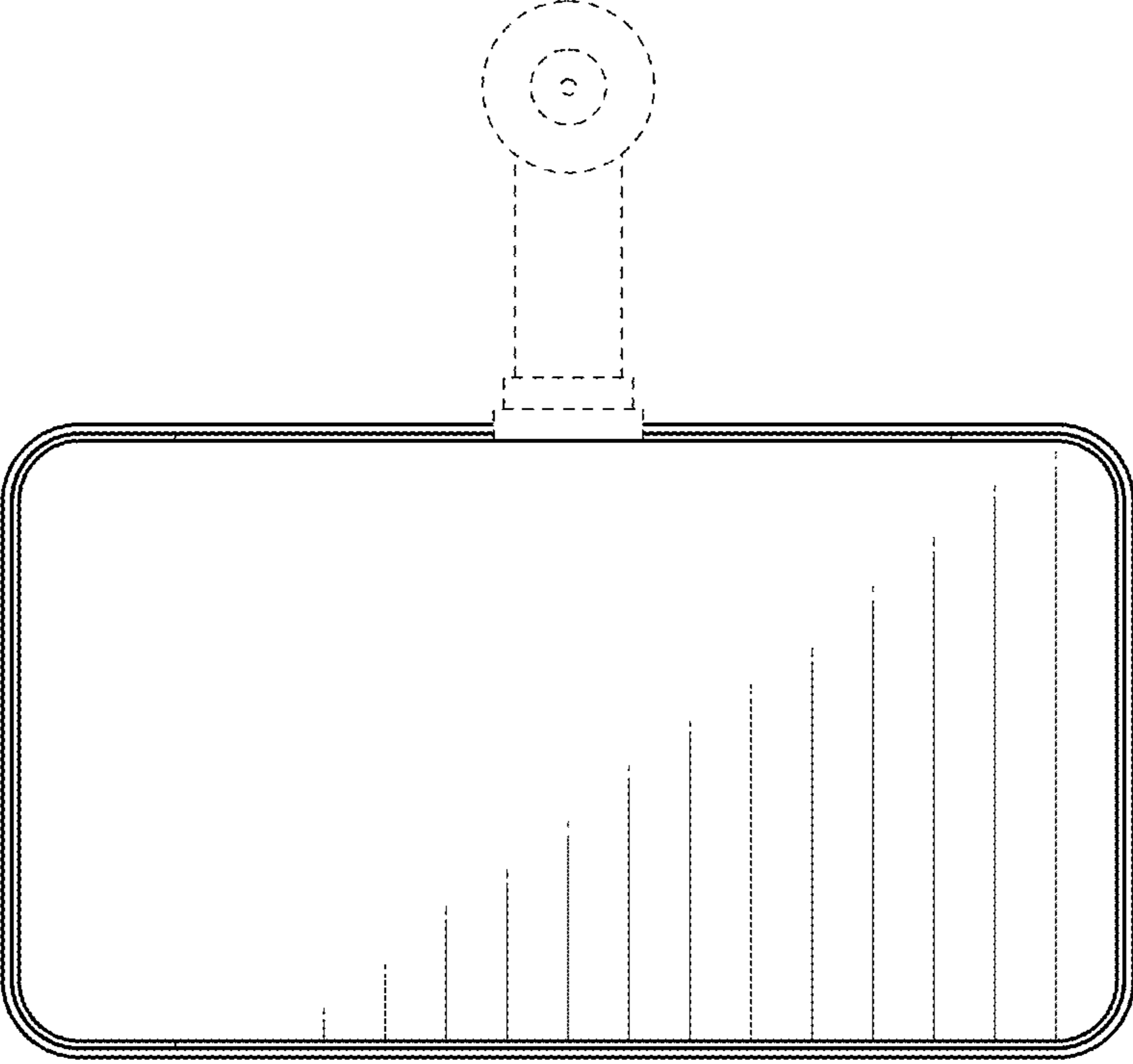


FIG. 6



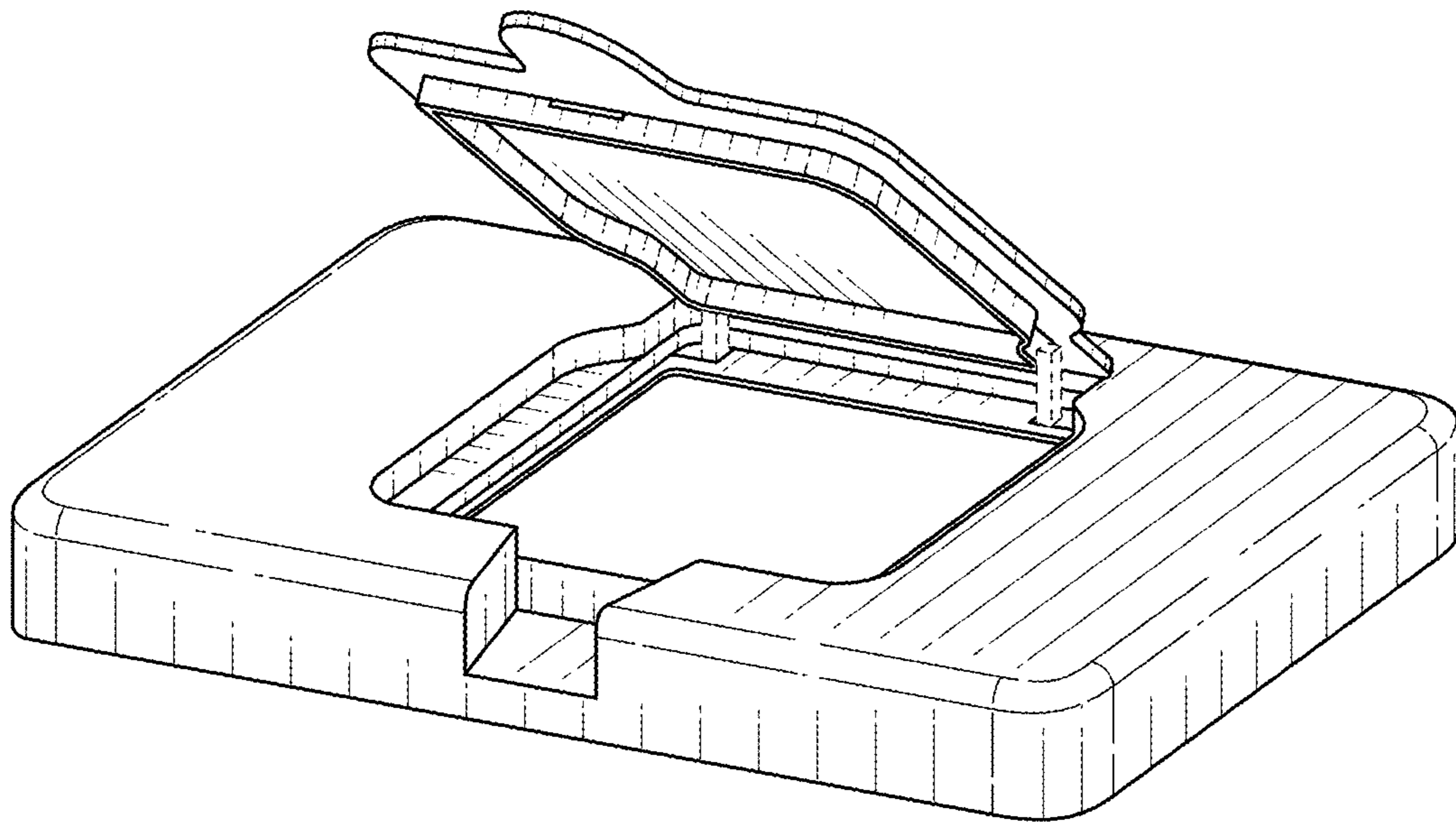


FIG. 7