



US00D939950S

(12) **United States Design Patent**  
**Huchet**

(10) **Patent No.:** **US D939,950 S**

(45) **Date of Patent:** **\*\* Jan. 4, 2022**

(54) **DISPENSER PACKAGING**

D381,263 S \* 7/1997 O'Brien ..... D9/415  
D393,799 S \* 4/1998 Pope ..... D9/415  
5,813,570 A \* 9/1998 Fuchs ..... B05B 11/02  
222/82

(71) Applicant: **Aptar Radolfzell GmbH**, Radolfzell  
(DE)

(Continued)

(72) Inventor: **Line Huchet**, Saint-Germain-en-Laye  
(FR)

(73) Assignee: **APTAR RADOLFZELL GMBH**,  
Radolfzell (DE)

(\*\*) Term: **15 Years**

(21) Appl. No.: **29/734,652**

(22) Filed: **May 14, 2020**

(30) **Foreign Application Priority Data**

Apr. 3, 2020 (EM) ..... 007784103

(51) **LOC (13) Cl.** ..... **09-03**

(52) **U.S. Cl.**  
USPC ..... **D9/418; D9/420**

(58) **Field of Classification Search**  
USPC ..... D9/414-418, 420, 422, 423, 430, 424,  
D9/426, 428, 432, 433, 456, 499, 500,  
D9/700, 721, 722, 731, 753, 768, 770,  
D9/771, 431, 457, 708, 715, 734, 737,  
D9/629, 723, 724, 732; D6/642  
CPC .. B65D 43/162; B65D 43/163; B65D 43/161;  
B05B 11/3059; B05B 11/0027  
See application file for complete search history.

(56) **References Cited**

**U.S. PATENT DOCUMENTS**

D292,879 S \* 11/1987 Smith ..... D9/415  
D295,608 S \* 5/1988 Tonduti ..... D9/558  
D306,403 S \* 3/1990 Hill ..... D9/415  
D330,331 S \* 10/1992 Hsiao ..... D9/732  
D355,844 S \* 2/1995 Bishop ..... D24/114  
D378,718 S \* 4/1997 Daansen ..... D6/542

**OTHER PUBLICATIONS**

Packworld. Aptar Pharma: Nasal Unidose Device. Authored by  
Melissa Griffen. Published Oct. 8, 2019. Visited Oct. 28, 2021.  
<https://www.packworld.com/home/press-release/13702074/aptar-pharma-nasal-unidose-device> (Year: 2019).\*

(Continued)

*Primary Examiner* — Darcey E Gottschalk  
*Assistant Examiner* — Vanessa Michelle Pursley  
(74) *Attorney, Agent, or Firm* — Flynn Thiel, P.C.

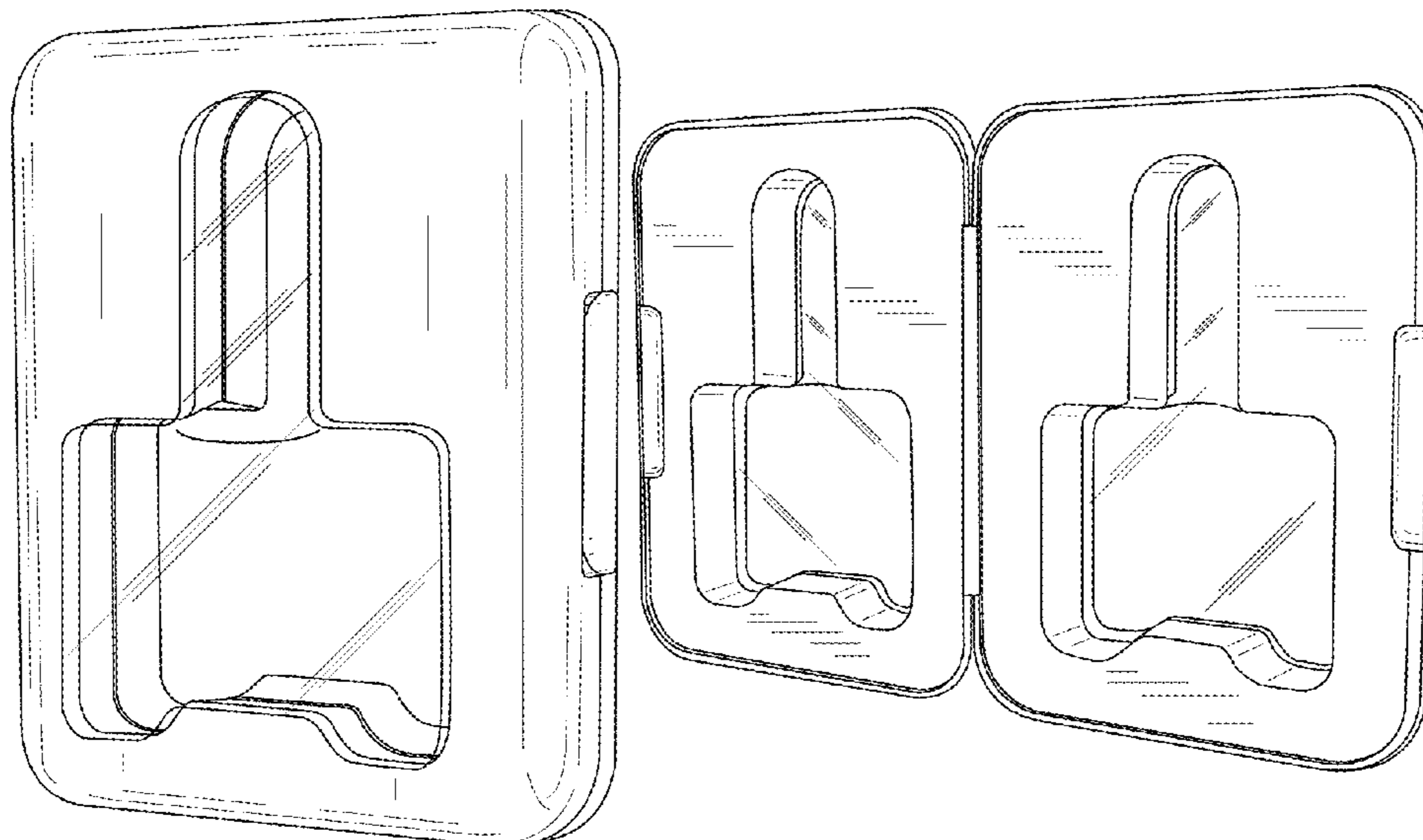
(57) **CLAIM**

The ornamental design for a dispenser packaging, as shown  
and described.

**DESCRIPTION**

FIG. 1 is a perspective view of a dispenser packaging  
showing my new design in a closed configuration;  
FIG. 2 is a front view thereof;  
FIG. 3 is a right side view thereof;  
FIG. 4 is a rear view thereof;  
FIG. 5 is a left side view thereof;  
FIG. 6 is a top view thereof;  
FIG. 7 is a bottom view thereof;  
FIG. 8 is a perspective view of the dispenser packaging  
showing my new design in an open configuration;  
FIG. 9 is a front view thereof;  
FIG. 10 is a right side view thereof;  
FIG. 11 is a rear view thereof;  
FIG. 12 is a left side view thereof;  
FIG. 13 is a top view thereof; and,  
FIG. 14 is a bottom view thereof.

**1 Claim, 14 Drawing Sheets**



(56)

**References Cited**

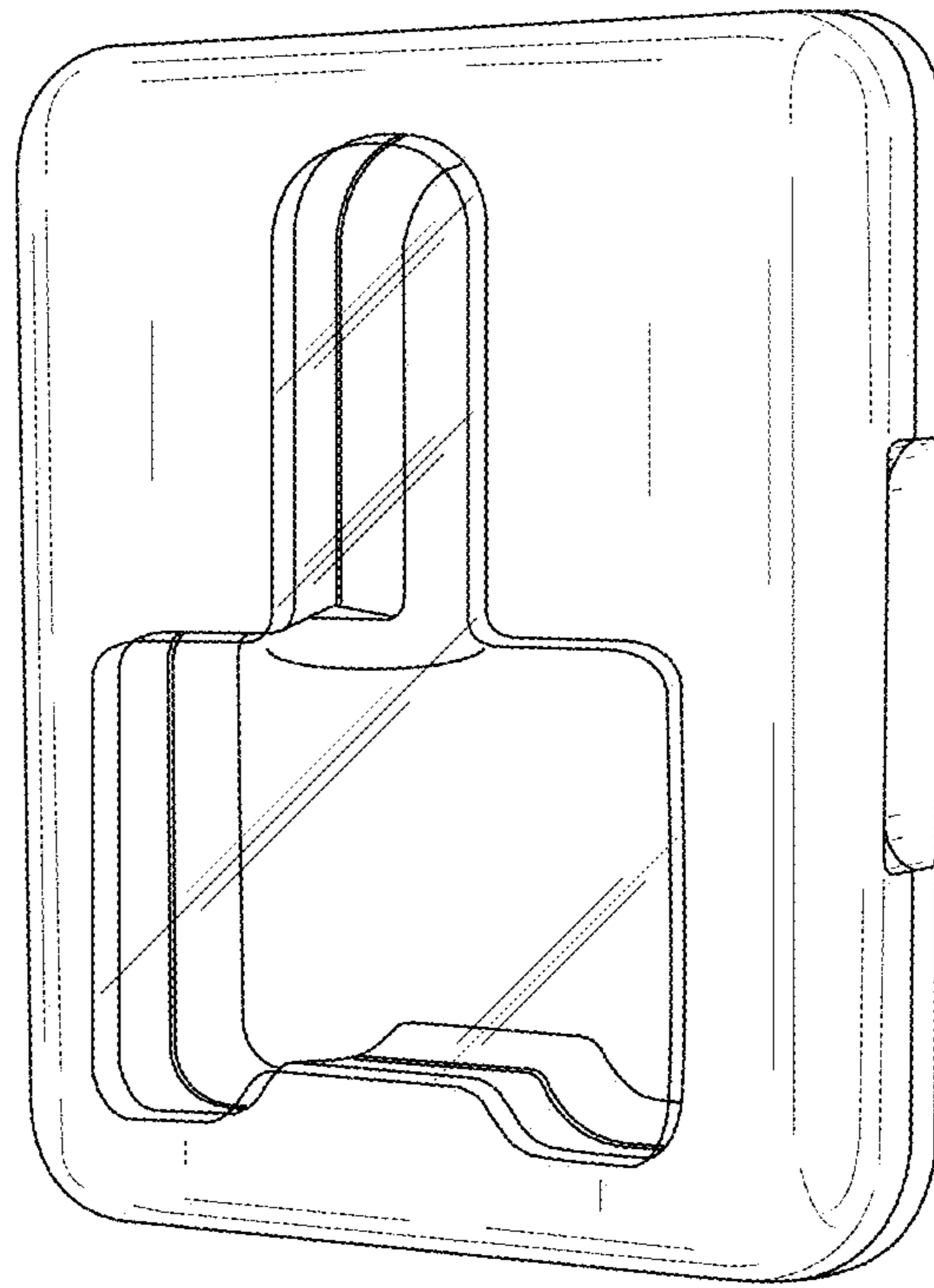
U.S. PATENT DOCUMENTS

6,364,166 B1 \* 4/2002 Ritsche ..... B05B 11/0027  
 222/153.13  
 D628,061 S \* 11/2010 Nakano ..... D9/426  
 D638,308 S \* 5/2011 Ashiwa ..... D9/723  
 D641,578 S \* 7/2011 Meyerhoffer ..... D6/518  
 D642,475 S \* 8/2011 Crutchley ..... D9/542  
 D671,829 S \* 12/2012 Sung ..... D9/418  
 D706,643 S \* 6/2014 Akana ..... D9/721  
 D713,259 S \* 9/2014 Naef ..... D9/600  
 D740,653 S \* 10/2015 Akana ..... D9/418  
 9,352,348 B2 \* 5/2016 Greiner-Perth ..... A61M 15/08  
 D765,520 S \* 9/2016 Gunder ..... D9/732  
 D811,120 S \* 2/2018 Johnson ..... D6/542  
 D847,624 S \* 5/2019 Farrell ..... D9/415  
 D854,408 S \* 7/2019 Farrell ..... D9/415  
 D868,591 S \* 12/2019 Lewis ..... D9/629  
 D869,269 S \* 12/2019 Giwani ..... D9/418  
 D889,994 S \* 7/2020 Daniels ..... D9/724  
 D933,493 S \* 10/2021 Huchet ..... D9/723  
 2016/0166780 A1 \* 6/2016 Allsop ..... B05B 11/3059  
 604/38

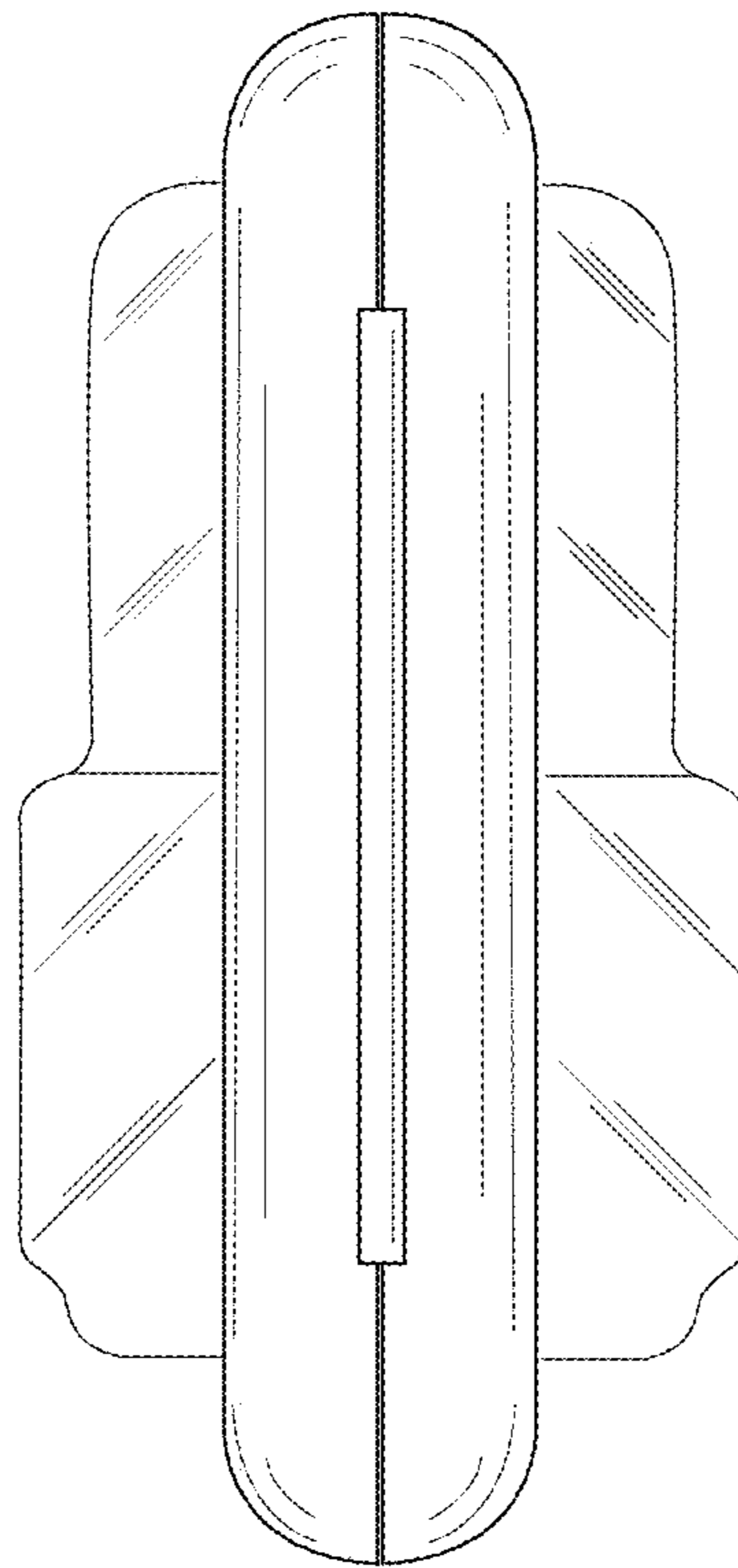
OTHER PUBLICATIONS

MPR. Extended Shelf Life Approved for Narcan Nasal Spray. Authored by Brian Park. Published Aug. 17, 2020. Visited Oct. 28, 2021. <https://www.empr.com/home/news/narcan-nasal-spray-extended-shelf-life-naloxone-hydrochloride/> (Year: 2020).\*

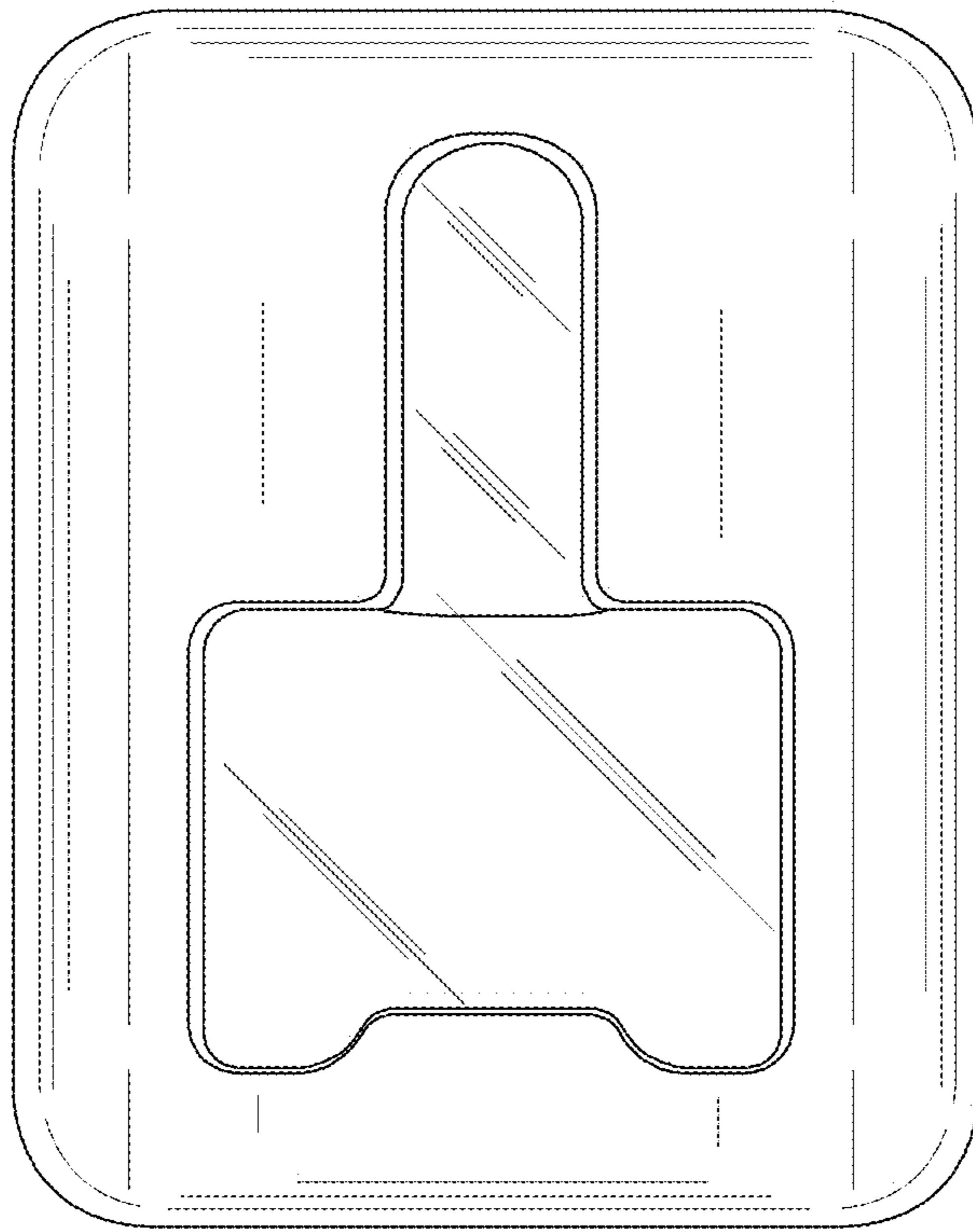
\* cited by examiner



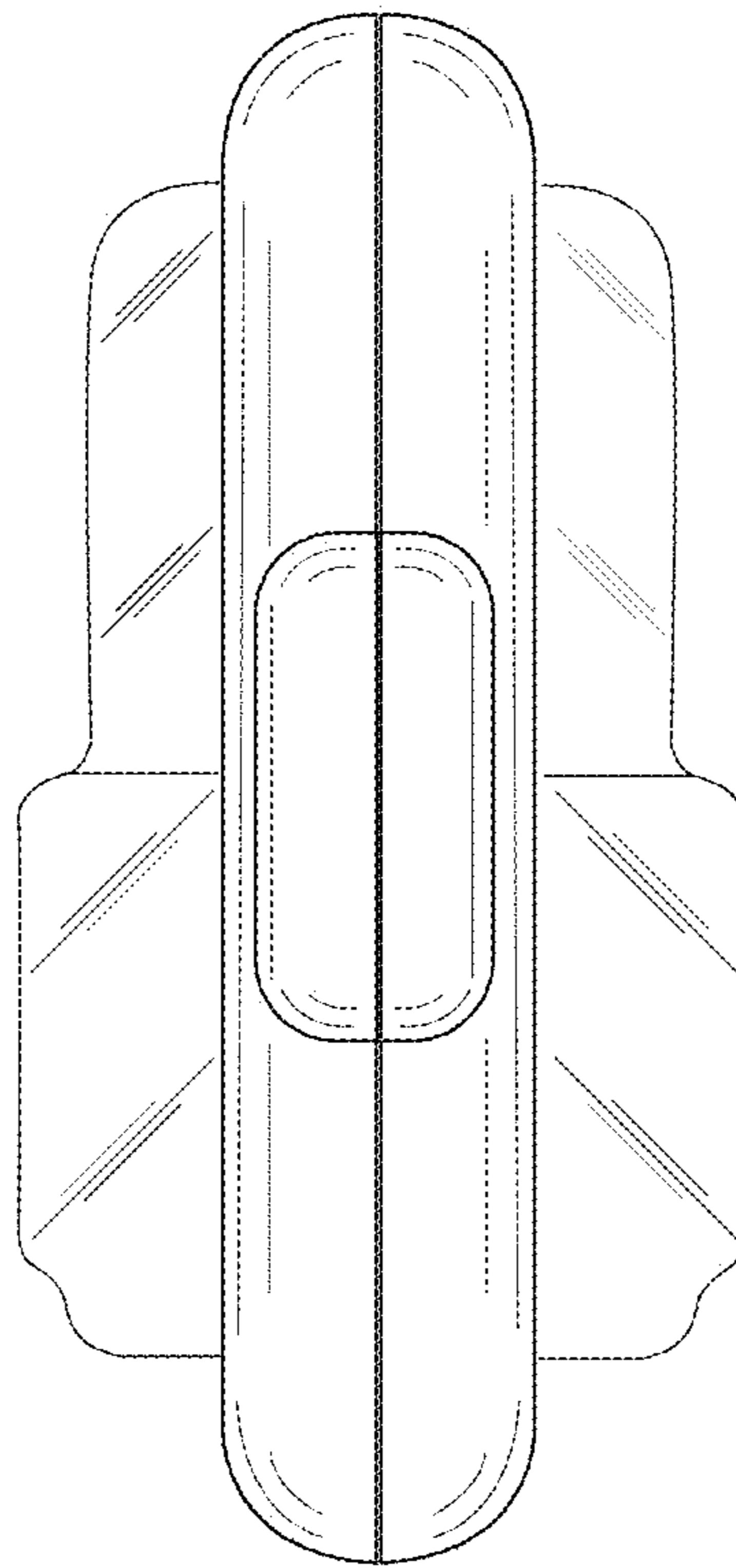
**FIG. 1**



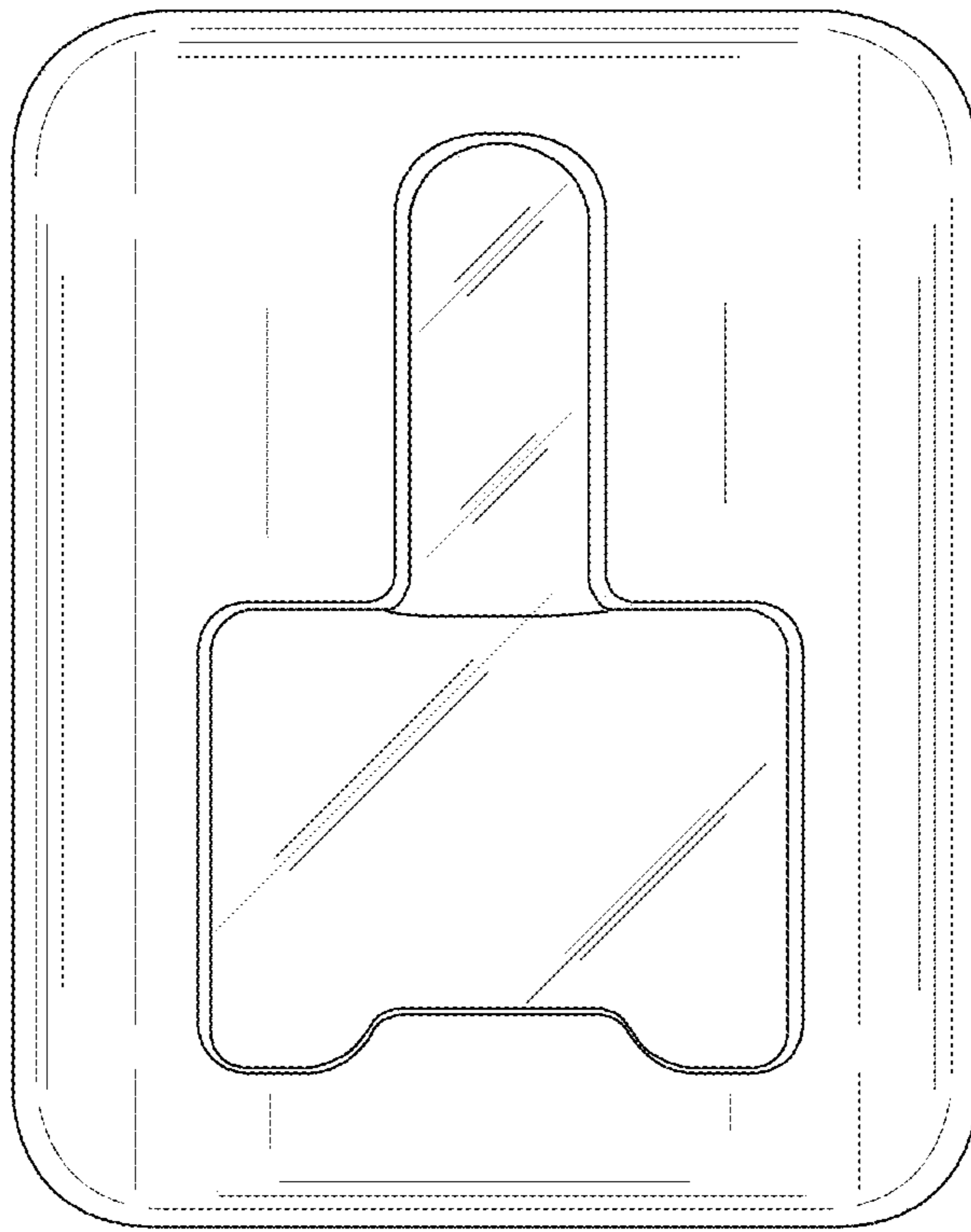
**FIG. 2**



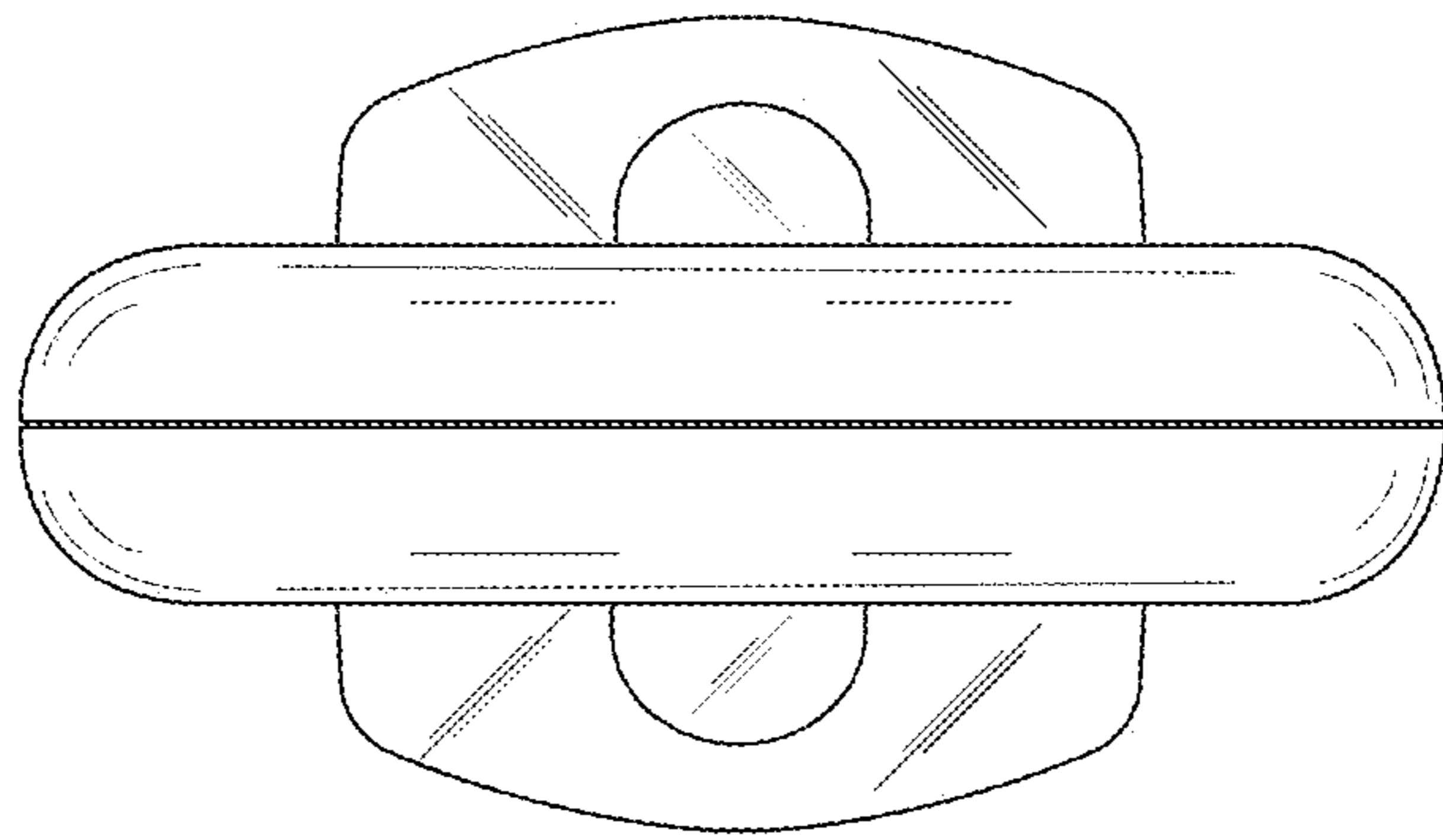
**FIG. 3**



**FIG. 4**

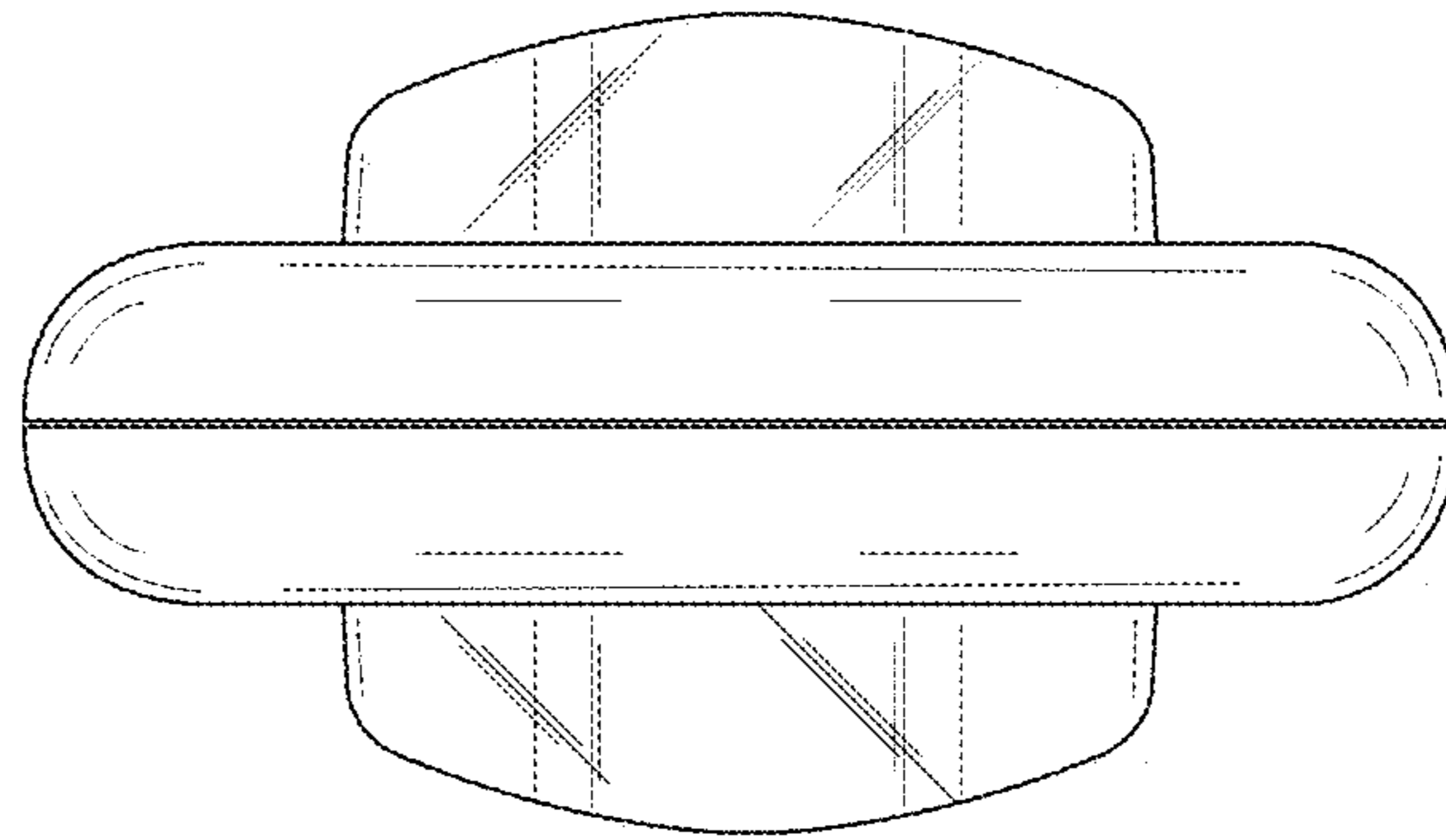


**FIG. 5**

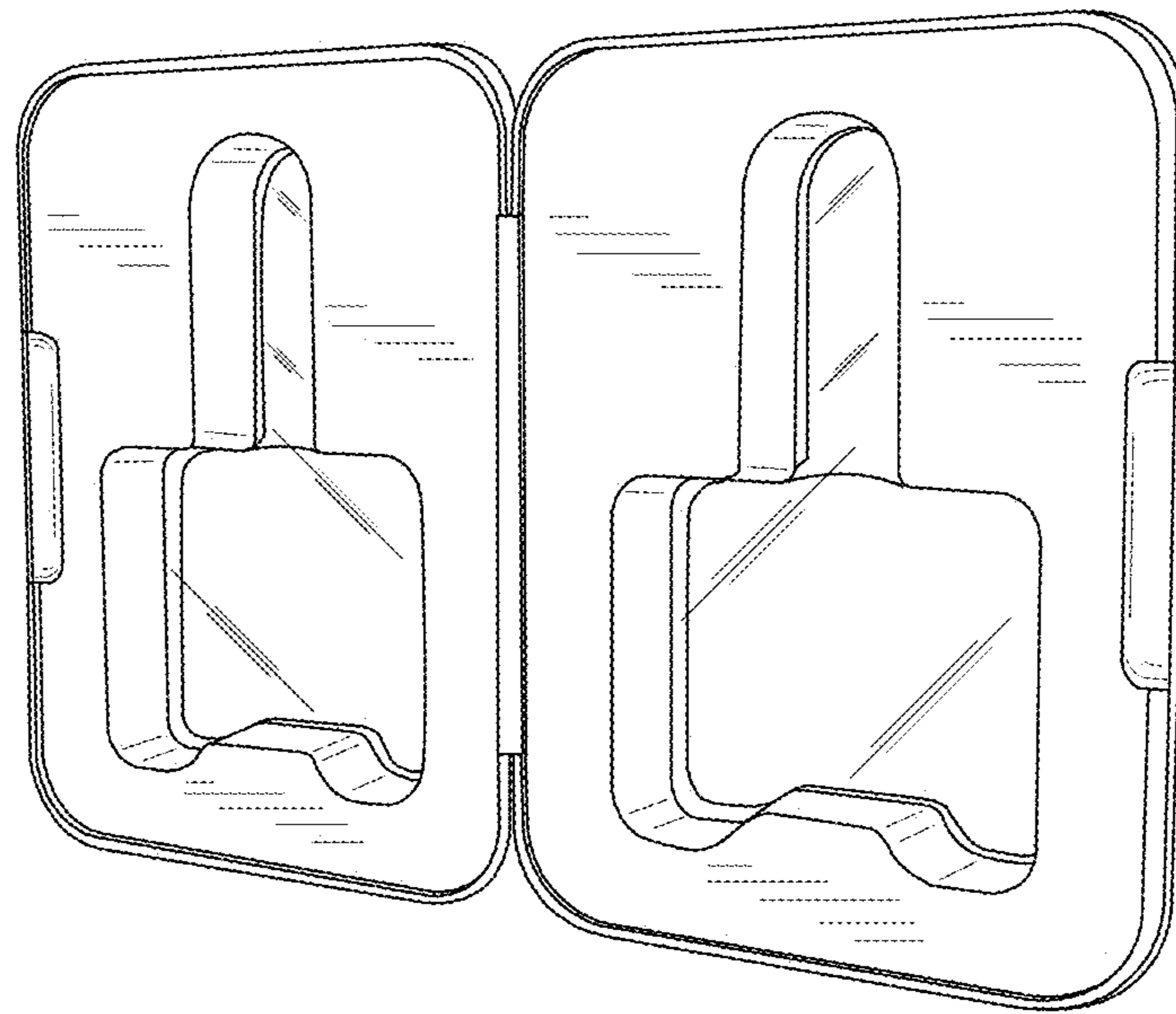


**FIG. 6**

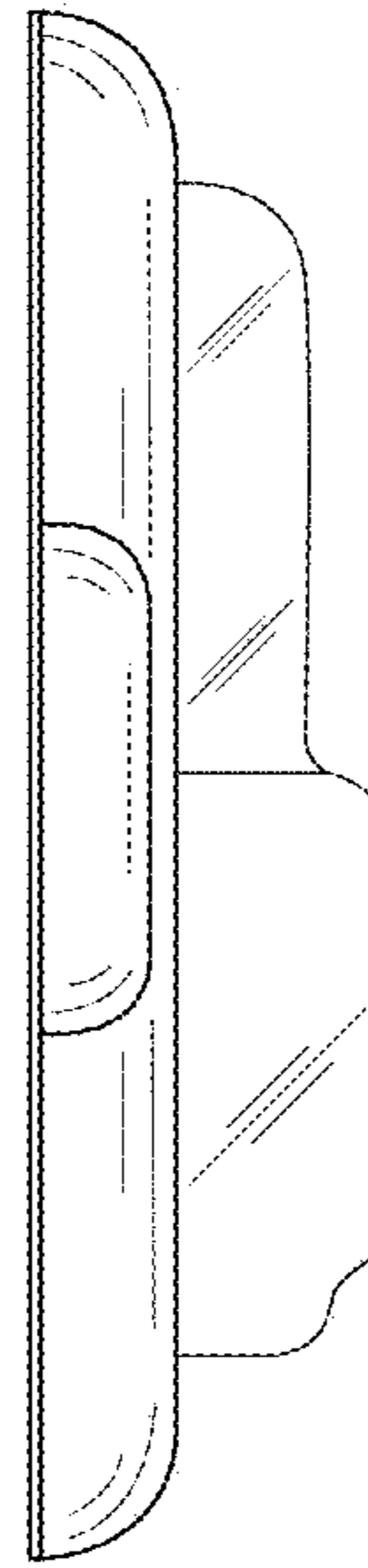




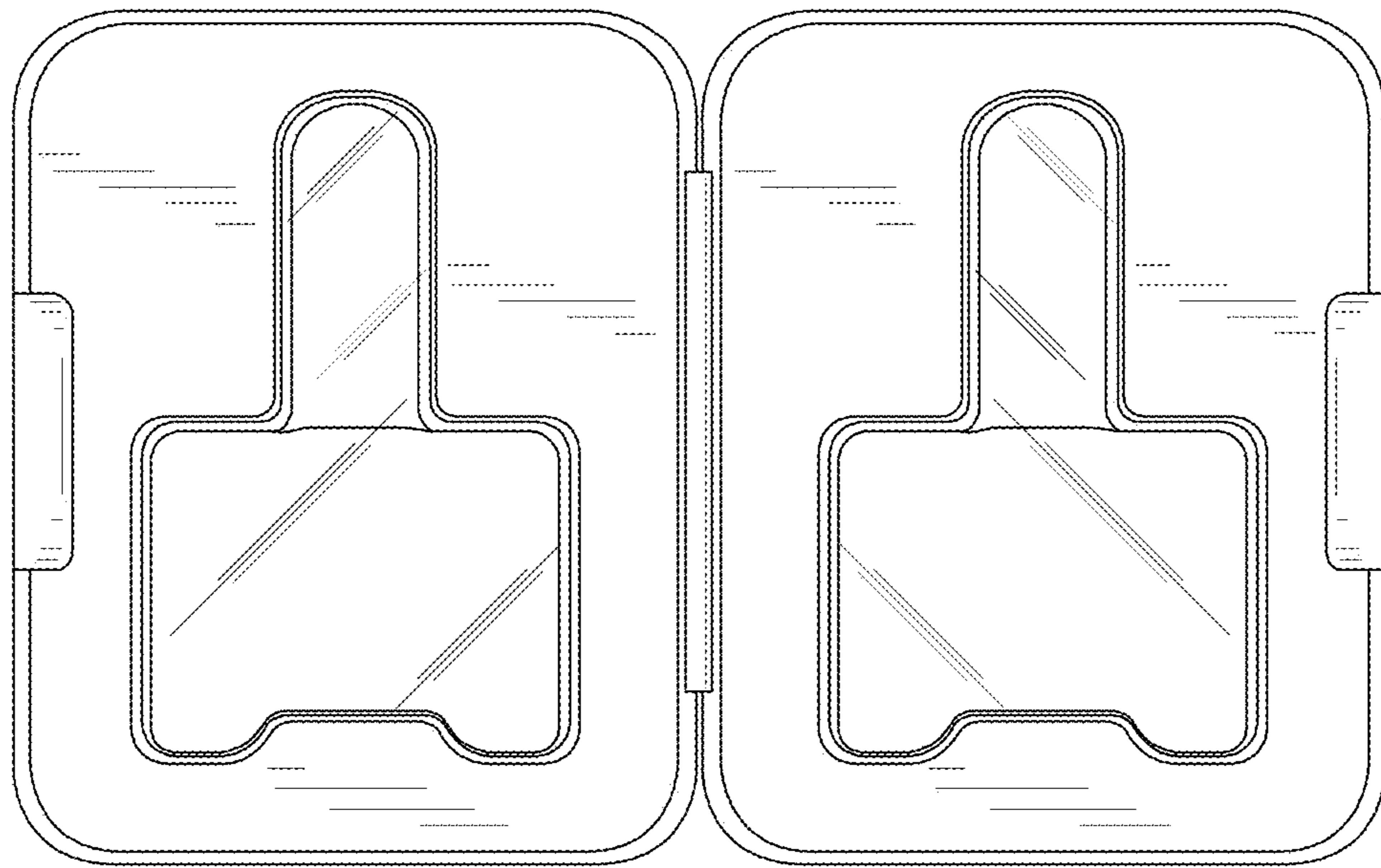
**FIG. 7**



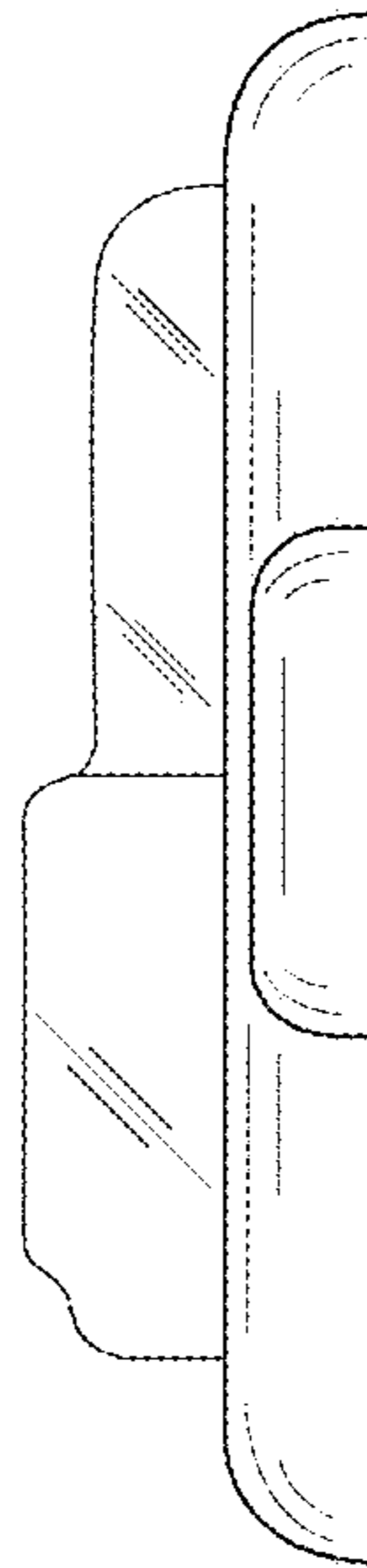
**FIG. 8**



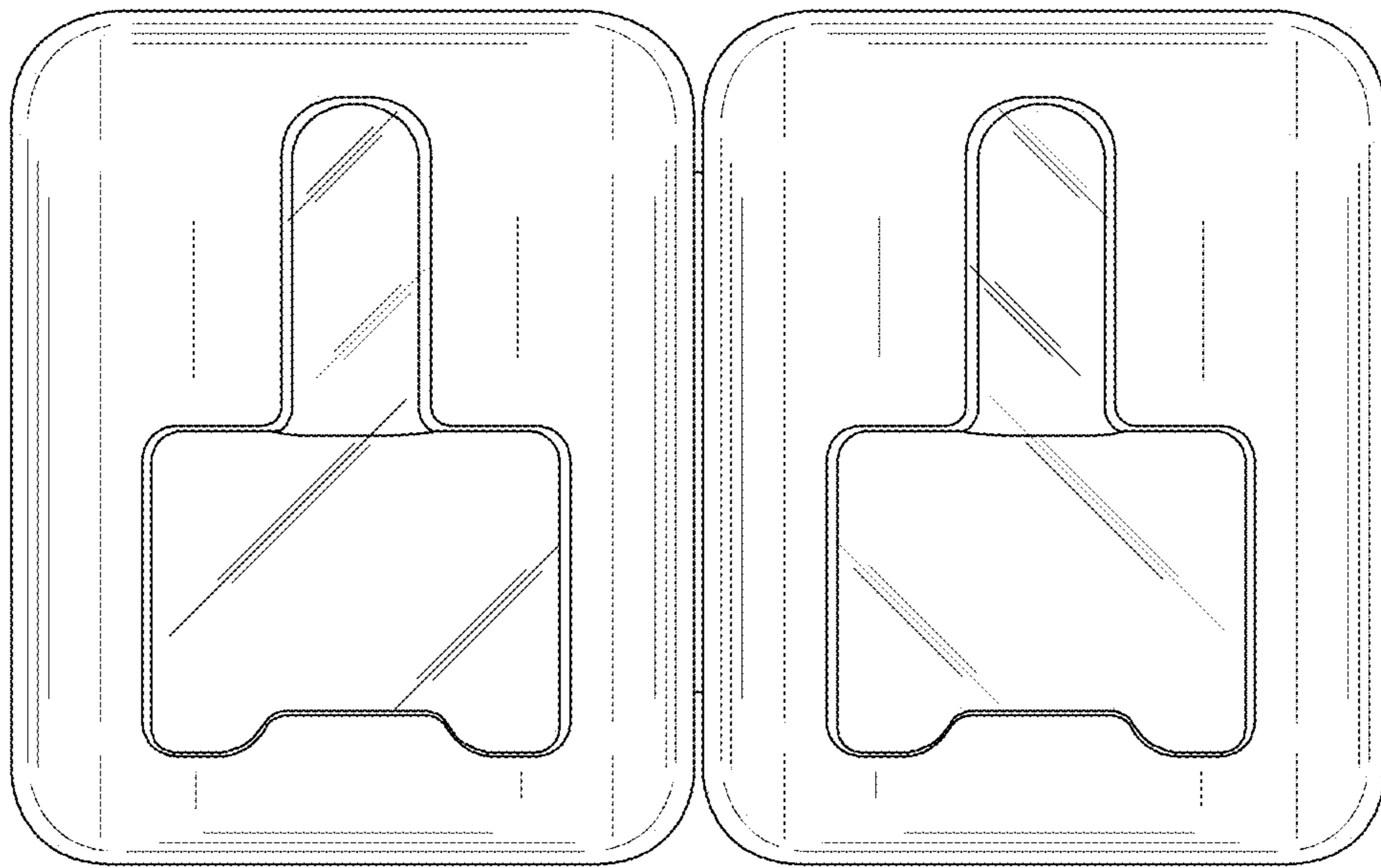
**FIG. 9**



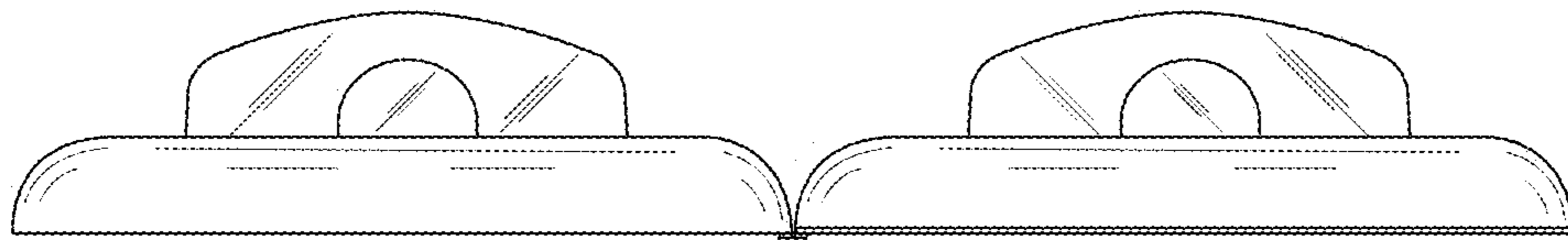
**FIG. 10**



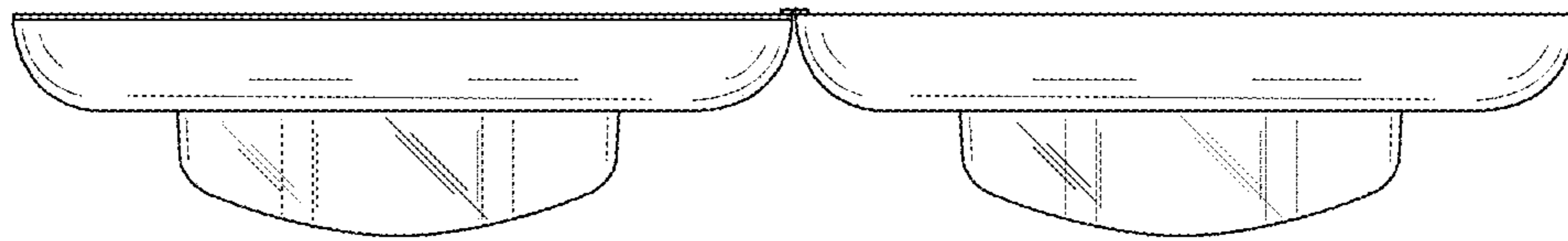
**FIG. 11**



**FIG. 12**



**FIG. 13**



**FIG. 14**