



US00D939949S

(12) **United States Design Patent**  
**Li**

(10) **Patent No.:** **US D939,949 S**  
(45) **Date of Patent:** **\*\* Jan. 4, 2022**

(54) **DOOR STOPPER**

(71) Applicant: **Ningbo Eudemon Child Protective Equipment Co., Ltd., Ningbo (CN)**

(72) Inventor: **Binhui Li, Ningbo (CN)**

(\*\*) Term: **15 Years**

(21) Appl. No.: **29/736,007**

(22) Filed: **May 27, 2020**

(30) **Foreign Application Priority Data**

Dec. 20, 2019 (CN) ..... 201930715411.2

(51) **LOC (13) Cl.** ..... **08-09**

(52) **U.S. Cl.**  
USPC ..... **D8/402**

(58) **Field of Classification Search**  
USPC ..... D8/336, 349, 354–355, 367, 373, 402,  
D8/380, 382–383, 394, 396  
CPC ..... E05C 17/443  
See application file for complete search history.

(56) **References Cited**

**U.S. PATENT DOCUMENTS**

D601,413 S *	10/2009	Wise	.....	D8/402
D701,754 S *	4/2014	Belyea	.....	D8/402
8,869,451 B2 *	10/2014	Belyea	.....	E06B 7/362 49/383
D842,562 S *	3/2019	McCallister	.....	D32/25
D879,599 S *	3/2020	Cantwell	.....	D8/402
D924,675 S *	7/2021	Potter	.....	D8/402
2013/0118087 A1 *	5/2013	Belyea	.....	E06B 7/362 49/383

**OTHER PUBLICATIONS**

Amazon.com; Eudemon ; “EUDEMON Child Proof Door Lock & Finger Pinch Guard Safety Door Restrictor Door Stopper for Cats & Dogs Easy to Install and REmove, Simple & Convenient to use”; [online] ‘https://www.amazon.com/EUDEMON-Restrictor-Stopper-Install-Convenient/dp/B08DK3DD1V’; accessed Oct. 4, 2021; 5pg (Year: 2021).\*

Youtube.com; Eudemon Baby; Eudemon Baby SAfety Door Restrictor/ Finger Pinch Guard Installation and Use; [online] ‘https://www.youtube.com/watch?v=gNNAw4BFOaE’; dated Jul. 21, 2020; accessed Oct. 4, 2021; 4pgs. (Year: 2020).\*

\* cited by examiner

*Primary Examiner* — Keli L Hill

*Assistant Examiner* — Harold E Blackwell, II

(57) **CLAIM**

The ornamental design for a door stopper, as shown and described.

**DESCRIPTION**

FIG. 1 is a front elevational view of a door stopper showing my new design;

FIG. 2 is a rear elevational view thereof;

FIG. 3 is a left sideview thereof;

FIG. 4 is a right sideview thereof;

FIG. 5 is a top planview thereof;

FIG. 6 is a bottom plan view thereof;

FIG. 7 is a perspective view from front side thereof;

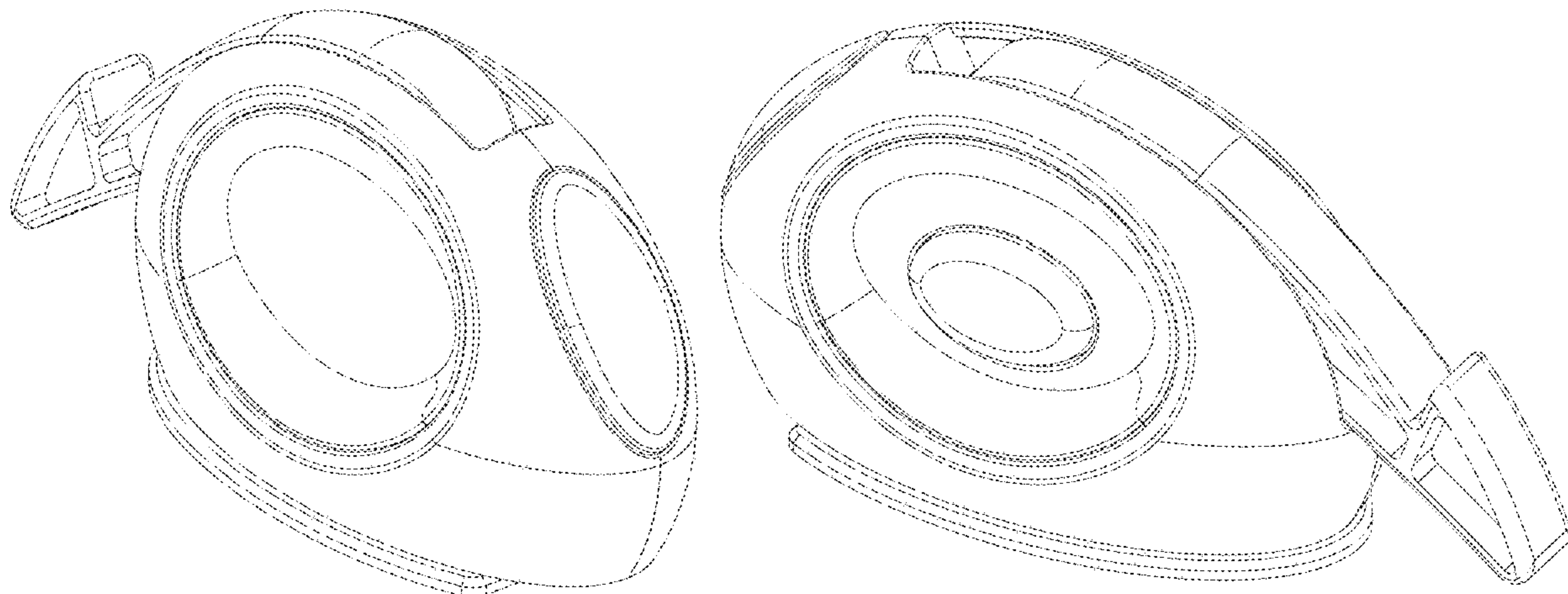
FIG. 8 is a perspective view from front side thereof;

FIG. 9 is a perspective view from rear side thereof;

FIG. 10 is a perspective view from front side thereof; and,

FIG. 11 is a perspective view from rear side thereof.

**1 Claim, 11 Drawing Sheets**



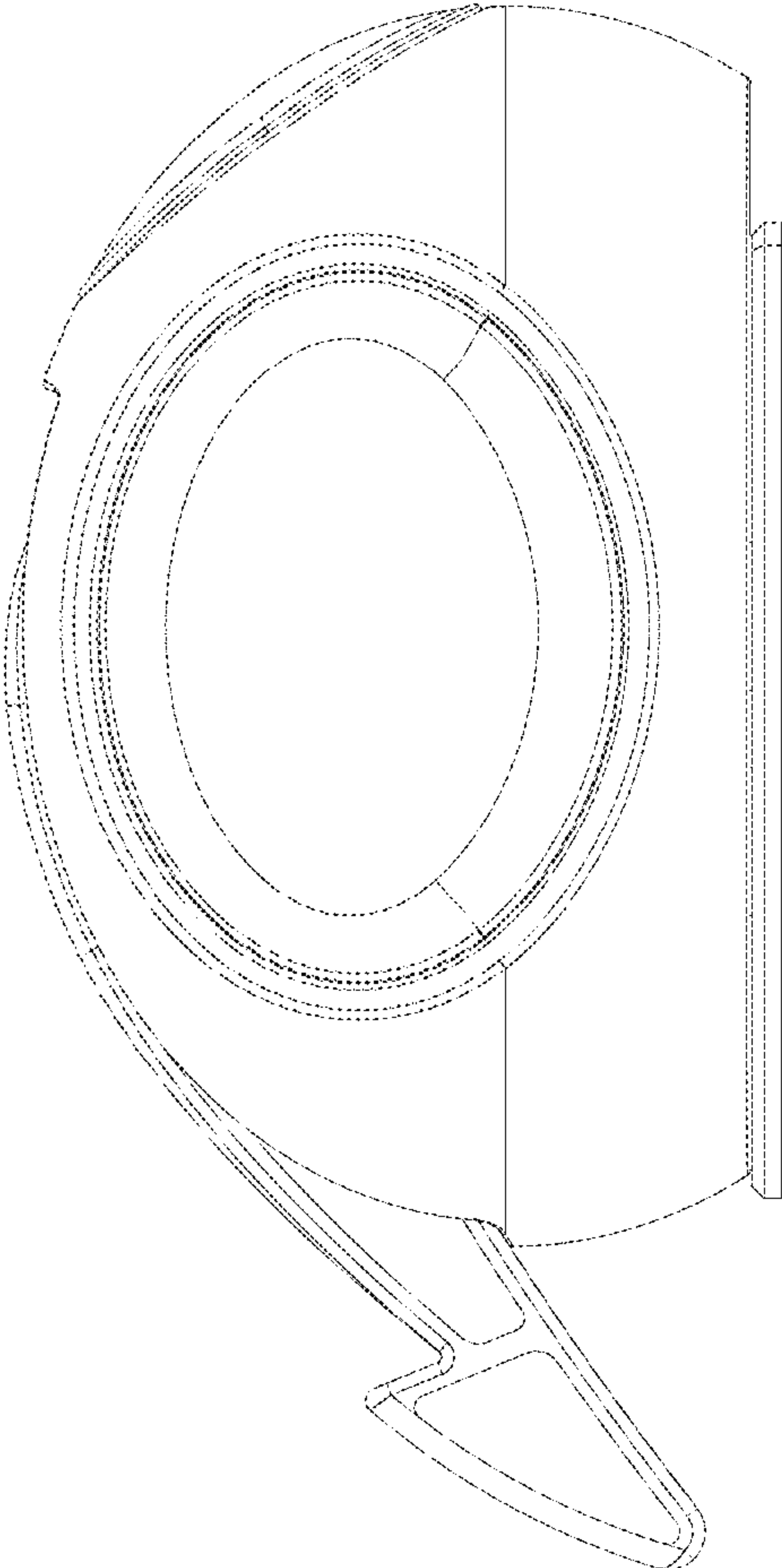


Fig. 1

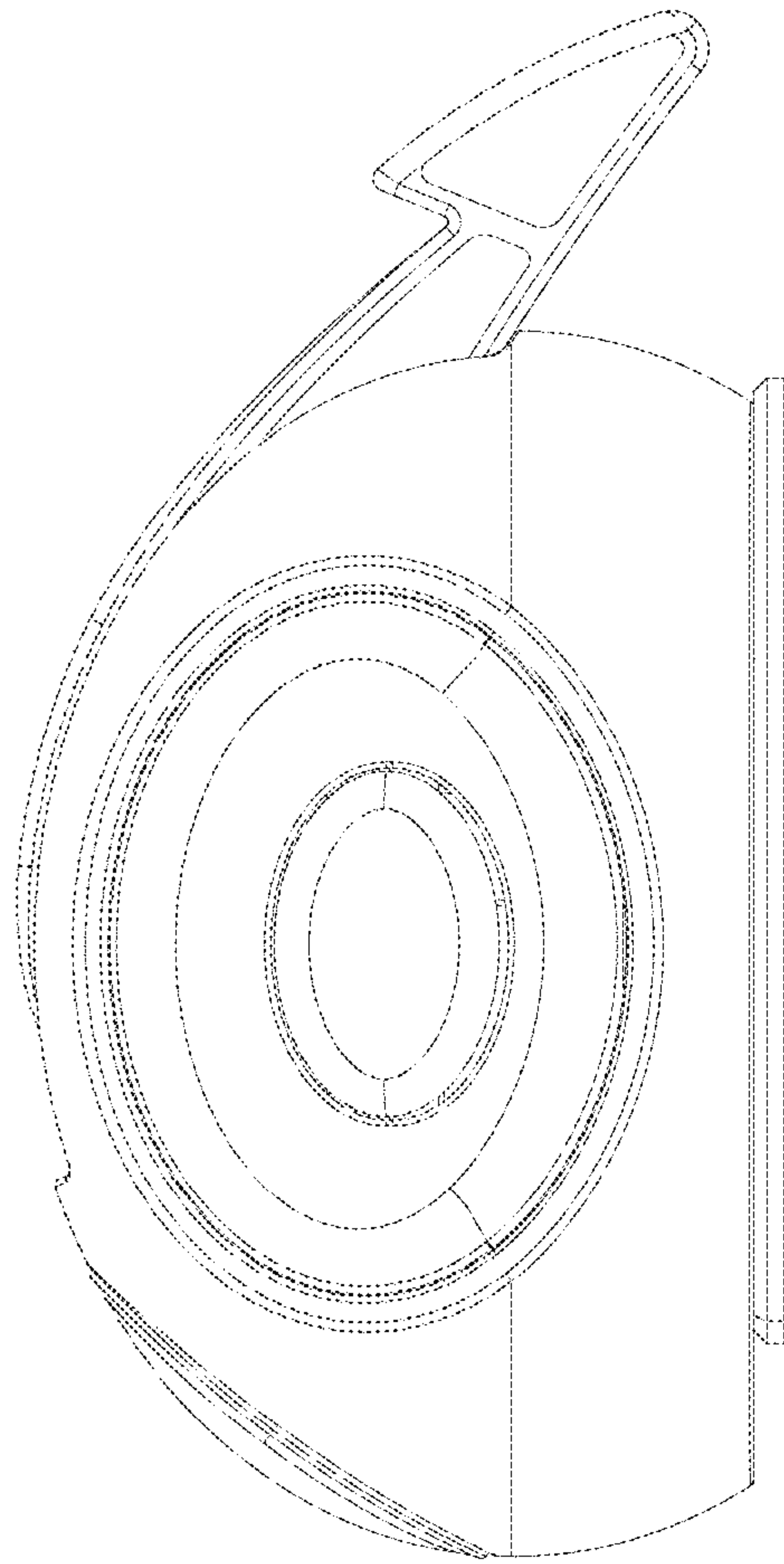


Fig. 2

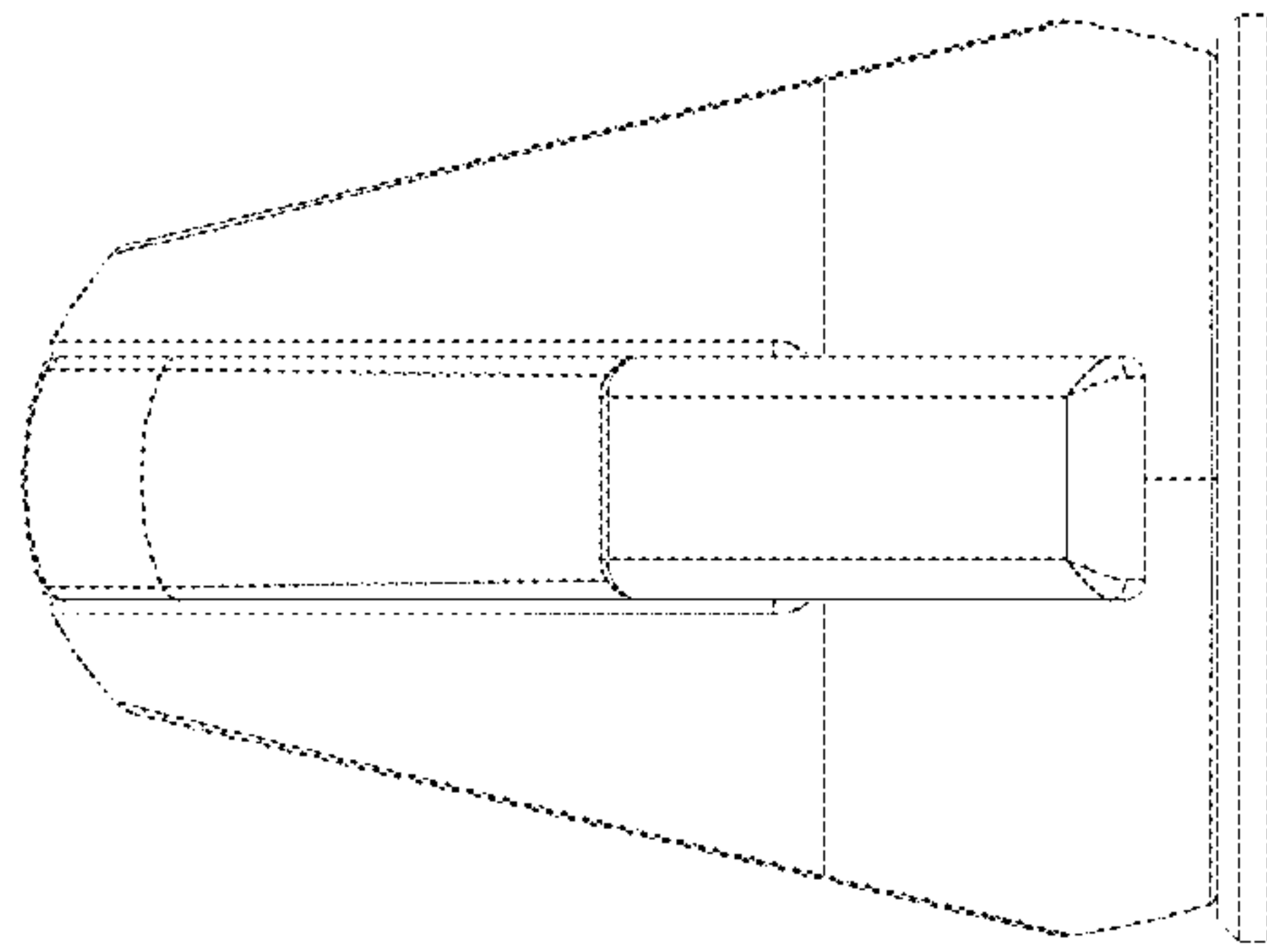


Fig. 3

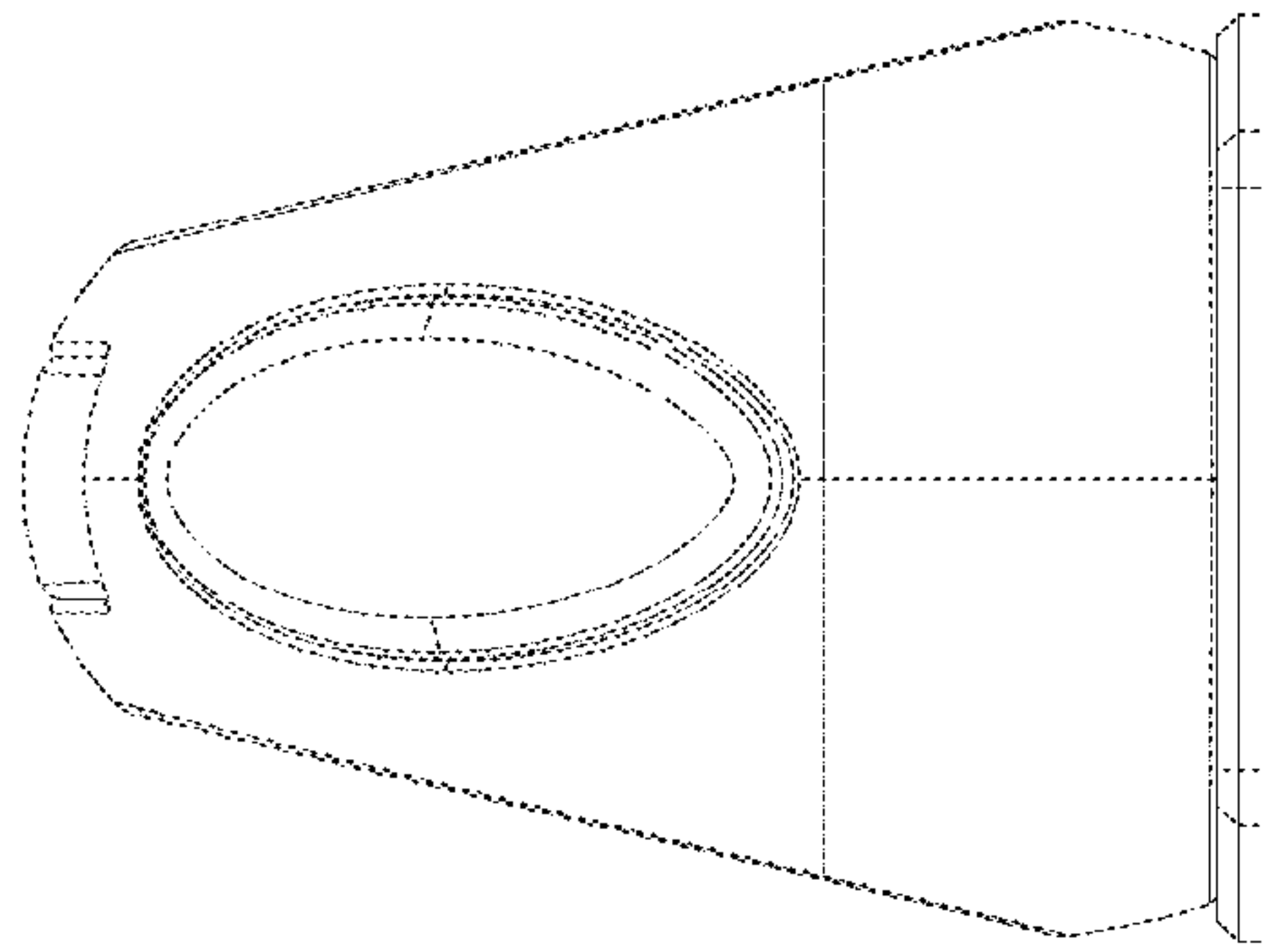


Fig. 4

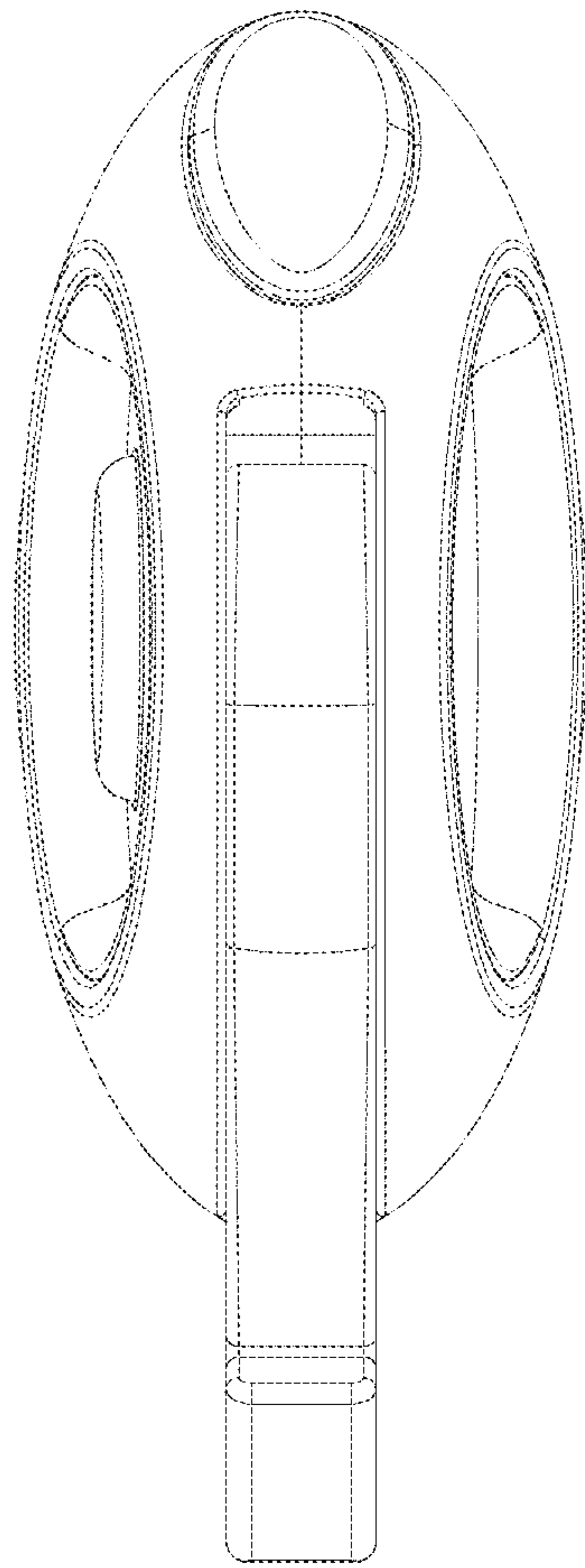


Fig. 5

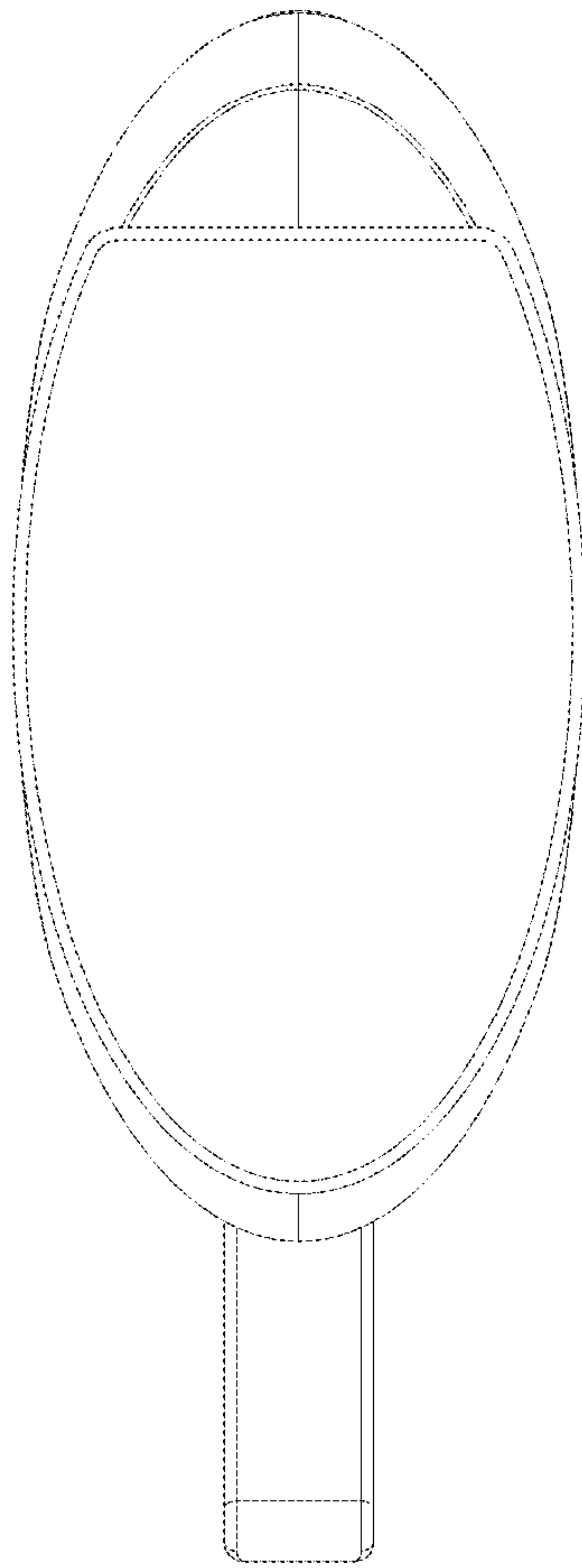


Fig. 6



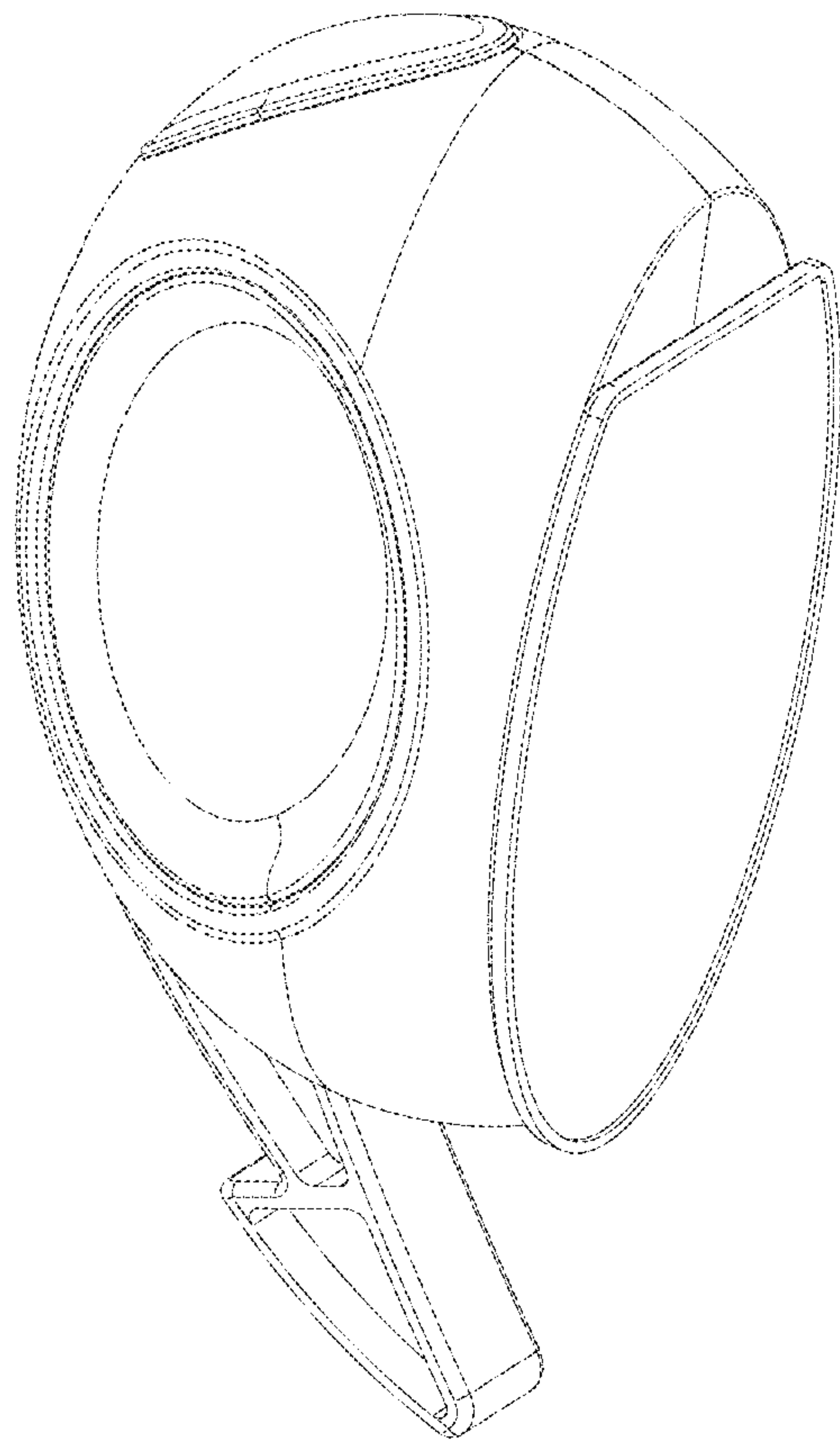


Fig. 7



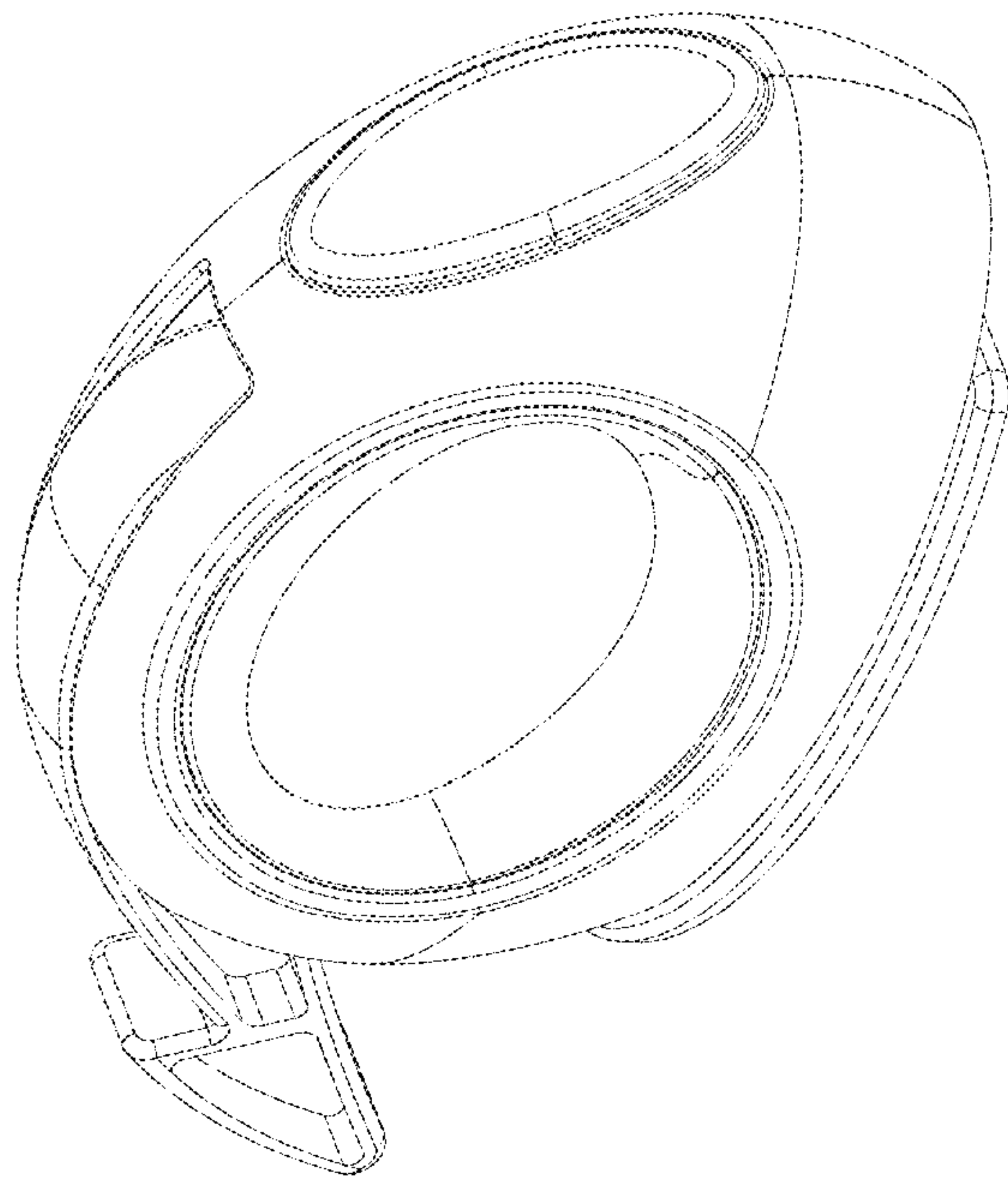


Fig. 8

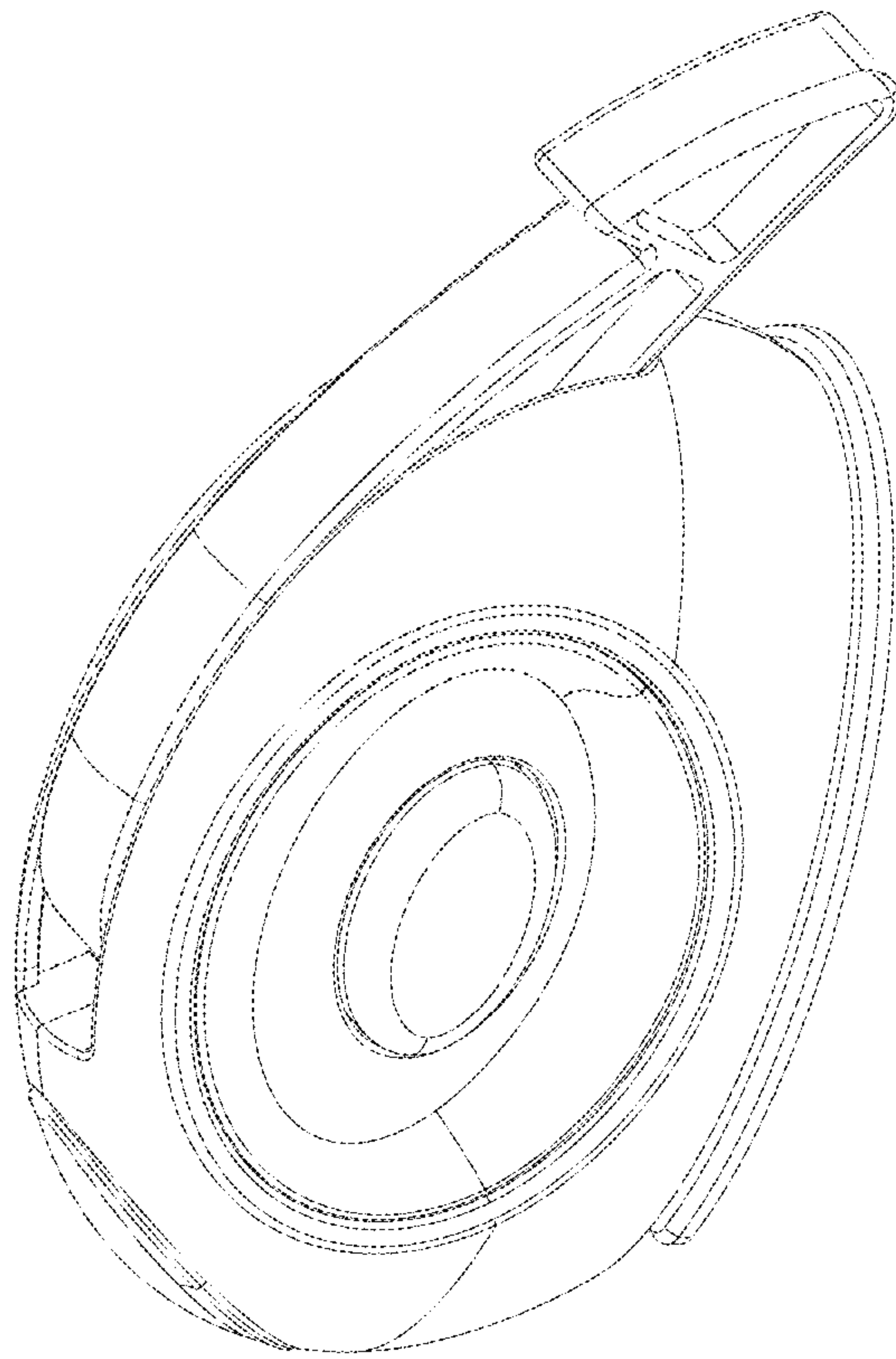


Fig. 9

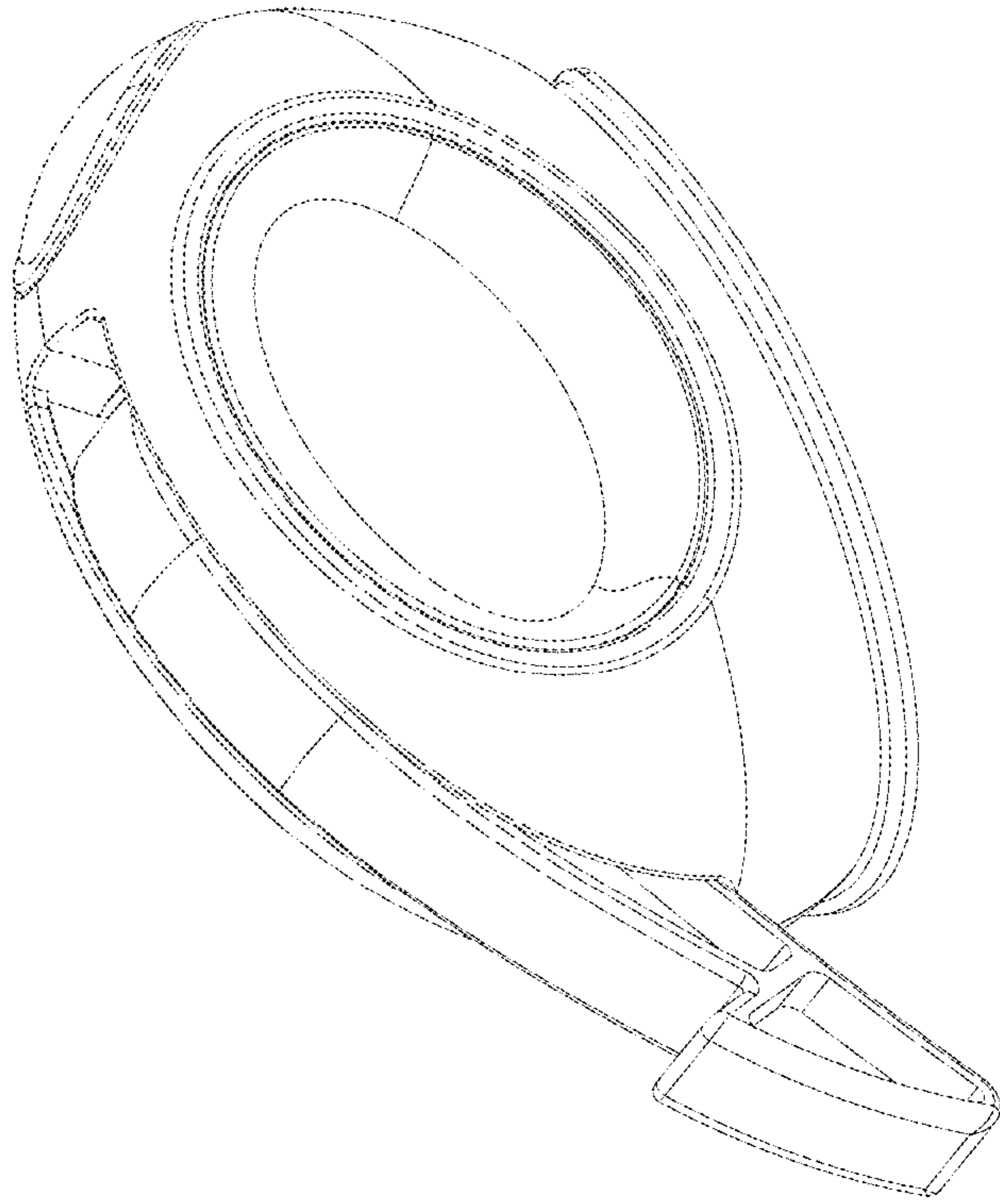


Fig. 10

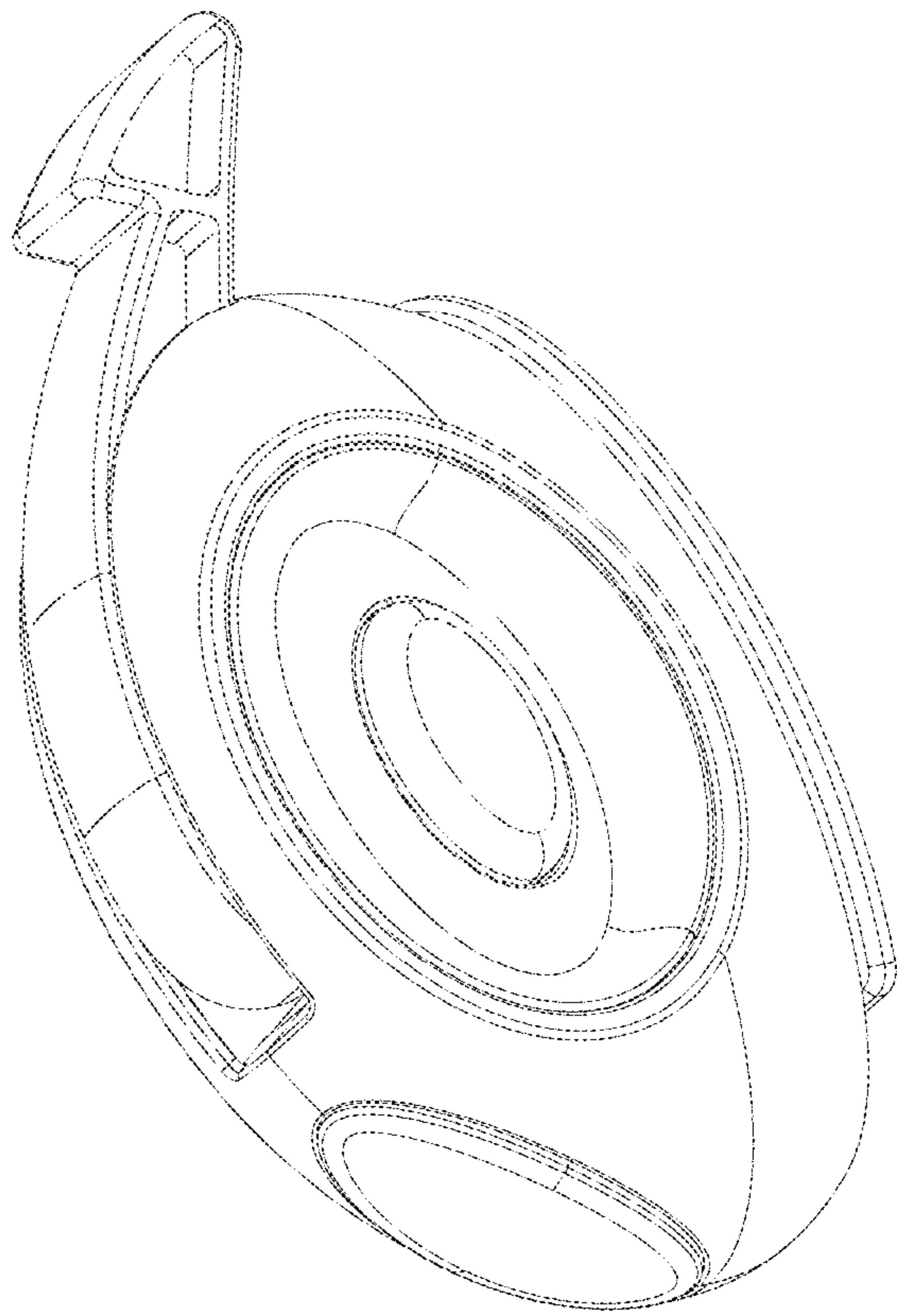


Fig. 11