



US00D939947S

(12) **United States Design Patent**  
**Gunnarsson**

(10) **Patent No.:** **US D939,947 S**  
(45) **Date of Patent:** **\*\* Jan. 4, 2022**

(54) **CLAMP HANDLE**

(71) Applicant: **Amicus Trade AB**, Båstad (SE)

(72) Inventor: **Hans Staffan Gunnarsson**, Båstad (SE)

(\*\*) Term: **15 Years**

(21) Appl. No.: **35/510,235**

(22) Filed: **Feb. 28, 2020**

(80) **Hague Agreement Data**

Int. Filing Date: **Feb. 28, 2020**

Int. Reg. No.: **DM/209961**

Int. Reg. Date: **Feb. 28, 2020**

Int. Reg. Pub. Date: **Sep. 4, 2020**

(51) **LOC (13) Cl.** ..... **08-08**

(52) **U.S. Cl.**  
USPC ..... **D8/394**

(58) **Field of Classification Search**  
USPC ..... D8/70, 72, 82, 85, 86, 354, 356, 382,  
D8/383, 384, 394, 400, 402, 403, 499  
CPC ..... A47G 1/20; A62B 1/22; B28B 23/005;  
B66C 1/666; E04C 5/16; E04C 2/3405;  
E21B 12/00  
See application file for complete search history.

(56) **References Cited**

**U.S. PATENT DOCUMENTS**

- D266,985 S \* 11/1982 Prete, Jr. .... D8/383
- D268,247 S \* 3/1983 Prete, Jr. .... D8/356
- D299,004 S \* 12/1988 Fujimoto ..... D8/354
- D328,045 S \* 7/1992 Matoba ..... 24/169
- D362,293 S \* 9/1995 Formaggioni ..... D22/149
- D377,155 S \* 1/1997 Takimoto ..... D11/216
- D382,470 S \* 8/1997 Lu ..... D8/394
- D414,102 S \* 9/1999 Lu ..... D8/394
- 6,263,702 B1 \* 7/2001 Lo ..... A41F 11/06  
24/516
- 6,789,295 B1 \* 9/2004 Svensson ..... E04H 15/64  
24/115 M
- D541,643 S \* 5/2007 Eriksson ..... D8/382

- D574,225 S \* 8/2008 Scheib ..... D8/382
- D593,848 S \* 6/2009 Balemi ..... D15/28
- D630,493 S \* 1/2011 Chan ..... D8/356
- D637,478 S \* 5/2011 Kalbach ..... D8/383
- D686,059 S \* 7/2013 Paik ..... D8/356
- 8,752,590 B2 \* 6/2014 Petty ..... A63B 29/02  
138/110
- D752,965 S \* 4/2016 Blaney ..... D8/394
- D773,339 S \* 12/2016 McClure ..... D11/200
- D784,796 S \* 4/2017 Kim ..... D8/356
- D789,178 S \* 6/2017 Carnevali ..... D8/354
- D804,937 S \* 12/2017 Paik ..... D8/356
- D805,377 S \* 12/2017 Breeden, III ..... D8/383
- D808,251 S \* 1/2018 Hetrick ..... A45C 13/001  
D8/356
- D869,263 S \* 12/2019 Cowell ..... A41F 11/06  
D8/356
- 10,543,772 B1 \* 1/2020 Muri ..... B60P 7/0807

(Continued)

**FOREIGN PATENT DOCUMENTS**

JP D1693152 \* 8/2021

*Primary Examiner* — Karen S Acker

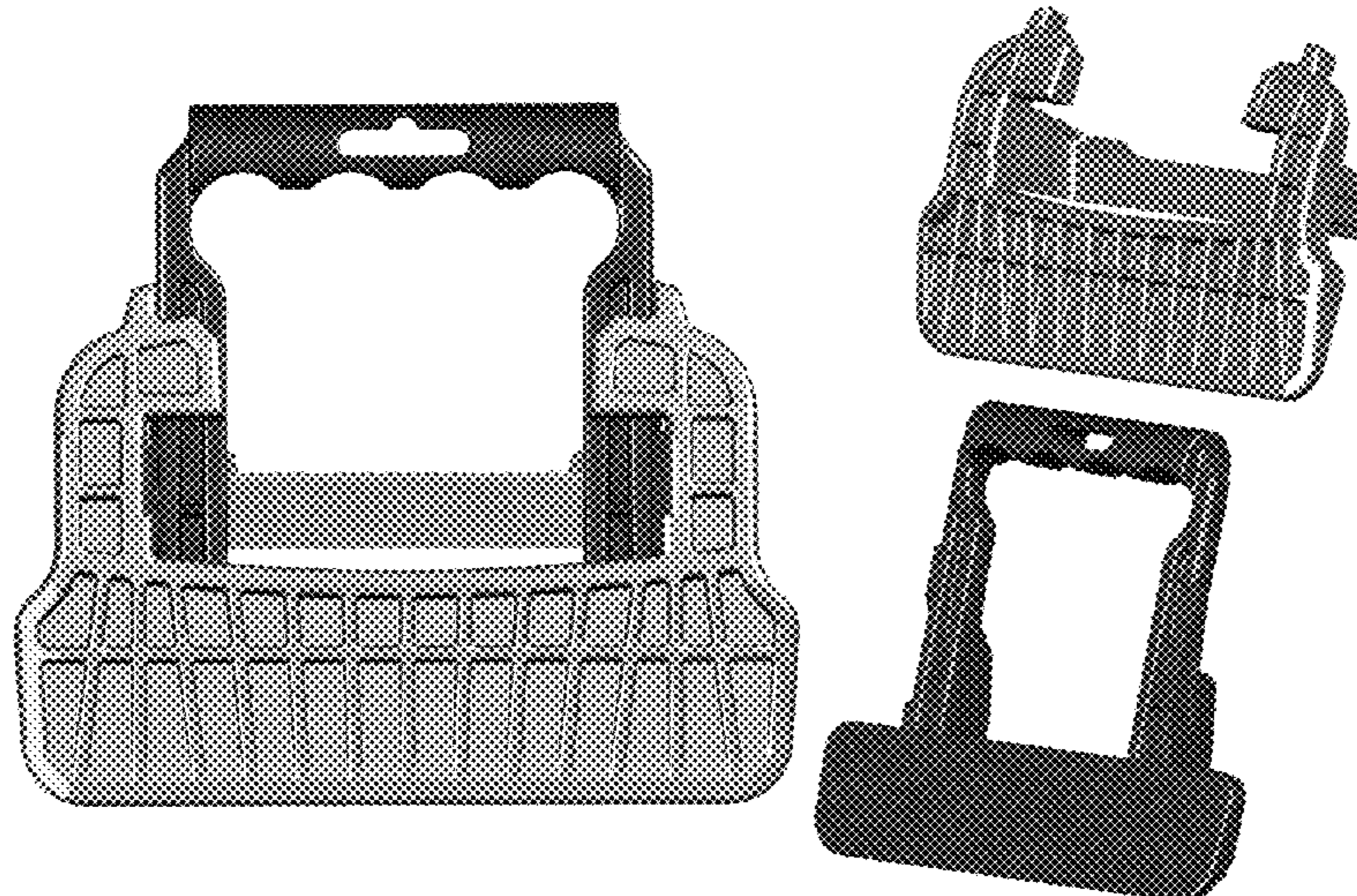
(57) **CLAIM**

The ornamental design for a clamp handle, as shown and described.

**DESCRIPTION**

- 1. Clamp handle
  - 1.1 : Top
  - 1.2 : Bottom
  - 1.3 : Front
  - 1.4 : Back
  - 1.5 : Left
  - 1.6 : Right
  - 1.7 : Exploded top perspective
  - 1.8 : Exploded bottom perspective
- The clamp handle is intended to be used as a gripping tool and general fastener of flat objects.

**1 Claim, 8 Drawing Sheets**



(56)

**References Cited**

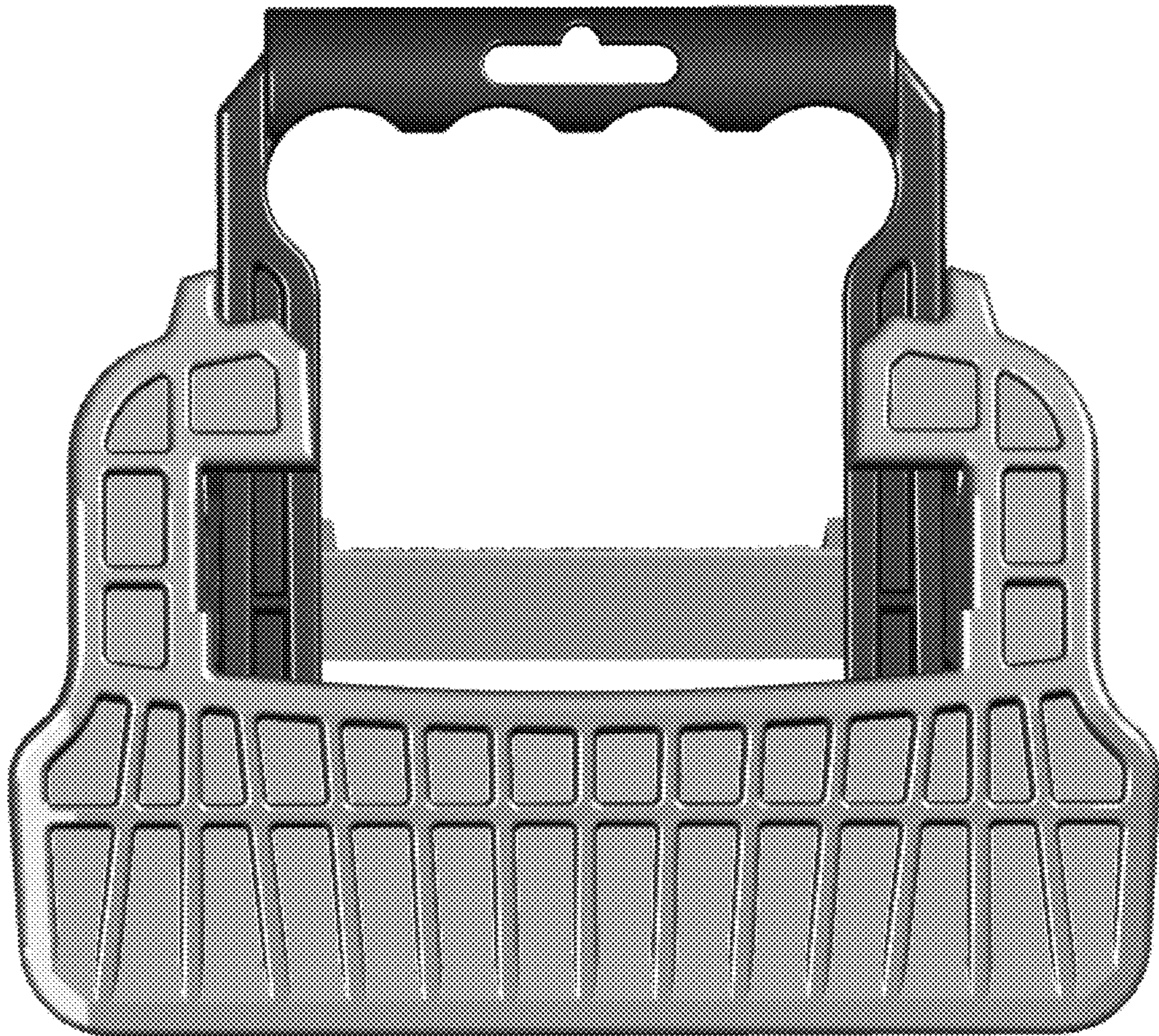
U.S. PATENT DOCUMENTS

2004/0163494 A1\* 8/2004 Alexander ..... B67B 7/406  
81/3.55  
2006/0177282 A1\* 8/2006 Blosser ..... B60P 7/0823  
410/106  
2010/0186183 A1\* 7/2010 Weinberger ..... A46B 15/0081  
15/236.02  
2017/0224068 A1\* 8/2017 Williams ..... A44C 15/009  
2020/0329850 A1\* 10/2020 Haack ..... A45C 13/001

\* cited by examiner

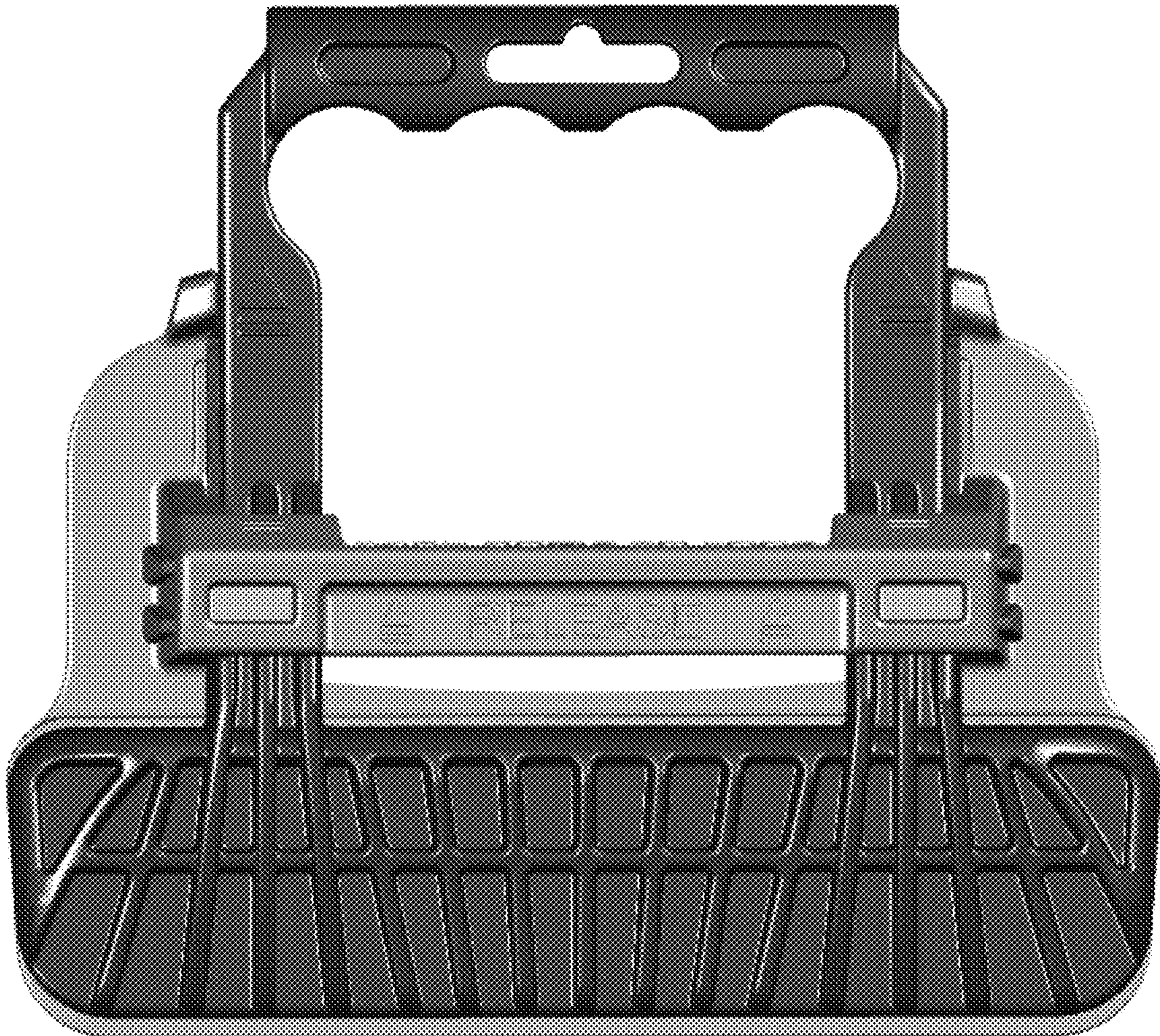


1.1



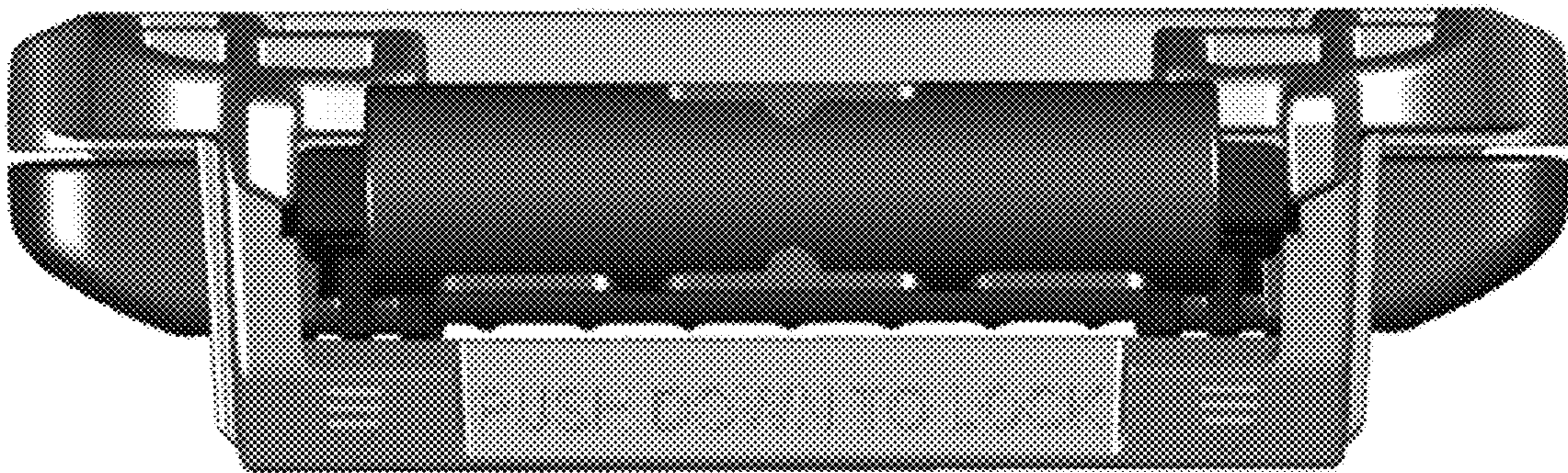


1.2

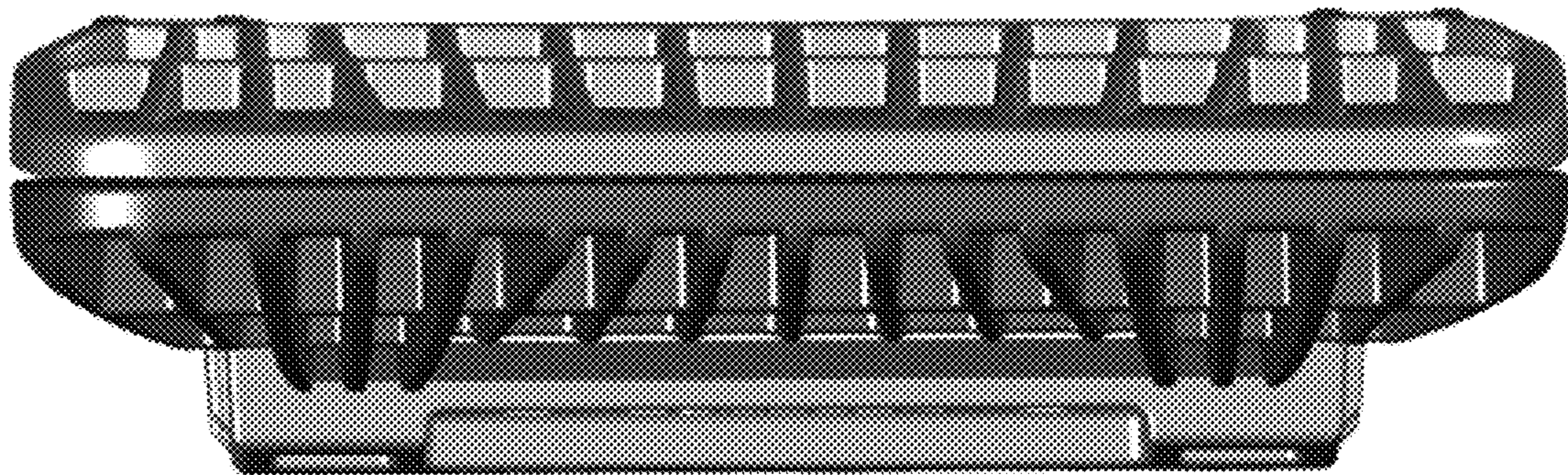




1.3

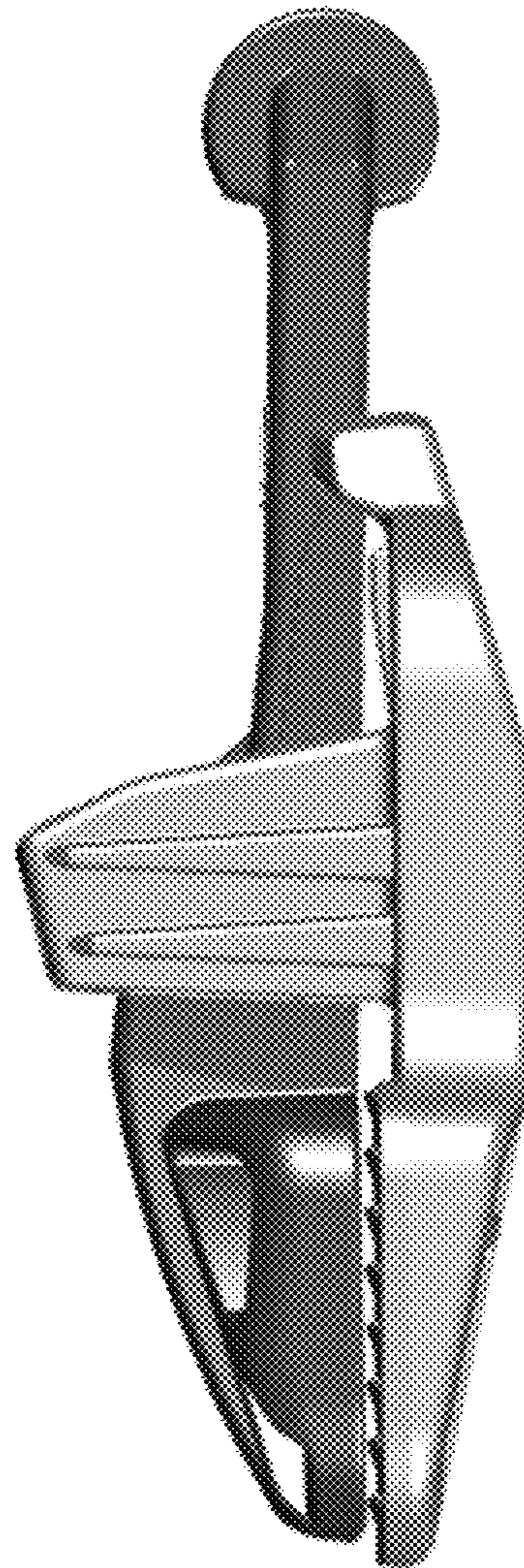


1.4

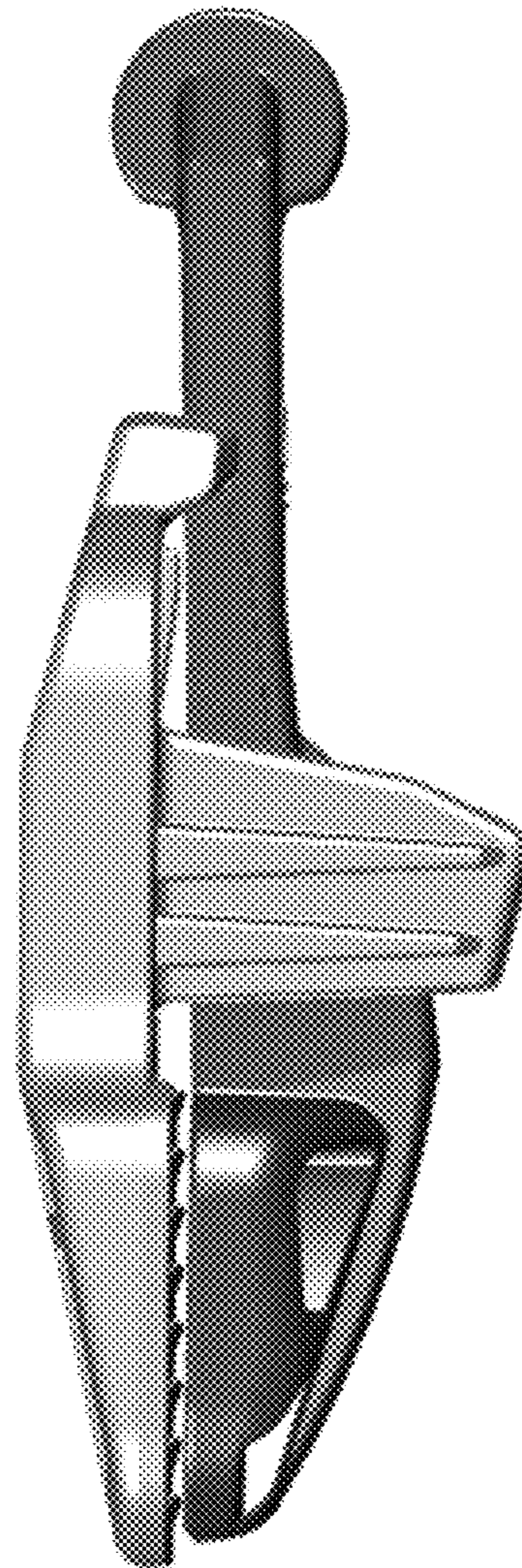




1.5



1.6





1.7





1.8

