

US00D939946S

(12) **United States Design Patent** (10) **Patent No.:** **US D939,946 S**
Aucker (45) **Date of Patent:** **** Jan. 4, 2022**

(54) **CLIP TO HOLD A WOODEN WICK**
(71) Applicant: **Luke Aucker**, Verona, PA (US)
(72) Inventor: **Luke Aucker**, Verona, PA (US)
(**) Term: **15 Years**

(21) Appl. No.: **29/652,234**

(22) Filed: **Jun. 20, 2020**

(51) **LOC (13) Cl.** **08-08**

(52) **U.S. Cl.**
USPC **D8/394; D26/23**

(58) **Field of Classification Search**
USPC D8/70-72, 371, 373-374, 380-381, 383,
D8/394-398; D26/23, 116, 6
CPC ... C11C 5/006; F23D 3/26; F23D 3/08; F23D
3/16; F23D 3/24
See application file for complete search history.

(56) **References Cited**

U.S. PATENT DOCUMENTS

- 1,320,109 A * 10/1919 Wooster F21V 35/00
431/291
- 1,344,446 A * 6/1920 Engman F21V 35/00
431/291
- 2,324,753 A * 7/1943 Alexiade F21V 35/00
431/323
- 2,758,460 A * 8/1956 Ciano F23D 3/00
431/298
- D284,024 S * 5/1986 Olson 4/290
- D364,269 S * 11/1995 Sabosky D3/207
- 6,361,311 B1 * 3/2002 Smith C11C 5/006
431/289
- D507,667 S * 7/2005 Aucoin D26/23
- 6,923,639 B2 * 8/2005 Pesu C11C 5/006
431/288
- D510,517 S * 10/2005 Noack D8/373
- D536,108 S * 1/2007 Adams D26/7
- D595,568 S * 7/2009 Ellwood D8/395
- D606,848 S * 12/2009 Jimenez D8/395

- D754,964 S * 5/2016 Hernandez D3/207
- D793,587 S * 8/2017 Avital D26/23
- 9,816,053 B2 * 11/2017 DelCotto C11C 5/006
- D835,833 S * 12/2018 Xing D26/116
- D871,193 S * 12/2019 Ruddick D8/356
- D872,910 S * 1/2020 Xing D26/6
- D875,515 S * 2/2020 Pretorius D8/394
- D907,470 S * 1/2021 Ruddick D8/356

(Continued)

OTHER PUBLICATIONS

“Homepal Wooden Wick Clip”, Mar. 26, 2017, Amazon.com, site visited Sep. 16, 2021: <https://www.amazon.com/Homepal-Anchors-Wooden-Candle-Wicks/dp/B06XX18GVP> (Year: 2017).*

(Continued)

Primary Examiner — Jack Reickel
Assistant Examiner — Michael A Kervin
(74) *Attorney, Agent, or Firm* — Gwen R. Acker Wood;
Acker Wood IP Law LLC

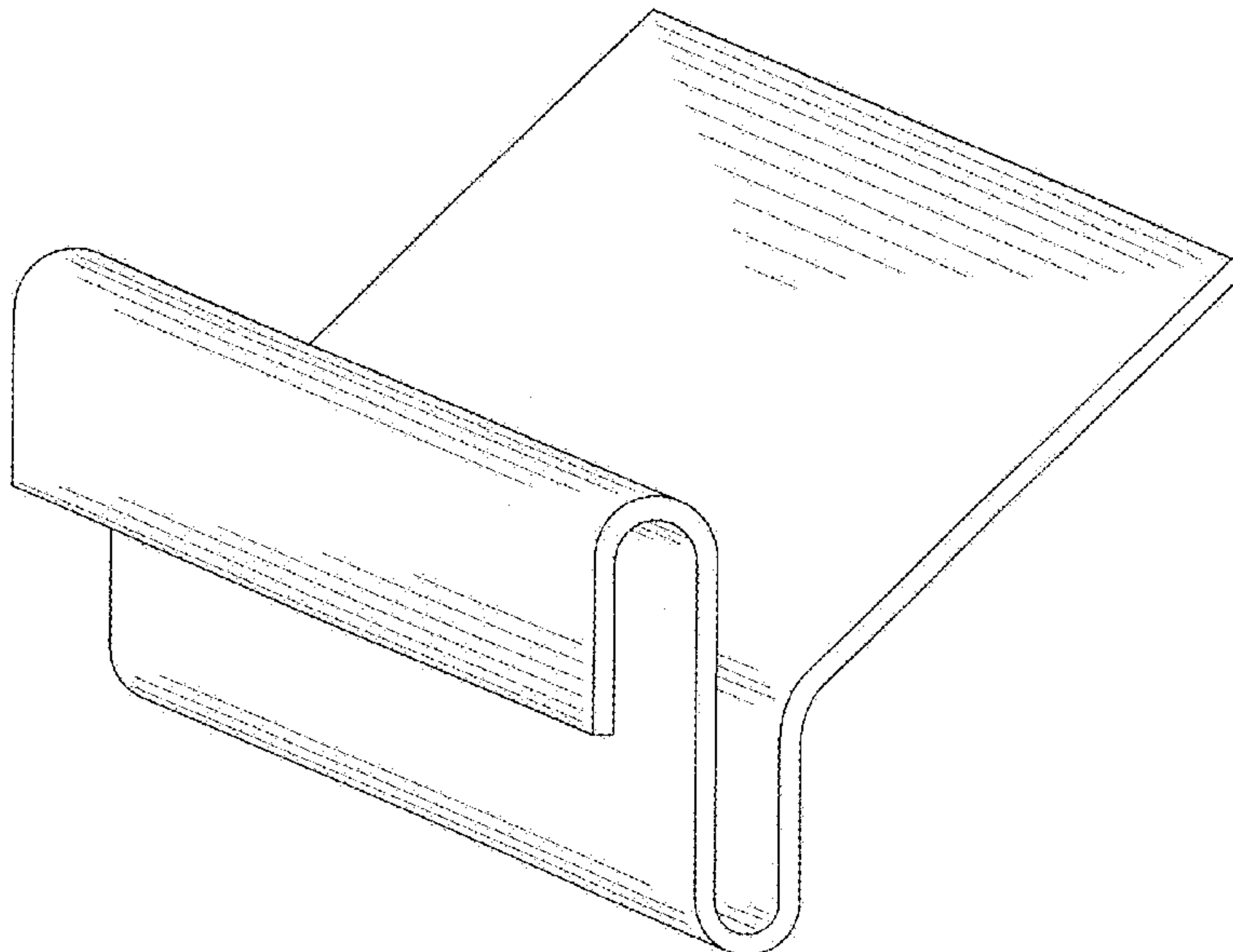
(57) **CLAIM**

The ornamental design for a clip to hold a wooden wick, as shown and described.

DESCRIPTION

FIG. 1 is a front perspective view of a clip according to our new design;
FIG. 2 is a front plan view of the clip of FIG. 1;
FIG. 3 is a rear plan view of the clip of FIG. 1;
FIG. 4 is a top plan view of the clip of FIG. 1;
FIG. 5 is a bottom plan view of the clip of FIG. 1;
FIG. 6 is a side plan view of the clip of FIG. 1; and,
FIG. 7 is a front perspective view of the clip of FIG. 1 shown with environment.
The broken line showing of wooden wicks is for the purpose of illustrating environmental structure and forms no part of the claimed design.

1 Claim, 4 Drawing Sheets



(56)

References Cited

U.S. PATENT DOCUMENTS

D919,840 S * 5/2021 Sablowski D26/23
2003/0064340 A1* 4/2003 Pappas F23D 3/26
431/298
2004/0033463 A1* 2/2004 Pesu F23D 3/26
431/289

OTHER PUBLICATIONS

“Candle Wick Holder”, Oct. 13, 2018, Amazon.com, site visited
Sep. 16, 2021: <https://www.amazon.com/Candle-Wick-Holder-Centering-Accessories/dp/B07JDK1821> (Year: 2018).*

* cited by examiner

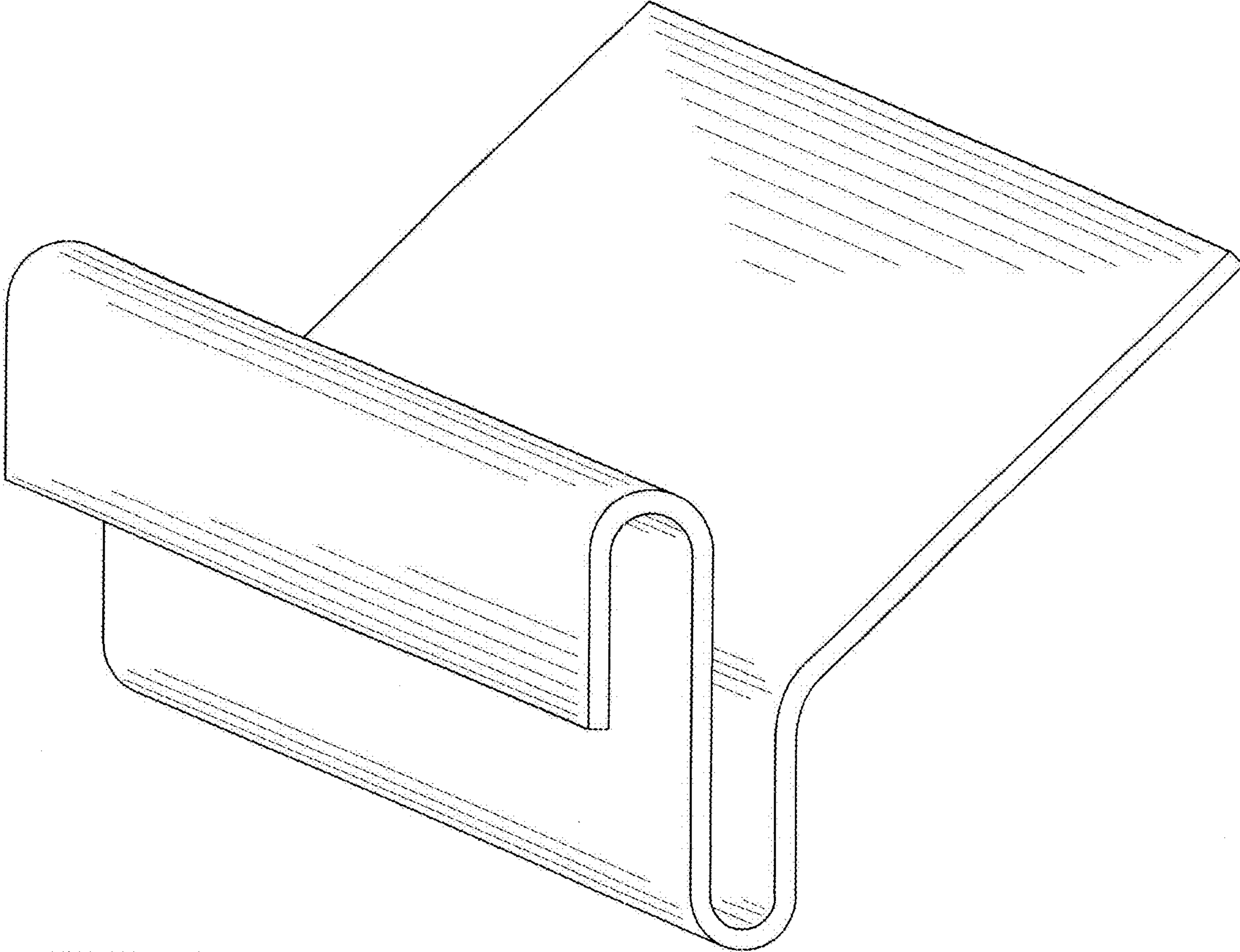


FIG. 1

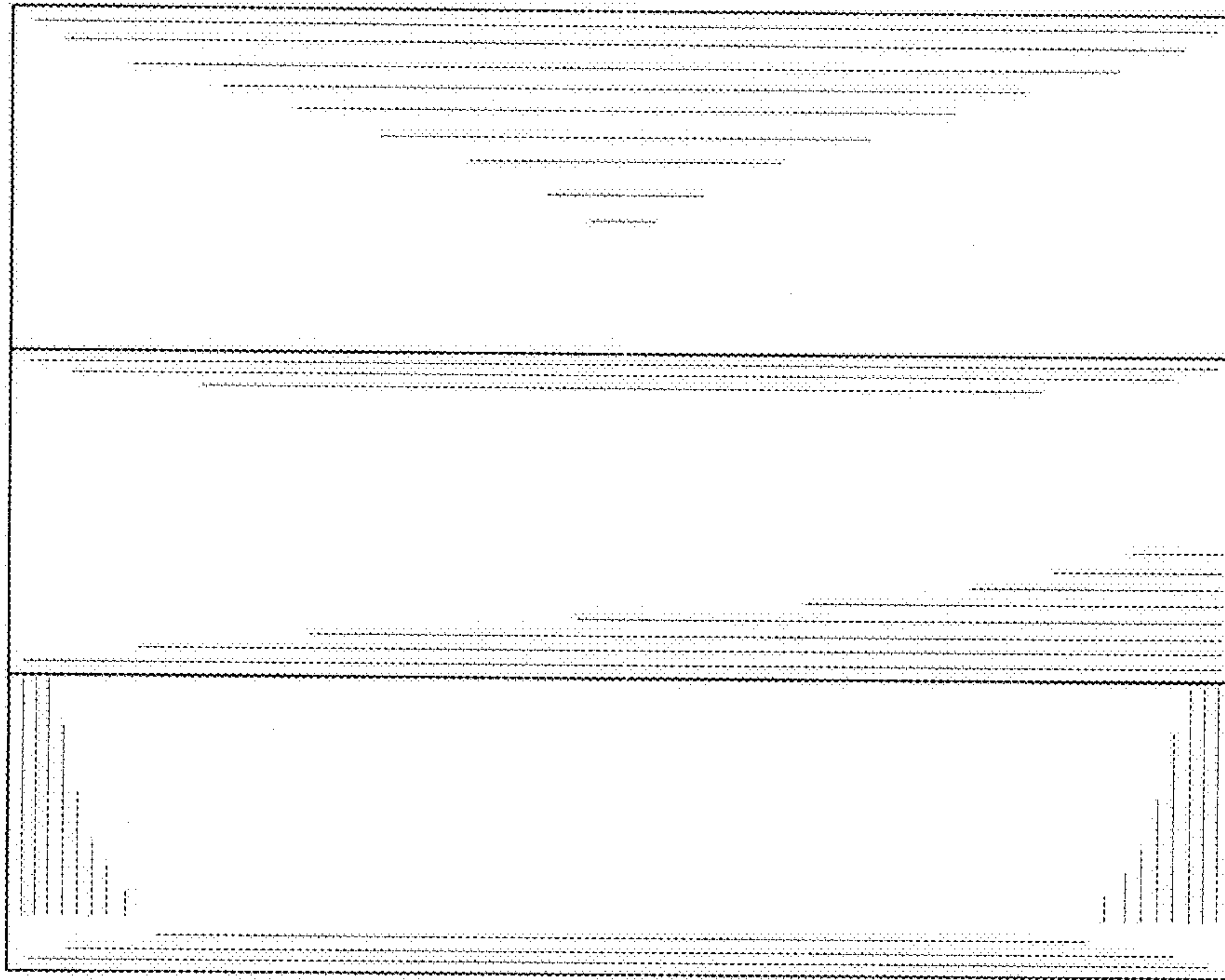


FIG. 2

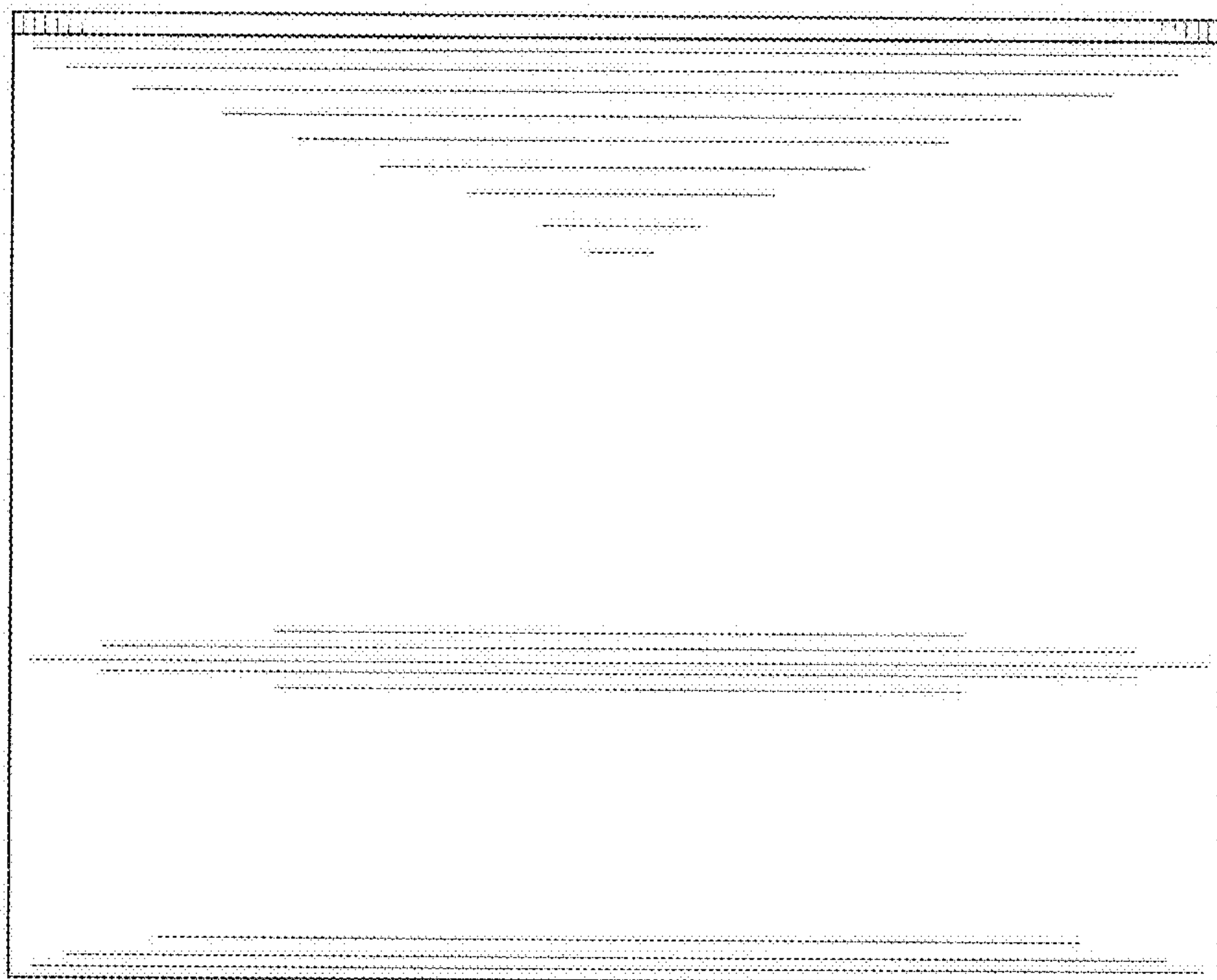


FIG. 3

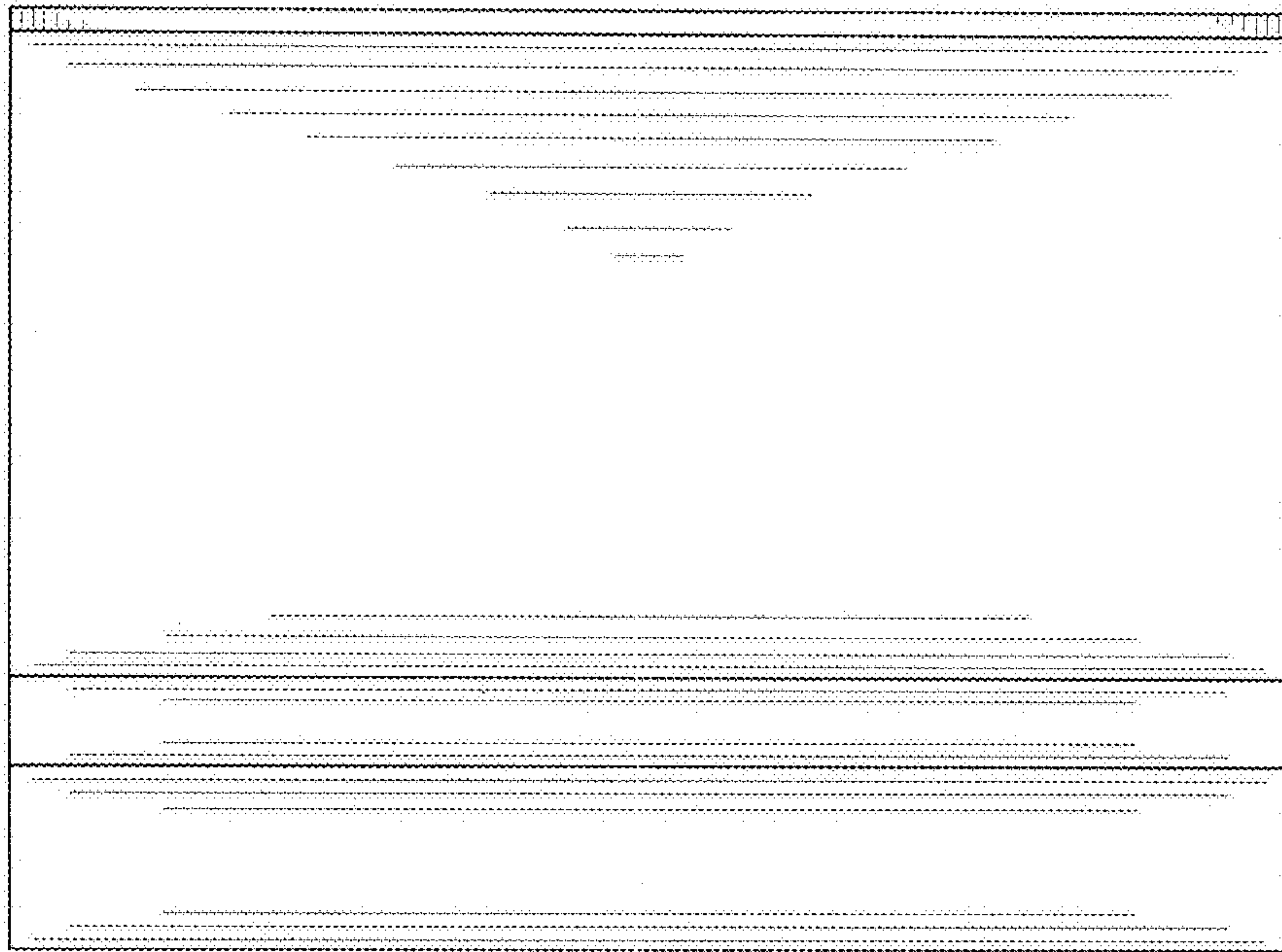


FIG. 4

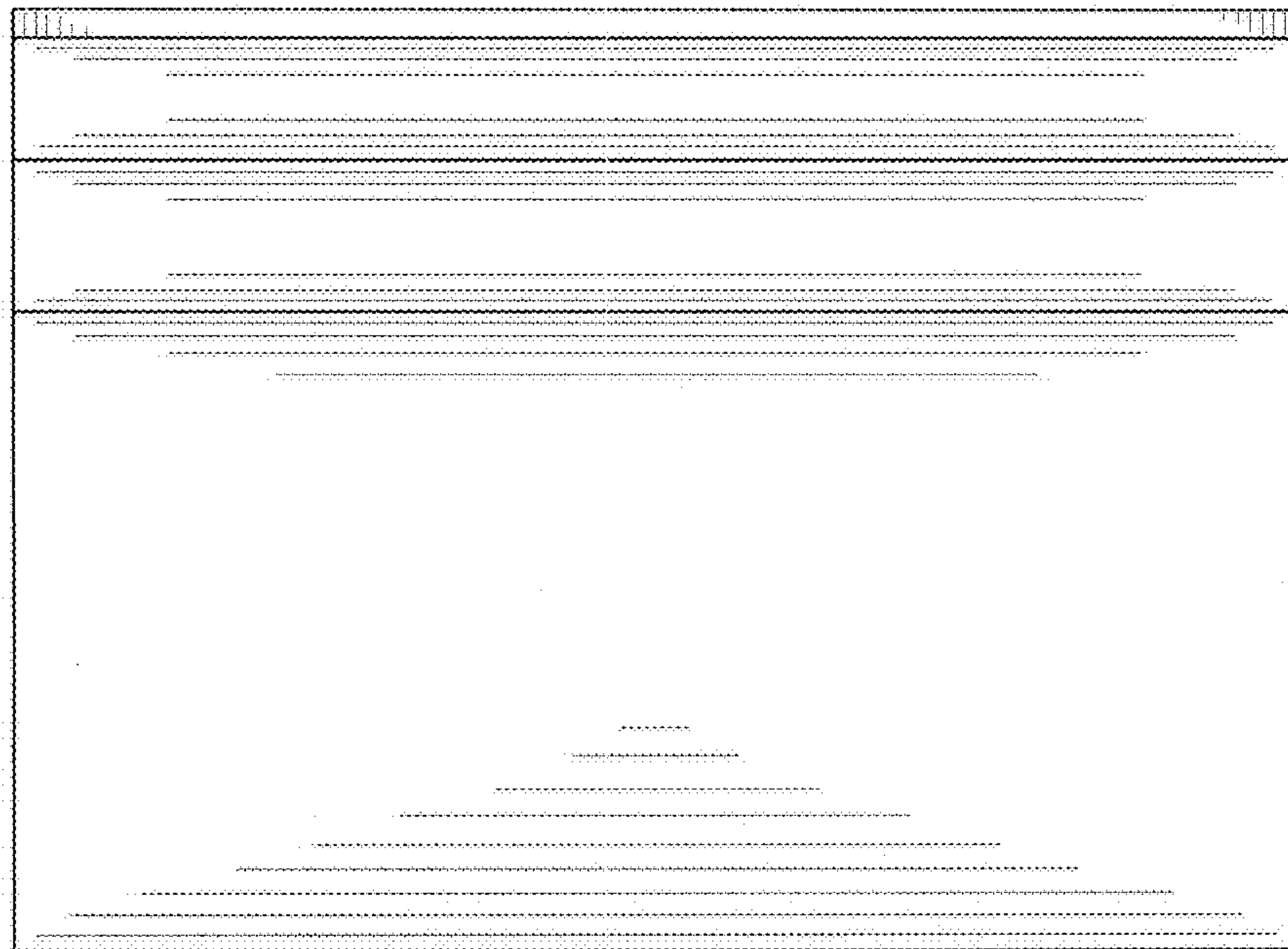


FIG. 5

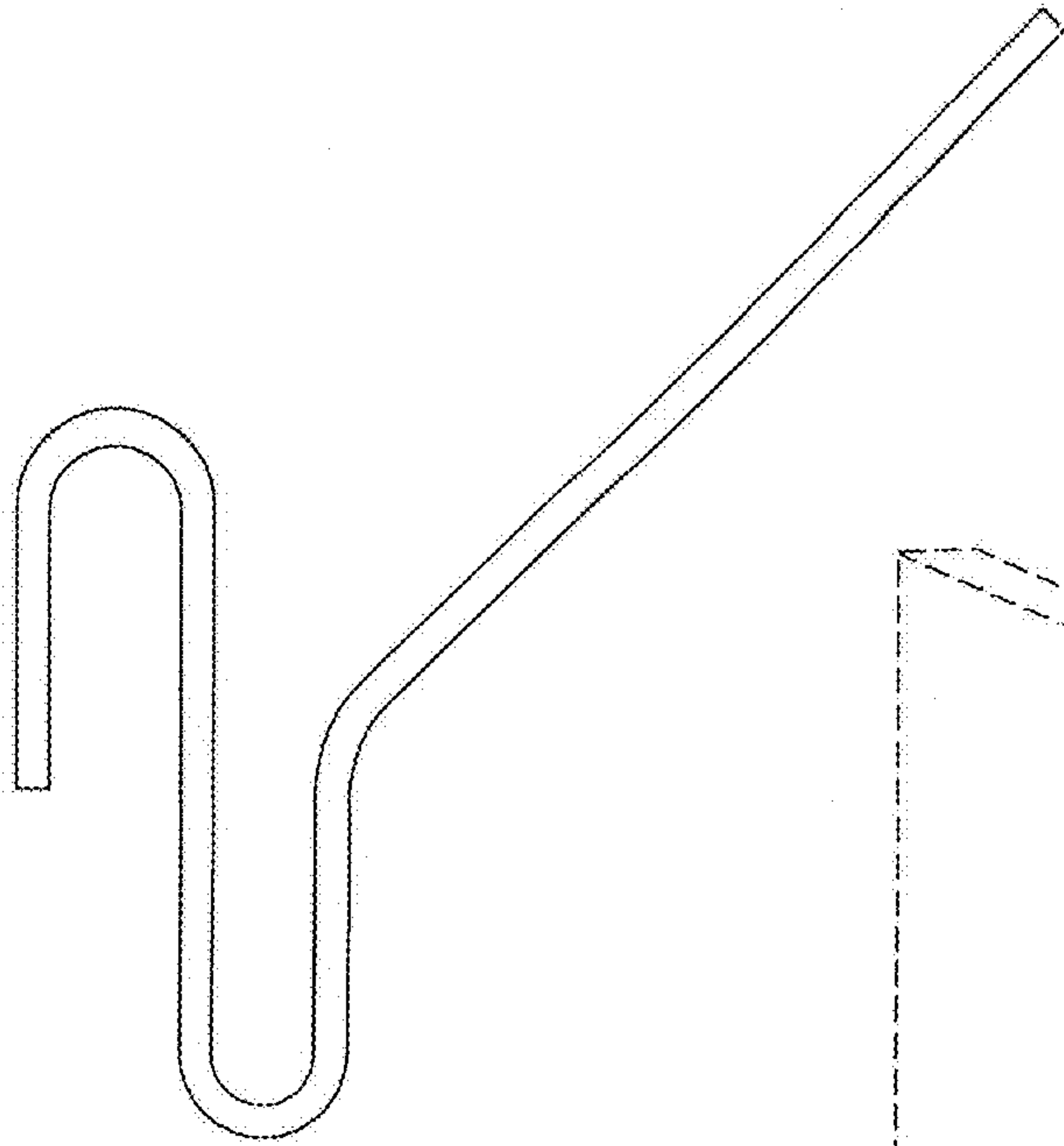


FIG. 6

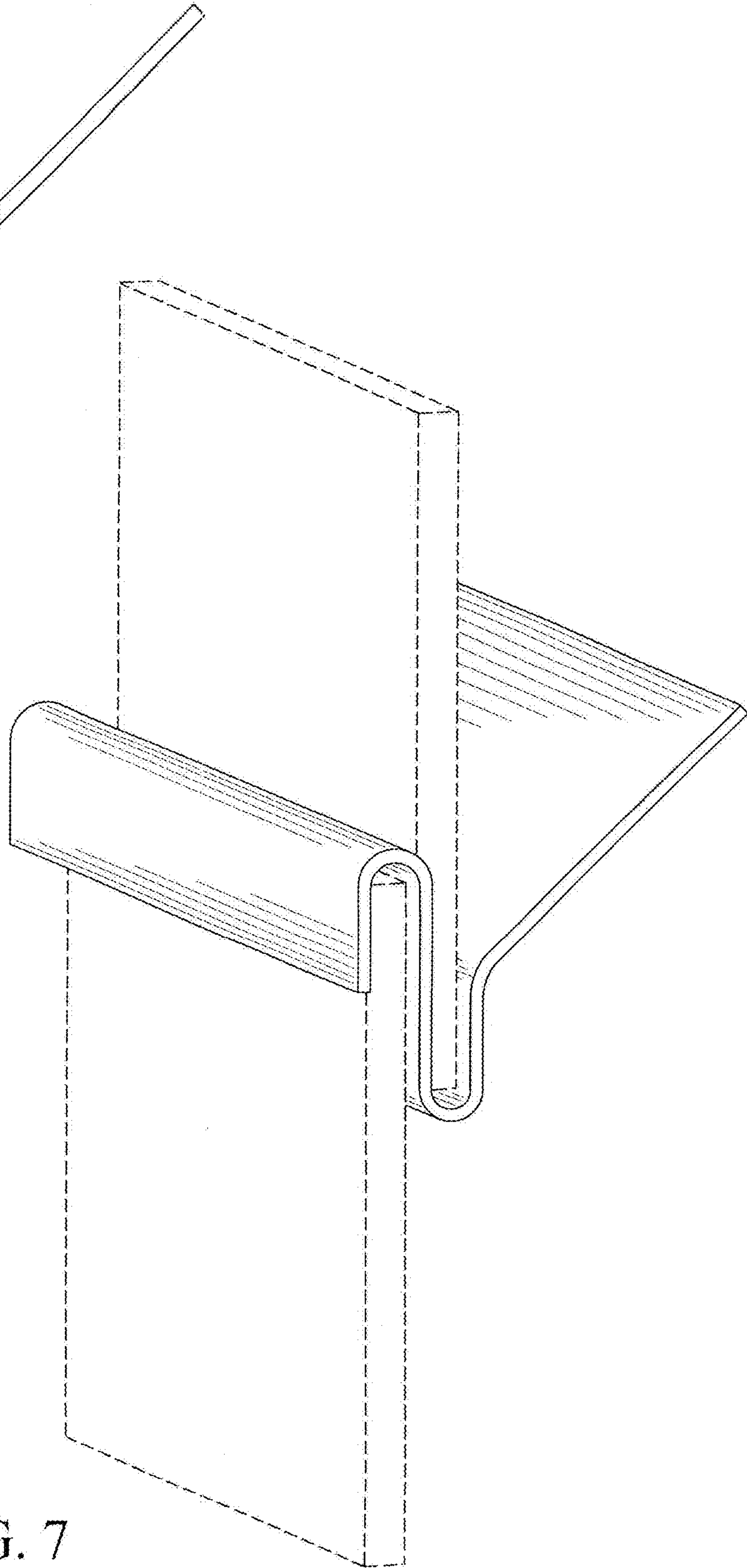


FIG. 7