



US00D939945S

(12) **United States Design Patent**
Schwartz

(10) **Patent No.:** **US D939,945 S**
(45) **Date of Patent:** **** Jan. 4, 2022**

(54) **FASTENER**

(71) Applicant: **Christopher Schwartz**, Startup, WA
(US)

(72) Inventor: **Christopher Schwartz**, Startup, WA
(US)

(**) Term: **15 Years**

(21) Appl. No.: **29/688,770**

(22) Filed: **Apr. 24, 2019**

(51) **LOC (13) Cl.** **08-08**

(52) **U.S. Cl.**
USPC **D8/391**

(58) **Field of Classification Search**
USPC D8/391-393, 384-385, 388-390, 350,
D8/352; D21/718, 760, 839-840;
D22/117, 119; D10/61, 70-71; D7/213,
D7/387, 683; D11/222, 207
See application file for complete search history.

(56) **References Cited**

U.S. PATENT DOCUMENTS

- D322,556 S * 12/1991 Jeter D8/388
- D379,210 S * 5/1997 Hartmann D21/387
- D462,257 S * 9/2002 Alexander D8/391
- D588,446 S * 3/2009 Hashim D8/391
- D619,887 S * 7/2010 Colton A61B 17/068
- D8/396
- D629,293 S * 12/2010 DuFour D8/388
- D679,540 S * 4/2013 Eaton D7/387
- 8,753,042 B1 * 6/2014 Thompson F16B 15/0053
- 405/259.1
- D768,297 S * 10/2016 Nering D24/145
- D774,404 S * 12/2016 Piro D10/47
- D780,276 S * 2/2017 Dawson D21/840
- D780,882 S * 3/2017 Barker D22/199
- D782,674 S * 3/2017 Nering D24/145

- D856,788 S * 8/2019 Morey E01F 13/12
- D8/391
- D867,865 S * 11/2019 Ryan D8/382
- D887,508 S * 6/2020 Reid D21/718
- 2008/0131233 A1 * 6/2008 Yao F16B 15/08
- 411/456
- 2009/0263190 A1 * 10/2009 Segal E01F 13/12
- 404/6
- 2016/0143637 A1 * 5/2016 Nering A61B 17/068
- 606/151

OTHER PUBLICATIONS

Cloth Nails Horticultural, Date Visited: Apr. 10, 2021, aliexpress, Date Available: Apr. 10, 2021, <https://www.aliexpress.com/item/4001081111263.html> (Year: 2021).*

* cited by examiner

Primary Examiner — Janice Hallmark
Assistant Examiner — Elizabeth S Ko
(74) *Attorney, Agent, or Firm* — Sanchelima & Associates, P.A.; Christian Sanchelima; Jesus Sanchelima

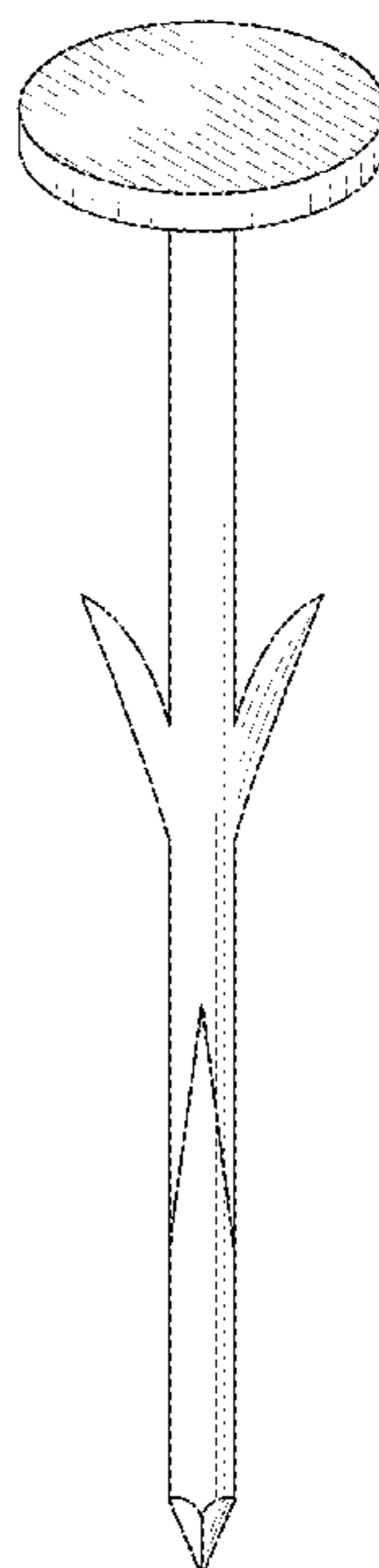
(57) **CLAIM**

The ornamental design for a fastener, as shown and described.

DESCRIPTION

FIG. 1 is an isometric view of a fastener showing my new design;
FIG. 2 is a right view thereof;
FIG. 3 is a left view thereof;
FIG. 4 is a front side view thereof;
FIG. 5 is a rear side view thereof;
FIG. 6 is a top view thereof; and,
FIG. 7 is a bottom view thereof.

1 Claim, 4 Drawing Sheets



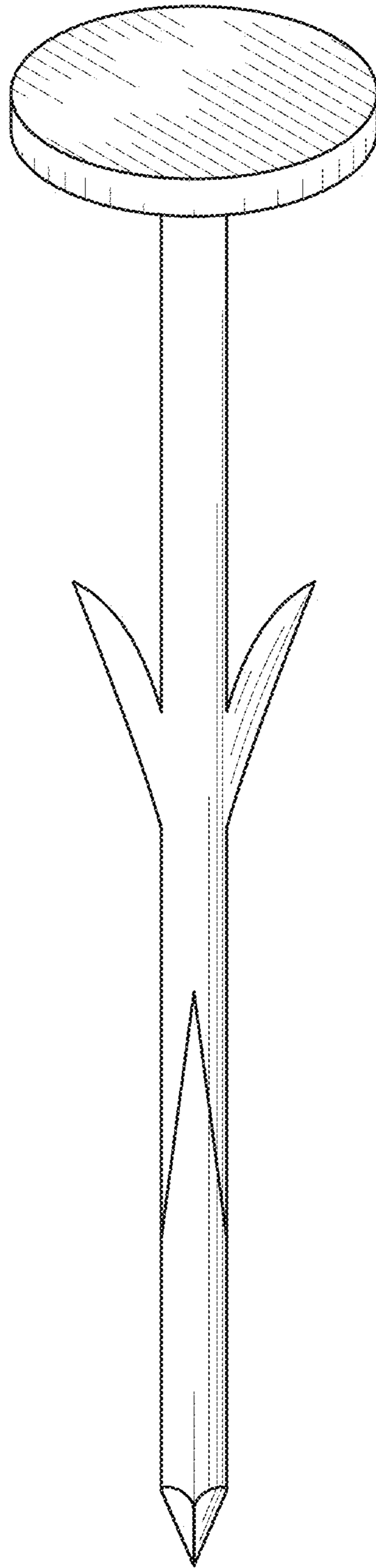


FIG. 1

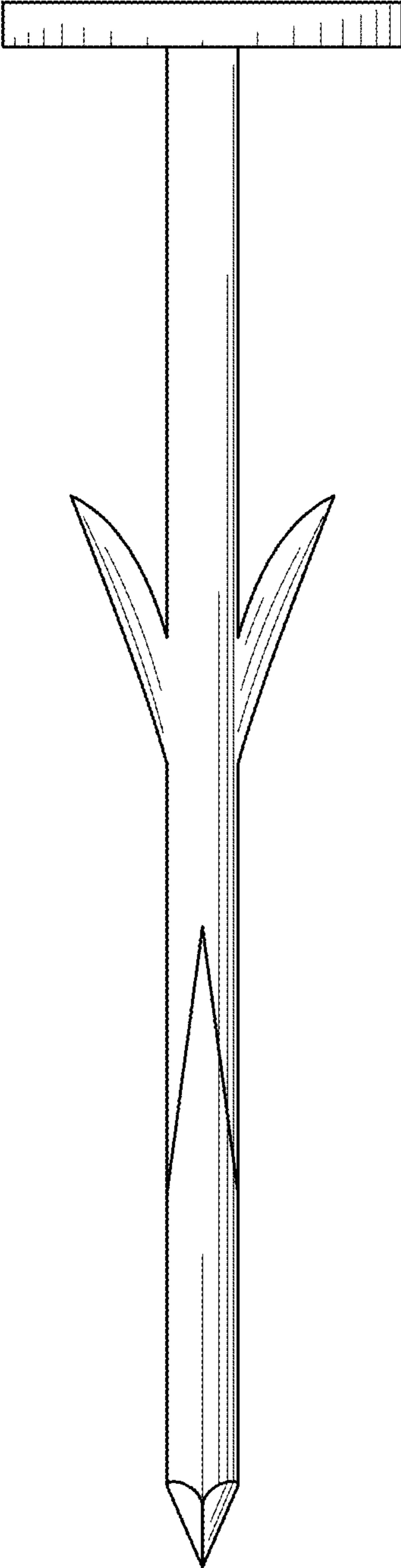


FIG. 2

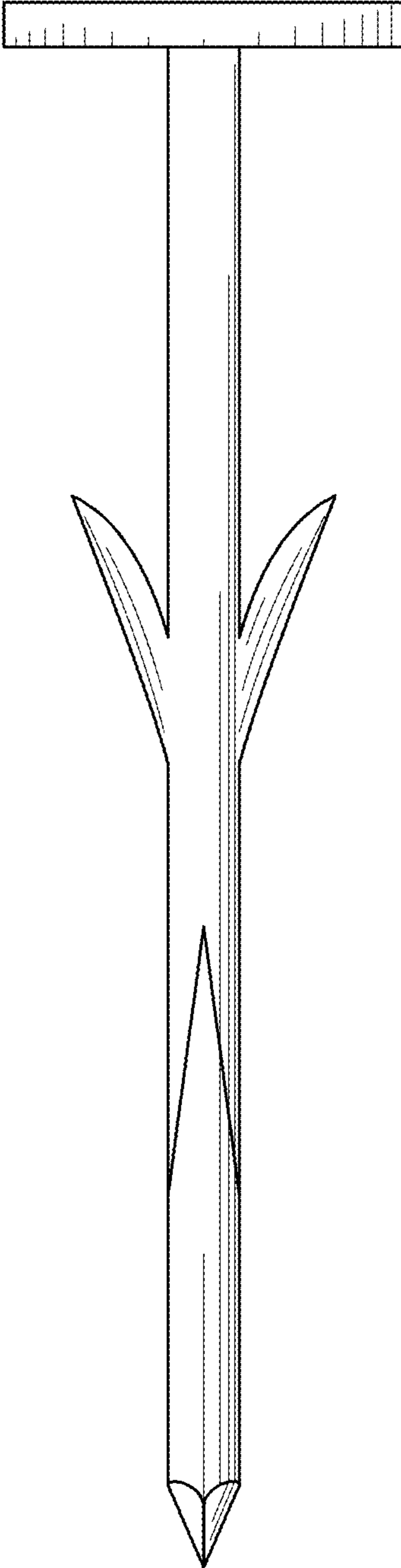


FIG. 3

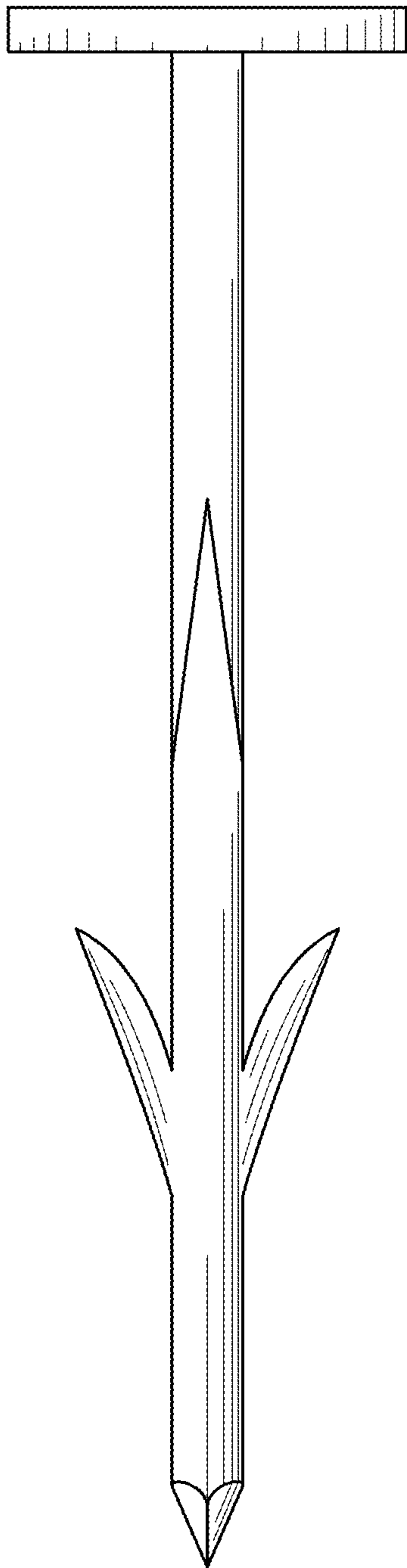


FIG. 4

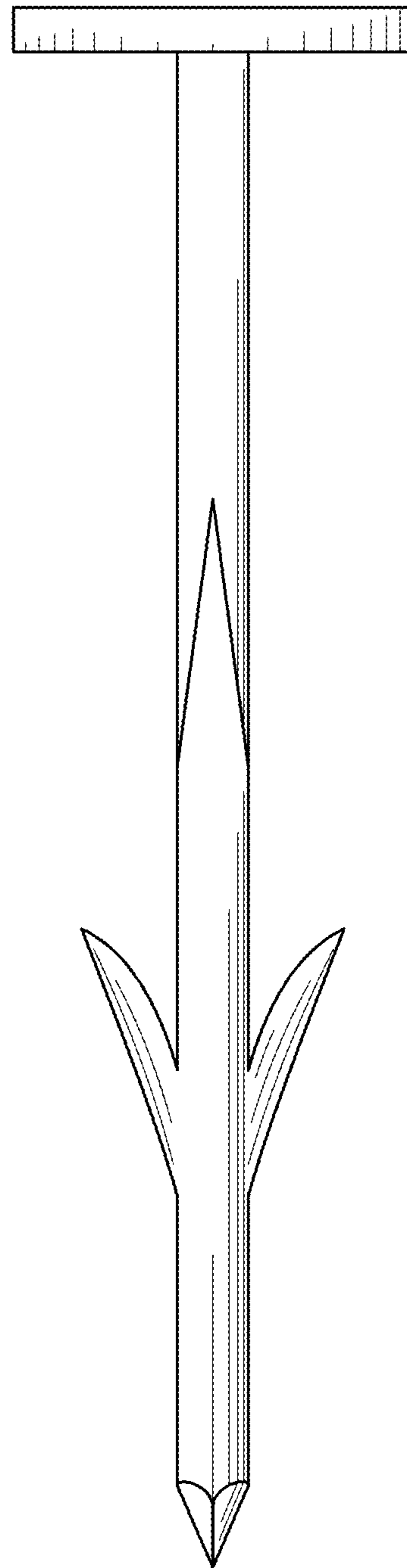


FIG. 5

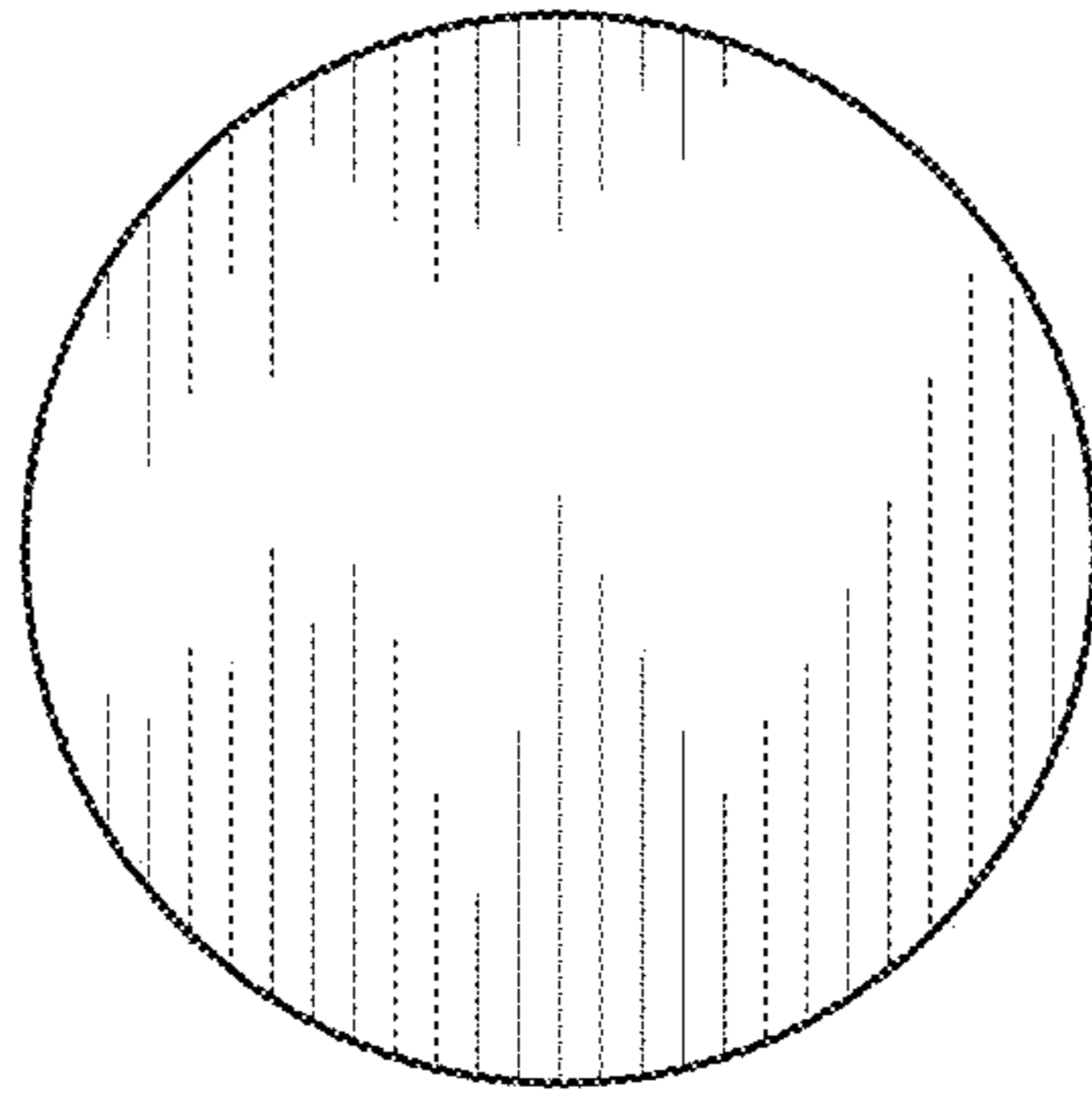


FIG. 6

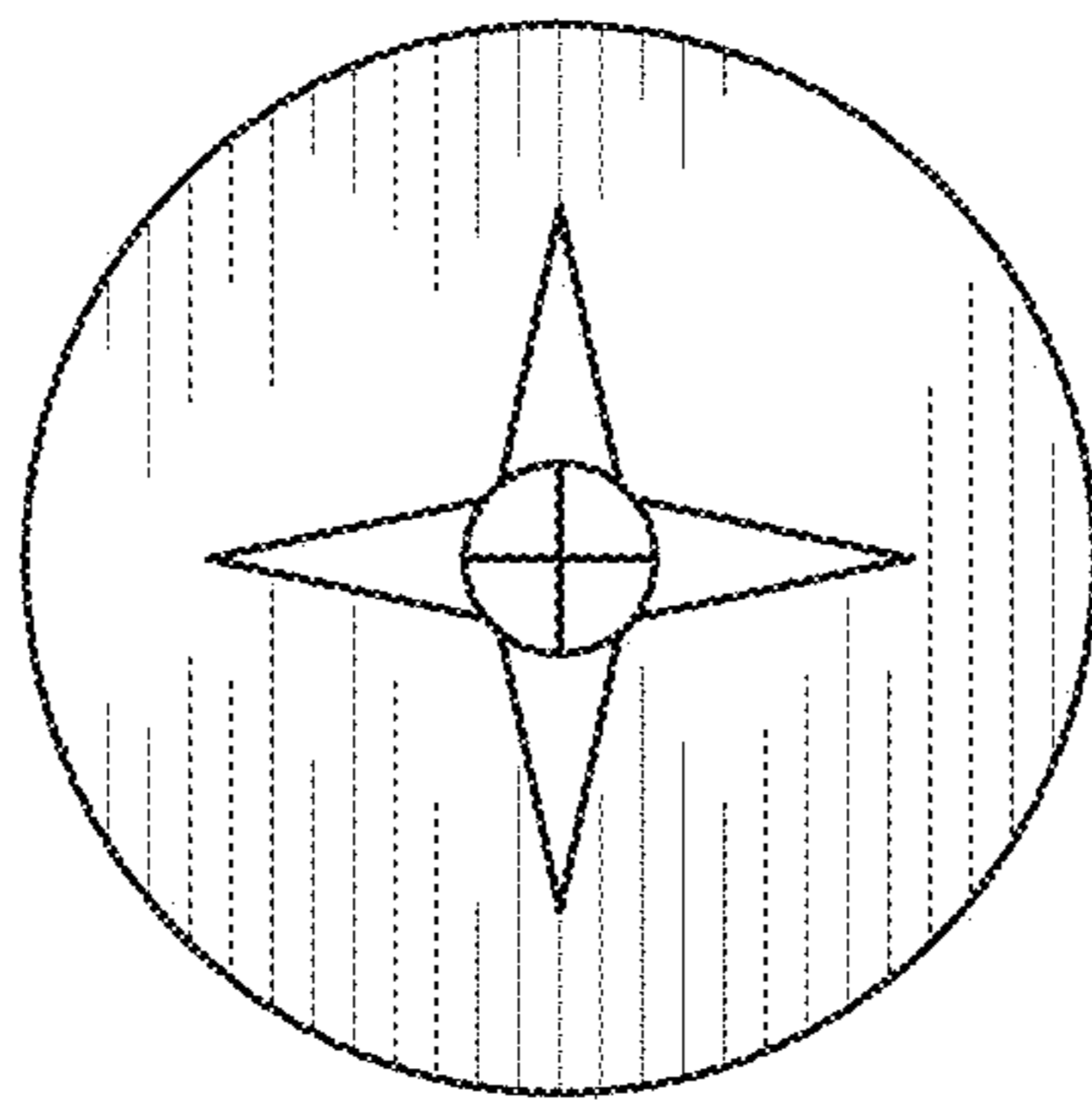


FIG. 7