



US00D939944S

(12) **United States Design Patent**
Lindström

(10) **Patent No.:** **US D939,944 S**

(45) **Date of Patent:** **** Jan. 4, 2022**

(54) **WHEEL FORK FOR DOLLIES AND
WHEELED PLATFORMS**

(71) Applicants: **K. Hartwall Oy Ab**, Söderkulla (FI);
Container Centralen A/S, Odense SV
(DK)

(72) Inventor: **Johan Lindström**, Söderkulla (FI)

(73) Assignees: **K. Hartwall Oy Ab**, Soderkulla (FI);
CC European Retail A/S,
Charlottenlund (DK)

(**) Term: **15 Years**

(21) Appl. No.: **29/661,896**

(22) Filed: **Aug. 31, 2018**

(30) **Foreign Application Priority Data**

Mar. 1, 2018 (EM) 004734218-0002

(51) **LOC (13) Cl.** **08-05**

(52) **U.S. Cl.**
USPC **D8/375**

(58) **Field of Classification Search**
USPC D8/354, 366, 371, 372, 367, 374, 373,
D8/376, 375; D17/9, 20, 99; D6/708.16,
D6/710
CPC B60B 33/0042; B60B 33/00
See application file for complete search history.

(56) **References Cited**

U.S. PATENT DOCUMENTS

D401,844 S * 12/1998 Klippert, Jr. D8/375
D703,029 S * 4/2014 Fox D8/373

D828,144 S * 9/2018 Rodack D8/374
D858,255 S * 9/2019 Fox D8/354
D895,403 S * 9/2020 Fox D8/354
2008/0282641 A1* 11/2008 Sackett E04B 7/045
52/715
2016/0168840 A1* 6/2016 Monty F16B 7/0493
52/262
2021/0001909 A1* 1/2021 Raninen B62B 3/02
2021/0053601 A1* 2/2021 Gronholm B62B 3/025

* cited by examiner

Primary Examiner — Eliza Z Bennett-Hattan

(74) *Attorney, Agent, or Firm* — McCormick, Paulding &
Huber PLLC

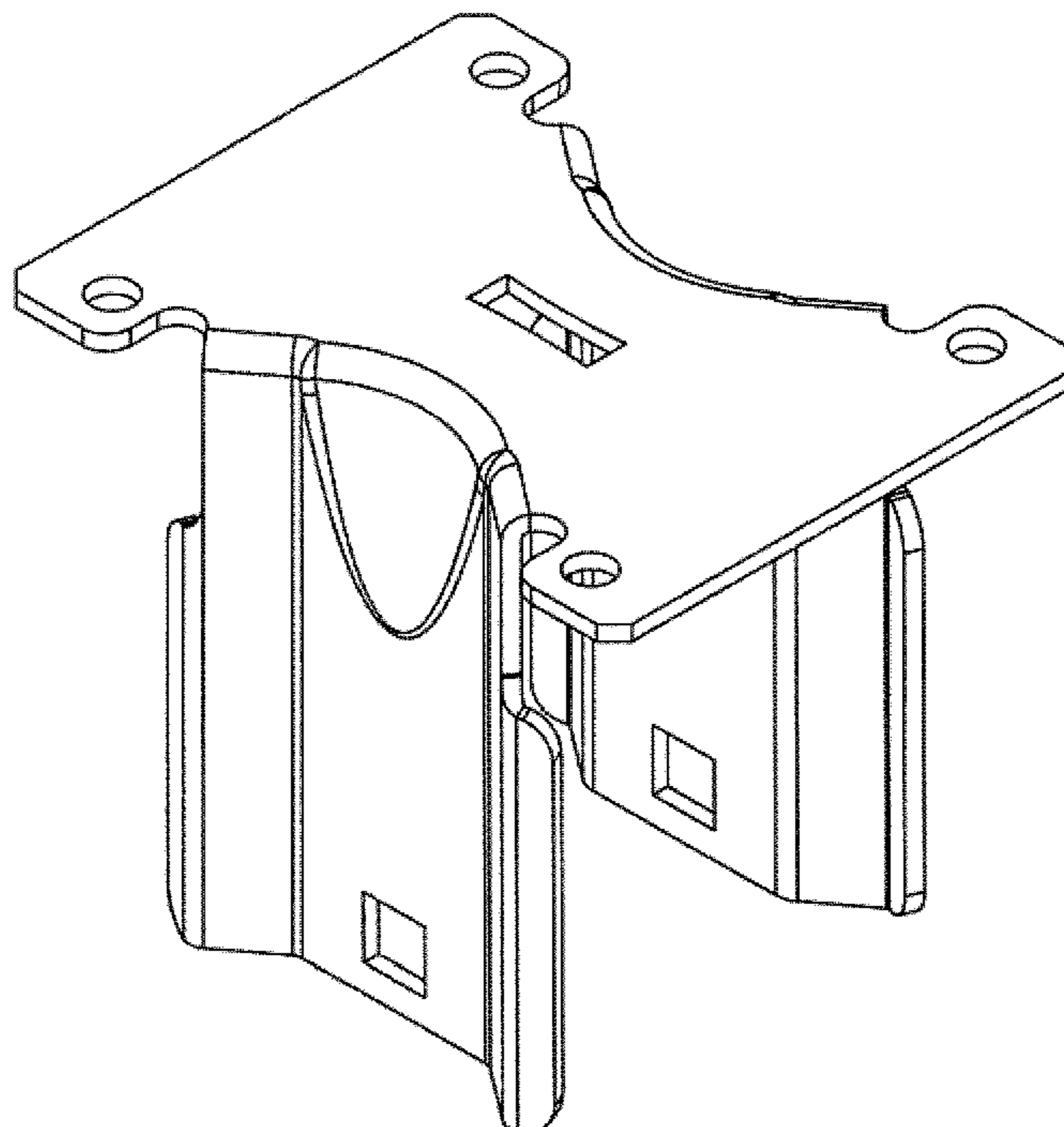
(57) **CLAIM**

The ornamental design for a wheel fork for dollies and
wheeled platforms, substantially as shown and described.

DESCRIPTION

FIG. 1 is a front, right side and top perspective view of a
wheel fork for dollies [wheeled platforms] comprising a
new, original and ornamental design;
FIG. 2 is a rear, left side and bottom perspective view
thereof;
FIG. 3 is a front view thereof;
FIG. 4 is a right side view thereof;
FIG. 5 is a top view thereof;
FIG. 6 is a bottom view thereof;
FIG. 7 is a rear view thereof; and,
FIG. 8 is a left side view thereof.

1 Claim, 8 Drawing Sheets



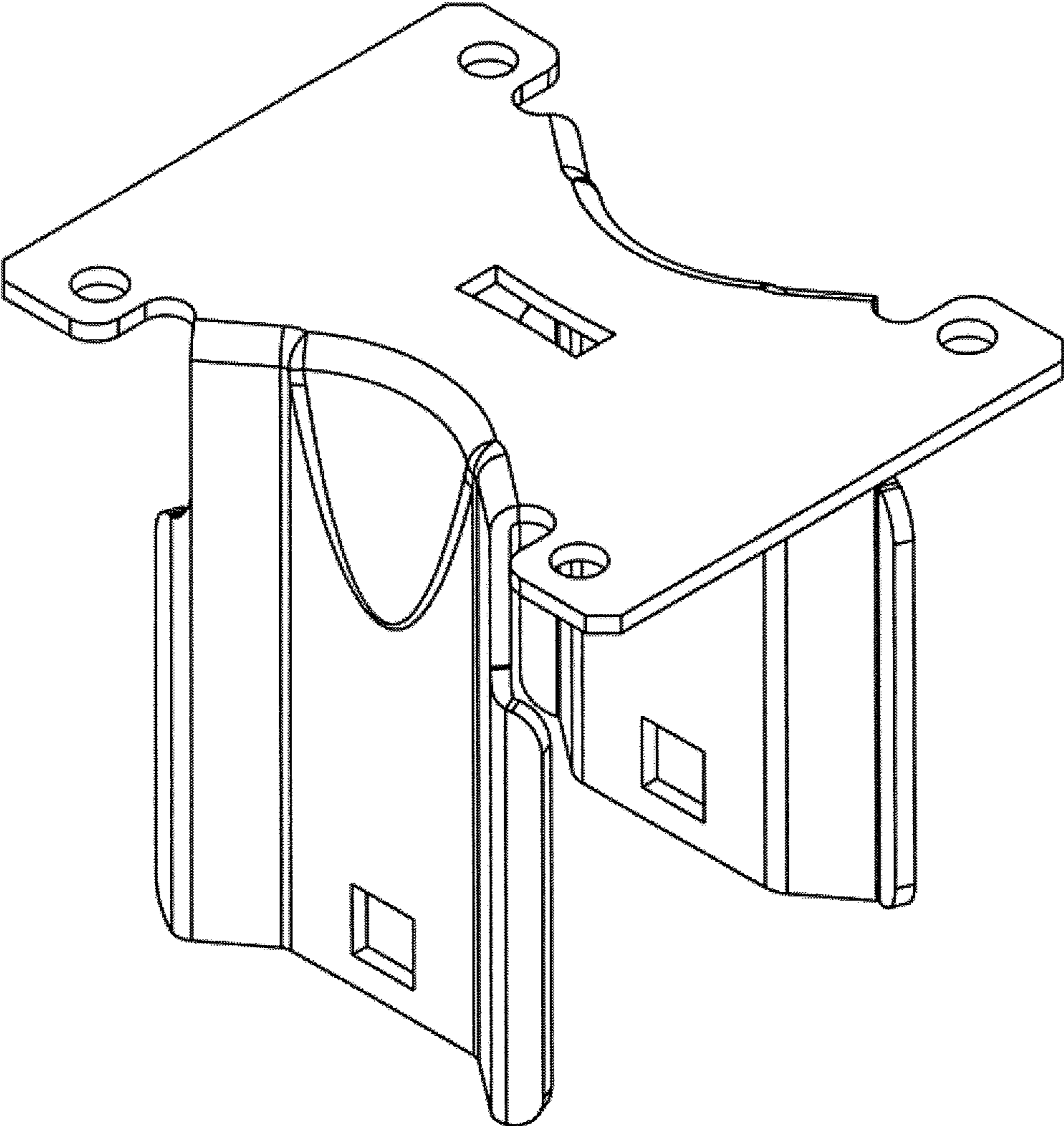


FIG. 1

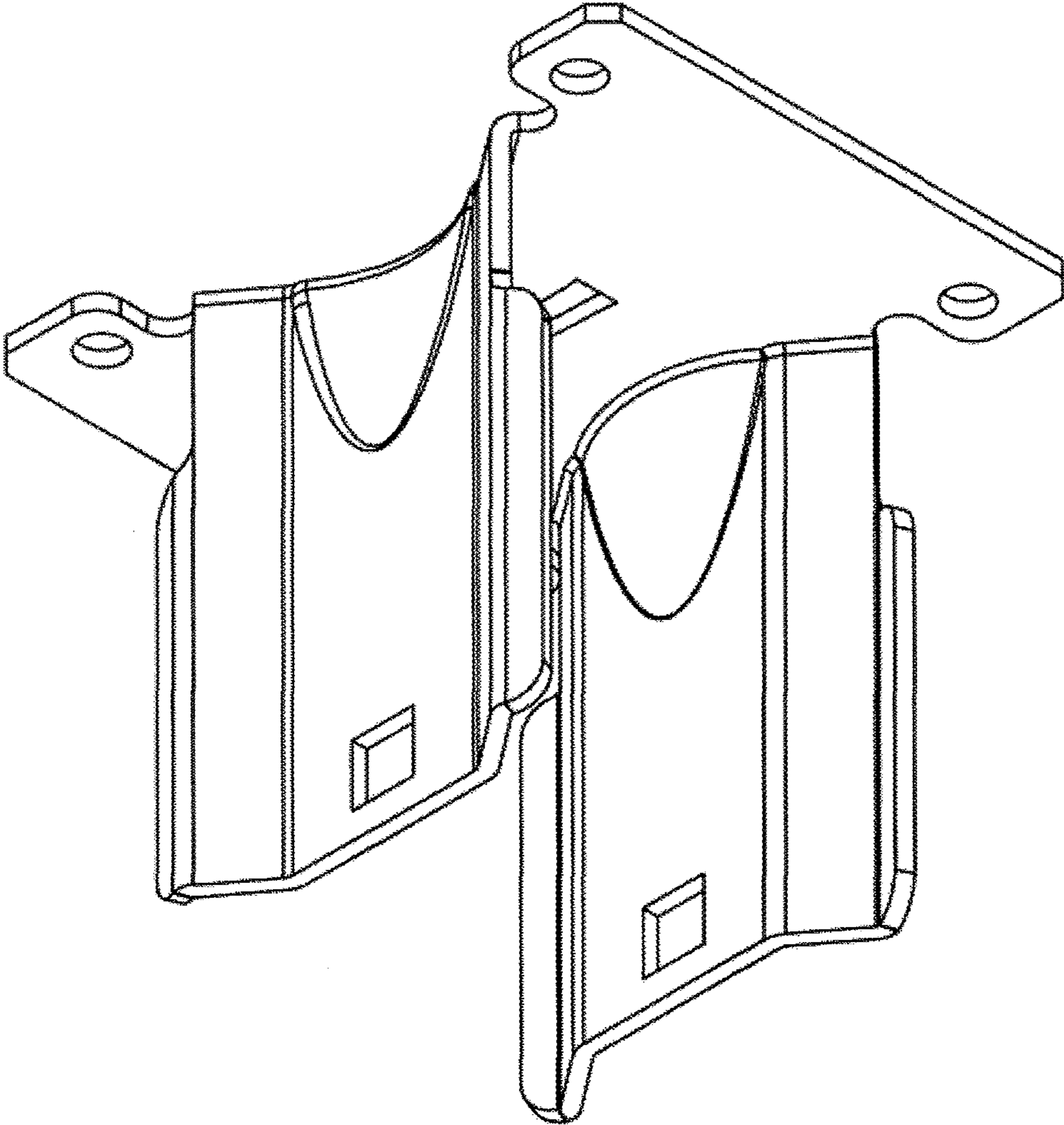


FIG. 2

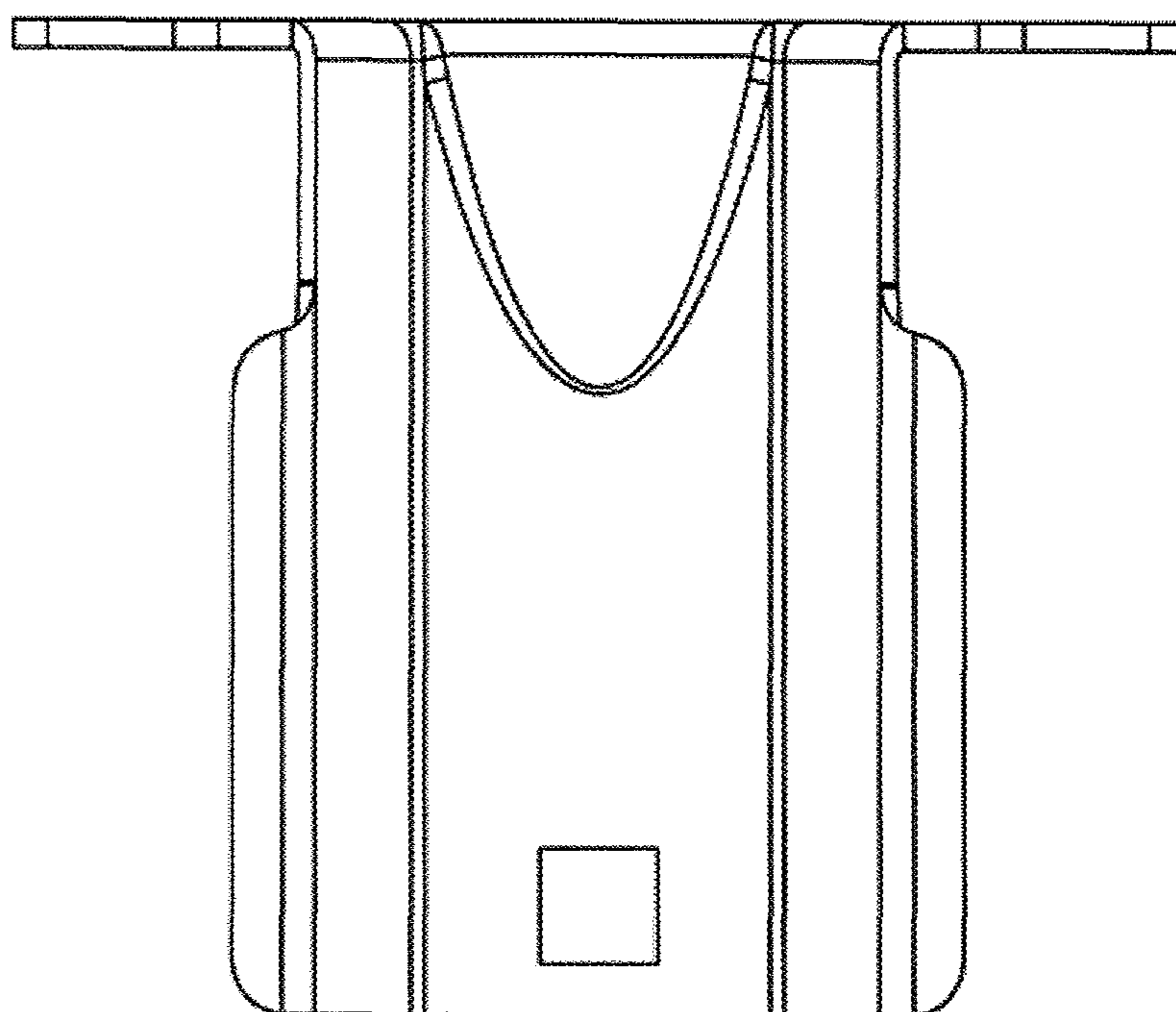


FIG. 3

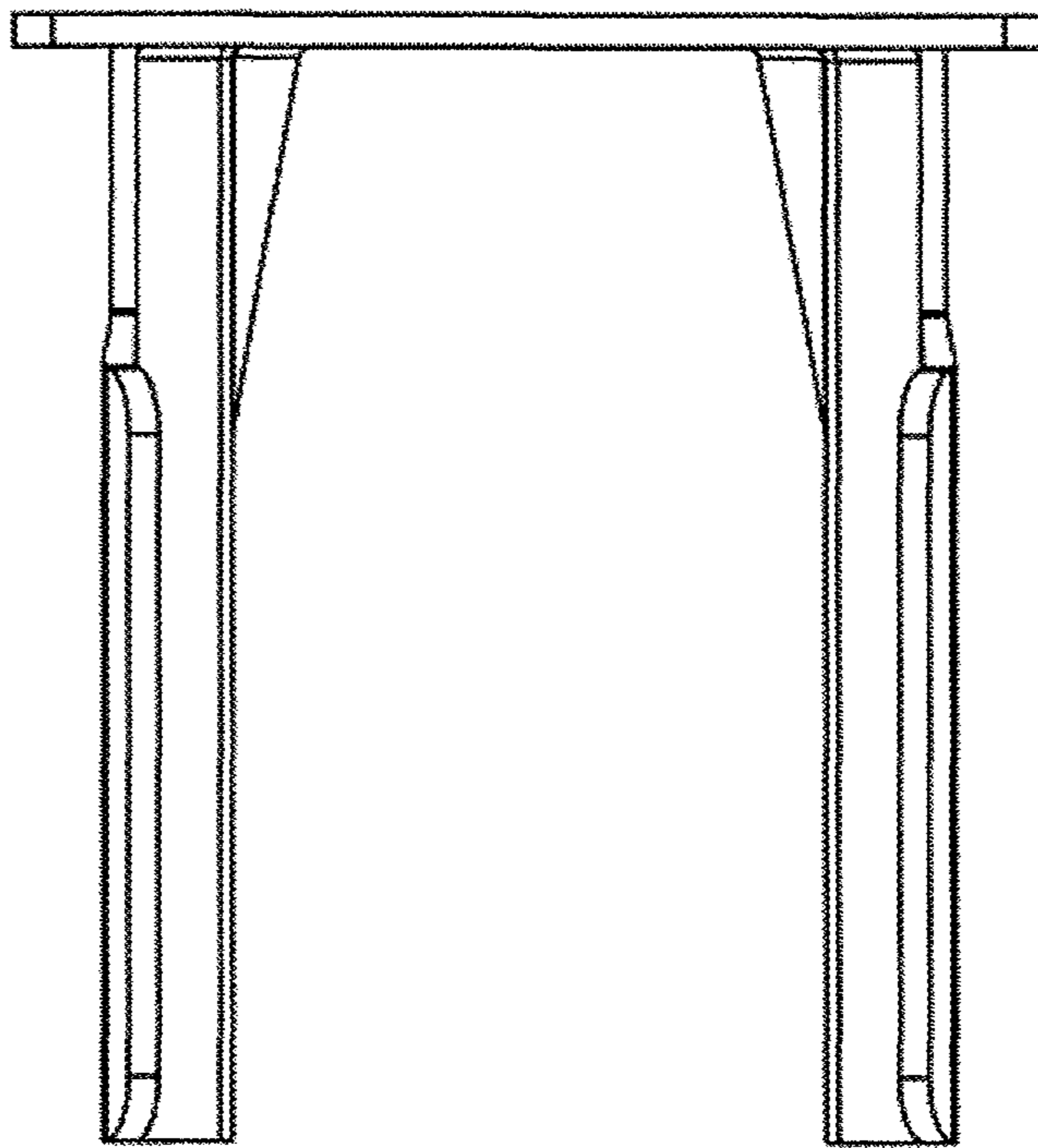


FIG. 4

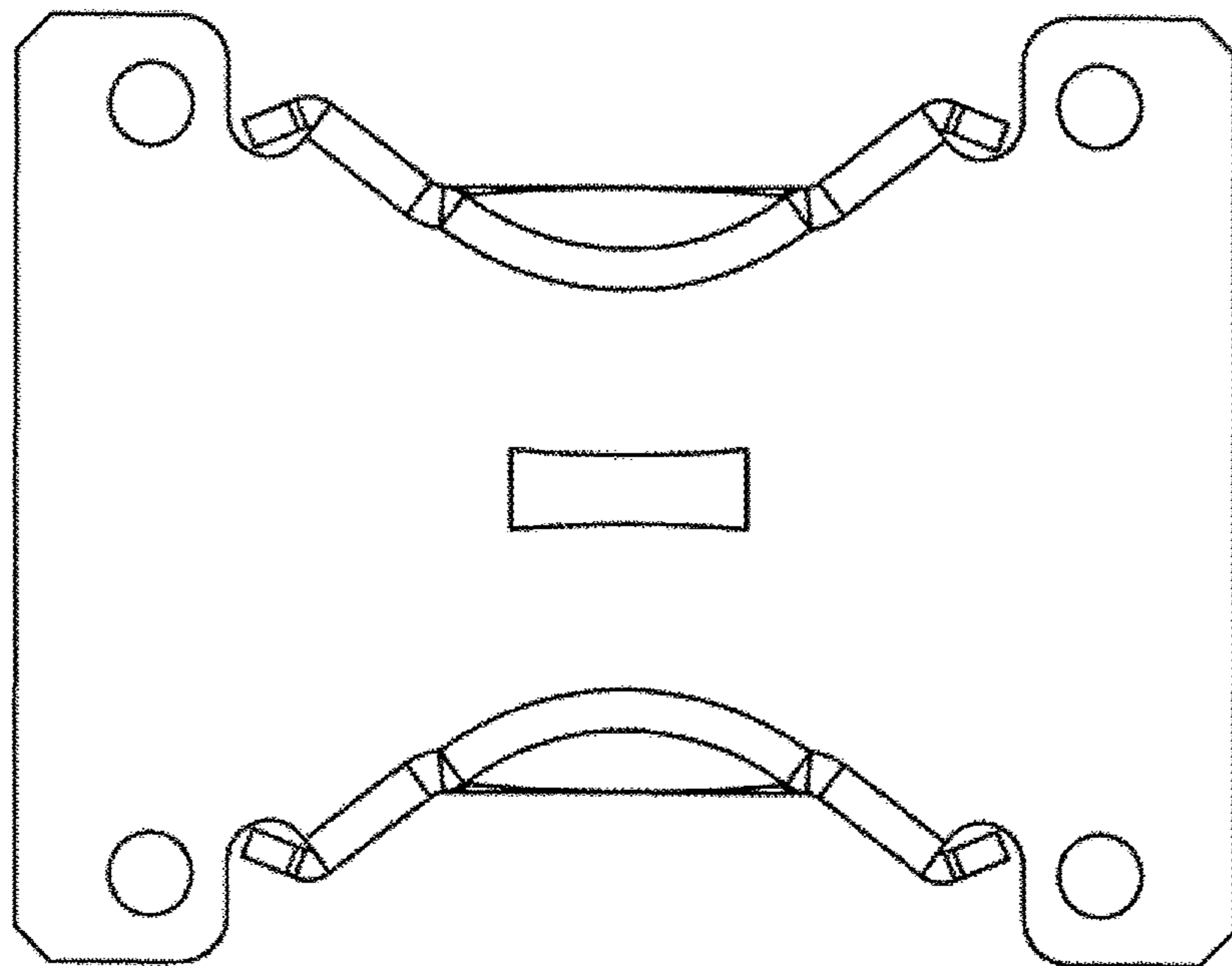


FIG. 5

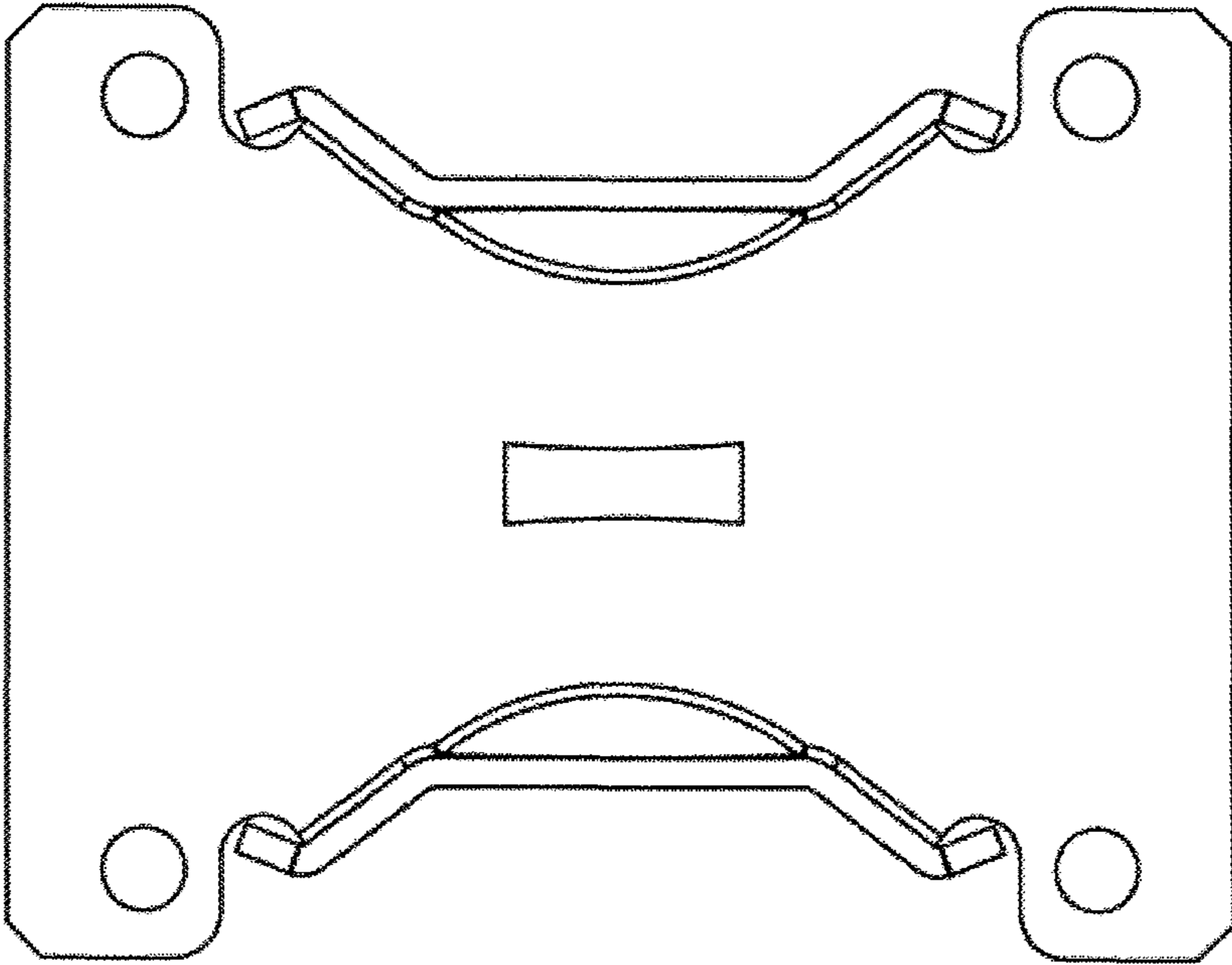


FIG. 6

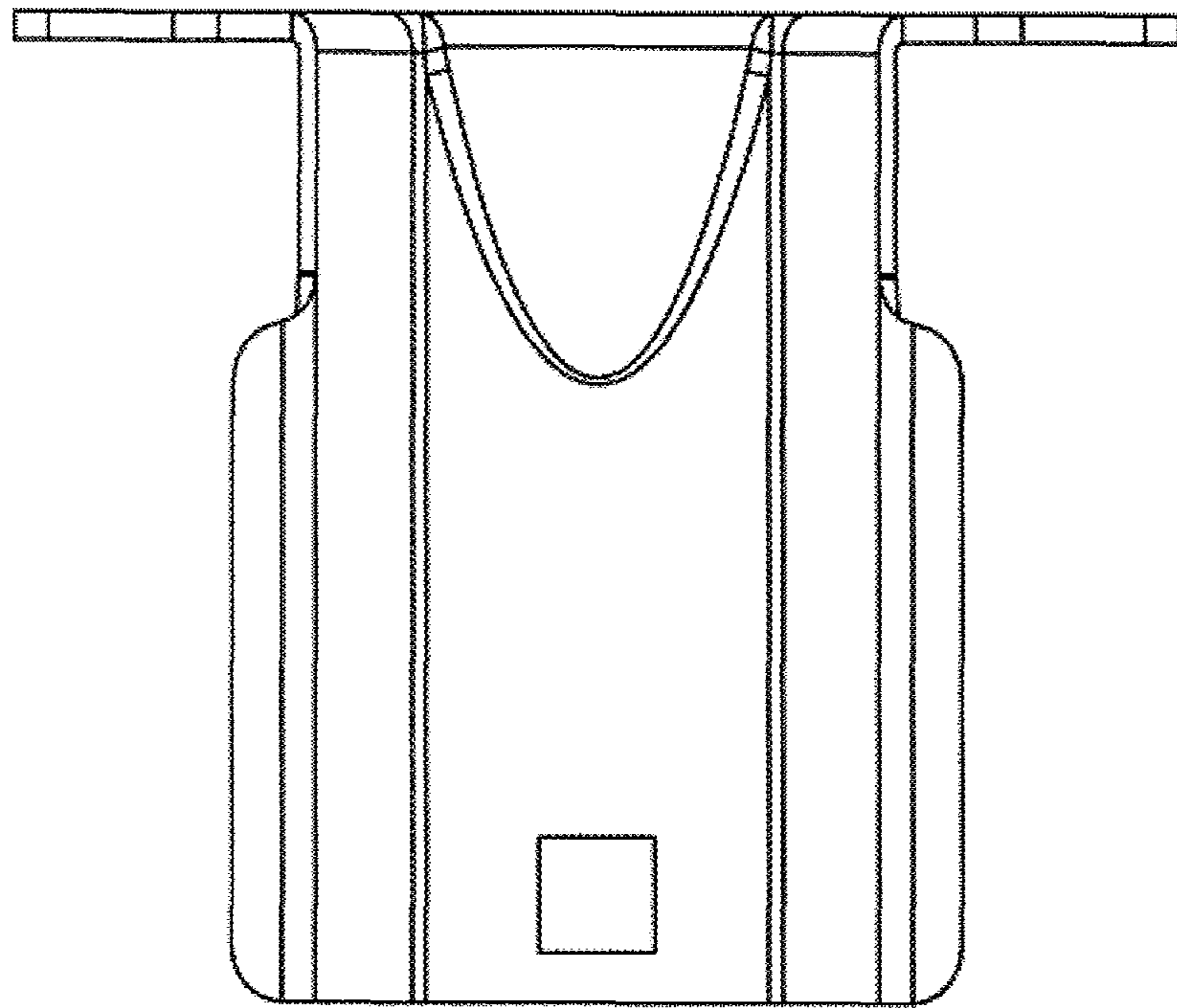


FIG. 7

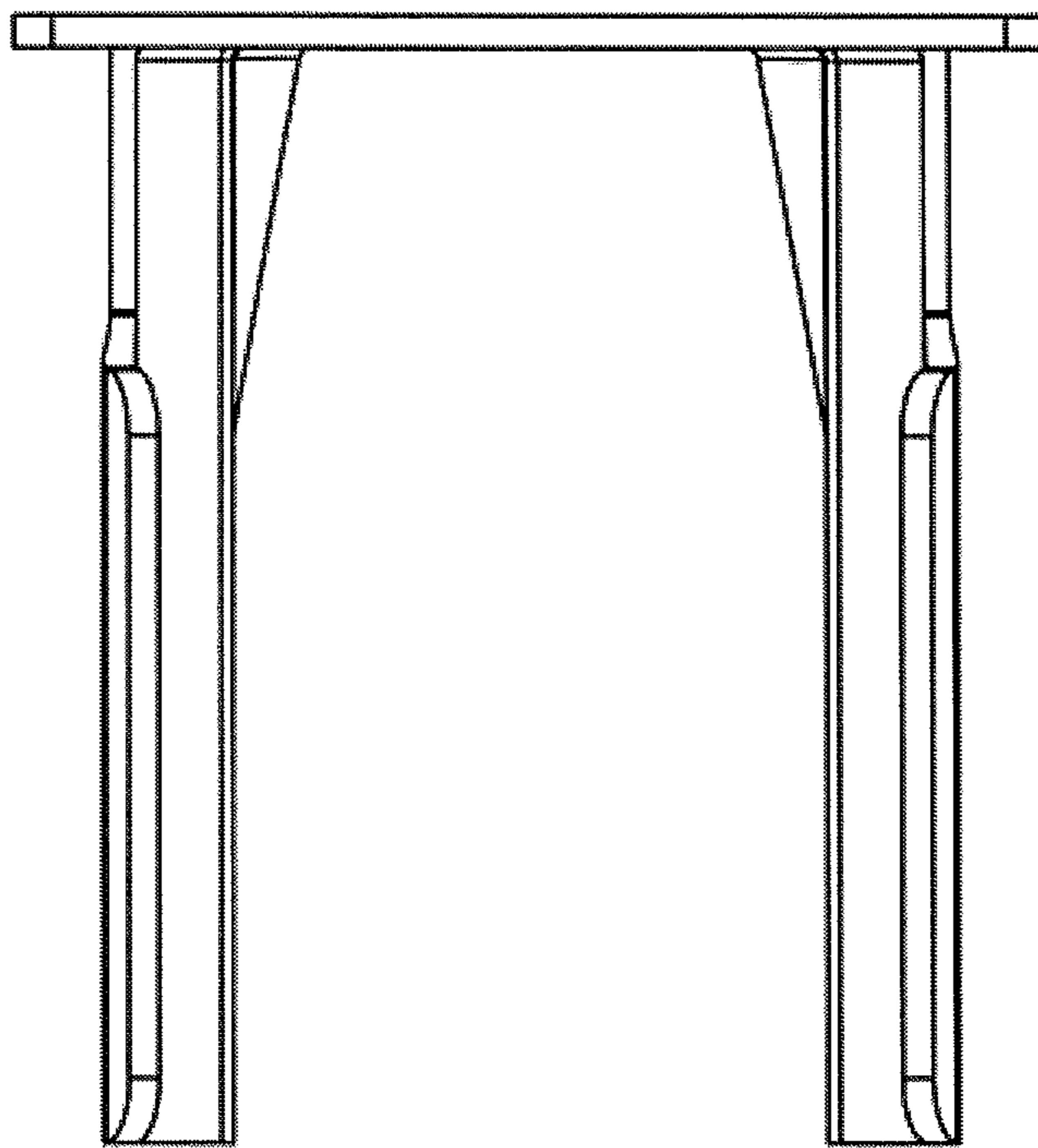


FIG. 8