



US00D939943S

(12) **United States Design Patent**
Uccellani

(10) **Patent No.:** **US D939,943 S**
(45) **Date of Patent:** **** Jan. 4, 2022**

(54) **RETRACTABLE HOSE REEL**
(71) Applicant: **MACNAUGHT PTY LTD**, Turrella (AU)
(72) Inventor: **Marco Uccellani**, Turrella (AU)
(73) Assignee: **MACNAUGHT PTY LTD**

D830,155 S * 10/2018 Kopp D8/358
D848,244 S * 5/2019 Gubbins D8/358
D850,242 S * 6/2019 Gubbins D8/358
D863,940 S * 10/2019 Ge D8/358
D863,941 S * 10/2019 Ge D8/358
D869,941 S * 12/2019 Exley D8/358
D889,944 S * 7/2020 De Biasi D8/358

(Continued)

(**) Term: **15 Years**

(21) Appl. No.: **29/681,668**

(22) Filed: **Feb. 27, 2019**

(30) **Foreign Application Priority Data**

Aug. 29, 2018 (AU) 201815190

(51) **LOC (13) Cl.** **08-05**

(52) **U.S. Cl.**
USPC **D8/358**

(58) **Field of Classification Search**
USPC D8/358–359, 360.1, 363, 356, 373, 375,
D8/380, 396; D10/72
CPC B65H 2701/34; B65H 2701/33; B65H
75/4471; B65H 2701/32; B65H 2701/332;
B65H 75/40; B65H 75/425; B65H
75/4481

See application file for complete search history.

(56) **References Cited**

U.S. PATENT DOCUMENTS

D377,447 S * 1/1997 Blye D8/358
D387,062 S * 12/1997 Heine D10/72
D415,998 S * 11/1999 Brown D13/154
D504,606 S * 5/2005 Kovacik D8/358
D511,294 S * 11/2005 Kovacik D8/358
D589,329 S * 3/2009 Plunk D8/358
D672,634 S * 12/2012 Phillips D8/358
D704,036 S * 5/2014 Fortier D8/358
D794,429 S * 8/2017 Wang D8/359
D813,653 S * 3/2018 Gubbins D8/358

OTHER PUBLICATIONS

Macnaught Retractable R3—YouTube, Date Visited: Jun. 1, 2021, Youtube, Date Available: Jul. 3, 2018, https://www.youtube.com/watch?v=pnWk7rT4P_w (Year: 2018).*

(Continued)

Primary Examiner — Susan Bennett Hattan

Assistant Examiner — Elizabeth S Ko

(74) *Attorney, Agent, or Firm* — K&L Gates LLP

(57) **CLAIM**

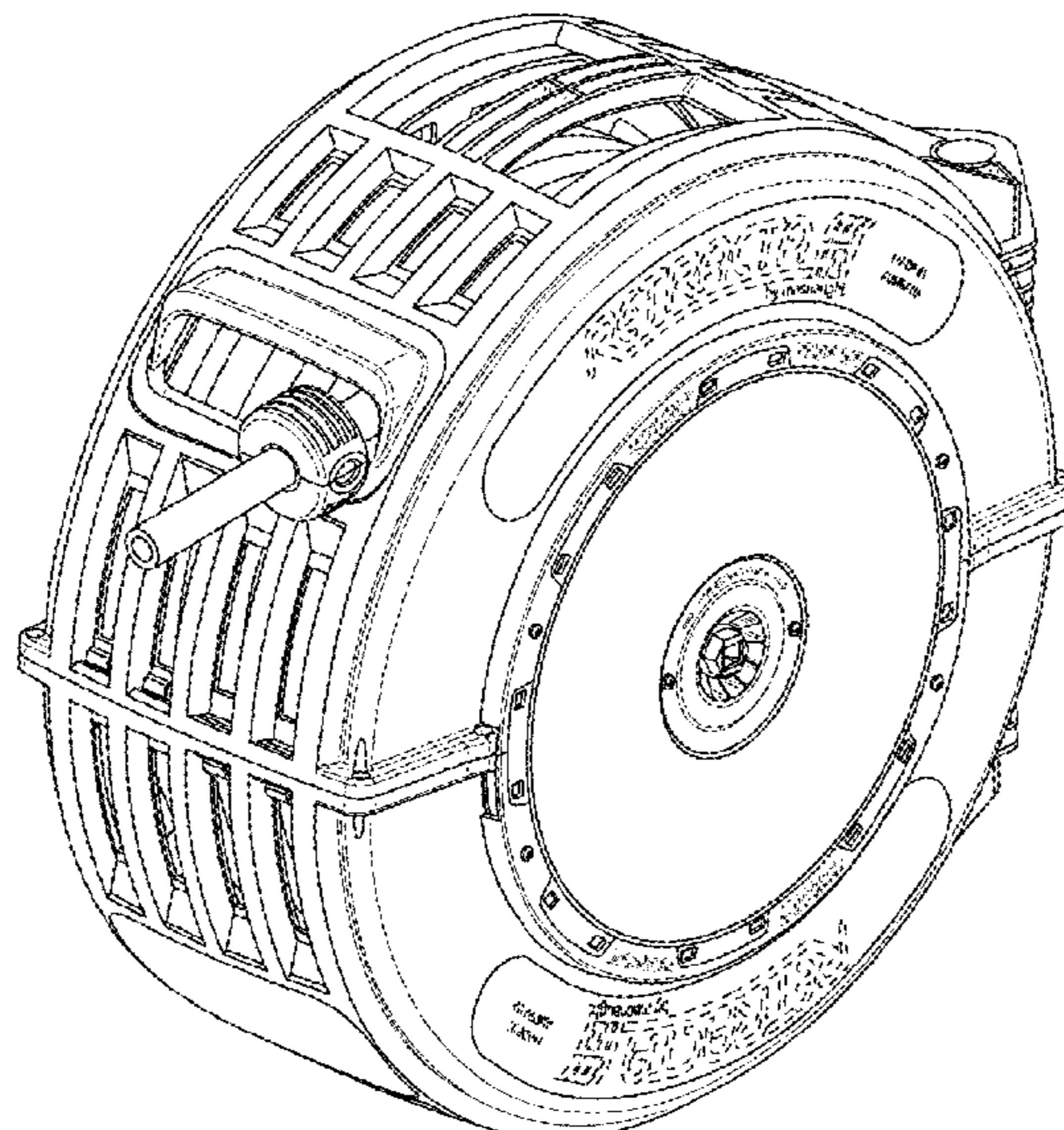
The ornamental design for a retractable hose reel, as shown and described.

DESCRIPTION

FIG. 1 illustrates a front perspective view of a retractable hose reel;
FIG. 2 illustrates a back perspective view thereof;
FIG. 3 illustrates a front elevational view thereof;
FIG. 4 illustrates a rear elevational view thereof;
FIG. 5 illustrates a left side elevational view thereof;
FIG. 6 illustrates a right side elevational view thereof;
FIG. 7 illustrates a top plan view thereof; and,
FIG. 8 illustrates a bottom plan view thereof.

The dashed broken lines depict portions of the retractable hose reel that form no part of the claim. The “RETRACTA” symbol is a registered trademark of Macnaught Pty Ltd (Registration Nos. 2797549, 5565245, 5659392, and 5659393) and forms no part of the claimed design.

1 Claim, 6 Drawing Sheets



(56)

References Cited

U.S. PATENT DOCUMENTS

D907,989 S * 1/2021 Wang D8/358
D915,870 S * 4/2021 Lyytikainen D8/358

OTHER PUBLICATIONS

Mp265-retractaflex-sell-sheet1_2020-02, Date Visited: May 27, 2021,
Retracta , Date Available: 2020, PDF (Year: 2020).*
Retracta hose reel, Date Visited: Jun. 1, 2021, Macnaught USA,
Date Available: Mar. 2019, <https://www.macnaughtusa.com/wp-content/uploads/2019/03/product-images2-06.png> (Year: 2019).*

* cited by examiner

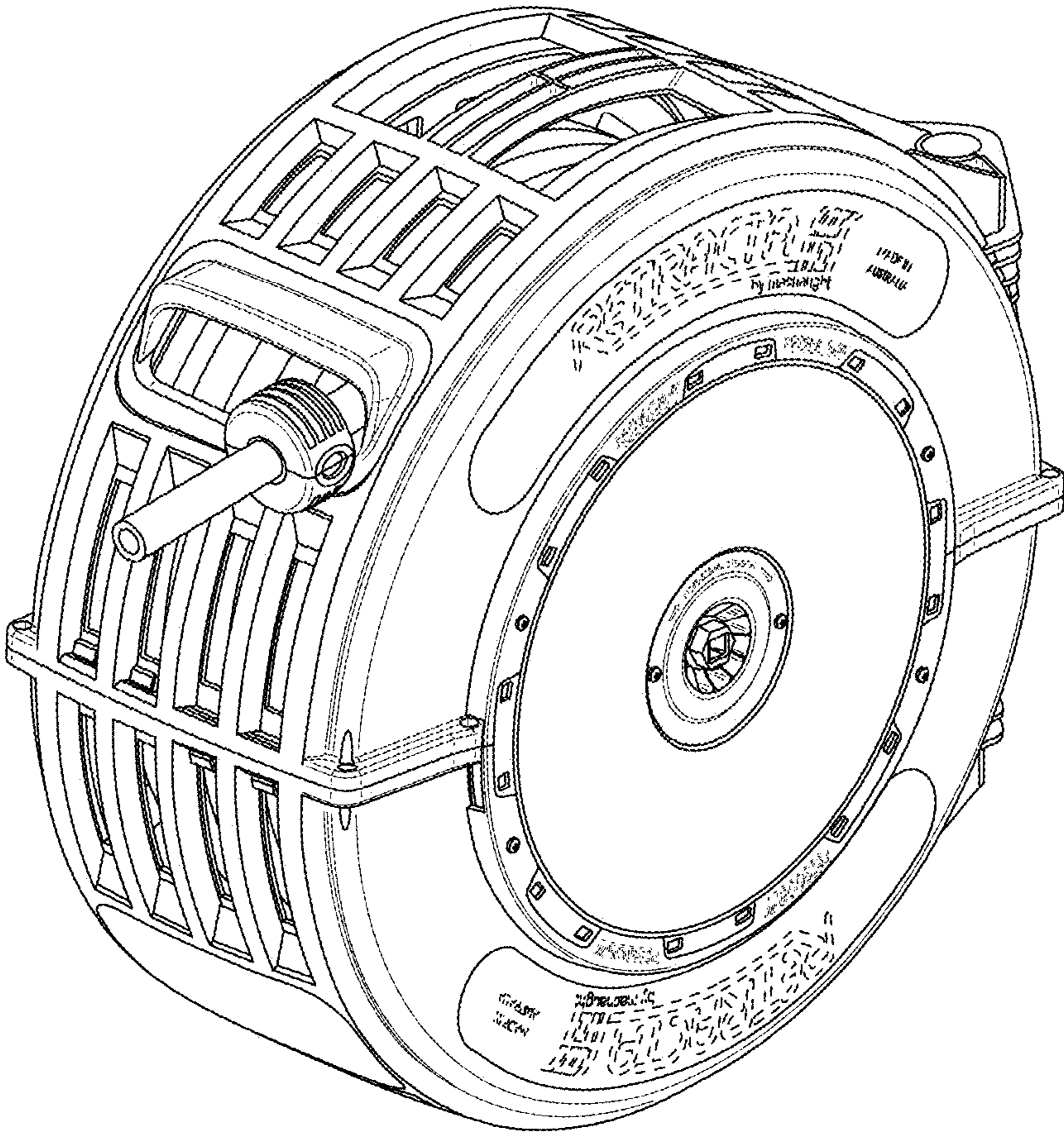


FIG. 1

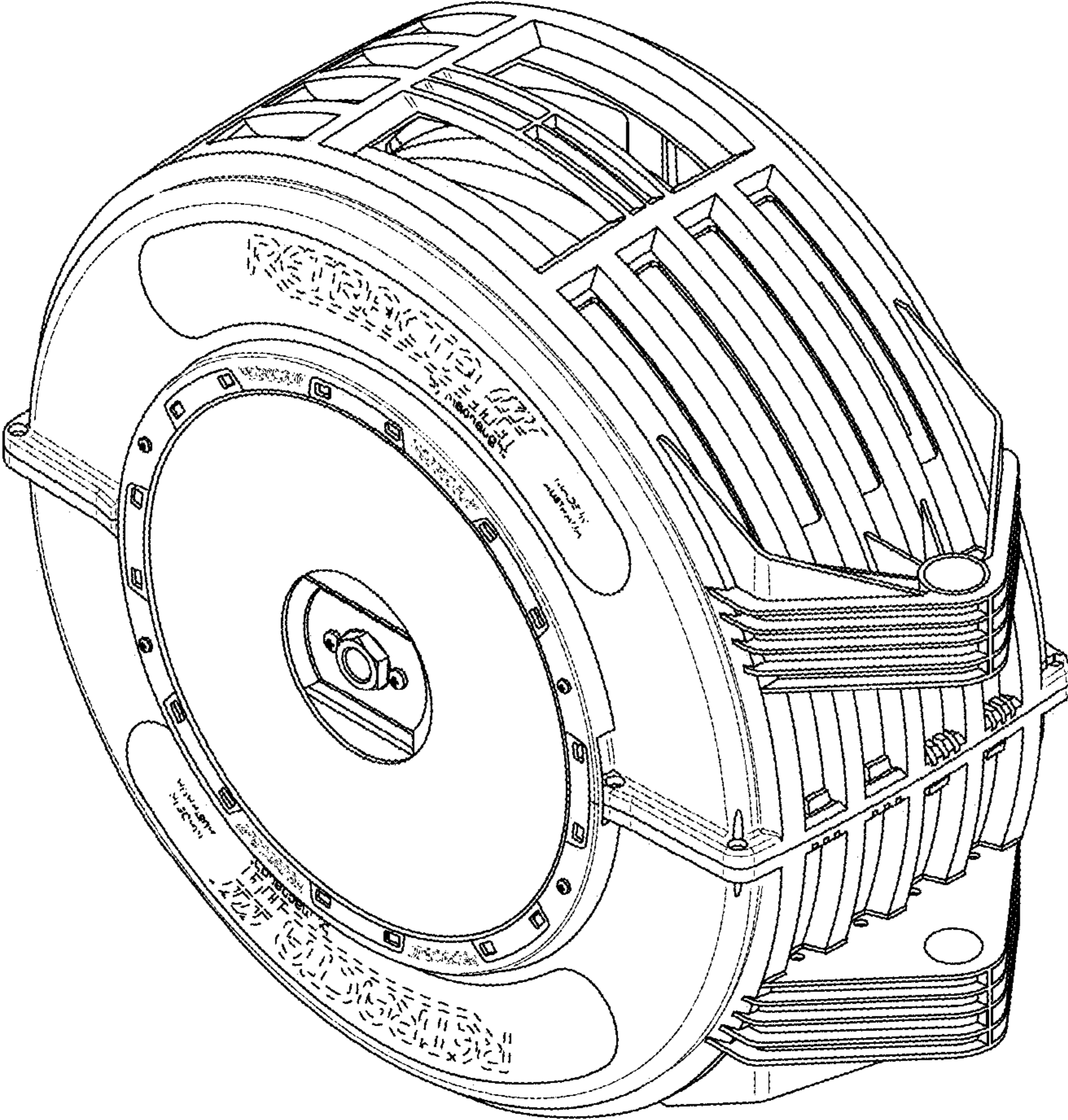


FIG. 2

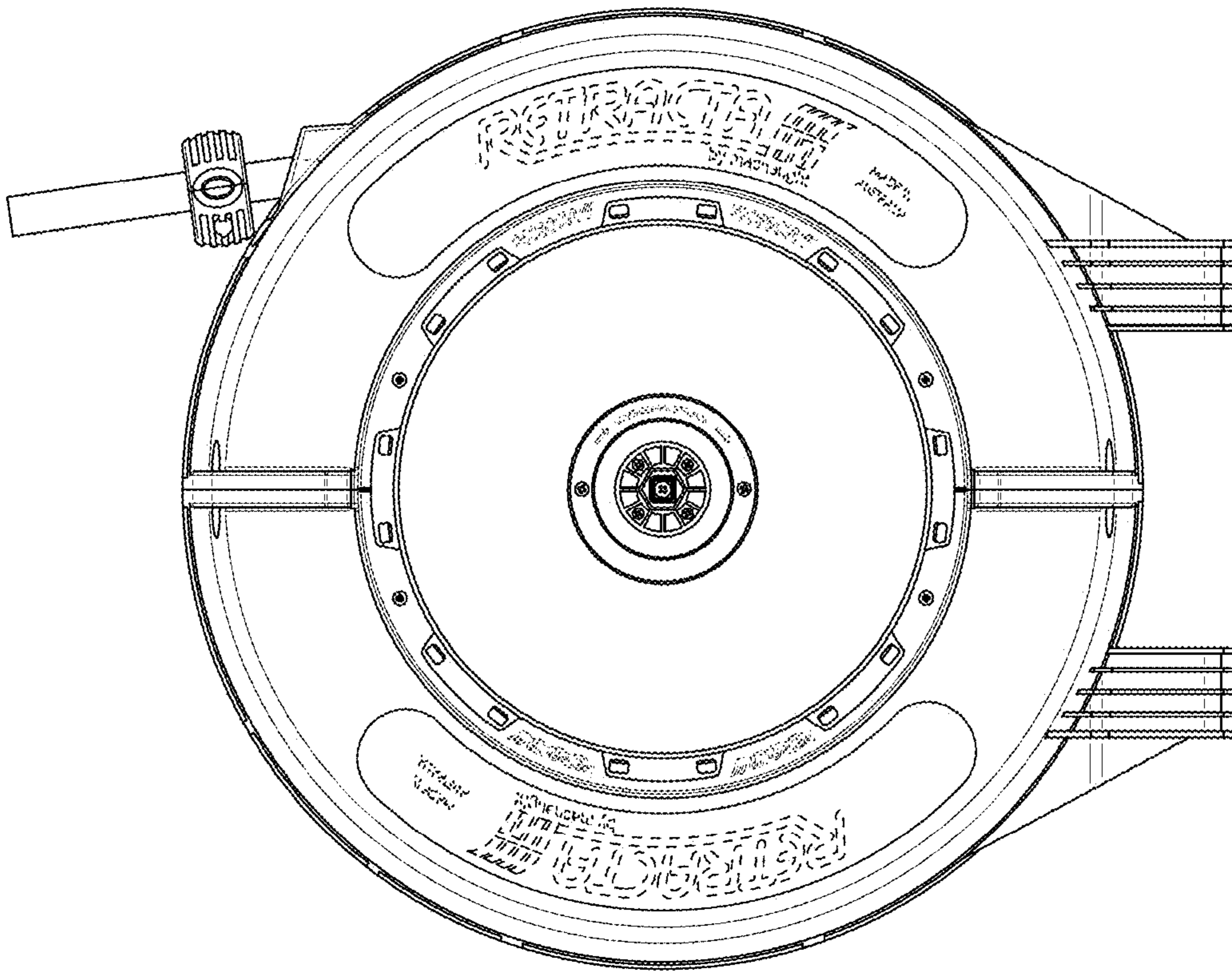


FIG. 3

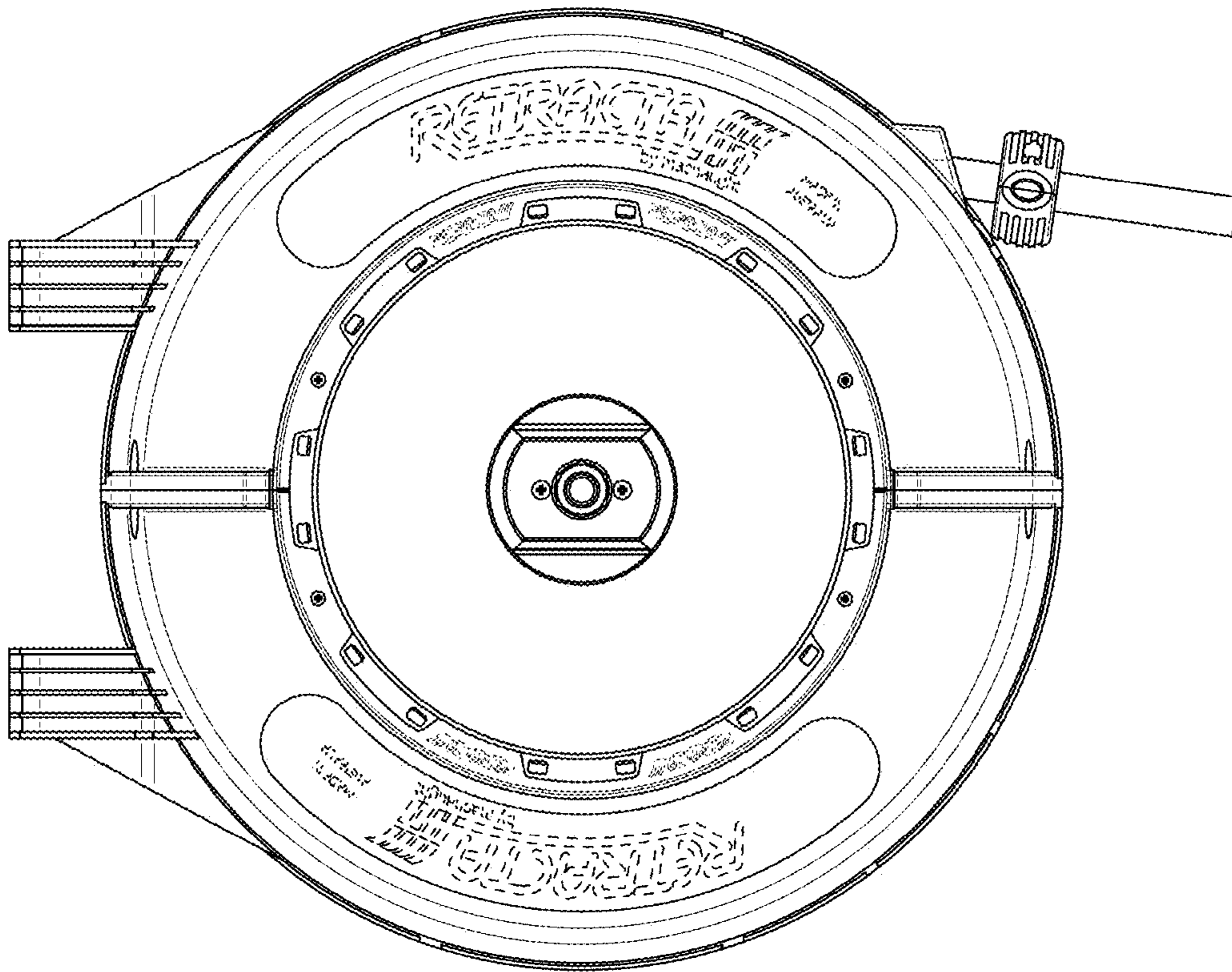


FIG. 4

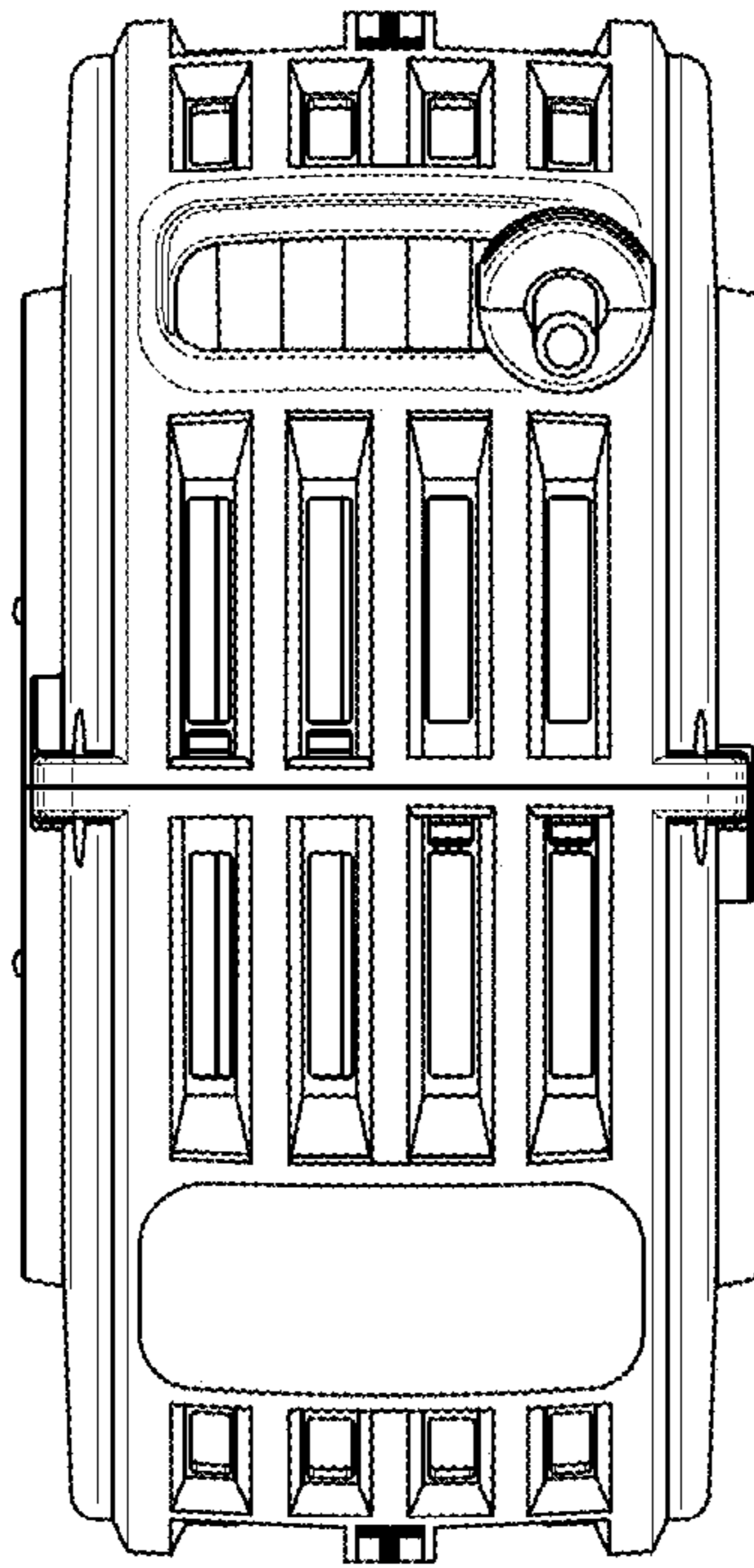


FIG. 5

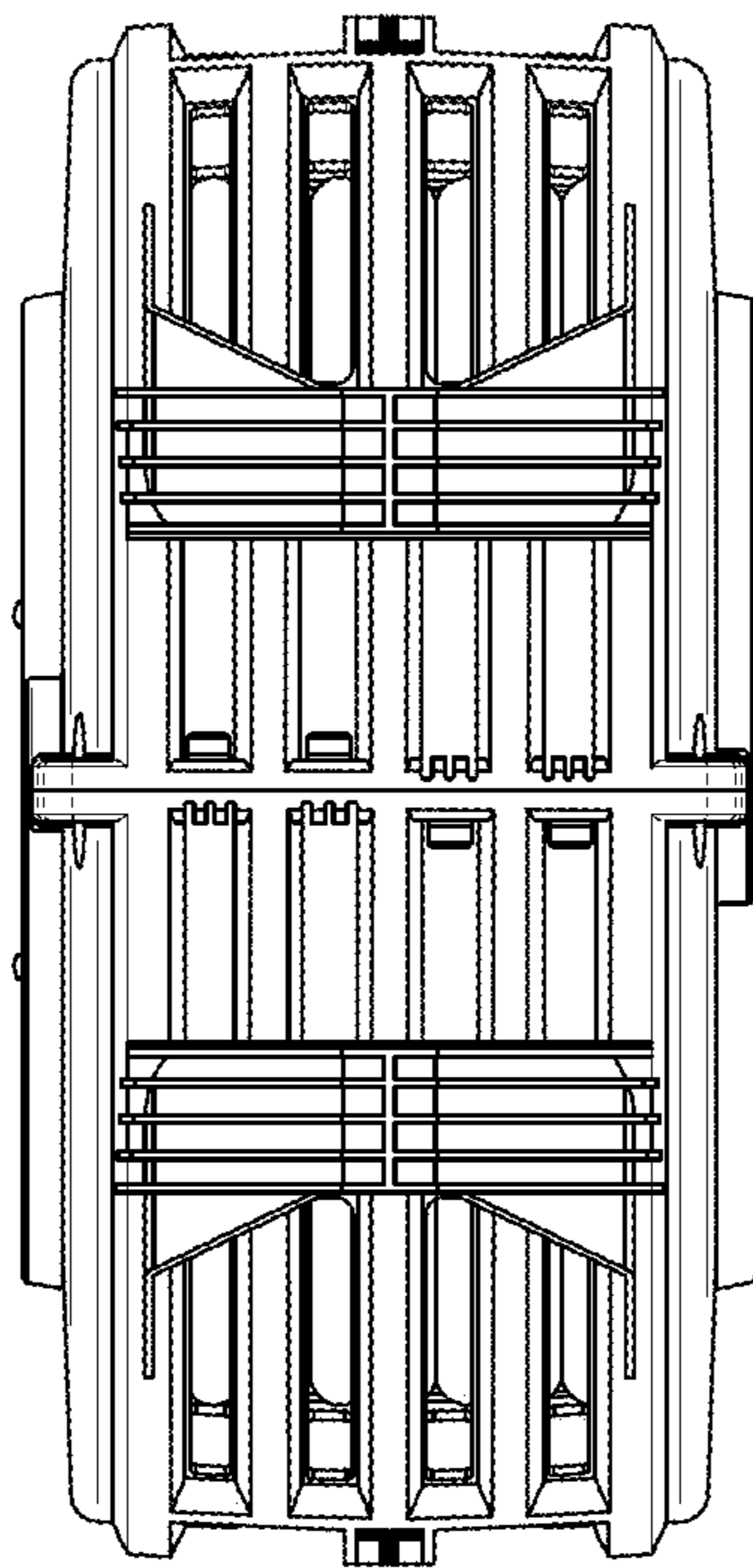


FIG. 6

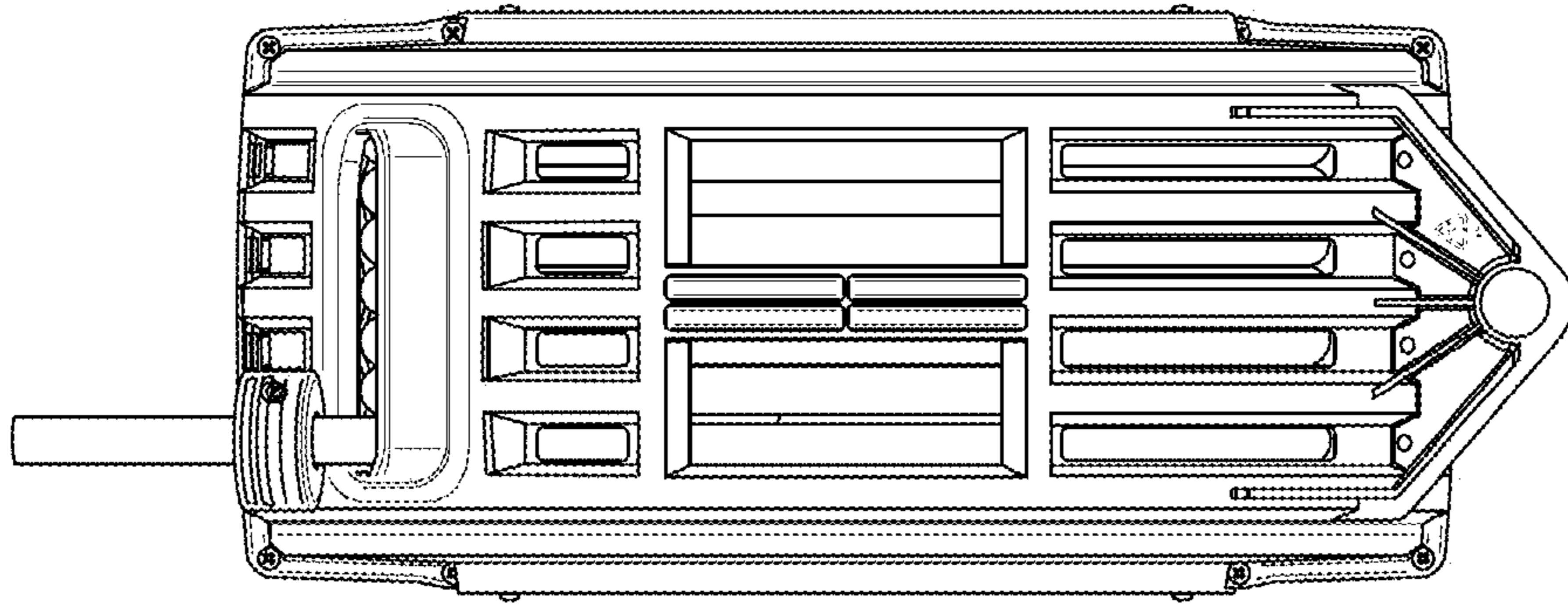


FIG. 7

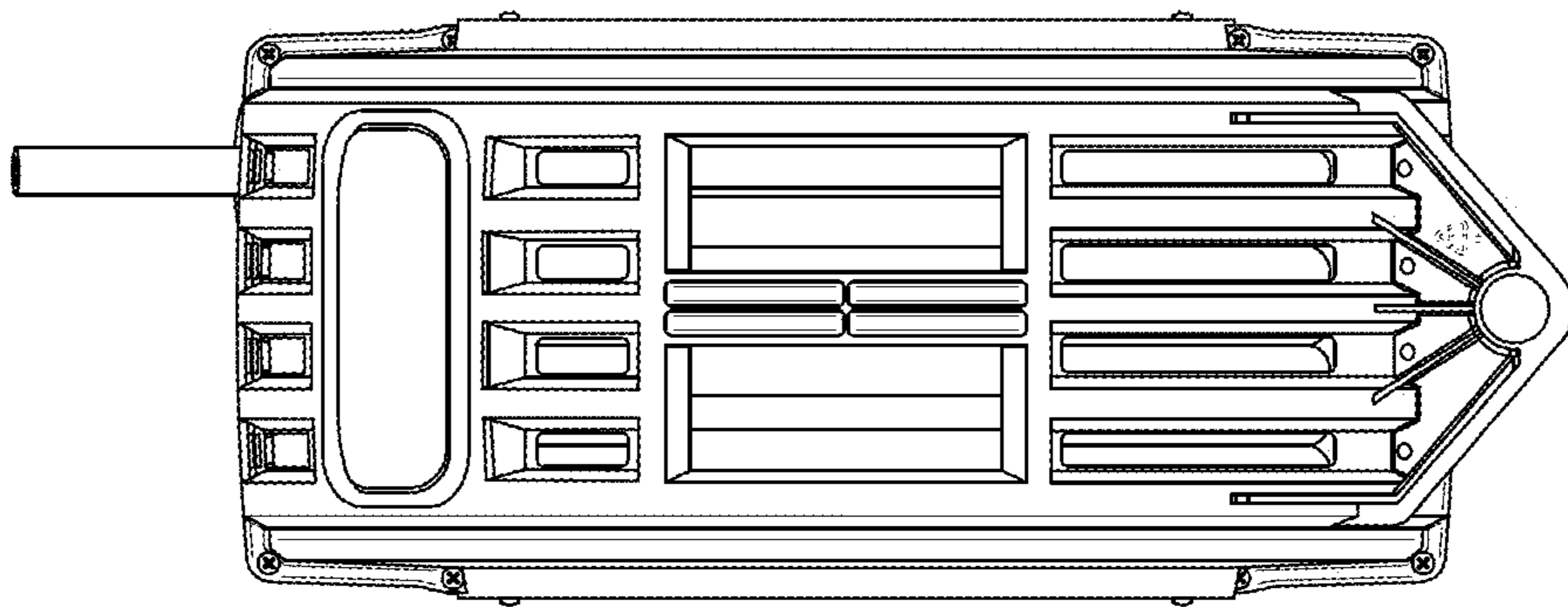


FIG. 8