



US00D939940S

(12) **United States Design Patent**
Martin et al.

(10) **Patent No.:** **US D939,940 S**
(45) **Date of Patent:** **** Jan. 4, 2022**

- (54) **WIRE SPOOL GUN**
- (71) Applicant: **Forney Industries, Inc.**, Fort Collins, CO (US)
- (72) Inventors: **Samuel Z. Martin**, Fort Collins, CO (US); **Jason T. Mahugh**, Windsor, CO (US); **James J. Legoza**, Fort Collins, CO (US)
- (73) Assignee: **Forney Industries, Inc.**, Fort Collins, CO (US)
- (**) Term: **15 Years**
- (21) Appl. No.: **29/712,545**
- (22) Filed: **Nov. 8, 2019**
- (51) **LOC (13) Cl.** **09-06**
- (52) **U.S. Cl.**
USPC **D8/356**
- (58) **Field of Classification Search**
USPC D8/356, 354, 349, 367, 394, 395, 396;
140/93.6, 119, 120
CPC B21F 15/04; B66D 1/7452; B60P 7/0846;
E04G 21/123
See application file for complete search history.

7,208,699 B2	4/2007	Stanzel	
7,299,829 B2 *	11/2007	Kim	E04G 21/122 140/119
7,999,209 B2	8/2011	Diekmann et al.	
8,546,728 B2	10/2013	Sickels	
8,569,654 B2	10/2013	Granato, Jr. et al.	
8,766,141 B2	7/2014	Stanzel et al.	
9,004,114 B2 *	4/2015	Kasahara	E04G 21/122 140/93.6
D736,603 S *	8/2015	Petzl	D8/356
9,272,357 B2	3/2016	Granato, Jr. et al.	
D779,926 S *	2/2017	Taylor	D8/356
D807,730 S *	1/2018	Wu	D8/356
D863,041 S *	10/2019	Short	D8/356
10,590,666 B2 *	3/2020	Itagaki	B21F 15/04

(Continued)

Primary Examiner — Cynthia R Underwood
(74) *Attorney, Agent, or Firm* — Holzer Patel Drennan

(57) **CLAIM**

We claim the ornamental design for the wire spool gun, as shown and described.

DESCRIPTION

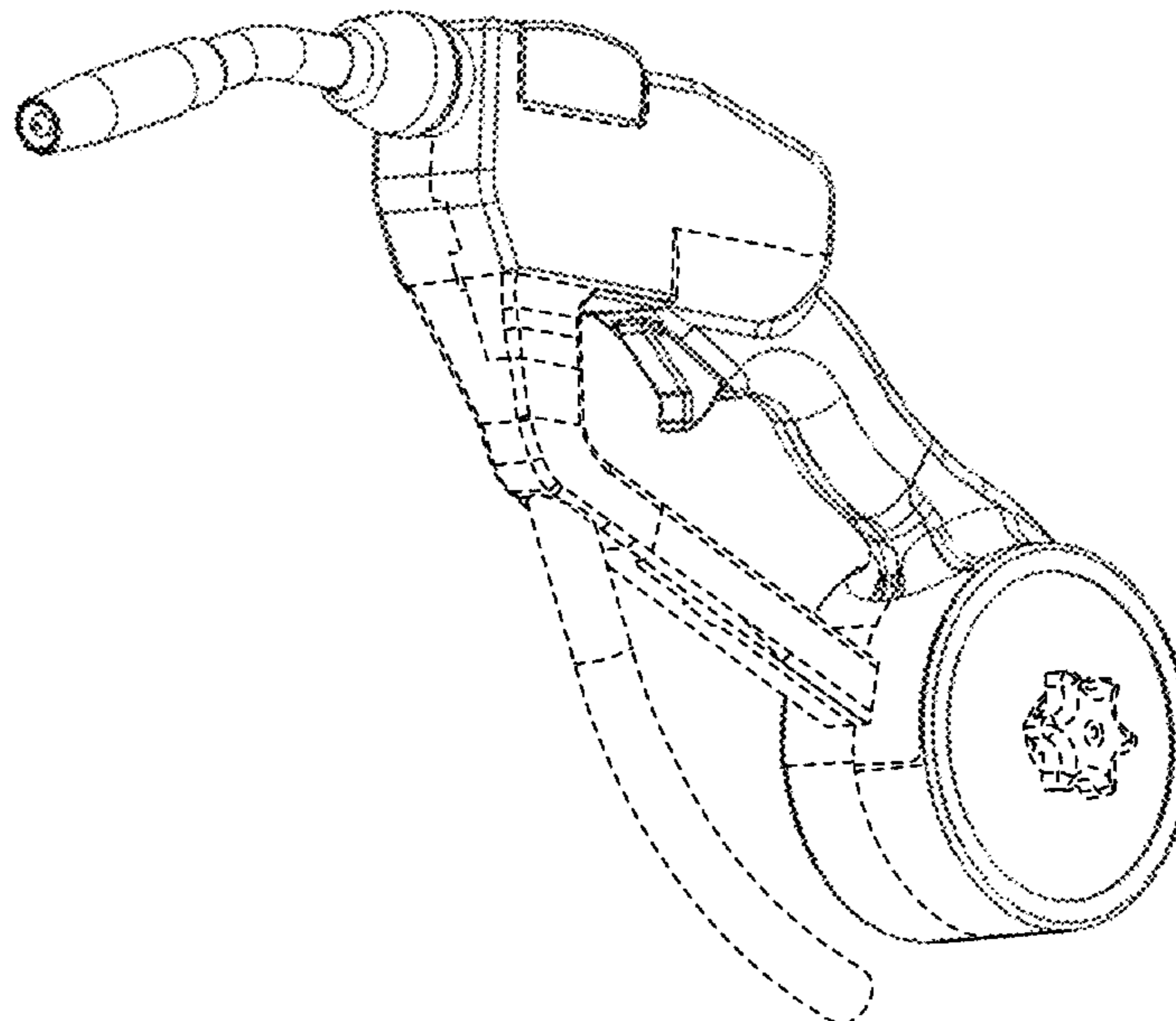
FIG. 1 is a front-left side perspective view of a wire spool gun showing our new design.
 FIG. 2 is a back-left side perspective view of the wire spool gun.
 FIG. 3 is a back-right side perspective view of the wire spool gun.
 FIG. 4 is a top plan view of the wire spool gun.
 FIG. 5 is a bottom plan view of the wire spool gun.
 FIG. 6 is a left side elevation view of the of the wire spool gun
 FIG. 7 is a right side elevation view of the wire spool gun.
 FIG. 8 is a front elevation view of the wire spool gun; and,
 FIG. 9 is a back elevation view of the wire spool gun.
 The broken lines in the figures are for illustrative purposes only and are not part of the claimed design.

1 Claim, 9 Drawing Sheets

(56) **References Cited**

U.S. PATENT DOCUMENTS

D176,570 S *	1/1956	Taylor	D8/356
3,211,187 A *	10/1965	Paule	E04G 21/123 140/119
5,613,530 A *	3/1997	Kincel	B21F 15/04 140/119
D379,008 S	4/1997	Constantine et al.	
5,682,927 A *	11/1997	Takahashi	B65B 27/10 140/119
5,842,506 A *	12/1998	Peters	E04G 21/123 140/119



(56)

References Cited

U.S. PATENT DOCUMENTS

11,103,915	B2 *	8/2021	Bastoni	B21F 15/04
2006/0022104	A1 *	2/2006	Treat	B60P 7/0846
				248/300
2013/0270498	A1 *	10/2013	Burneister	B66D 1/7452
				254/266
2015/0107066	A1 *	4/2015	Lu	B60P 7/0846
				24/69 ST
2015/0117975	A1 *	4/2015	Wright	B60P 7/0846
				410/103

* cited by examiner

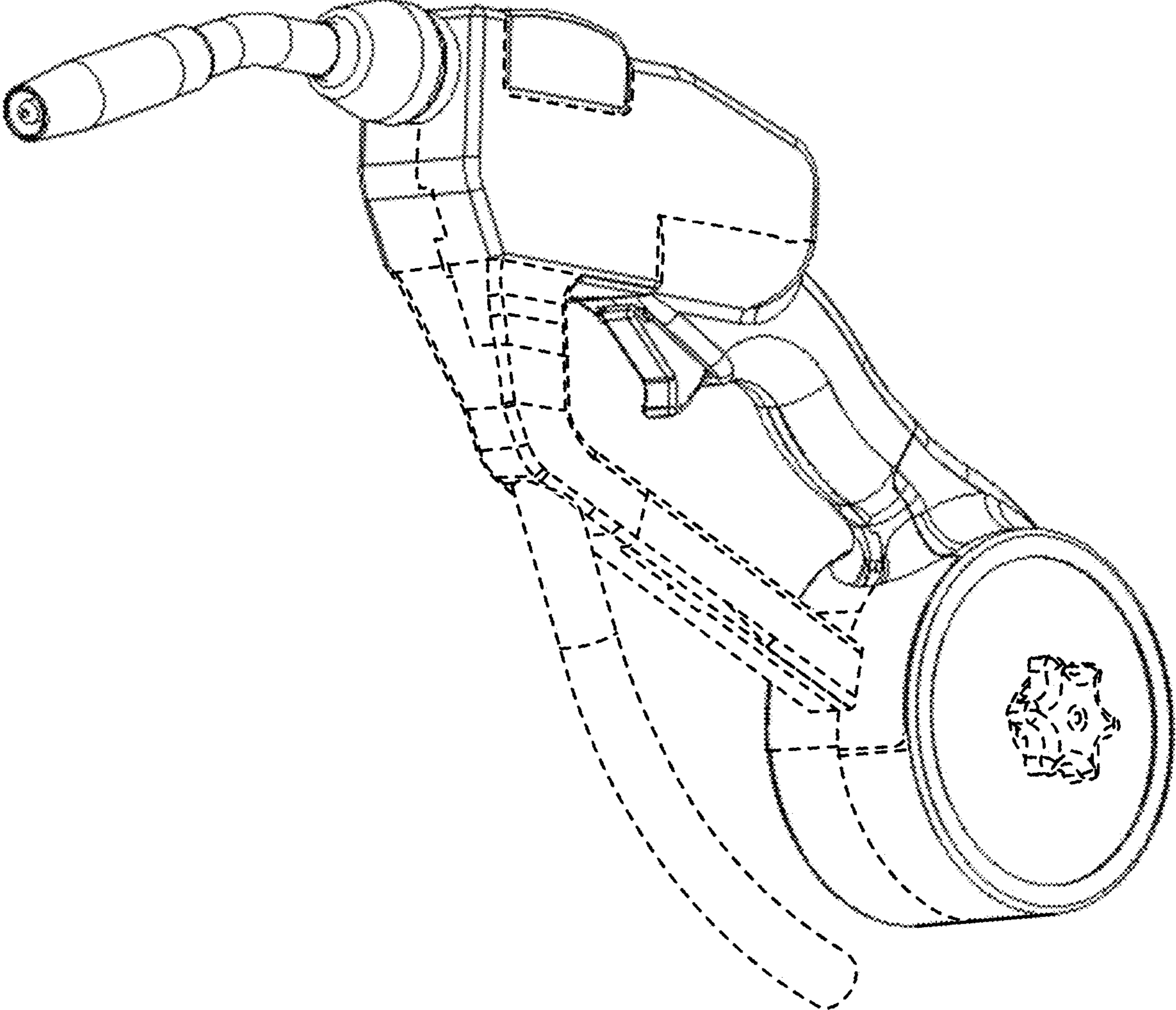


FIG. 1

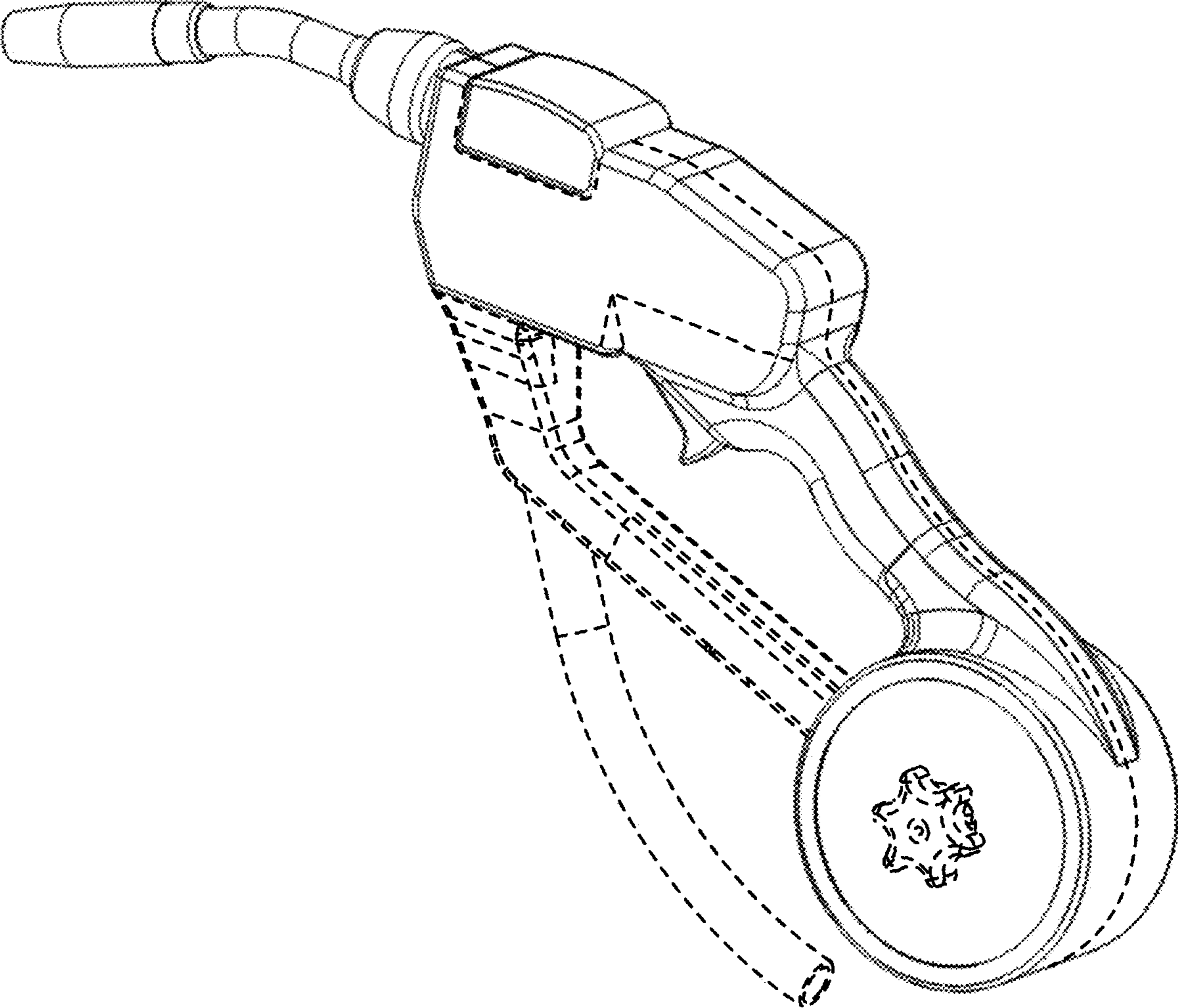


FIG. 2

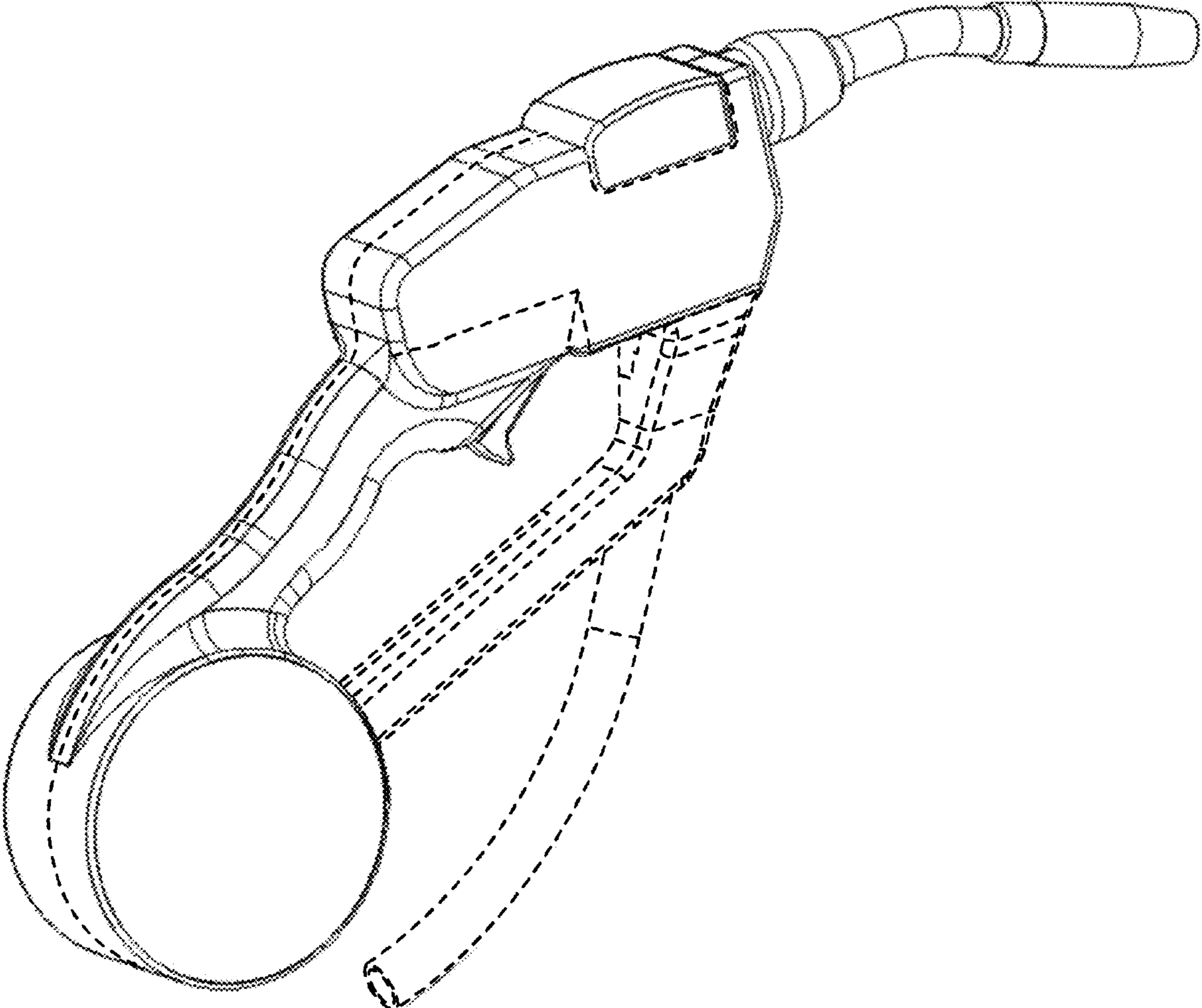


FIG. 3

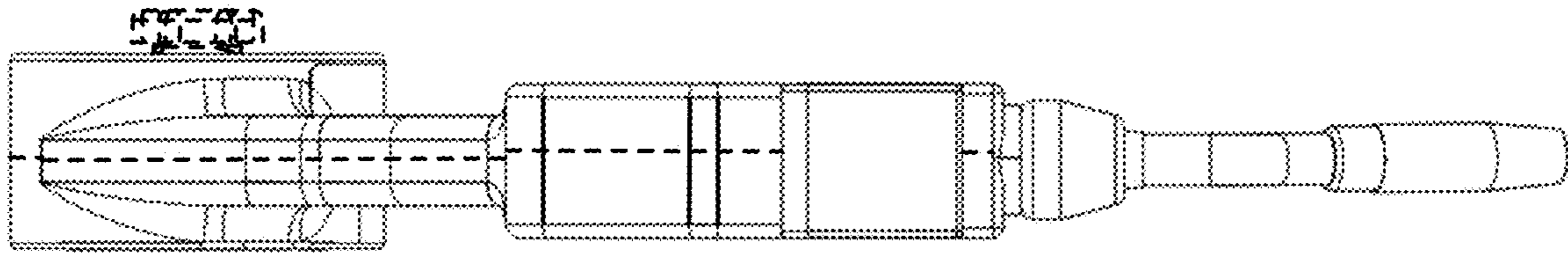


FIG. 4

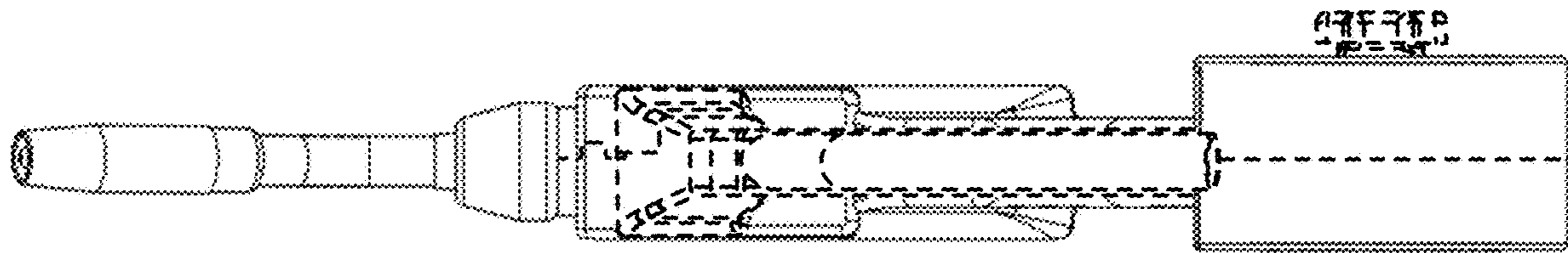


FIG. 5

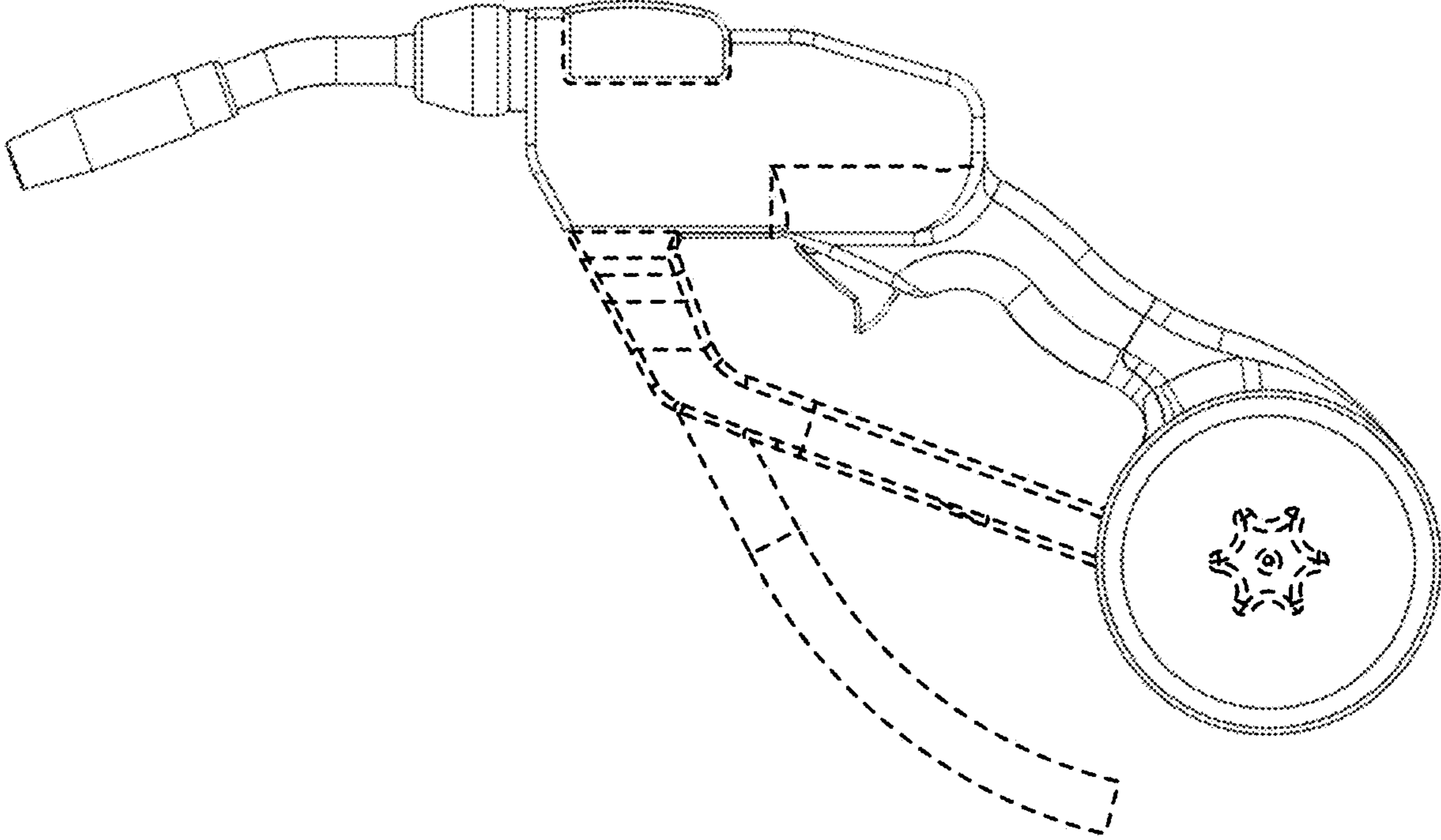


FIG. 6

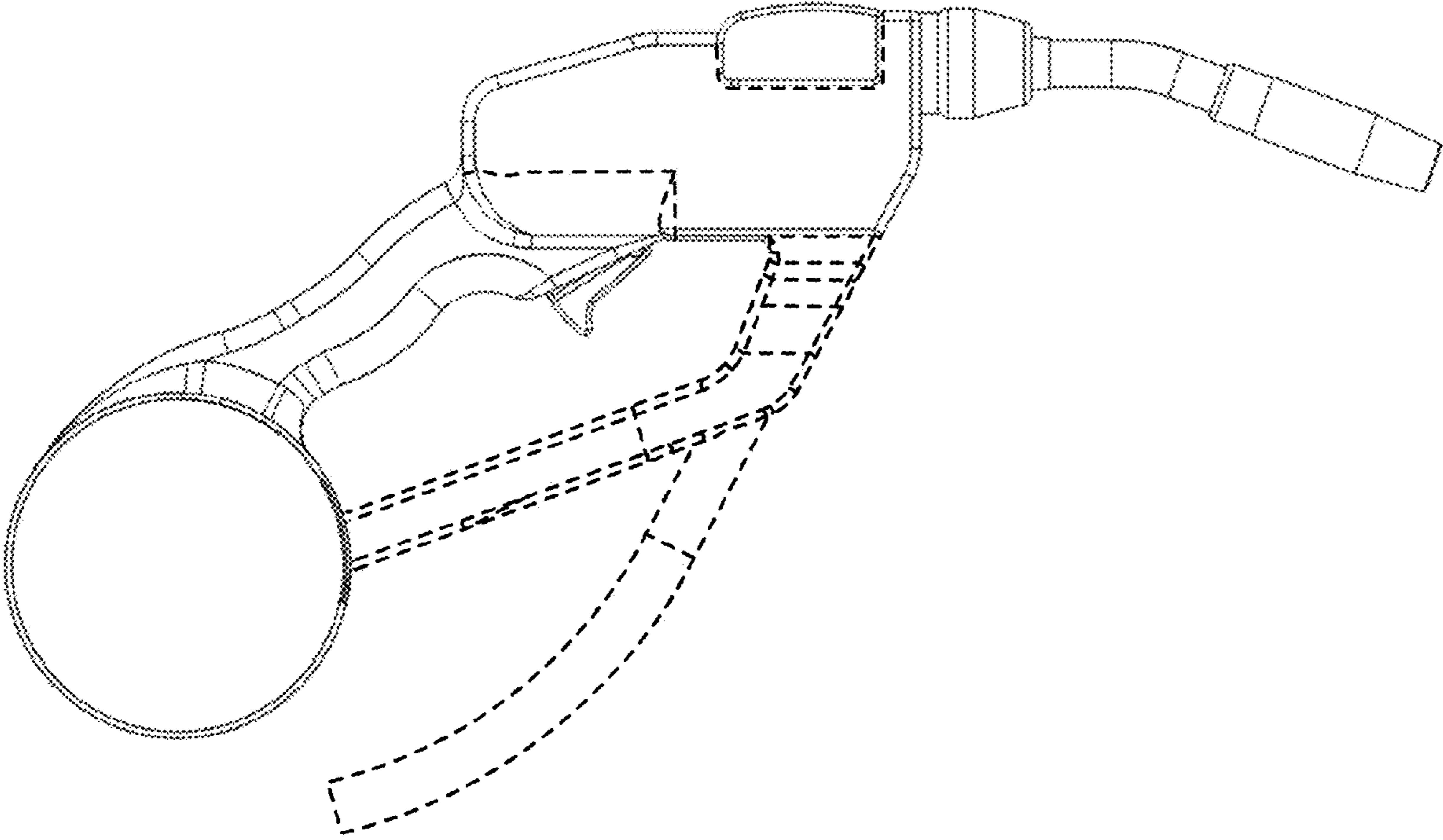


FIG. 7

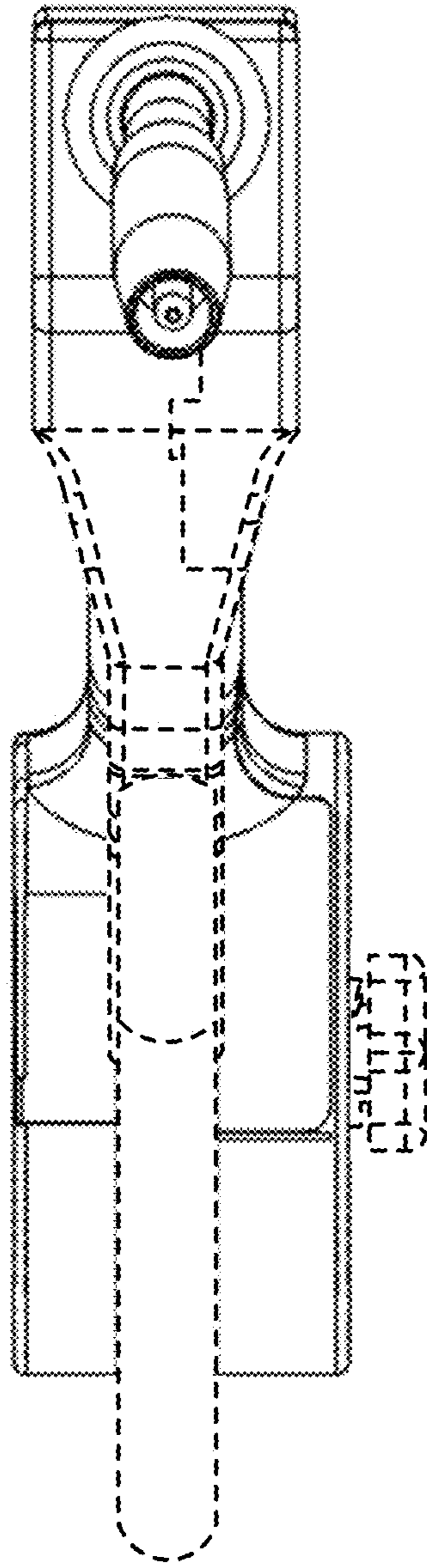


FIG. 8

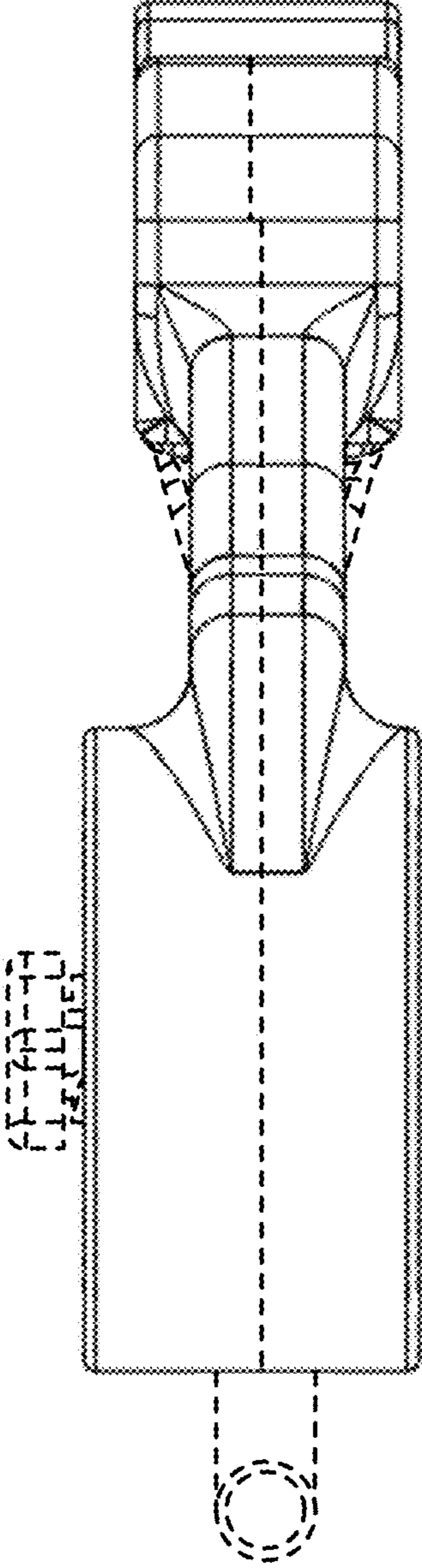


FIG. 9