



US00D939938S

(12) **United States Design Patent**  
**Novotny et al.**

(10) **Patent No.:** **US D939,938 S**  
(45) **Date of Patent:** **\*\* Jan. 4, 2022**

- (54) **FALL PROTECTION SLEEVE**
- (71) Applicant: **Honeywell International Inc.**, Morris Plains, NJ (US)
- (72) Inventors: **Josef Novotny**, Kuncina (CZ); **Viliam Gdovec**, Šlapanice (CZ); **Markéta Audyová**, Brno (CZ); **Scott Hugh Bradford**, Scotland (GB)
- (73) Assignee: **HONEYWELL INTERNATIONAL INC.**, Morris Plains, NJ (US)
- (\*\*) Term: **15 Years**
- (21) Appl. No.: **29/711,712**
- (22) Filed: **Nov. 1, 2019**
- (51) **LOC (13) Cl.** ..... **09-06**
- (52) **U.S. Cl.**  
USPC ..... **D8/356**
- (58) **Field of Classification Search**  
USPC ..... D8/356, 394, 395, 396; 248/74.1, 74.2, 248/74.3, 74.4  
CPC .. A62B 1/14; F16B 2/08; B60R 22/24; A44B 11/04; A44B 6/00  
See application file for complete search history.

- D744,320 S \* 12/2015 Parrish ..... F16B 2/08 D8/356
  - D775,514 S \* 1/2017 Muhlenkamp, IV ..... D8/356
  - D814,273 S \* 4/2018 Karpanty ..... D8/356
  - D843,887 S \* 3/2019 Frost ..... D11/218
- (Continued)

**FOREIGN PATENT DOCUMENTS**

- EP 1452206 B1 9/2007
  - EP 3369460 A1 9/2018
- (Continued)

**OTHER PUBLICATIONS**

Extended European Search Report issued in European Application No. 20202160.6 dated Mar. 30, 2021, 10 pages.  
(Continued)

*Primary Examiner* — Cynthia R Underwood  
(74) *Attorney, Agent, or Firm* — Alston & Bird LLP

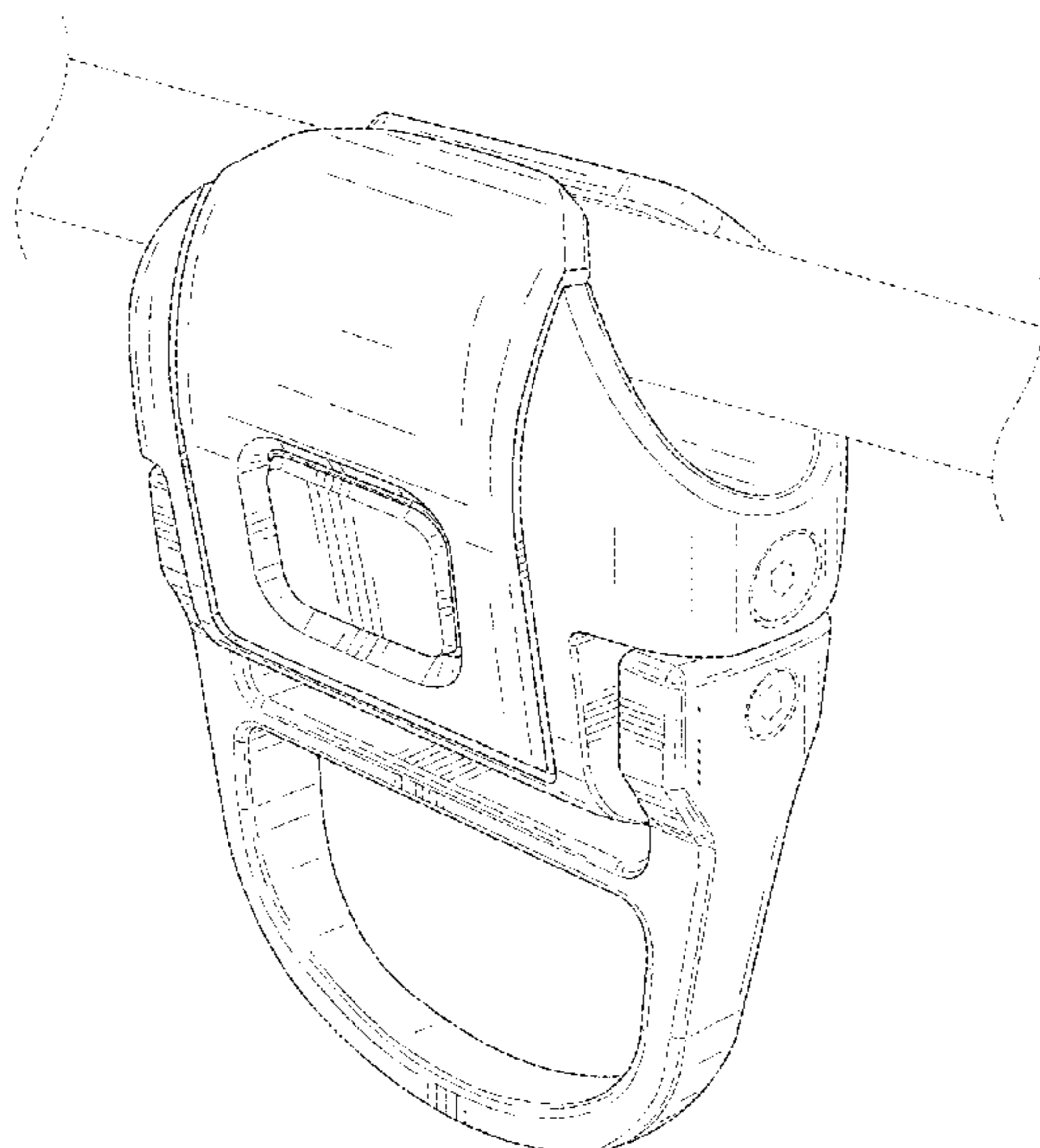
(57) **CLAIM**  
We claim the ornamental design for a fall protection sleeve, as shown and described.

**DESCRIPTION**

FIG. 1 is a first perspective view of a fall protection sleeve showing our new design;  
FIG. 2 is a second perspective view thereof;  
FIG. 3 is a front elevation view thereof;  
FIG. 4 is a rear elevation view thereof;  
FIG. 5 is a right side elevation view thereof;  
FIG. 6 is a left side elevation view thereof;  
FIG. 7 is a top plan view thereof;  
FIG. 8 is a bottom plan view thereof; and,  
FIG. 9 is another perspective view thereof, shown attached to a cable.  
The broken lines adjacent shaded areas depict boundaries of the claim and form no part of the claimed design. All other broken lines illustrate unclaimed portions of the fall protection sleeve and form no part of the claimed design.

**1 Claim, 8 Drawing Sheets**

- (56) **References Cited**  
**U.S. PATENT DOCUMENTS**  
4,005,904 A \* 2/1977 Weman ..... B60R 22/24 297/483  
4,034,828 A \* 7/1977 Rose ..... A62B 1/14 182/5  
D355,583 S \* 2/1995 Beauchane ..... D8/356  
D357,435 S \* 4/1995 Cook ..... D11/200  
D361,665 S \* 8/1995 Izumi ..... D3/318  
6,467,574 B2 10/2002 Pascal  
D512,307 S \* 12/2005 Ahrens ..... D9/434  
D741,701 S \* 10/2015 McNeil ..... D8/396



(56)

**References Cited**

U.S. PATENT DOCUMENTS

D874,556 S \* 2/2020 Hanudel ..... D16/339  
 D875,507 S \* 2/2020 Petzl ..... D8/356  
 D911,153 S \* 2/2021 Auston ..... D8/356  
 D924,468 S \* 7/2021 Huang ..... D26/138  
 D926,022 S \* 7/2021 Luhrmann ..... D8/356  
 D928,032 S \* 8/2021 Okumu ..... A44B 6/00  
 D11/202  
 2002/0050421 A1 5/2002 Pascal  
 2014/0304898 A1\* 10/2014 Bachtold ..... A44B 11/04  
 2/336  
 2016/0310767 A1\* 10/2016 Resch ..... A63B 69/0048  
 2020/0121962 A1\* 4/2020 Saunders ..... A62B 1/14

FOREIGN PATENT DOCUMENTS

GB 2389386 A 12/2003  
 WO 2009/133361 A1 11/2009

OTHER PUBLICATIONS

Honeywell Miller Söll Xenon Fall Arrester, [online], retrieved Feb. 7, 2020], retrieved from the Internet <URL: <https://safety.honeywell.com/en-us/products/by-category/fall-protection/horizontal-lifeline-systems/miller-xenon-permanent-horizontal-lifeline-kits>, 3 pages.  
 Honeywell Miller Söll Xenon Fall Arrester, [online], retrieved Feb. 7, 2020], retrieved from the Internet <URL: <https://www.>

[honeywellsafety.com/assets/0/324/936/5f9f7a6e-e9c6-4a8f-a7a2-866a4a81c865.jpg](https://www.honeywellsafety.com/assets/0/324/936/5f9f7a6e-e9c6-4a8f-a7a2-866a4a81c865.jpg), 1 page.  
 Honeywell Miller Xenon™ Permanent Horizontal Lifeline Kits, [online], retrieved Feb. 7, 2020], retrieved from the Internet <URL: <https://www.honeywellsafety.com/assets/0/324/936/5f9f7a6e-e9c6-4a8f-a7a2-866a4a81c865.jpg>, 1 page.  
 Honeywell Miller Xenon™ Permanent Horizontal Lifeline Kits, [online], retrieved Feb. 7, 2020], retrieved from the Internet <URL: <https://safety.honeywell.com/en-us/products/by-category/fall-protection/horizontal-lifeline-systems/miller-xenon-permanent-horizontal-lifeline-kits>, 3 pages.  
 Honeywell Miller Xenon™ Permanent Horizontal Lifeline Kits, [online], retrieved Feb. 7, 2020], retrieved from the Internet <URL: <http://salcouruguay.com/wp-content/uploads/2015/12/WIRE-MILLER-XENON-LIFELINE.jpg>, 1 page.  
 Honeywell Miller Xenon™ Permanent Horizontal Lifeline Kits, [online], retrieved Feb. 7, 2020], retrieved from the Internet <URL: [https://safety.honeywell.com/content/dam/his-sandbox/products/fall-protection/images/NP\\_item43030\\_X00120.jpg](https://safety.honeywell.com/content/dam/his-sandbox/products/fall-protection/images/NP_item43030_X00120.jpg), 1 page.  
 Honeywell Miller Xenon™ Permanent Horizontal Lifeline Kits, [online], retrieved Feb. 7, 2020], retrieved from the Internet <URL: [https://www.honeywellsafety.com/Products/Fall\\_Protection/Miller\\_S%C3%B6ll\\_Xenon%C2%AE\\_2\\_0\\_HLL\\_\(AUS/NZ\).aspx?site=au](https://www.honeywellsafety.com/Products/Fall_Protection/Miller_S%C3%B6ll_Xenon%C2%AE_2_0_HLL_(AUS/NZ).aspx?site=au), 3 pages.  
 Honeywell Miller Xenon™ Permanent Horizontal Lifeline Kits, [online], retrieved Feb. 7, 2020], retrieved from the Internet <URL: <https://www.nsafe.com/horizontallifelines.html>, 3 pages.

\* cited by examiner

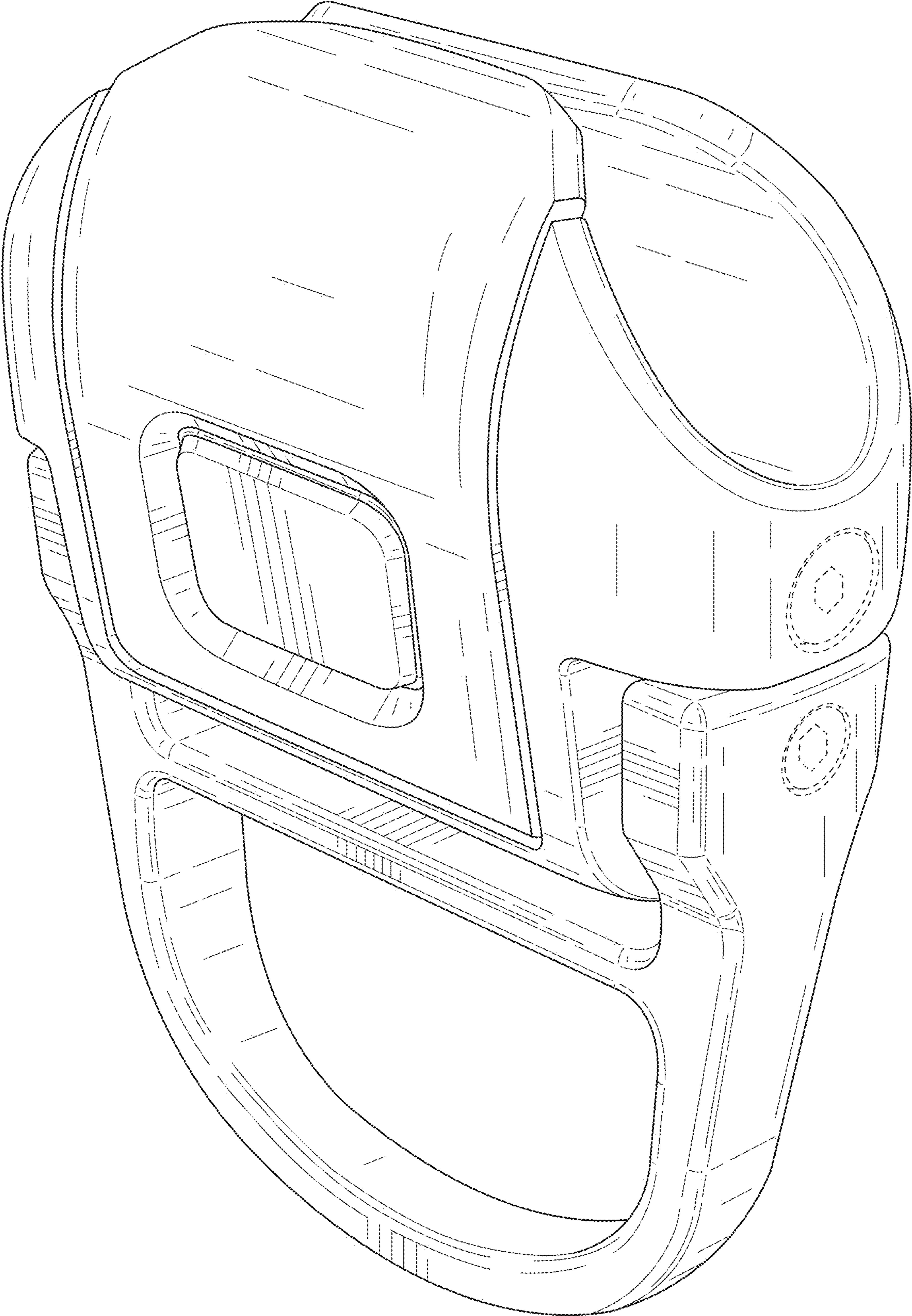


FIG. 1



FIG. 2

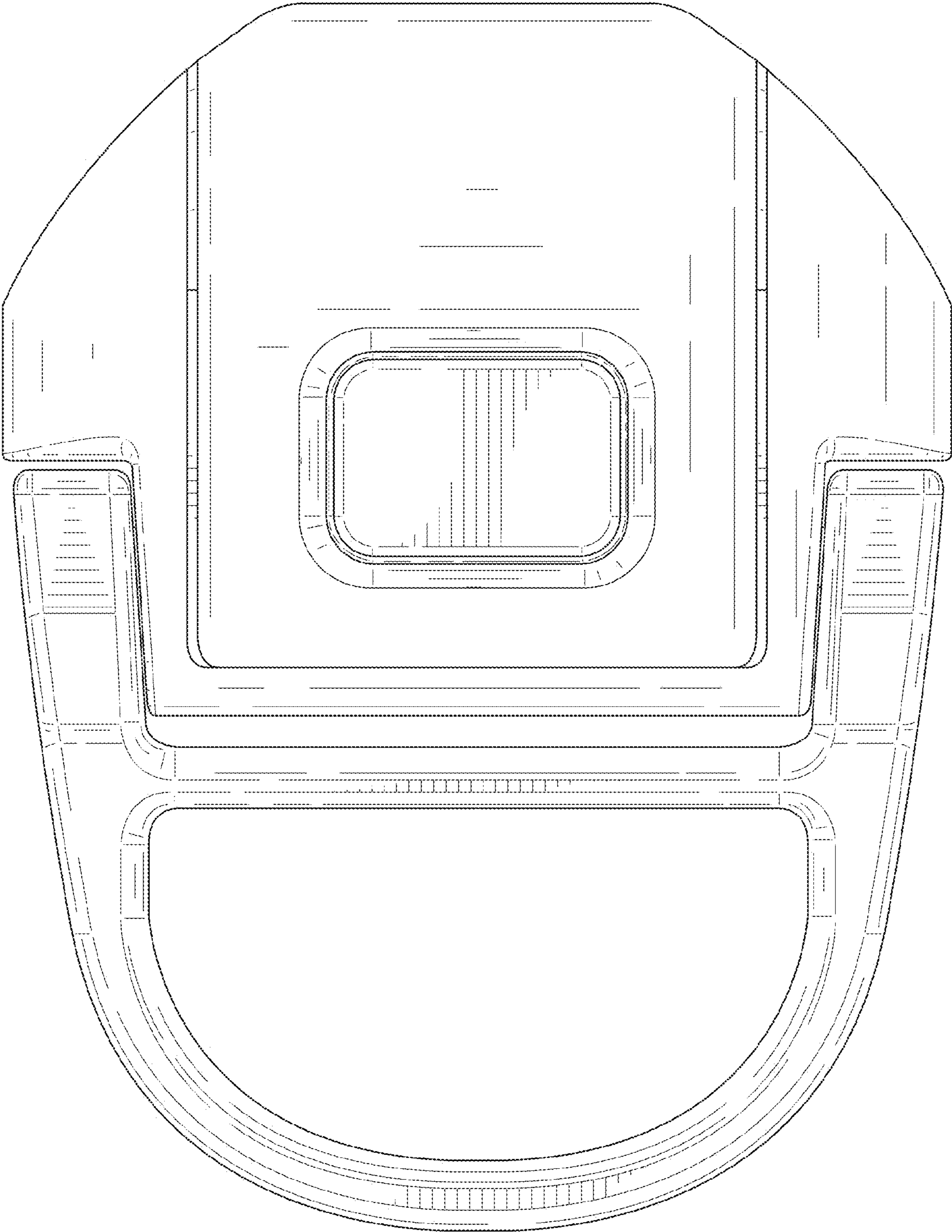


FIG. 3

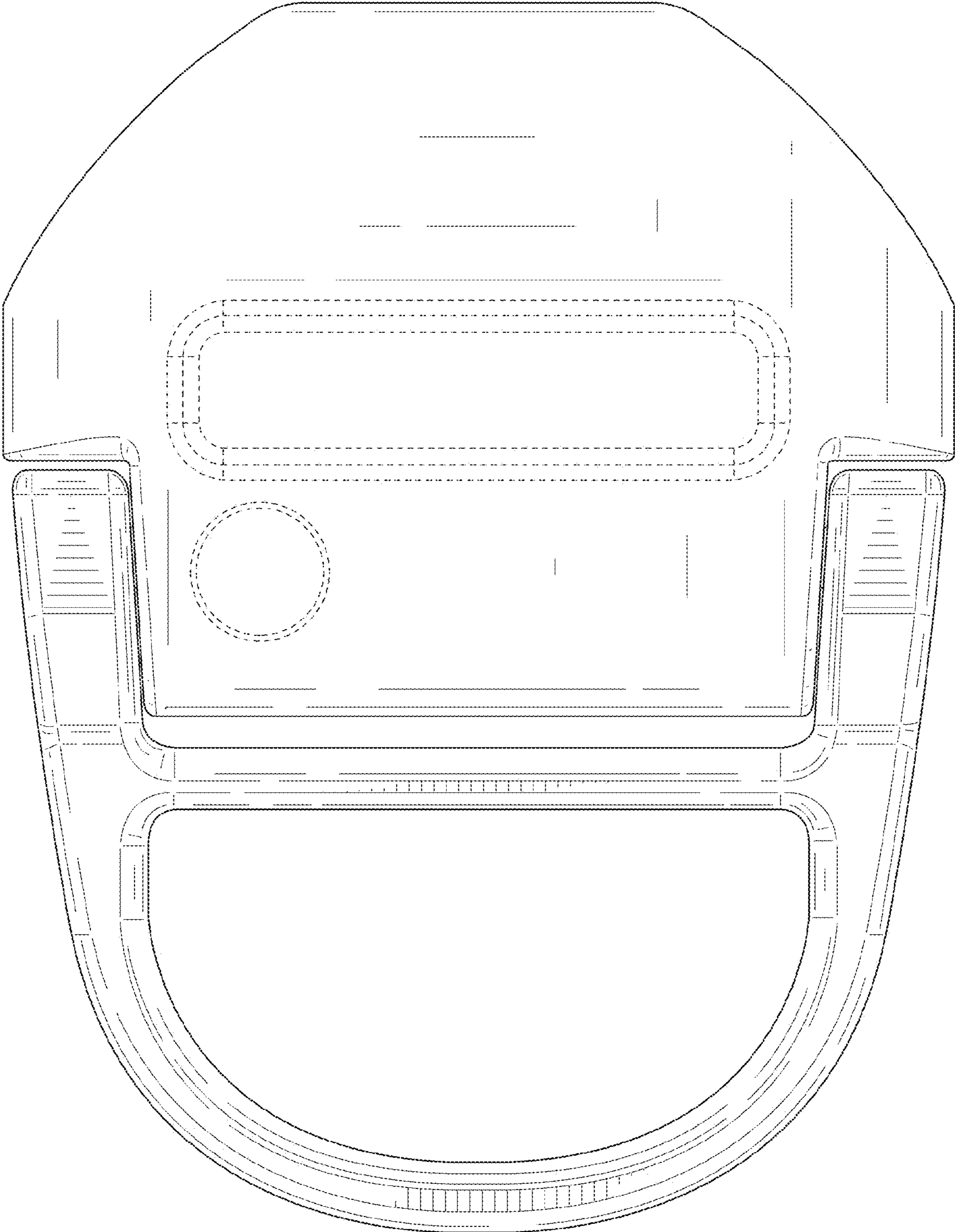


FIG. 4

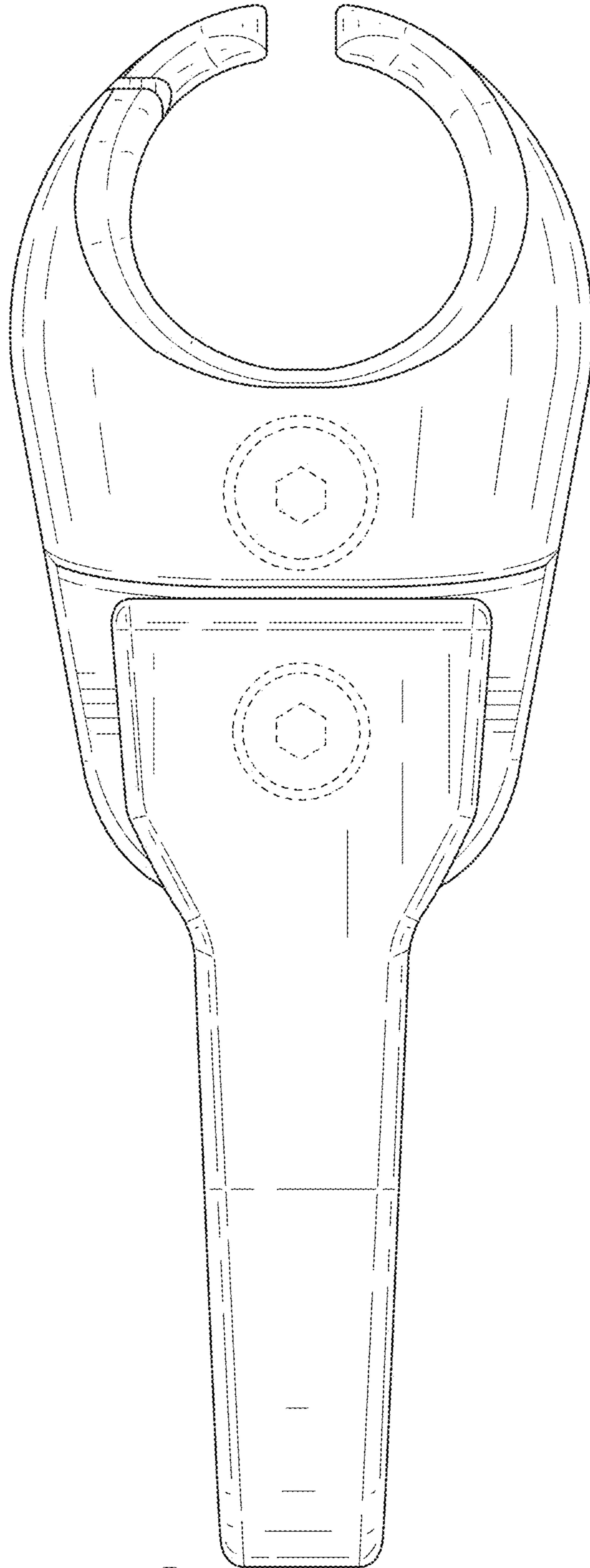


FIG. 5

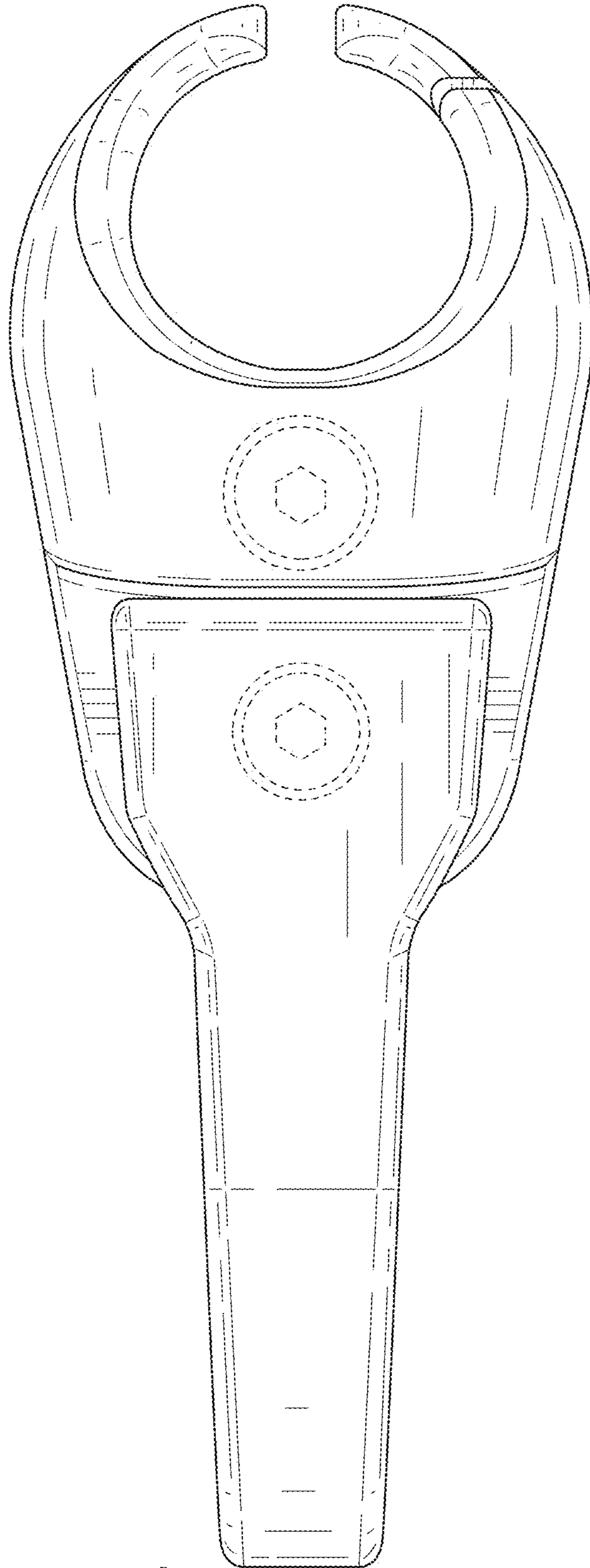


FIG. 6



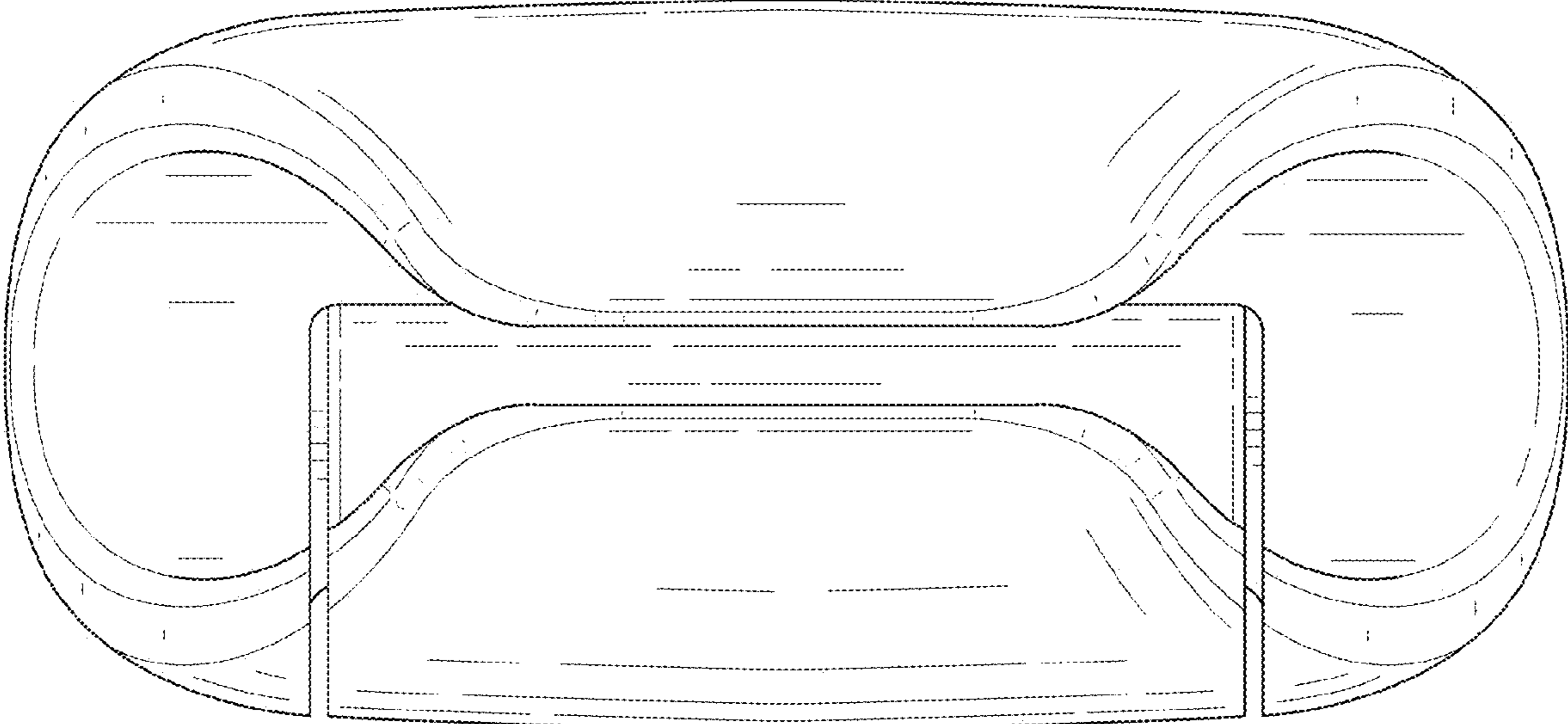


FIG. 7

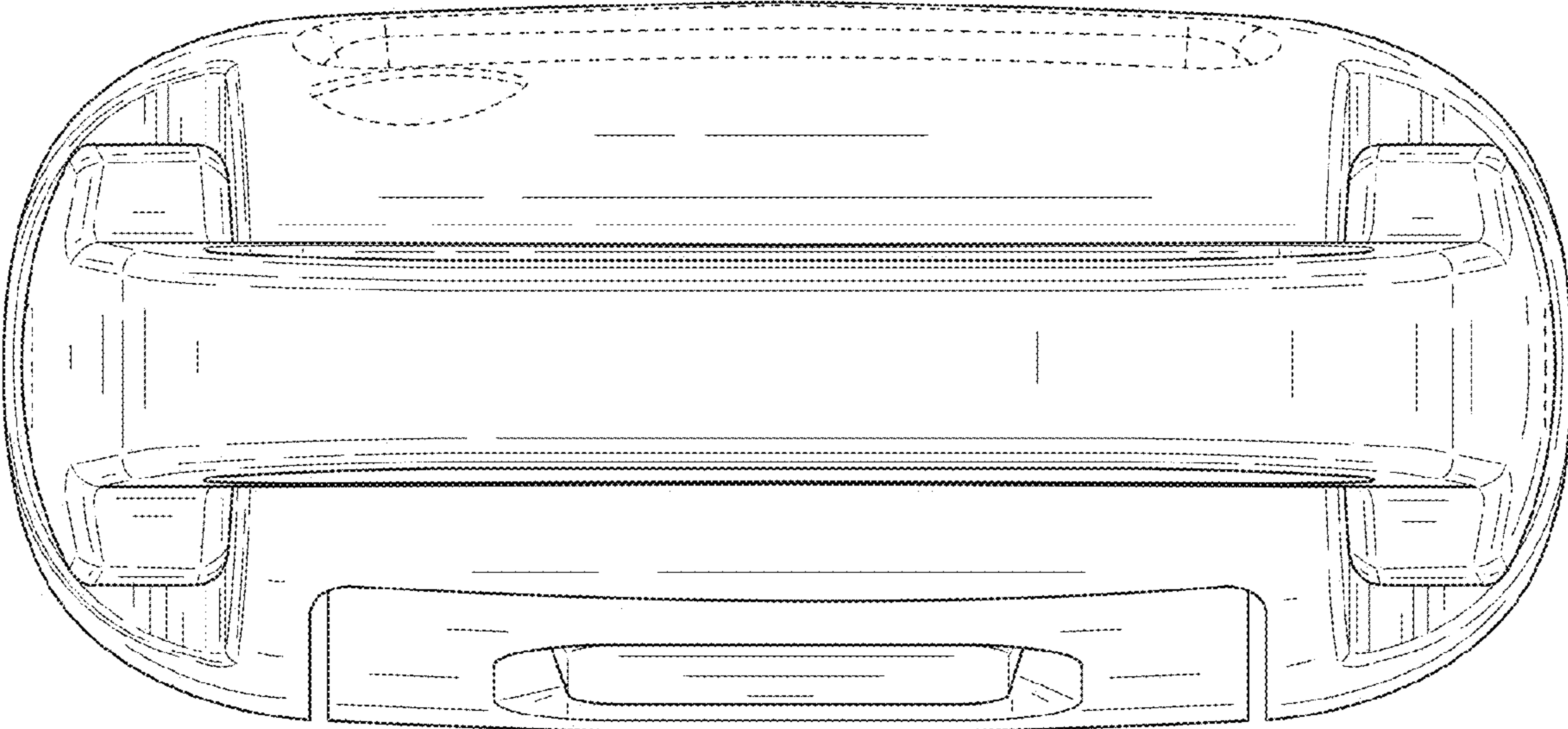


FIG. 8

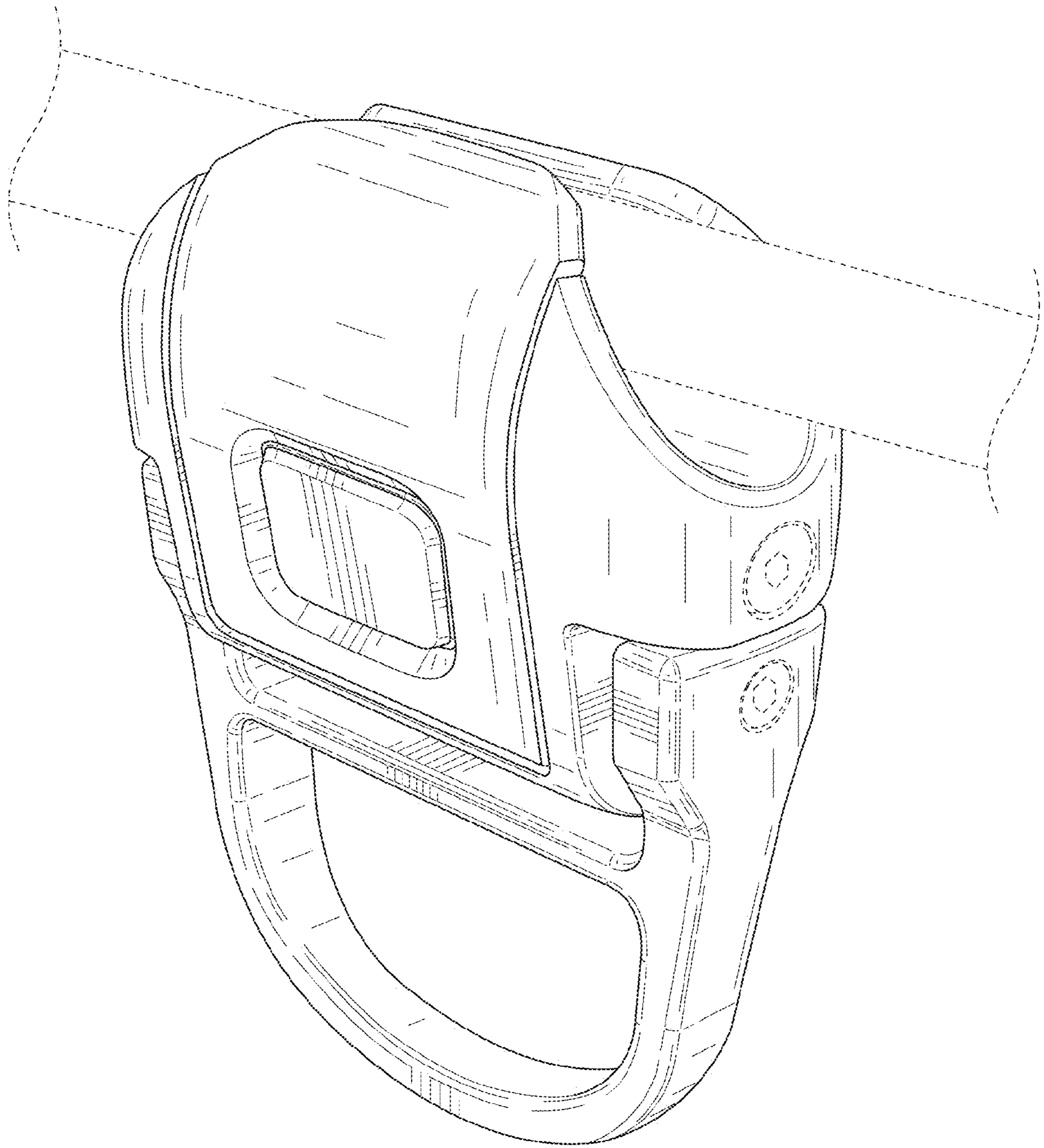


FIG. 9