



US00D939937S

(12) **United States Design Patent**
Chou

(10) **Patent No.:** **US D939,937 S**
(45) **Date of Patent:** **** Jan. 4, 2022**

(54) **SLIDER OF CURTAIN CORD SPLITTER**
(71) Applicant: **Tser Wen Chou**, Yorba Linda, CA (US)
(72) Inventor: **Tser Wen Chou**, Yorba Linda, CA (US)
(**) Term: **15 Years**
(21) Appl. No.: **29/710,460**
(22) Filed: **Oct. 23, 2019**
(51) **LOC (13) Cl.** **09-06**
(52) **U.S. Cl.**
USPC **D8/356**
(58) **Field of Classification Search**
USPC D8/356, 354, 349, 367, 394, 395, 396;
248/74.1, 74.2, 74.3, 74.4
CPC . B65D 63/16; F16B 2/08; A44B 11/04; A44B
6/00; F16G 11/14; B60R 22/24
See application file for complete search history.

6,405,414 B1 * 6/2002 Byrnes A61M 25/00
24/339
D459,977 S * 7/2002 Byrnes et al. D8/357
6,415,932 B1 * 7/2002 Fiscus et al. 211/64
6,458,104 B2 * 10/2002 Gautsche 604/179
D485,161 S * 1/2004 Hutchinson D8/383
D488,054 S * 4/2004 Myers D8/356
D494,450 S * 8/2004 Schultz D8/356
D534,065 S * 12/2006 Andre D8/395
H2203 H * 10/2007 Borchardt et al. D8/396
7,314,142 B2 * 1/2008 Lyman, Jr. B43K 23/002
206/214
D568,723 S * 5/2008 Morgan D8/356
D577,990 S * 10/2008 Andre D14/205
D580,661 S * 11/2008 Belokin D6/315
D586,567 S * 2/2009 Heroux D6/323
D587,101 S * 2/2009 Morgan D8/356
D587,102 S * 2/2009 Morgan D8/356
7,500,644 B2 * 3/2009 Naudet et al. 248/68.1
D606,323 S * 12/2009 Heroux D6/323
7,712,709 B2 * 5/2010 Winchester 248/89
D629,803 S * 12/2010 St. Ives D14/396

(Continued)

Primary Examiner — Cynthia R Underwood
(74) Attorney, Agent, or Firm — Guice Patents PLLC

(56) **References Cited**

U.S. PATENT DOCUMENTS

577,220 A * 2/1897 Whitehead B25J 1/04
294/209
D247,345 S * 2/1978 Mulholland D2/607
4,114,241 A * 9/1978 Bisping 403/188
D256,303 S * 8/1980 Rieman D6/552
4,244,544 A * 1/1981 Kornat 248/68.1
D272,785 S * 2/1984 Rumbaugh D6/552
D272,787 S * 2/1984 Rumbaugh D6/552
4,971,271 A * 11/1990 Sularz 248/68.1
5,316,246 A * 5/1994 Scott et al. 248/68.1
D372,420 S * 8/1996 Mendez D8/356
D376,309 S * 12/1996 Takai D8/356
D404,580 S * 1/1999 Hasler D6/320
D415,530 S * 10/1999 Ridder D19/77
5,992,802 A * 11/1999 Campbell 248/68.1
6,227,502 B1 * 5/2001 Derman 248/74.4
6,360,051 B1 * 3/2002 Daoud 385/137

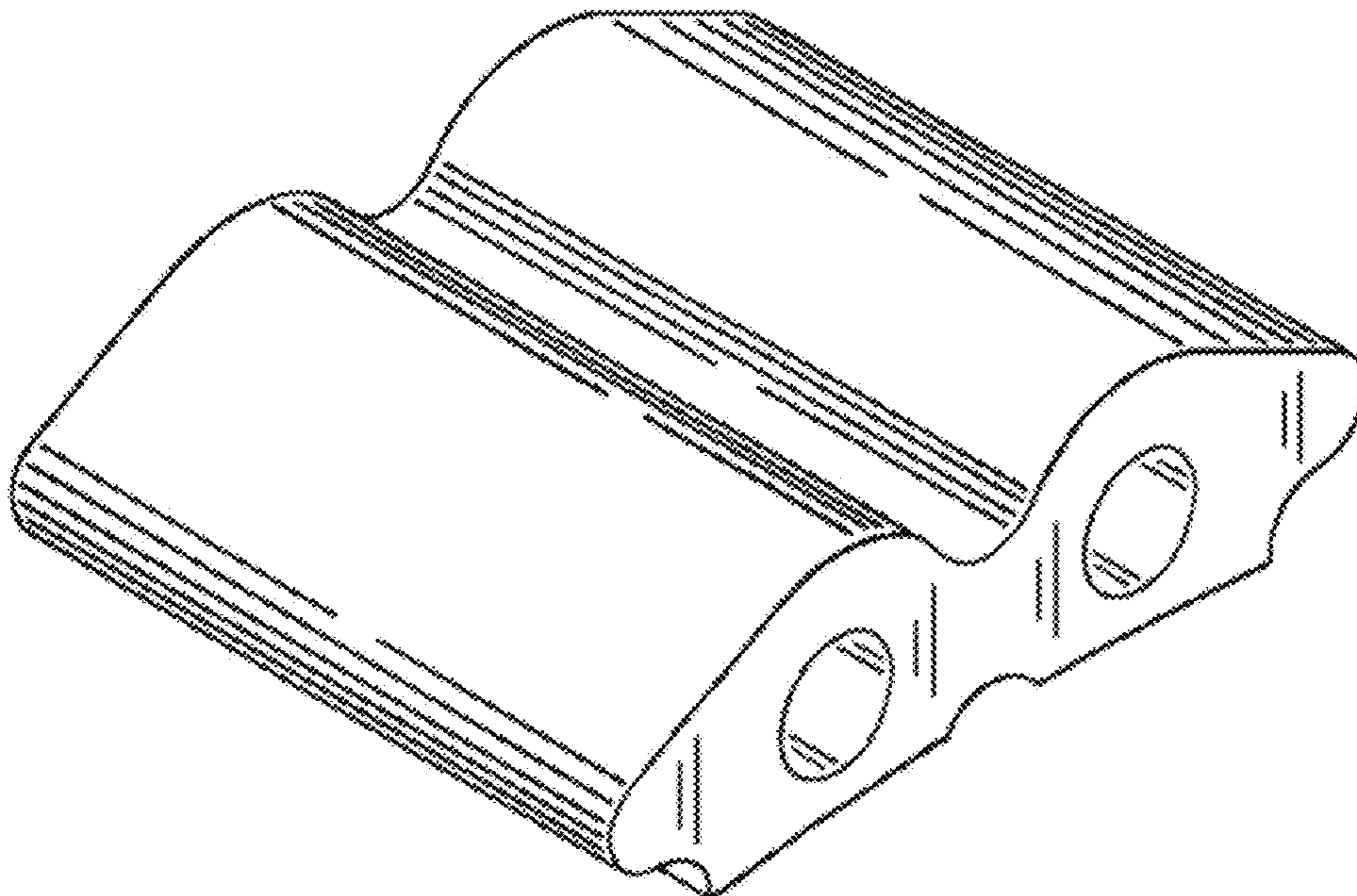
(57) **CLAIM**

The ornamental design for a slider of curtain cord splitter, as shown and described.

DESCRIPTION

FIG. 1 is a perspective view of a slider of curtain cord splitter;
FIG. 2 is a front view thereof;
FIG. 3 is a rear view thereof;
FIG. 4 is a left side view thereof;
FIG. 5 is a right side view thereof;
FIG. 6 is a top view thereof; and,
FIG. 7 is a bottom view thereof.

1 Claim, 4 Drawing Sheets



(56)

References Cited

U.S. PATENT DOCUMENTS

D638,690	S	*	5/2011	Hoek	D8/356
D638,691	S	*	5/2011	Hoek	D8/356
D638,692	S	*	5/2011	Hoek	D8/356
D640,527	S	*	6/2011	Hoek	D8/356
D648,685	S	*	11/2011	Symons	D13/155
8,056,680	B2	*	11/2011	Brotten	182/221
D668,130	S	*	10/2012	Pawluk	D8/356
D676,310	S	*	2/2013	Lowrance	D8/356
D691,875	S	*	10/2013	Ganski	D8/356
D691,878	S	*	10/2013	Ganski	D8/356
D702,532	S	*	4/2014	Garrido et al.	D8/354
8,900,196	B2	*	12/2014	Andino	604/174
D720,606	S	*	1/2015	Mathews et al.	D8/356
D728,349	S	*	5/2015	Lake	D8/356
D752,955	S	*	4/2016	Rowan	D8/356
D775,937	S	*	1/2017	Davis	D8/356
D786,048	S	*	5/2017	Grewal	F16G 11/14
						D8/356
D843,131	S	*	3/2019	Chou	D6/580
D852,354	S	*	6/2019	Wrangmark	D24/128
D877,899	S	*	3/2020	Shepherd	D24/128
D881,823	S	*	4/2020	Clowes	D13/155
D886,991	S	*	6/2020	Kindler	D24/128
D886,993	S	*	6/2020	Dwyer	D24/128
D896,955	S	*	9/2020	Wiechman	D24/128
2003/0132352	A1	*	7/2003	Weaver	248/68.1
2005/0189453	A1	*	9/2005	DeGuevara	248/68.1
2010/0024993	A1	*	2/2010	Chou	E06B 9/50
						160/323.1
2010/0132979	A1	*	6/2010	Chen	174/135

* cited by examiner

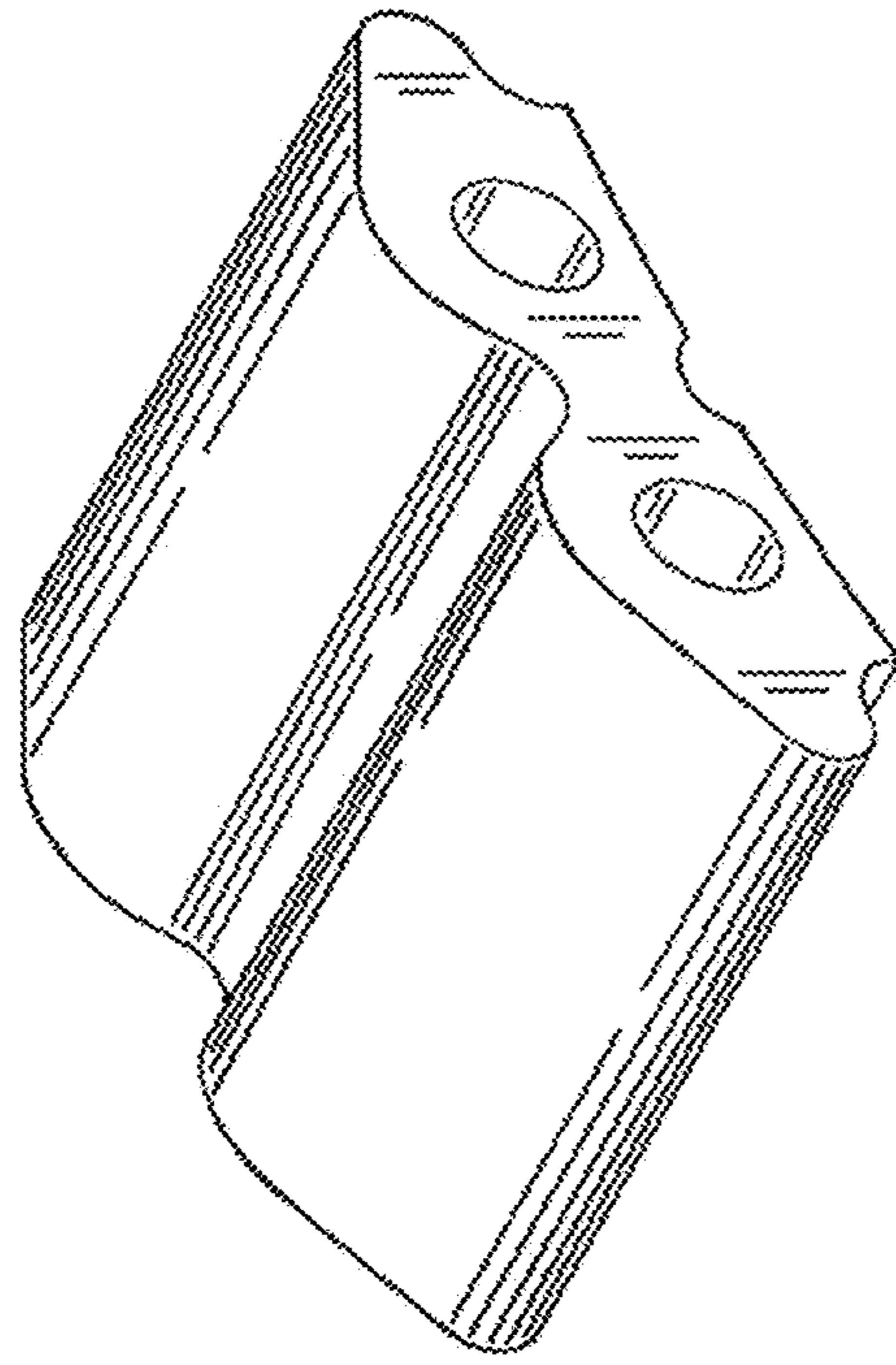


FIG. 1

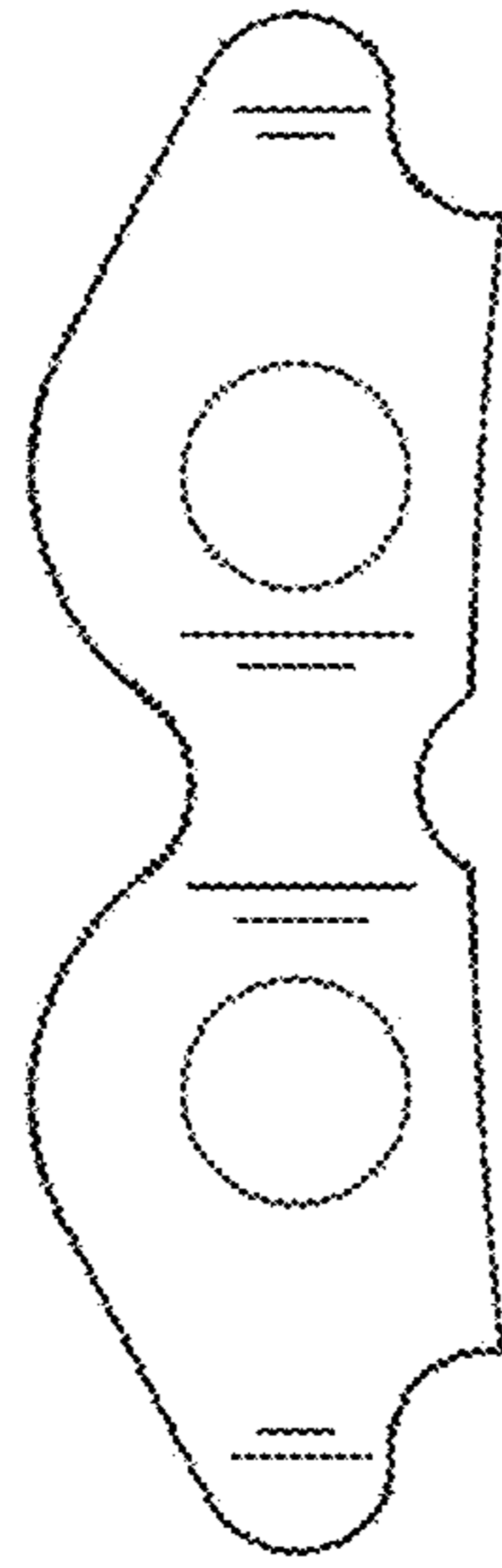


FIG. 2

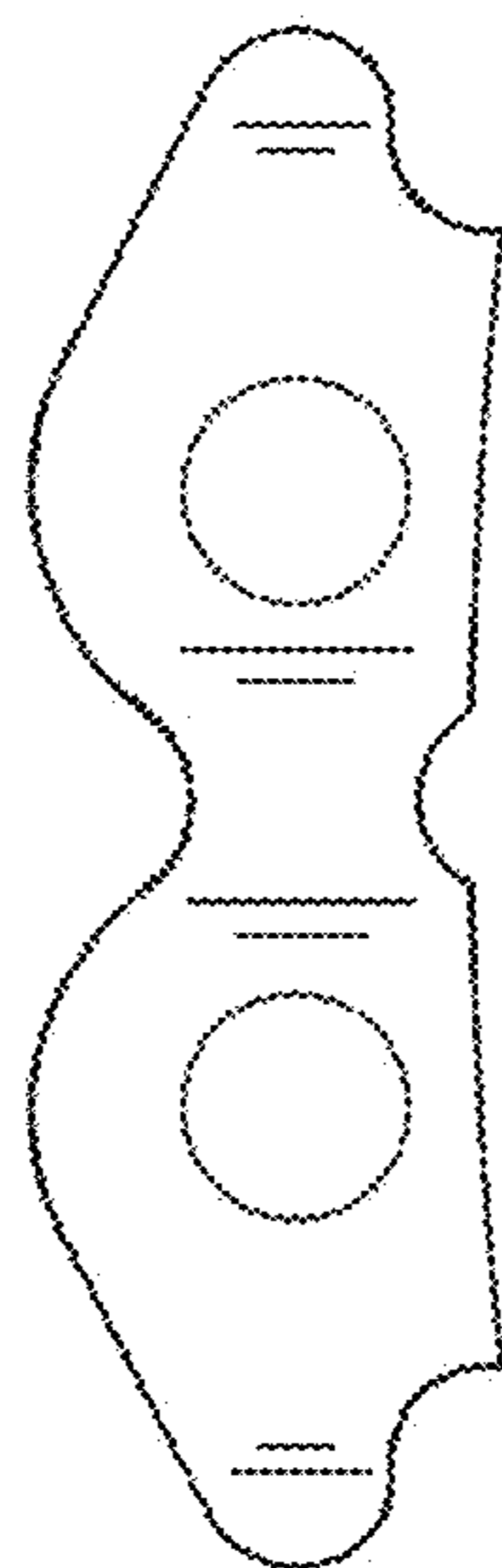


FIG. 3

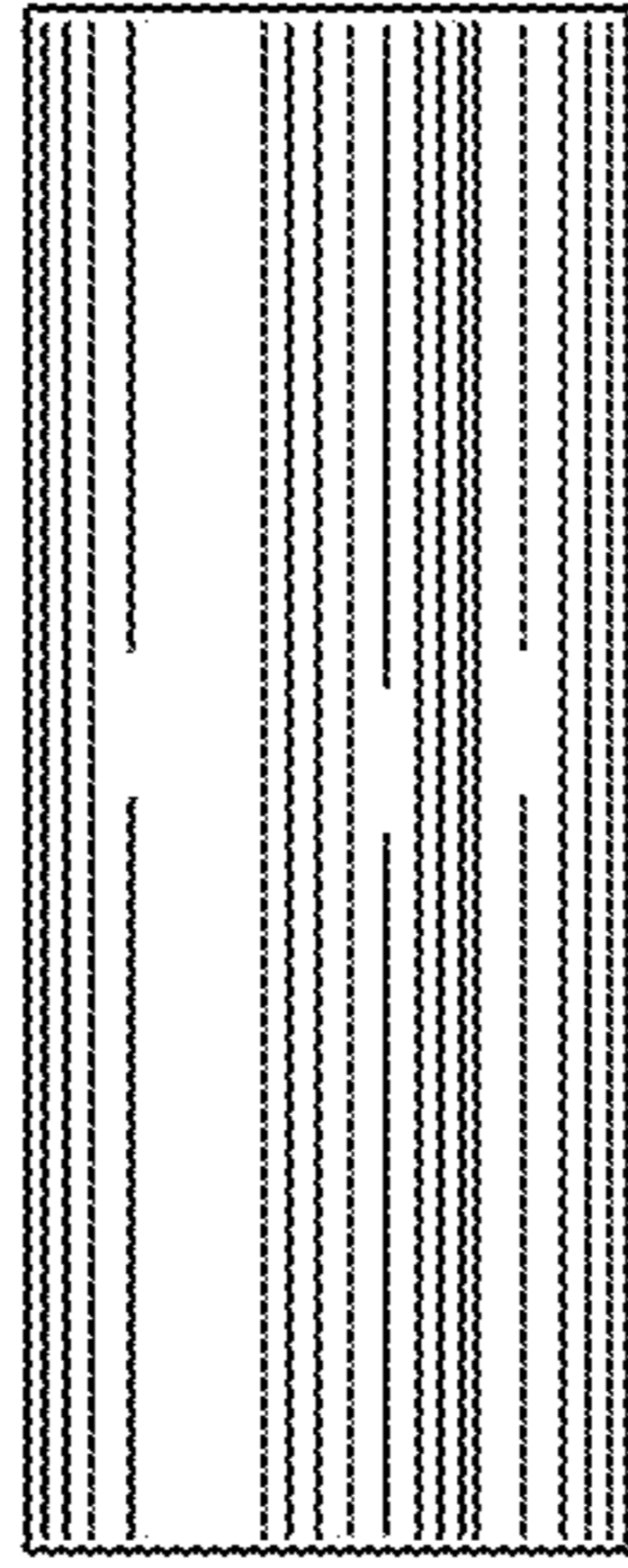


FIG. 4

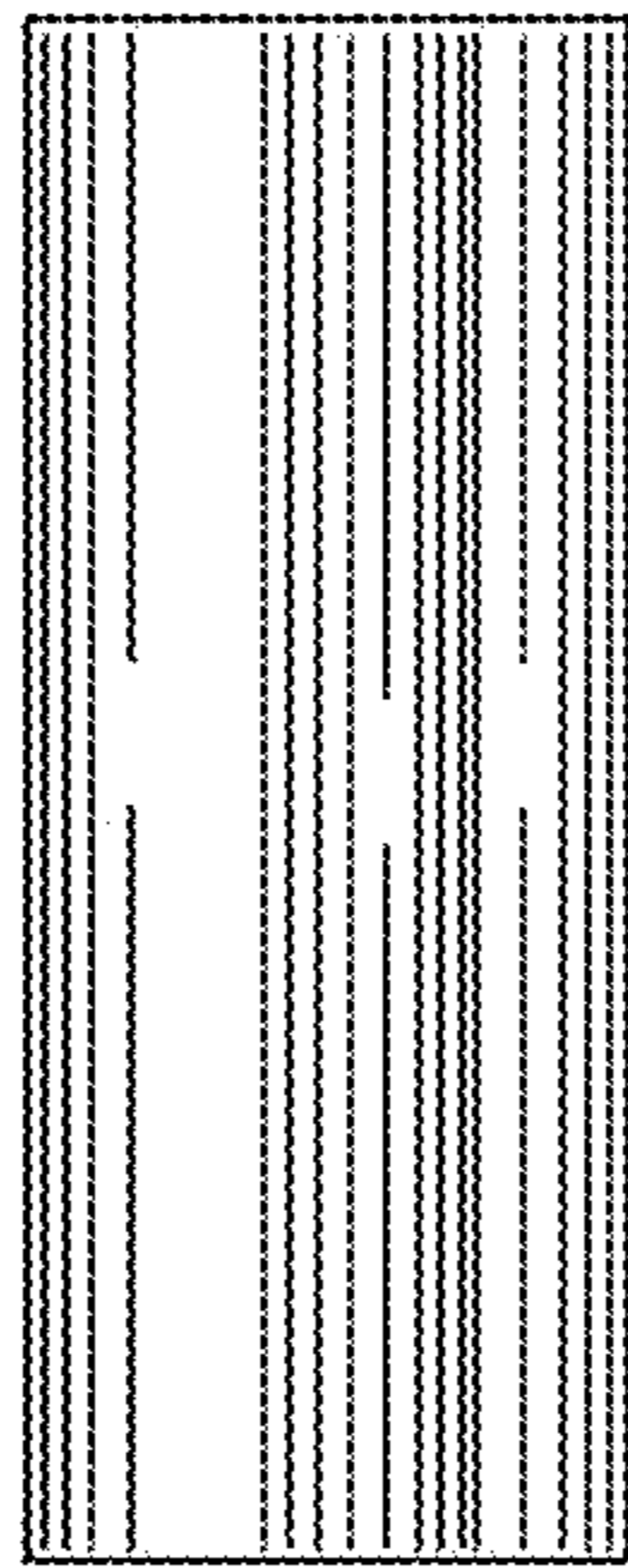


FIG. 5

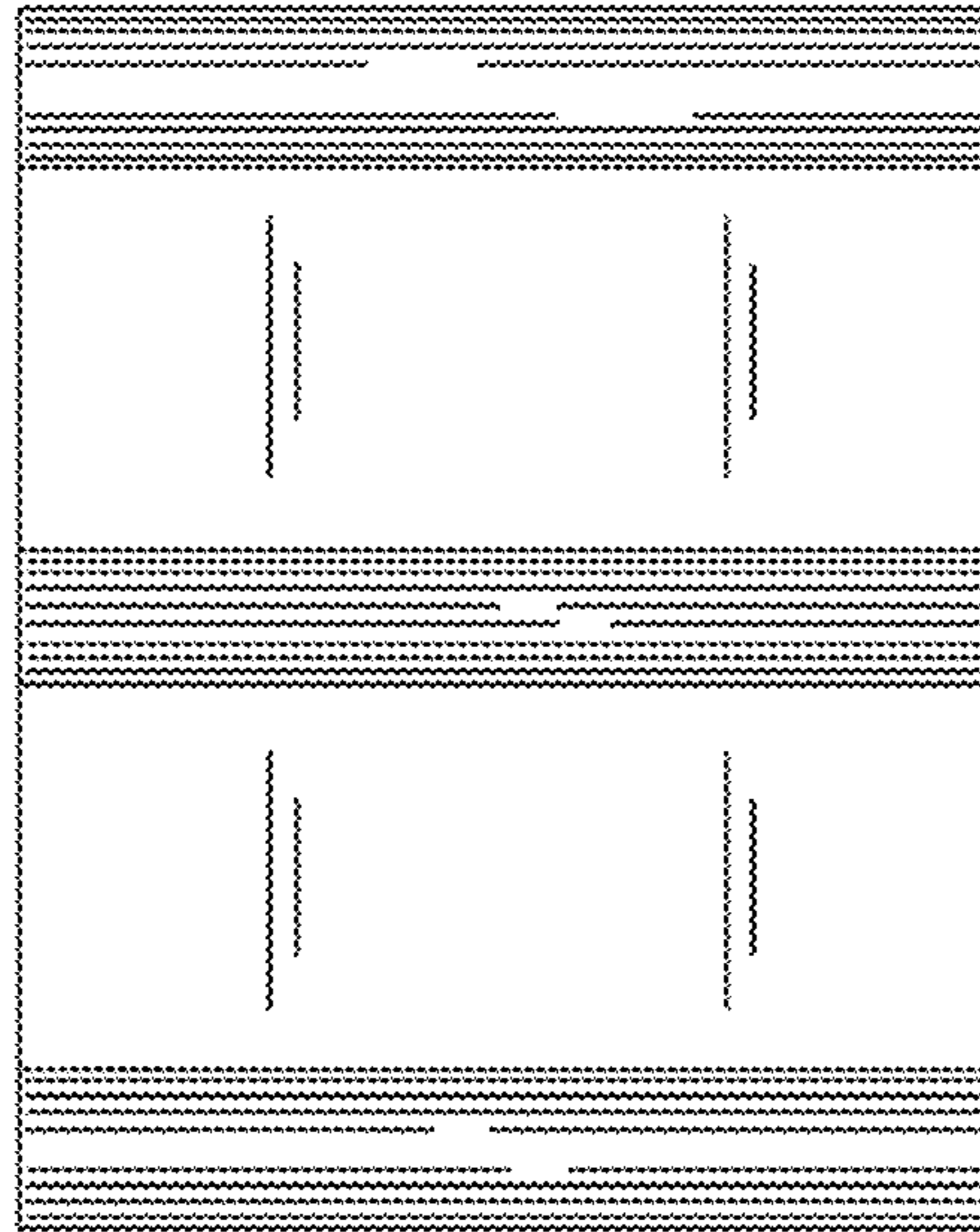


FIG. 7

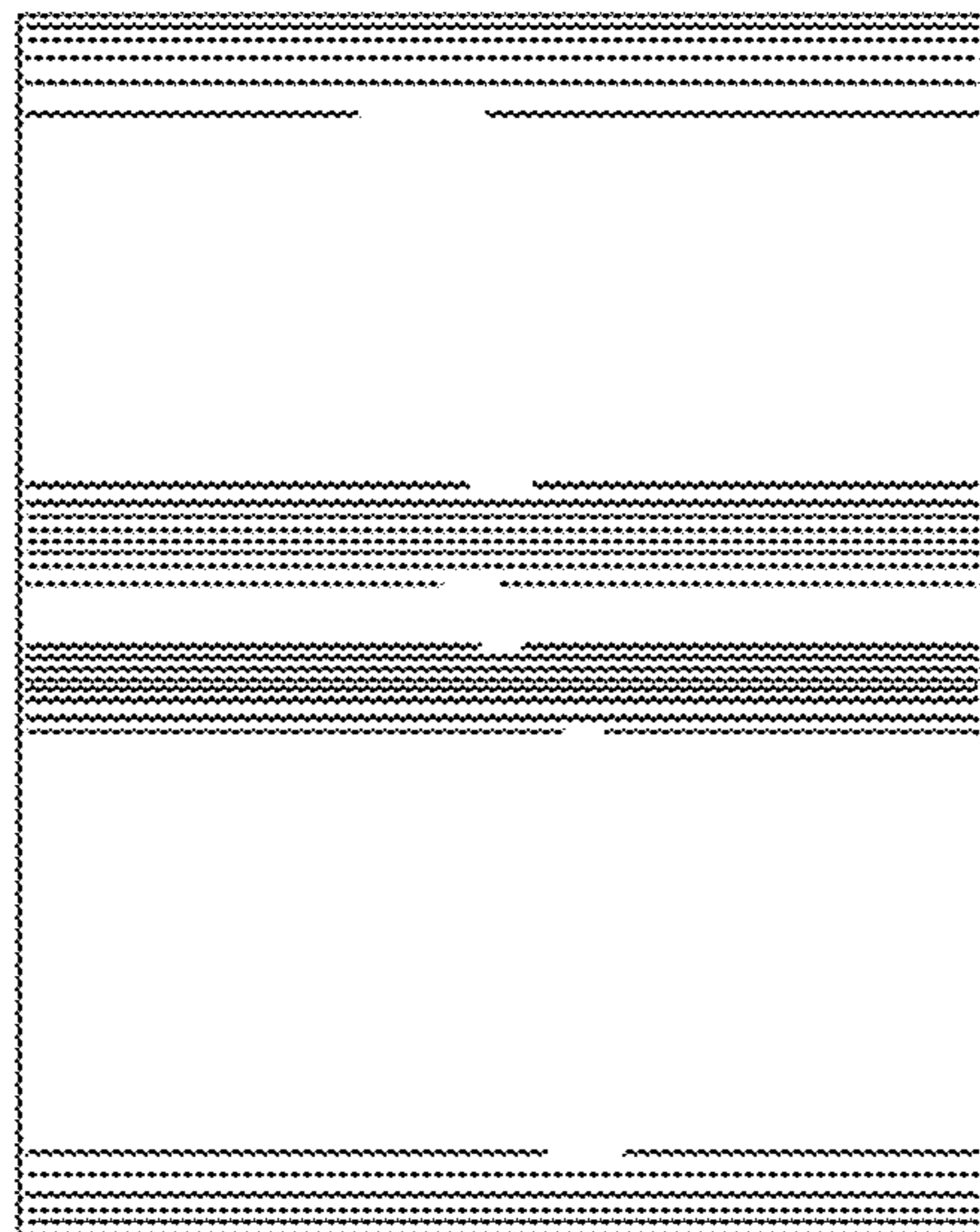


FIG. 6