



US00D939936S

(12) **United States Design Patent**  
**Wang**

(10) **Patent No.:** **US D939,936 S**  
(45) **Date of Patent:** **\*\* Jan. 4, 2022**

(54) **CABLE TIE**

(74) *Attorney, Agent, or Firm* — Suiter Swantz pc llo

(71) Applicant: **Hont Electrical Co., Ltd.**, Wenzhou (CN)

(72) Inventor: **Hongjie Wang**, Wenzhou (CN)

(73) Assignee: **Hon Electrical Co., Ltd.**, Wenzhou (CN)

(\*\*) Term: **15 Years**

(21) Appl. No.: **29/703,317**

(22) Filed: **Aug. 26, 2019**

(51) **LOC (13) Cl.** ..... **09-06**

(52) **U.S. Cl.**  
USPC ..... **D8/356**

(58) **Field of Classification Search**  
USPC ..... D8/356, 354, 349, 383; 381/384  
CPC ..... E02D 5/803; B63B 21/045; B63B 59/02;  
B60D 1/18; B60P 7/0823; A44B 13/0029  
See application file for complete search history.

(56) **References Cited**

U.S. PATENT DOCUMENTS

D201,798 S *	8/1965	Miller	.....	D8/394
D205,940 S *	10/1966	Miller	.....	D8/394
3,908,233 A *	9/1975	Caveney	.....	F16L 3/2334 24/16 PB
3,965,538 A *	6/1976	Caveney	.....	B65D 63/1072 24/16 PB
4,287,644 A *	9/1981	Durand	.....	F16L 3/2334 24/16 PB
4,347,648 A *	9/1982	Dekkers	.....	B65D 63/1063 24/16 PB
4,688,302 A *	8/1987	Caveney	.....	B65D 63/1072 24/16 PB
4,754,529 A *	7/1988	Paradis	.....	B29C 45/0055 24/16 PB
4,788,751 A *	12/1988	Shely	.....	B65D 63/1072 24/16 PB

(Continued)

*Primary Examiner* — Cynthia R Underwood

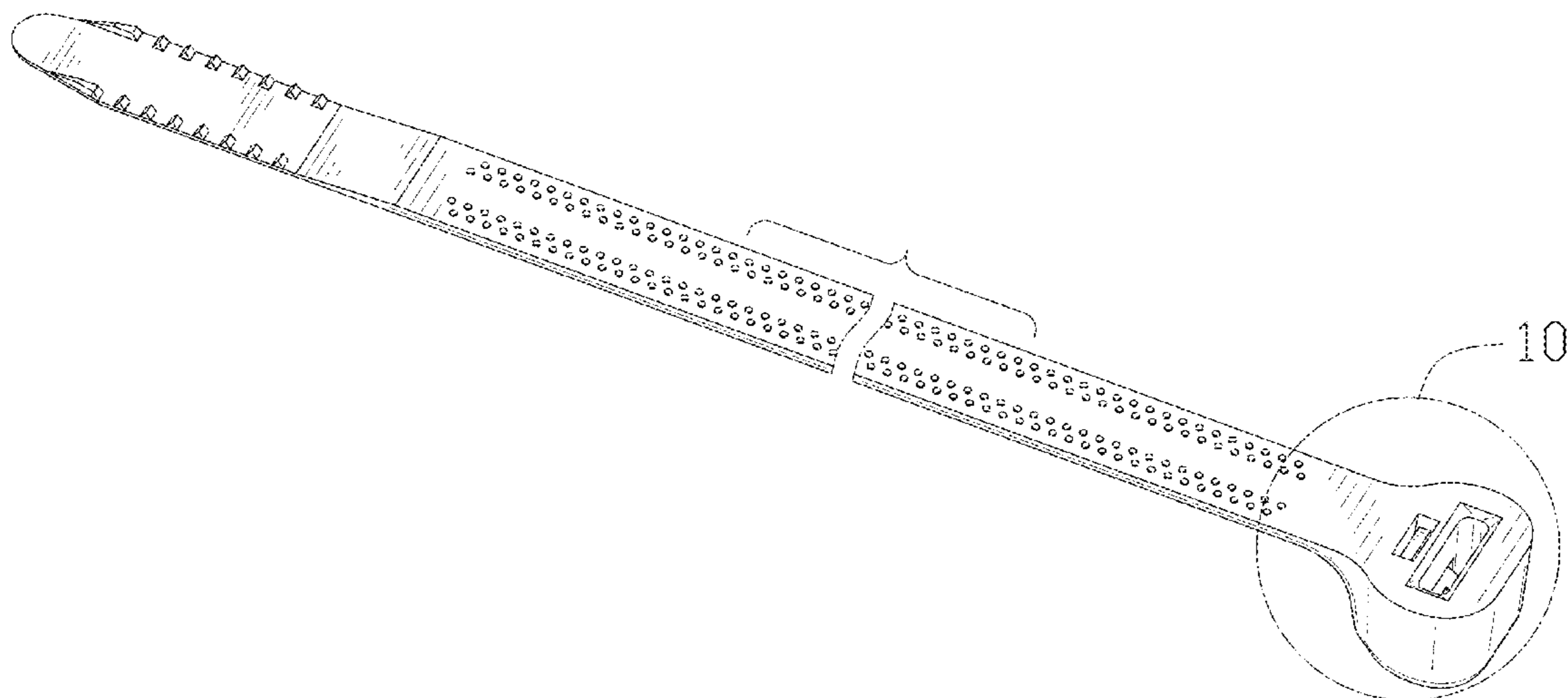
(57) **CLAIM**

The ornamental design for a cable tie, as shown and described.

**DESCRIPTION**

FIG. 1 is a perspective top view of a cable tie;  
 FIG. 2 is a perspective bottom view of the cable tie of FIG. 1;  
 FIG. 3 is a right side elevation view of the cable tie of FIG. 1;  
 FIG. 4 is a left side elevation view of the cable tie of FIG. 1;  
 FIG. 5 is a rear end view of the cable tie of FIG. 1;  
 FIG. 6 is a front end view of the cable tie of FIG. 1;  
 FIG. 7 is a top view of the cable tie of FIG. 1;  
 FIG. 8 is a bottom view of the cable tie of FIG. 1;  
 FIG. 9 is a cross-sectional side view of a portion of the cable tie that is located between a set of markings 9 in FIG. 7;  
 FIG. 10 is a perspective top view of a portion of the cable tie that is encircled by broken lines 10 in FIG. 1; and,  
 FIG. 11 is a perspective bottom view of a portion of the cable tie that is encircled by broken lines 11 in FIG. 2.  
 Broken lines are used to illustrate portions of the article of manufacture that form no part of the claimed design. Furthermore, the broken lines 10 in FIGS. 1 and 10 and the broken lines 11 in FIGS. 2 and 11 are boundary lines that form no part of the claimed design. The markings 9 in FIG. 7 are also boundary lines form no part of the claimed design. A separation and a bracket are used in the drawings to indicate that a precise length of the cable tie is not claimed. The separation and the bracket in the drawings form no part of the claimed design.

**1 Claim, 11 Drawing Sheets**



(56)

References Cited

U.S. PATENT DOCUMENTS

5,267,373 A \* 12/1993 Chisek ..... B65D 63/1072  
24/16 PB  
5,601,261 A \* 2/1997 Koike ..... B60R 16/0215  
24/16 PB  
5,628,348 A \* 5/1997 Scott ..... B65B 13/027  
140/123.5  
5,630,252 A \* 5/1997 Wells ..... B65D 63/1036  
24/16 PB  
D380,375 S \* 7/1997 Rohaly ..... D8/394  
5,669,111 A \* 9/1997 Rohaly ..... B65D 63/1072  
24/16 PB  
D389,051 S \* 1/1998 Caveney ..... 24/16 PB  
5,745,957 A \* 5/1998 Khokhar ..... B65D 63/1072  
24/16 PB  
5,836,053 A \* 11/1998 Davignon ..... F16L 3/233  
24/16 PB  
D419,861 S \* 2/2000 Khokhar ..... D8/396  
D422,487 S \* 4/2000 Khokhar ..... D8/396  
6,079,657 A \* 6/2000 Hwang ..... B65H 75/406  
191/12.4  
6,105,210 A \* 8/2000 Benoit ..... B65D 63/1063  
24/16 PB  
D444,054 S \* 6/2001 Bernard ..... D8/394  
6,279,203 B1 \* 8/2001 Hundley ..... B65D 63/1036  
24/16 PB  
6,430,783 B1 \* 8/2002 Benoit ..... B65D 63/1063  
24/16 PB  
6,484,366 B1 \* 11/2002 Deschenes ..... B65D 63/1063  
24/16 PB  
6,497,258 B1 \* 12/2002 Flannery ..... B65D 63/1063  
140/123.6  
D471,435 S \* 3/2003 Krisel ..... D8/396  
D488,374 S \* 4/2004 Hussaini ..... D8/396  
D530,600 S \* 10/2006 Krisel ..... D8/396

7,303,711 B2 \* 12/2007 Gallant ..... B29C 43/222  
264/220  
D614,941 S \* 5/2010 Murphy ..... D8/387  
D619,887 S \* 7/2010 Colton ..... D8/396  
D698,632 S \* 2/2014 Wang ..... D8/383  
D700,826 S \* 3/2014 Qin ..... D8/367  
D701,453 S \* 3/2014 Wang ..... D8/383  
8,739,387 B1 \* 6/2014 Frishberg ..... F16L 3/2332  
140/93 A  
D728,351 S \* 5/2015 Martinson ..... D8/373  
D728,352 S \* 5/2015 Martinson ..... D8/373  
D732,945 S \* 6/2015 Asai ..... B65D 63/1063  
D8/356  
D749,409 S \* 2/2016 Martinson ..... D8/396  
D769,704 S \* 10/2016 Nitta ..... D8/387  
D776,516 S \* 1/2017 Geiger ..... D8/356  
D778,148 S \* 2/2017 Iwahara ..... D8/383  
D778,710 S \* 2/2017 Nagayasu ..... D8/356  
D779,314 S \* 2/2017 Adams ..... D8/383  
D779,924 S \* 2/2017 Nagayasu ..... D8/356  
D781,136 S \* 3/2017 Nagayasu ..... D8/383  
D799,125 S \* 10/2017 Bolinger ..... D30/155  
D800,539 S \* 10/2017 Geiger ..... D8/356  
9,958,089 B2 \* 5/2018 Geiger ..... F16L 3/137  
10,053,268 B1 \* 8/2018 Sickenberger ..... B65D 63/1063  
D835,495 S \* 12/2018 Votel ..... D8/356  
D836,429 S \* 12/2018 Kozminske ..... B65D 63/1027  
D8/383  
D840,788 S \* 2/2019 Geiger ..... D8/356  
D844,416 S \* 4/2019 Dyer ..... F16L 3/2334  
D8/356  
D888,542 S \* 6/2020 Wiles ..... D8/356  
2005/0115029 A1 \* 6/2005 Magno, Jr. ..... F16L 3/2334  
24/16 PB  
2009/0172922 A1 \* 7/2009 Laporte ..... B65D 63/1063  
24/16 PB  
2016/0355243 A1 \* 12/2016 Hynes ..... B63B 59/02  
2017/0327194 A1 \* 11/2017 Zimmerman ..... F16M 13/02

\* cited by examiner

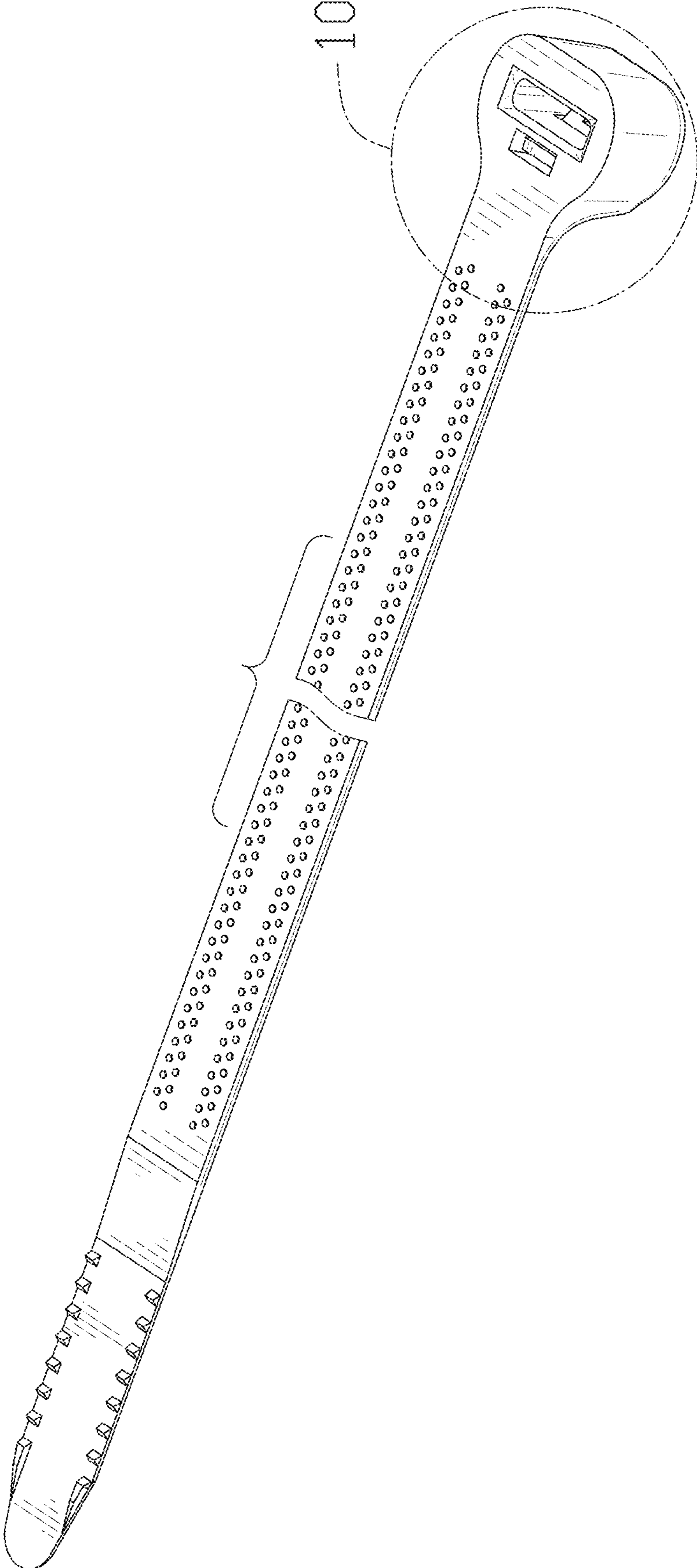


FIG. 1

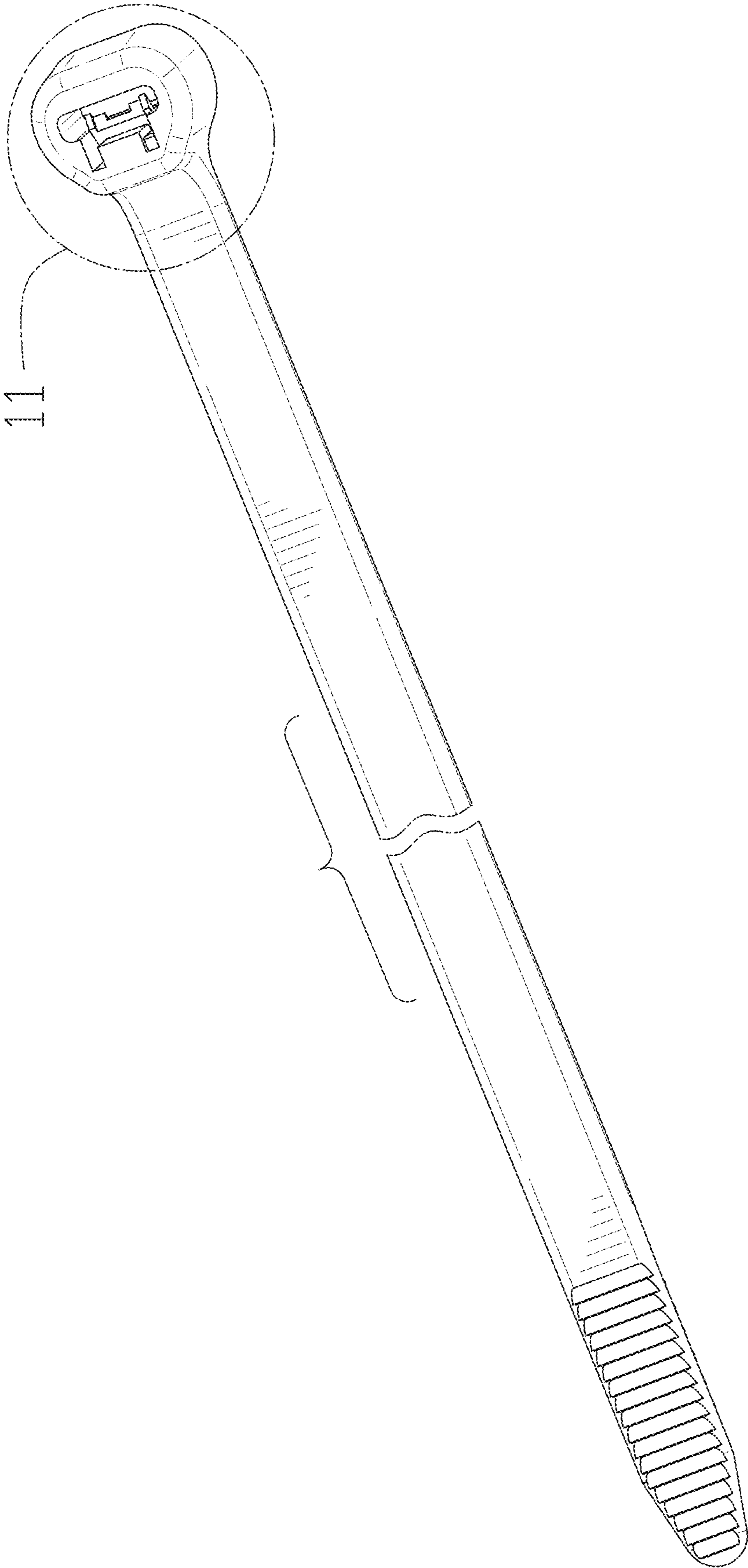


FIG. 2

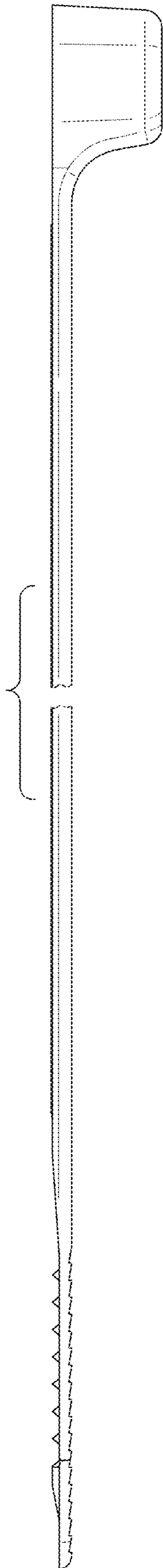


FIG. 3

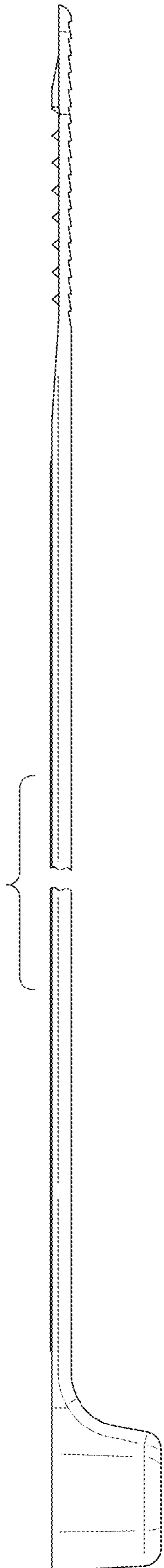


FIG. 4

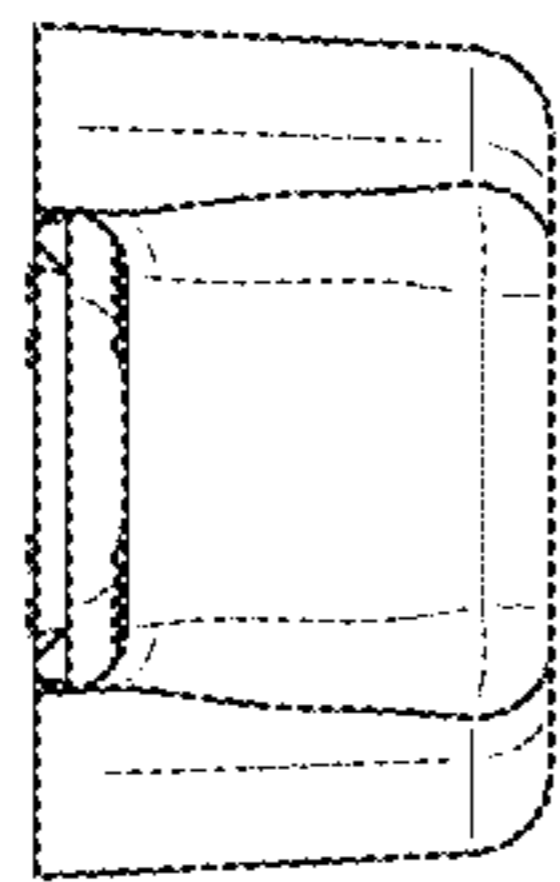


FIG. 5

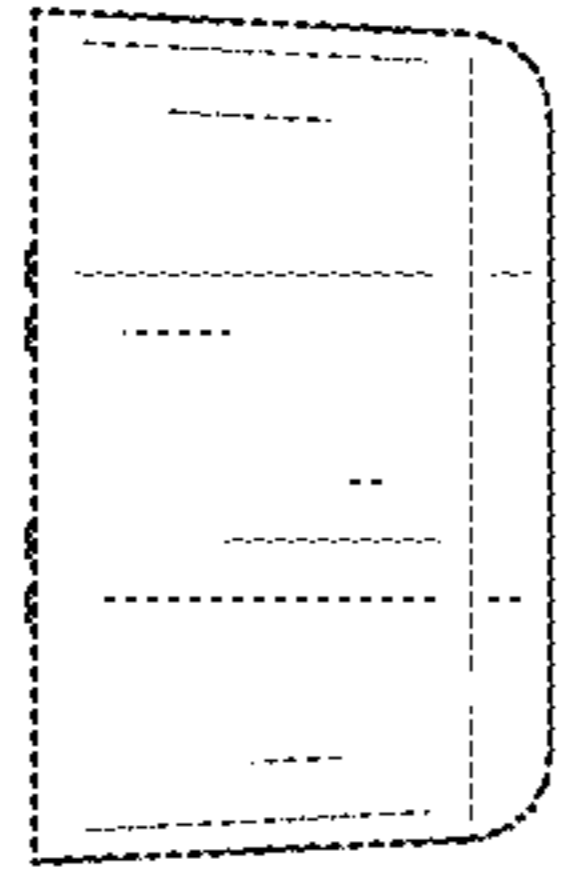


FIG. 6



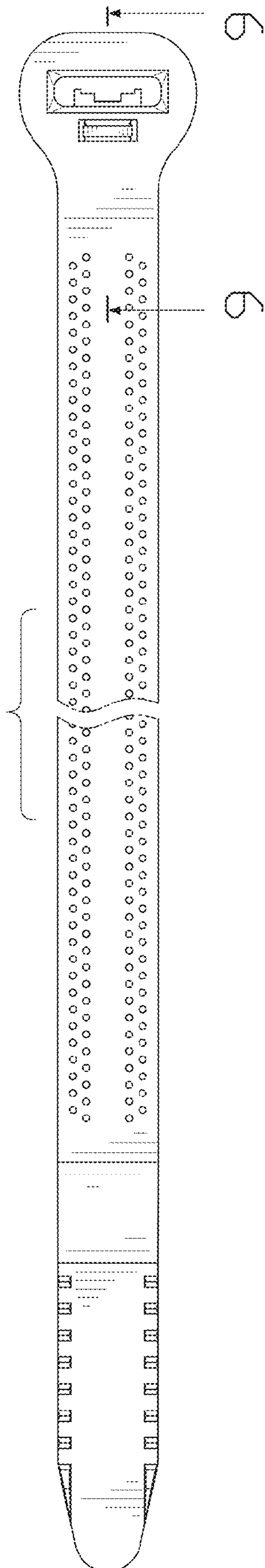


FIG. 7

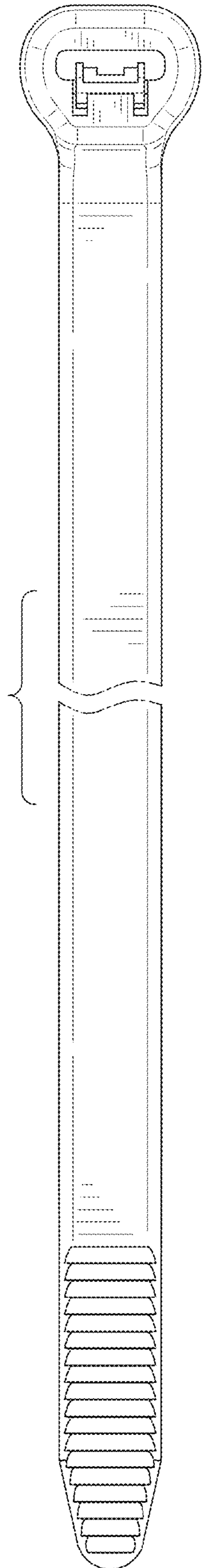


FIG. 8

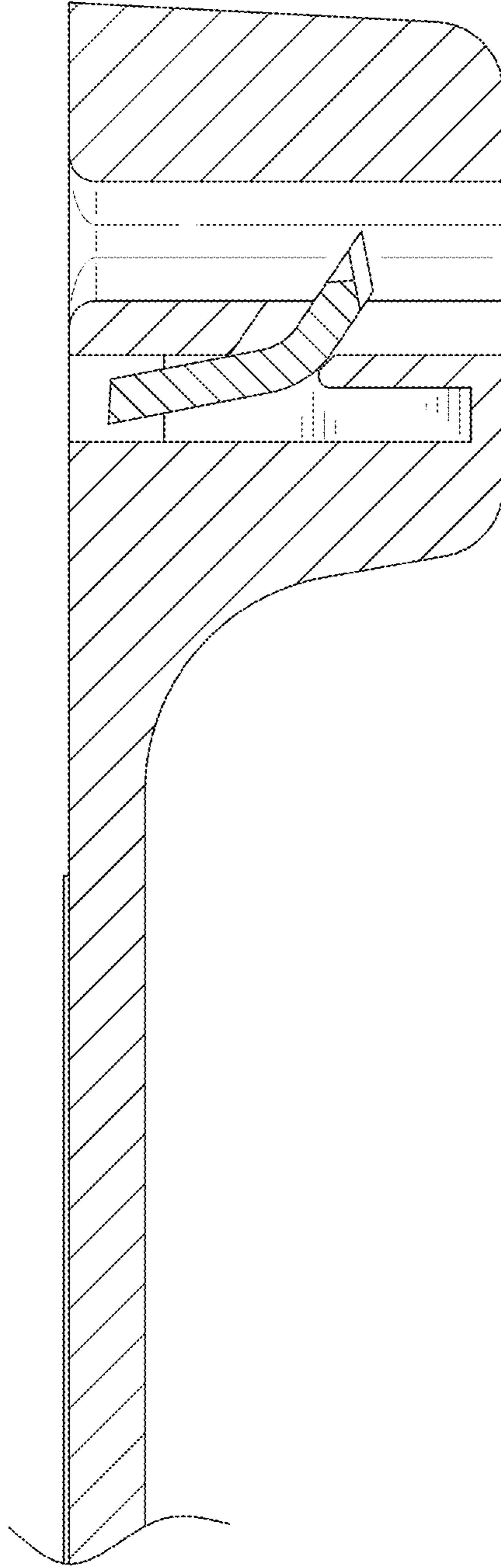


FIG. 9

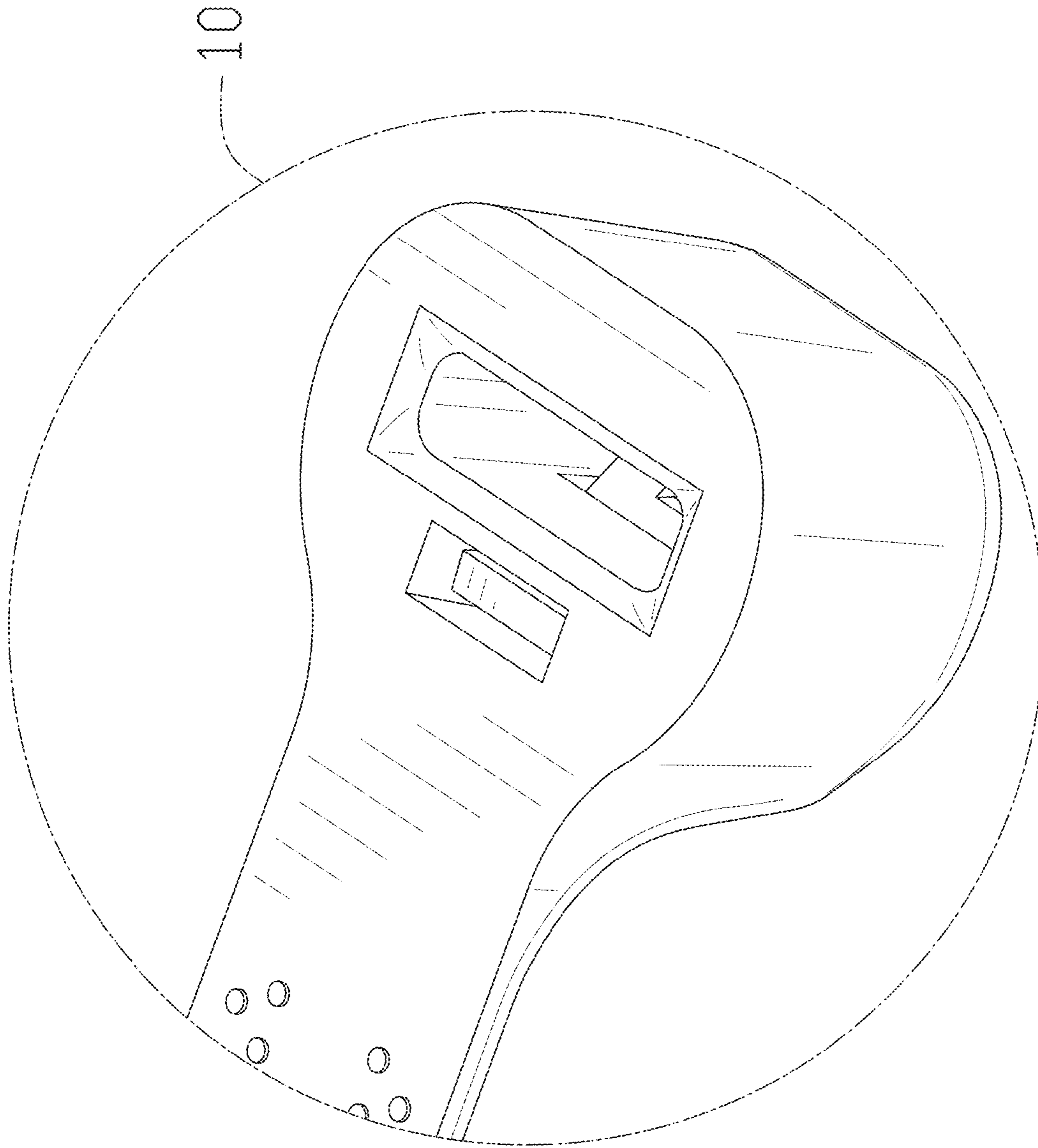


FIG. 10

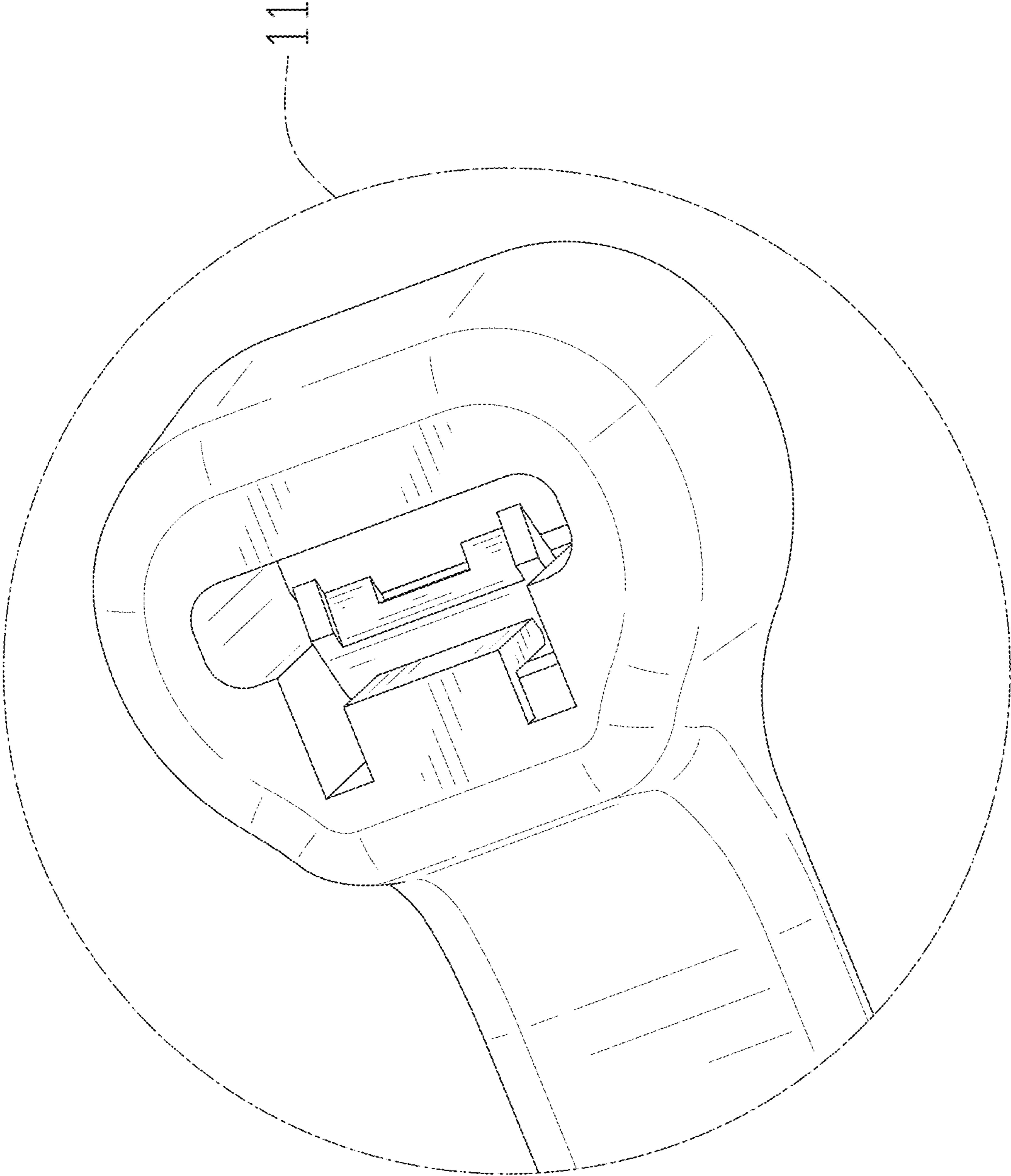


FIG. 11