



US00D939935S

(12) **United States Design Patent**
Tang

(10) **Patent No.:** **US D939,935 S**

(45) **Date of Patent:** **** Jan. 4, 2022**

(54) **DOOR PEDAL**

D924,661 S * 7/2021 Carlino D8/313
D924,662 S * 7/2021 Carlino D8/313
2005/0005402 A1* 1/2005 Moody E05B 53/001
16/412

(71) Applicant: **ZHEJIANG OPEN
ELECTROMECHANICAL
TECHNOLOGY CO., LTD**, Quzhou
(CN)

(72) Inventor: **Qunhua Tang**, Quzhou (CN)

(**) Term: **15 Years**

(21) Appl. No.: **29/738,159**

(22) Filed: **Jun. 15, 2020**

(51) **LOC (13) Cl.** **08-05**

(52) **U.S. Cl.**
USPC **D8/354; D8/400**

(58) **Field of Classification Search**
USPC D8/300, 301, 302, 315, 321, 330, 349,
D8/354, 400, 402, 404, 499
CPC Y10T 70/7062; Y10T 70/8568
See application file for complete search history.

(56) **References Cited**

U.S. PATENT DOCUMENTS

D417,833 S * 12/1999 Heithe D8/301
7,043,799 B2 * 5/2006 Moody E05B 53/001
16/412
7,043,800 B2 * 5/2006 Moody E05B 53/001
16/412
D573,439 S * 7/2008 Sheppard D8/313
D575,134 S * 8/2008 Sheppard D6/300
D659,507 S * 5/2012 Metz D8/343
9,115,530 B2 * 8/2015 Michael E05F 11/54
10,174,532 B2 * 1/2019 Couturier E05C 19/184

OTHER PUBLICATIONS

www.amazon.com, Kleantoolz Grabfoot Commercial Door Opener
Tool. Medium Handsfree Door Foot Pull for Big Entry Doors,
Bathroom Door Opener or Conference Room Doors! Foot Step
Large Door Pull, Touchless Door Opener, Jul. 23, 2020 (Year:
2020).*

* cited by examiner

Primary Examiner — Keli L Hill

Assistant Examiner — Harold E Blackwell, II

(74) *Attorney, Agent, or Firm* — W&KIP

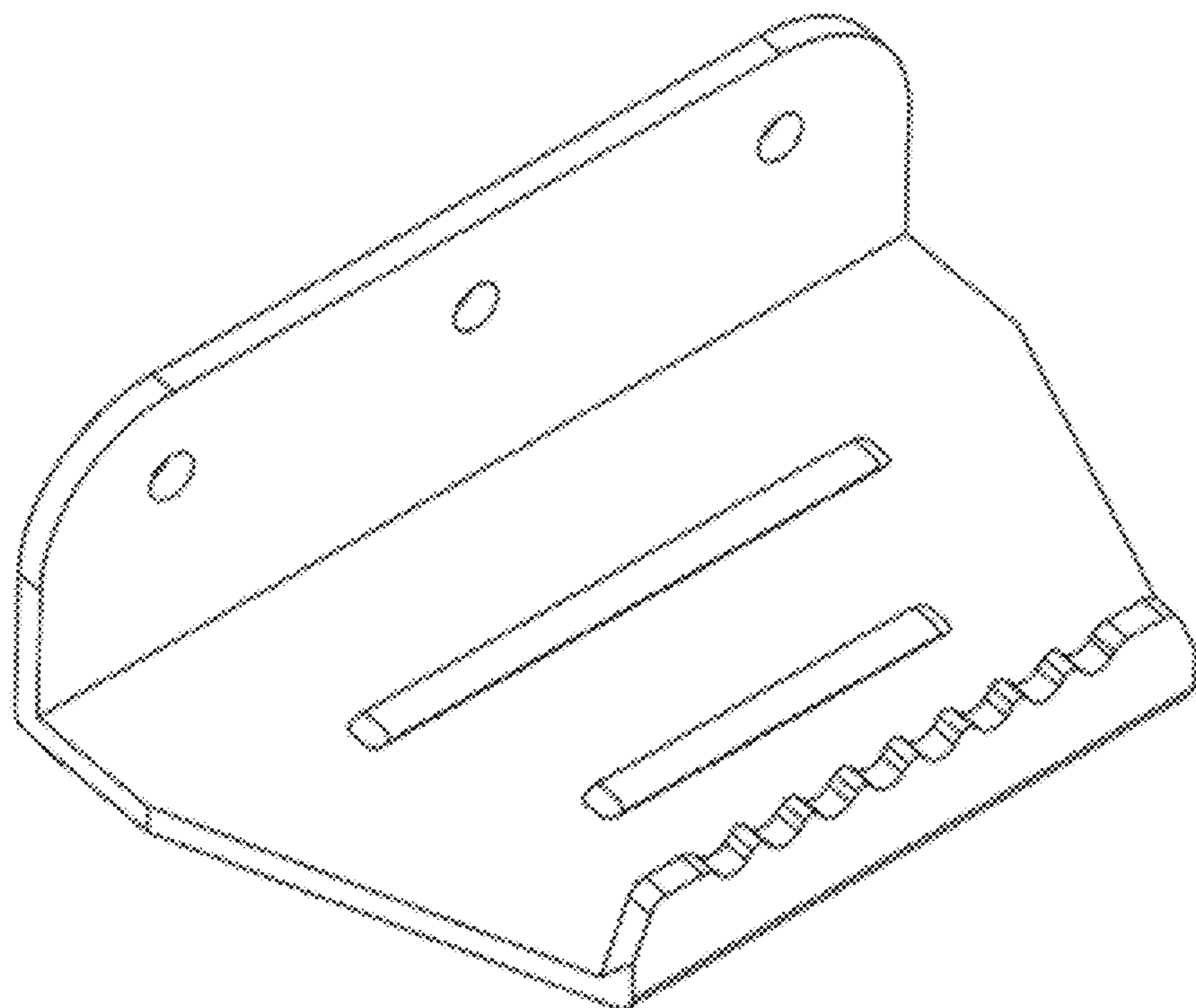
(57) **CLAIM**

The ornamental design for a door pedal, as shown and
described.

DESCRIPTION

FIG. 1 is a perspective view of a door pedal, showing my
new design;
FIG. 2 is a front elevational view thereof;
FIG. 3 is a rear elevational view thereof;
FIG. 4 is a left elevational view thereof;
FIG. 5 is a right elevational view thereof;
FIG. 6 is a top plan view thereof; and,
FIG. 7 is a bottom plan view thereof.

1 Claim, 7 Drawing Sheets



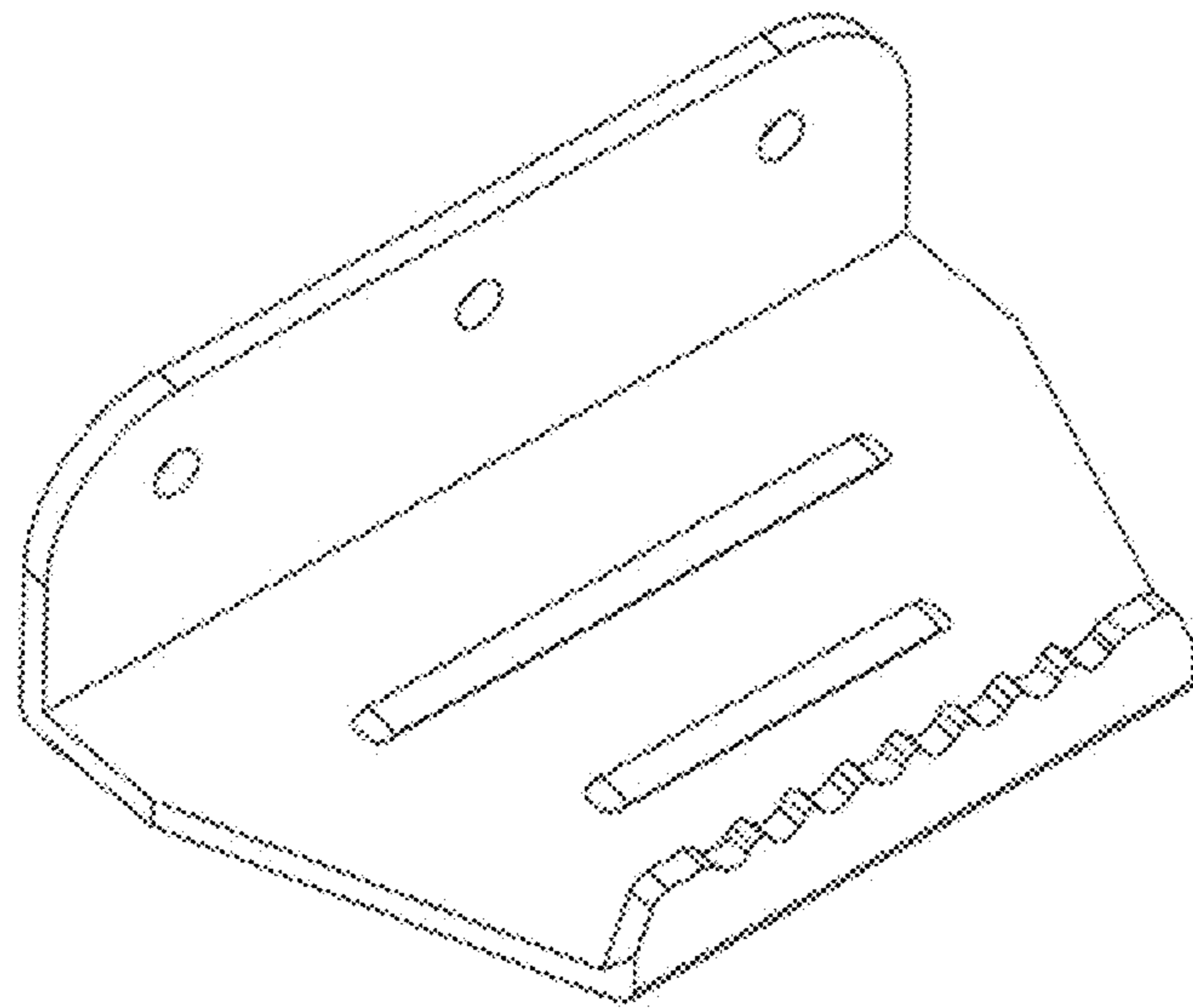


FIG. 1

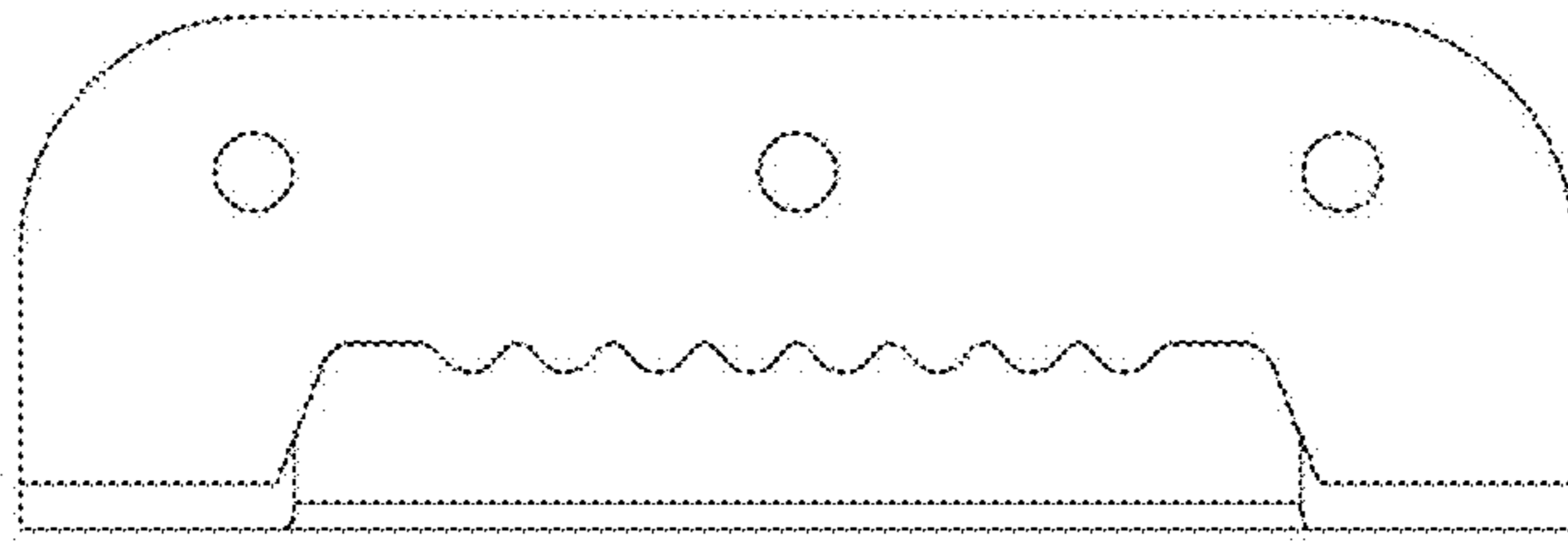


FIG.2

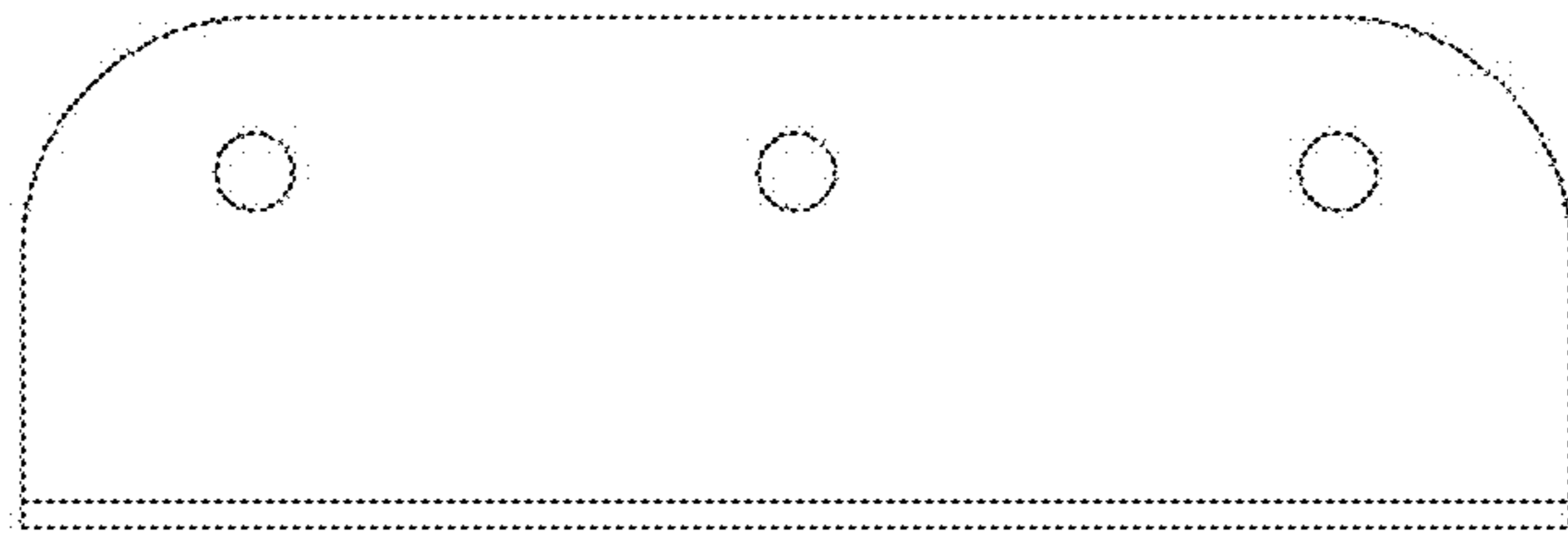


FIG.3



FIG.4

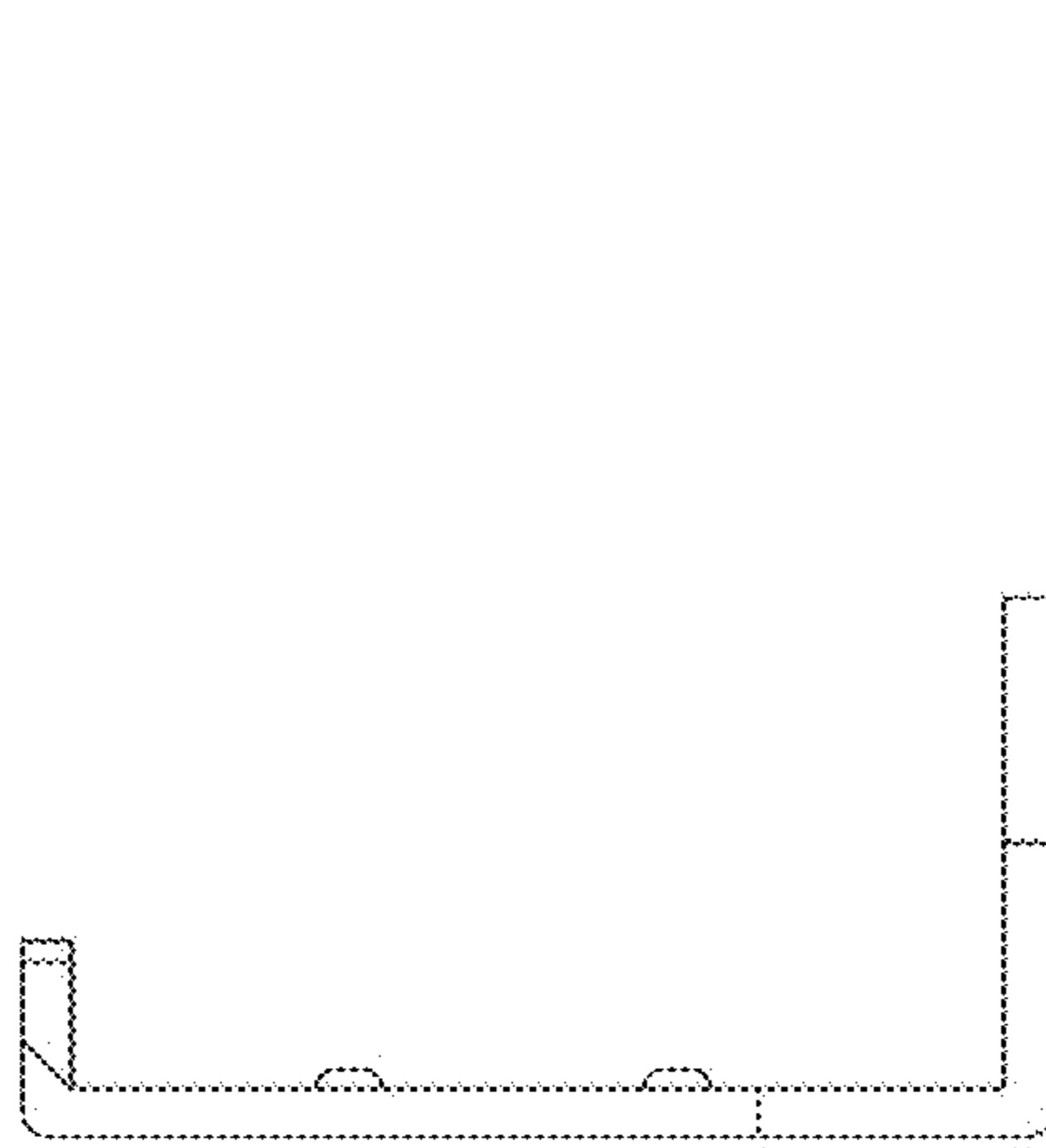


FIG.5

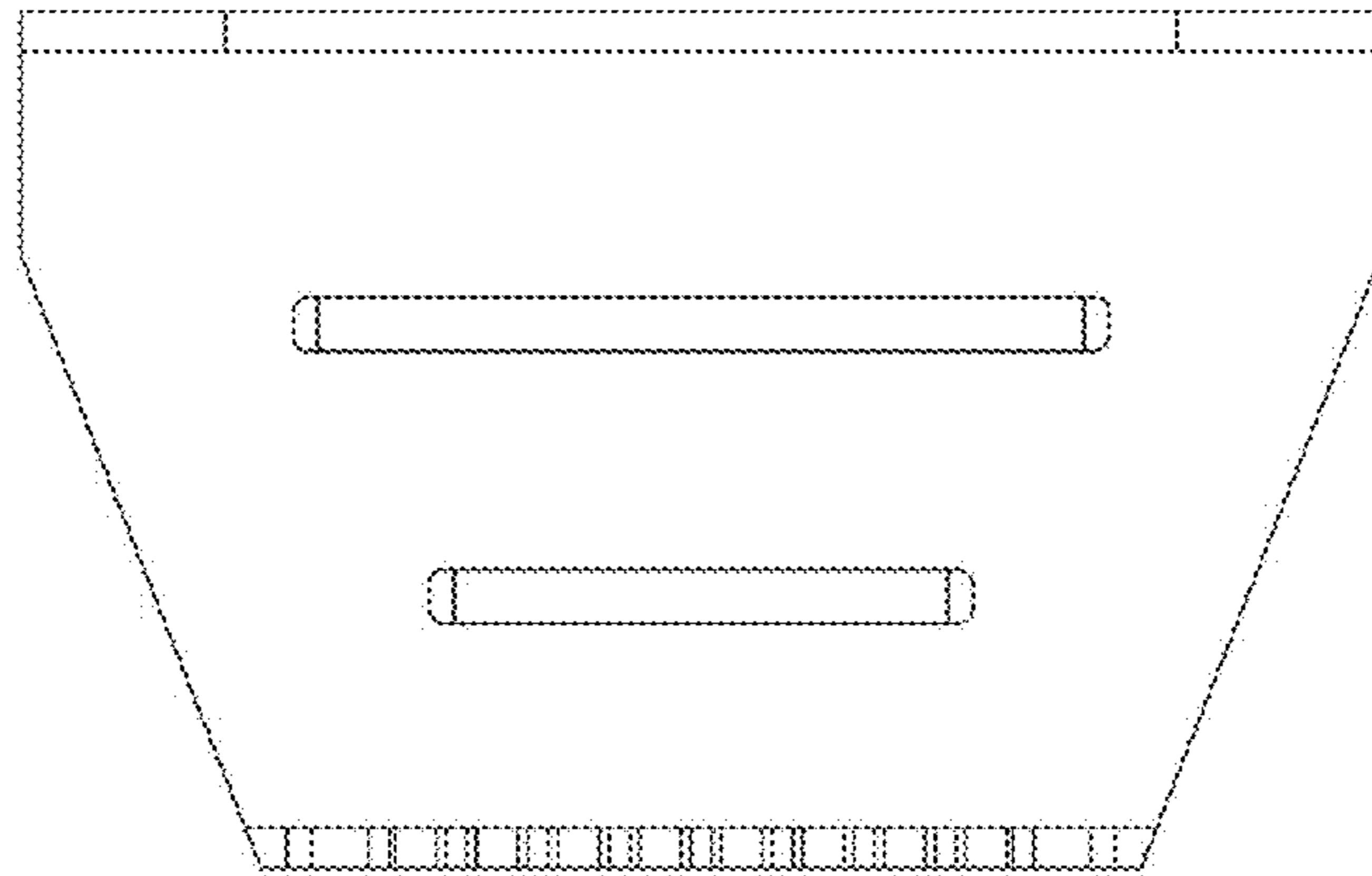


FIG.6

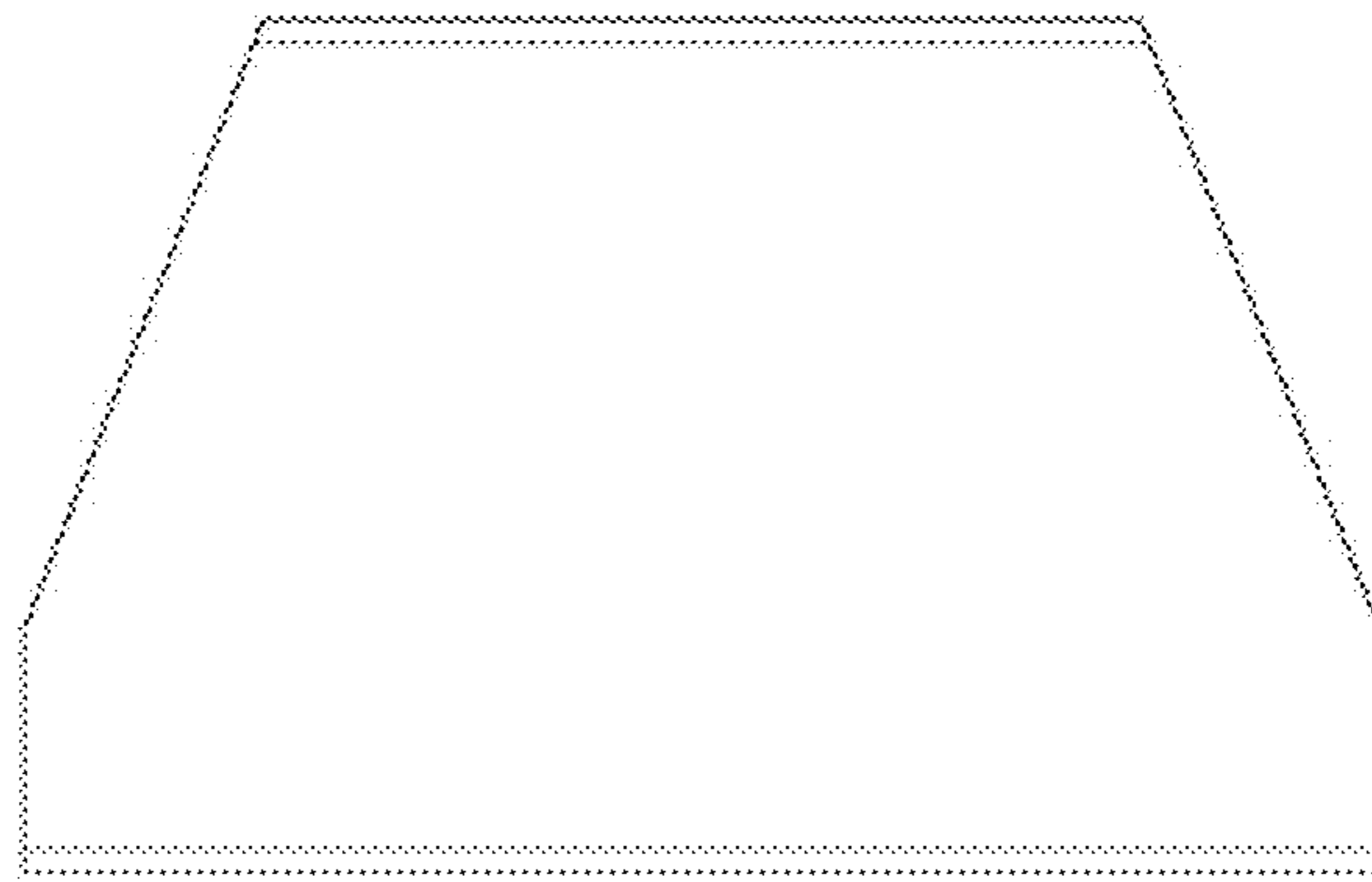


FIG.7