



US00D939934S

(12) **United States Design Patent**
Gilner et al.

(10) **Patent No.:** **US D939,934 S**
(45) **Date of Patent:** **** Jan. 4, 2022**

(54) **SPACER WHEEL FOR POURED CONCRETE REINFORCEMENT MEMBERS**

(71) Applicant: **Inland Concrete Products, Inc.**,
Fontana, CA (US)

(72) Inventors: **John H. Gilner**, Santa Barbara, CA
(US); **G. Douglas Hartzheim**,
Bozeman, MT (US); **Steven R. Wilbur**,
Yucaipa, CA (US)

(73) Assignee: **INLAND CONCRETE PRODUCTS,
INC.**, Fontana, CA (US)

(**) Term: **15 Years**

(21) Appl. No.: **29/732,529**

(22) Filed: **Apr. 24, 2020**

(51) **LOC (13) Cl.** **08-05**

(52) **U.S. Cl.**
USPC **D8/354**

(58) **Field of Classification Search**
USPC D8/349, 354, 355, 363; D10/61, 64;
D25/113, 199

(Continued)

(56) **References Cited**

U.S. PATENT DOCUMENTS

- 3,280,529 A * 10/1966 Reuss E04C 5/203
52/689
- 3,348,347 A * 10/1967 Berry E04C 5/203
52/309.1

(Continued)

Primary Examiner — Keli L Hill

Assistant Examiner — Harold E Blackwell, II

(74) *Attorney, Agent, or Firm* — Klein, O'Neill & Singh,
LLP

(57) **CLAIM**

The ornamental design for a spacer wheel for poured concrete reinforcement members, as shown.

DESCRIPTION

FIG. 1 is a perspective view, taken from the top, front, and right side, of a spacer wheel for poured concrete reinforcement members, in accordance with a first embodiment of our new design.

FIG. 2 is a perspective view, taken from the bottom, front, and left side, of the spacer wheel for poured concrete reinforcement members shown in FIG. 1.

FIG. 3 is a front elevation view of the spacer wheel for poured concrete reinforcement members shown in FIG. 1.

FIG. 4 is a rear elevation view of the spacer wheel for poured concrete reinforcement members shown in FIG. 1.

FIG. 5 is a right side elevation view of the spacer wheel for poured concrete reinforcement members shown in FIG. 1.

FIG. 6 is a left side elevation view of the spacer wheel for poured concrete reinforcement members shown in FIG. 1.

FIG. 7 is a top plan view of the spacer wheel for poured concrete reinforcement members shown in FIG. 1.

FIG. 8 is bottom plan view of the spacer wheel for poured concrete reinforcement members shown in FIG. 1.

FIG. 9 is a perspective view, taken from the top, front, and right side, of a spacer wheel for poured concrete reinforcement members, in accordance with a second embodiment of our new design.

FIG. 10 is a perspective view, taken from the bottom, front, and left side, of the spacer wheel for poured concrete reinforcement members shown in FIG. 9.

FIG. 11 is a front elevation view of the spacer wheel for poured concrete reinforcement members shown in FIG. 9.

FIG. 12 is a rear elevation view of the spacer wheel for poured concrete reinforcement members shown in FIG. 9.

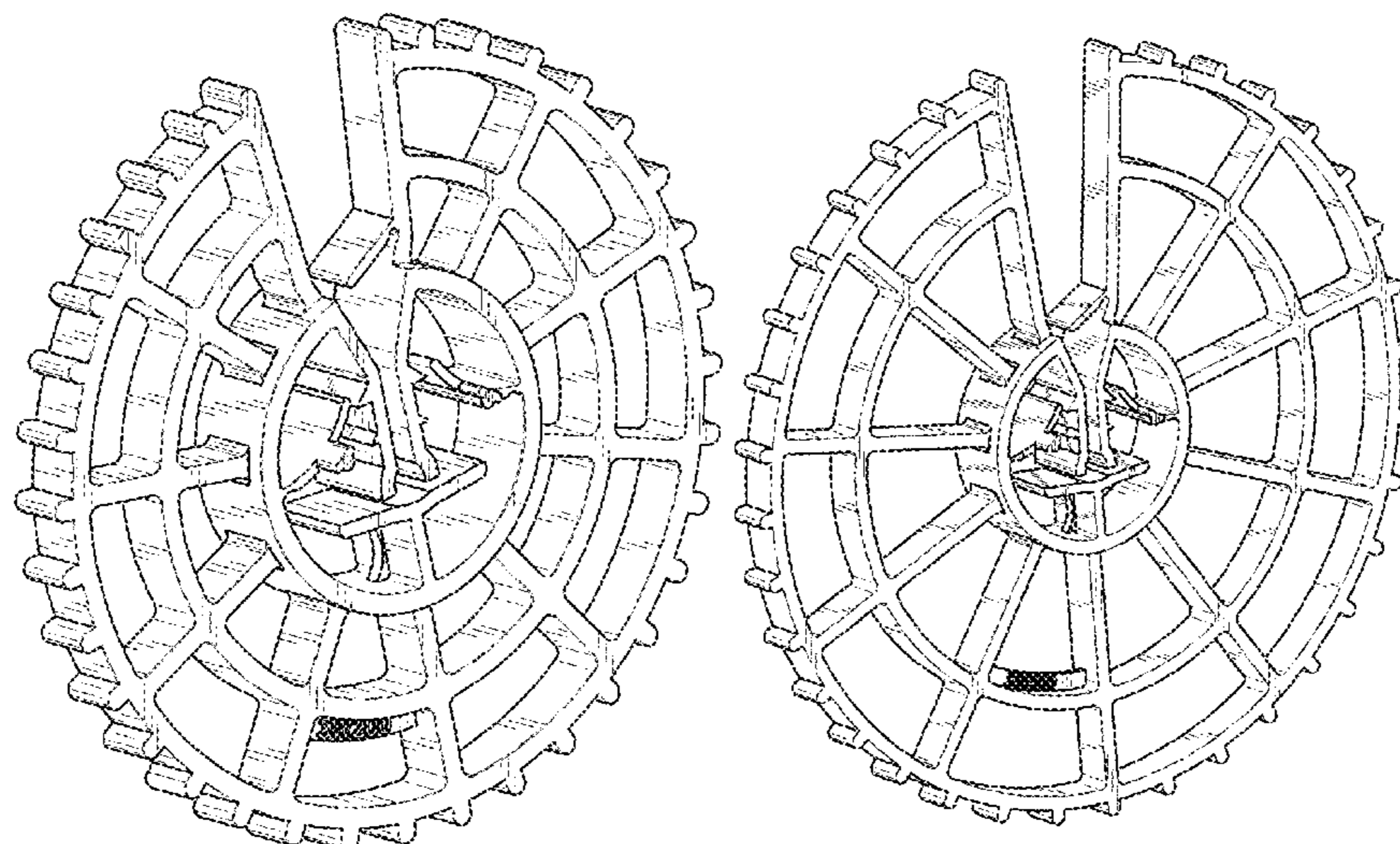
FIG. 13 is a right side elevation view of the spacer wheel for poured concrete reinforcement members shown in FIG. 9.

FIG. 14 is a left side elevation view of the spacer wheel for poured concrete reinforcement members shown in FIG. 9.

FIG. 15 is a top plan view of the spacer wheel for poured concrete reinforcement members shown in FIG. 9; and,

FIG. 16 is bottom plan view of the spacer wheel for poured concrete reinforcement members shown in FIG. 9.

1 Claim, 8 Drawing Sheets



(58) **Field of Classification Search**

CPC E04F 15/02464; E04F 15/02494; E04F
15/02452; E04F 21/0092

See application file for complete search history.

(56) **References Cited**

U.S. PATENT DOCUMENTS

D223,701 S * 5/1972 Lausch D8/356
D239,004 S * 3/1976 Chope D8/358
5,347,787 A * 9/1994 Gavin E04C 5/203
248/74.3
D468,188 S * 1/2003 Foster, Jr. D8/354
7,451,579 B2 * 11/2008 Azarin E04C 5/203
248/74.3
7,726,090 B2 * 6/2010 Verelli E04C 5/203
52/649.8
8,327,599 B2 * 12/2012 Gavin E04C 5/203
52/677
9,745,752 B2 * 8/2017 Strabala E04C 5/208
D800,063 S * 10/2017 Li D13/122
D800,064 S * 10/2017 Li D13/122
D800,657 S * 10/2017 Li D13/122
D800,658 S * 10/2017 Li D13/122
D822,456 S * 7/2018 Treas D8/354
D822,457 S * 7/2018 Treas D8/354
D876,928 S * 3/2020 Cramer D8/354
D889,939 S * 7/2020 Bordin D8/354

* cited by examiner

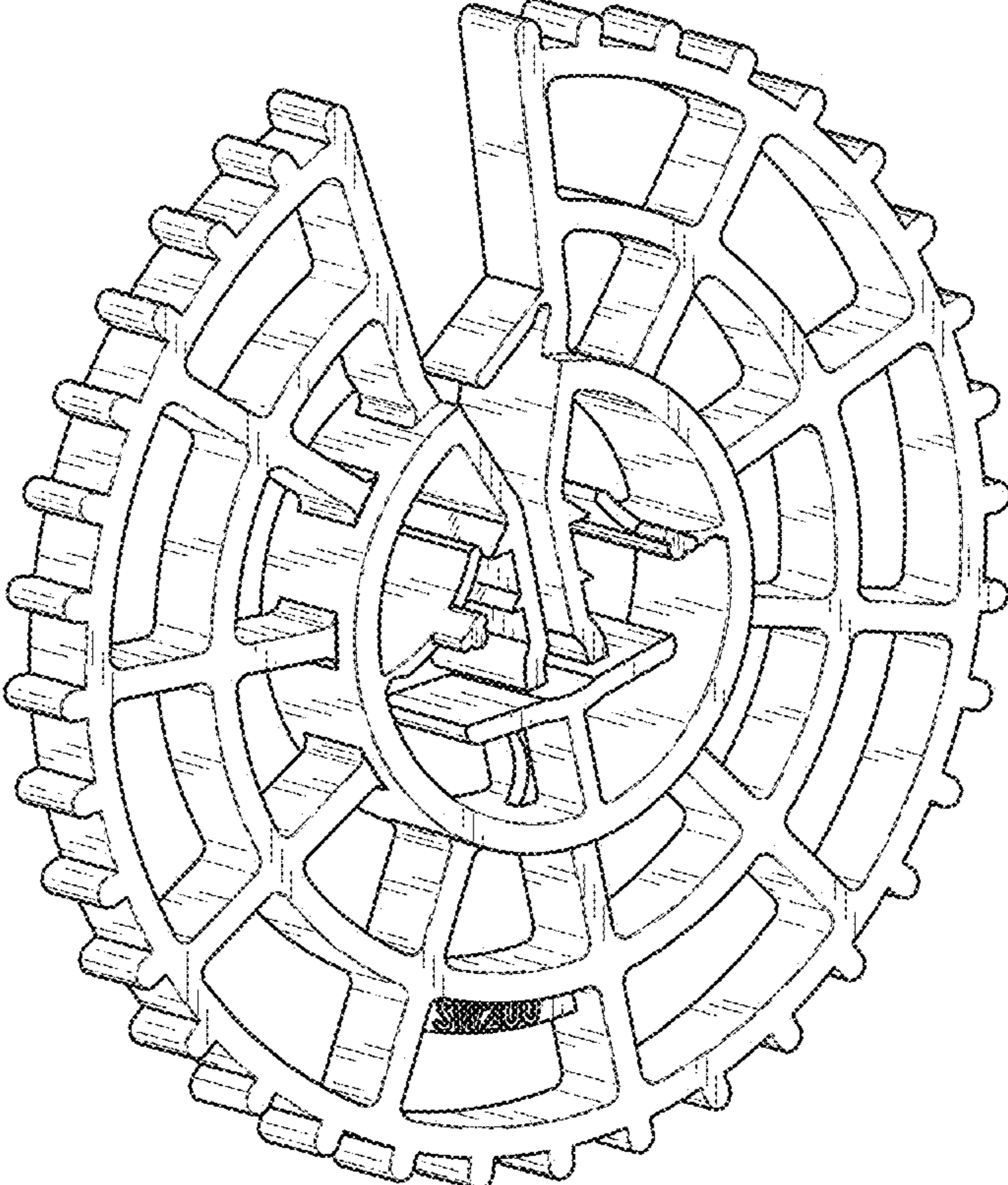


FIG. 1

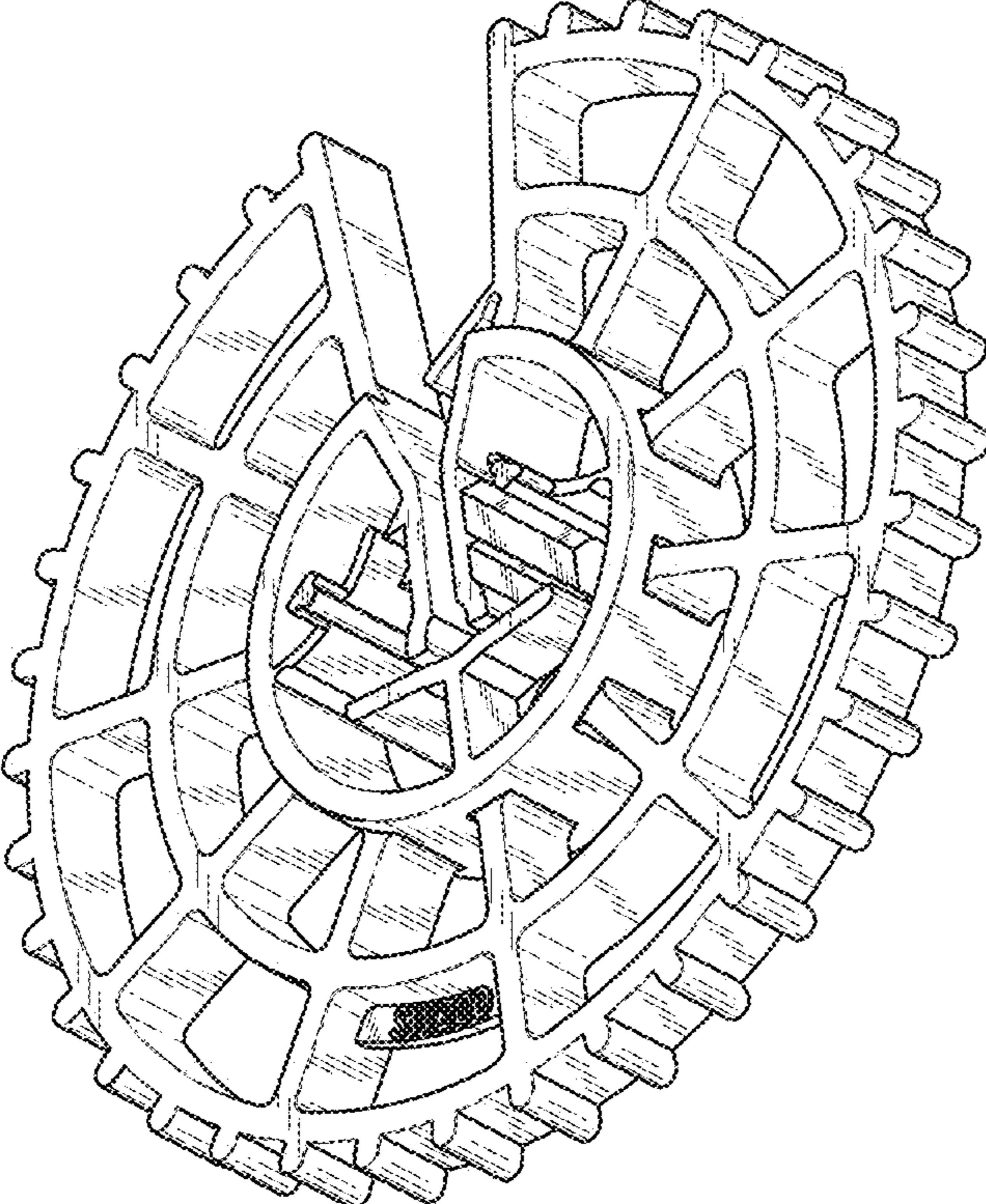


FIG. 2

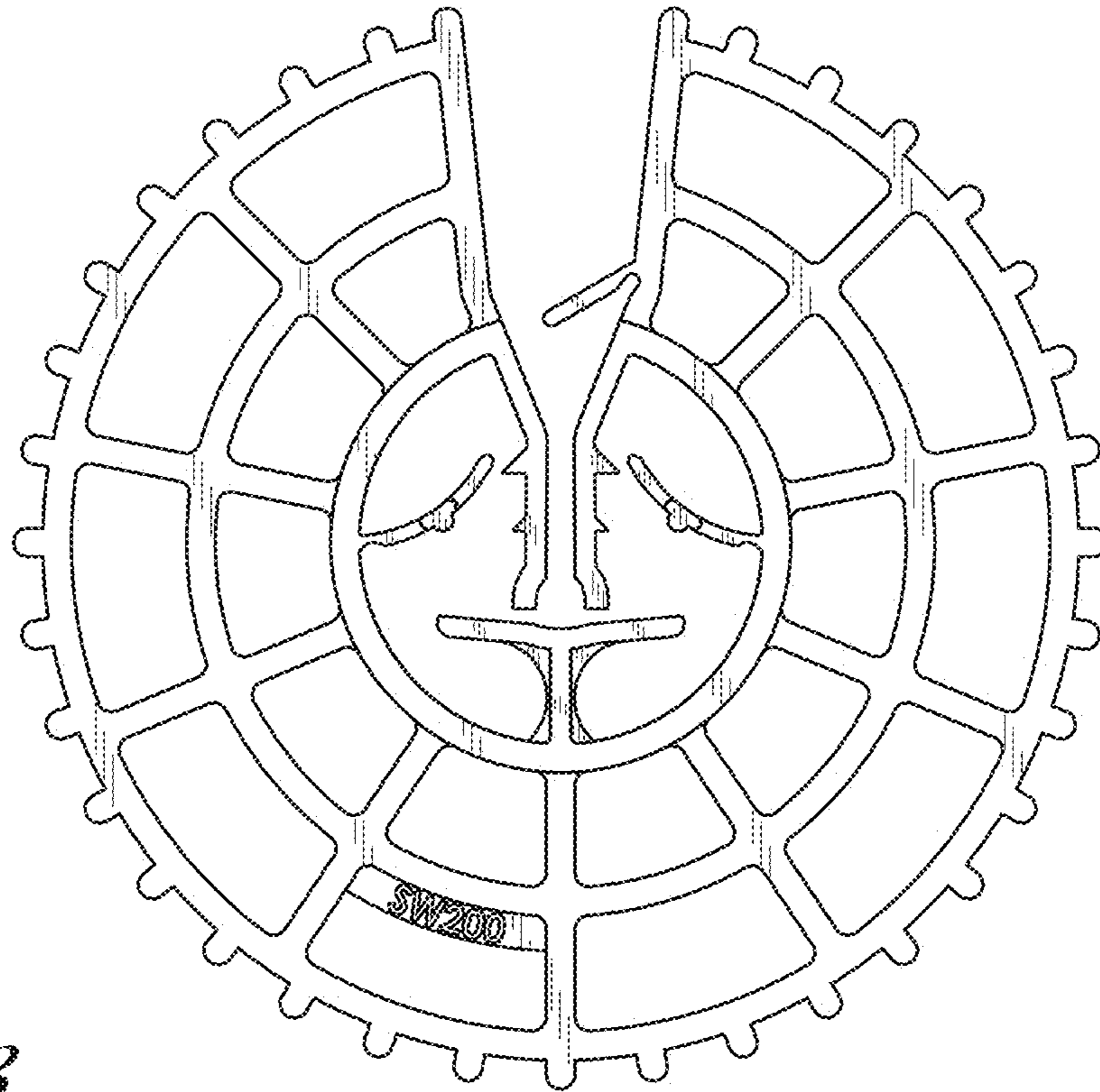


FIG. 3

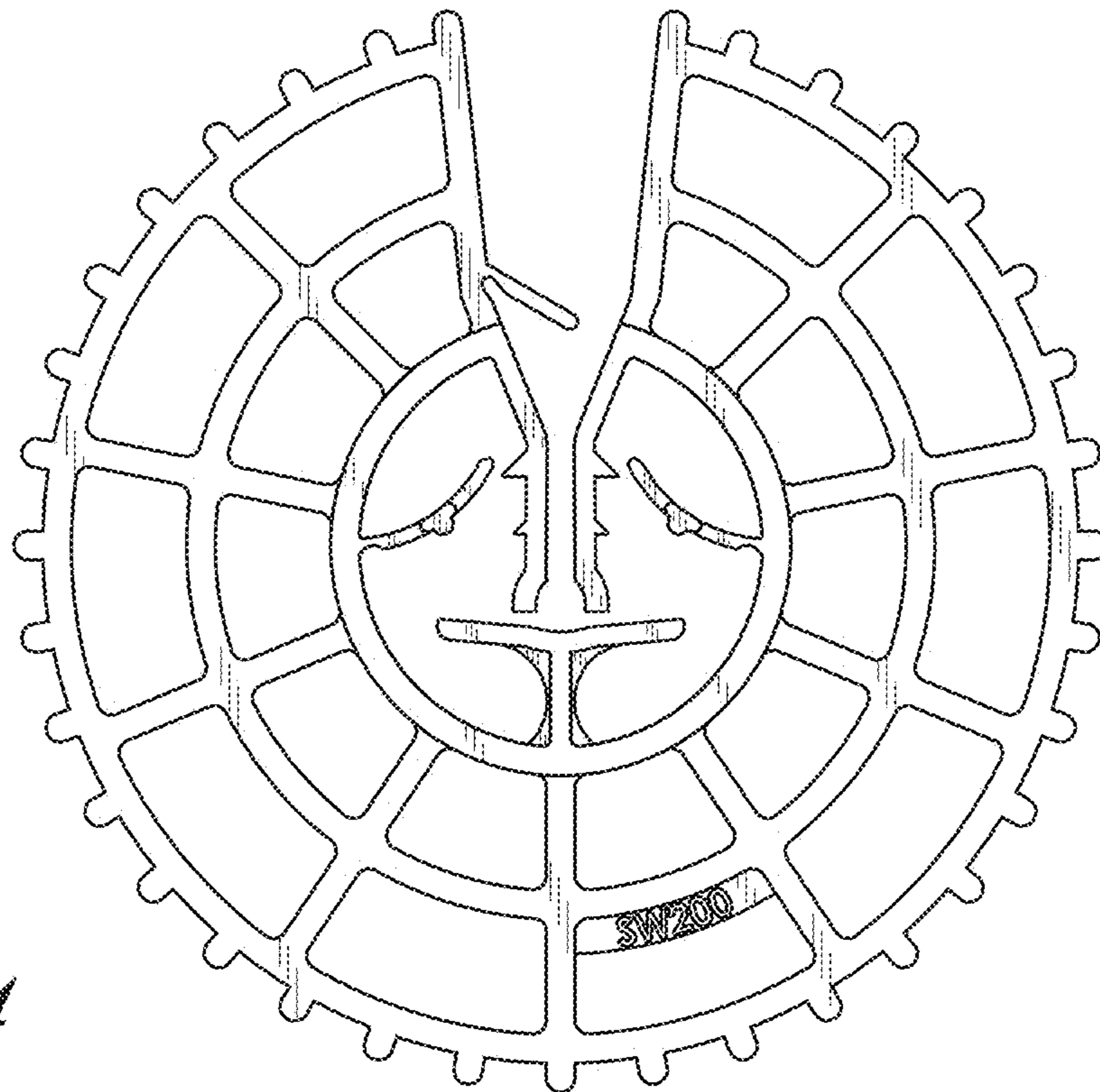


FIG. 4

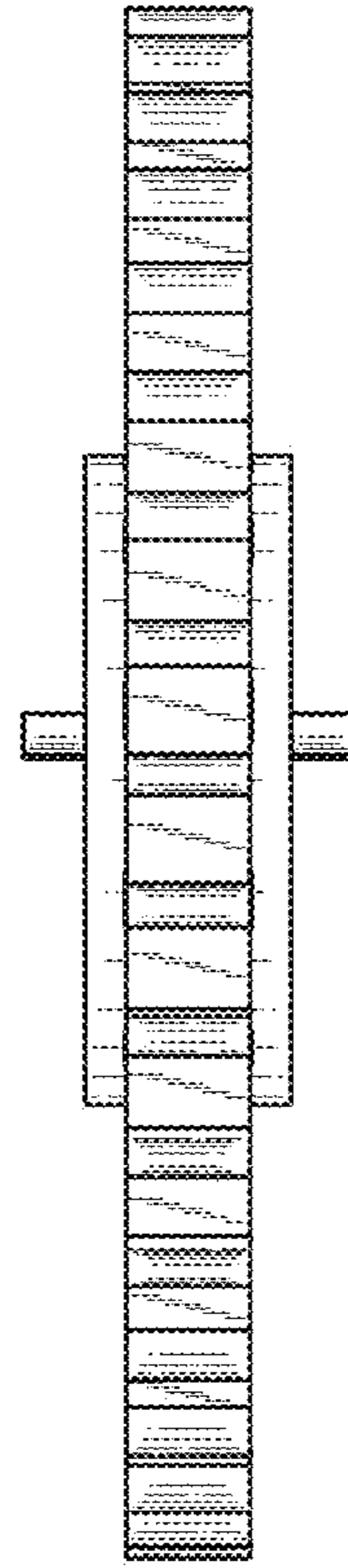


FIG. 5

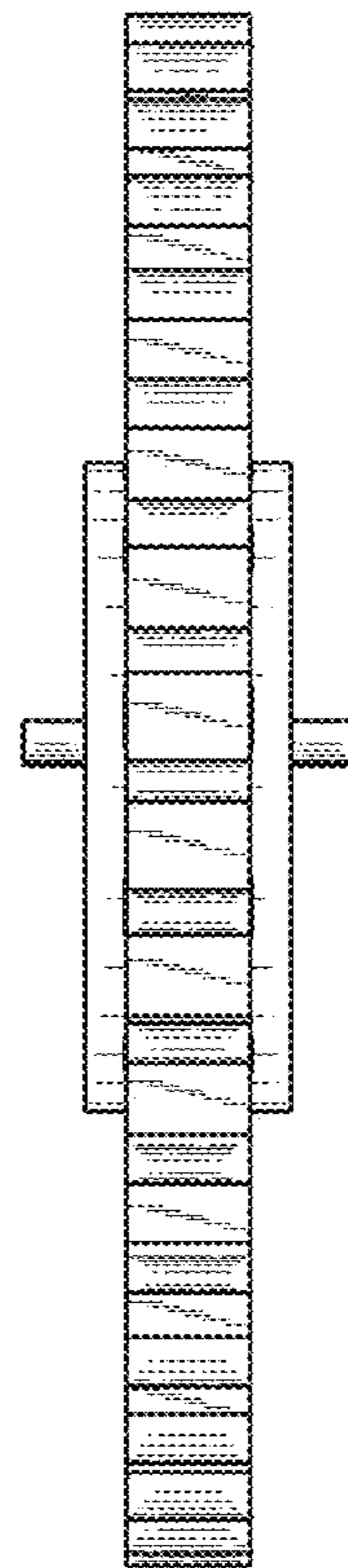


FIG. 6

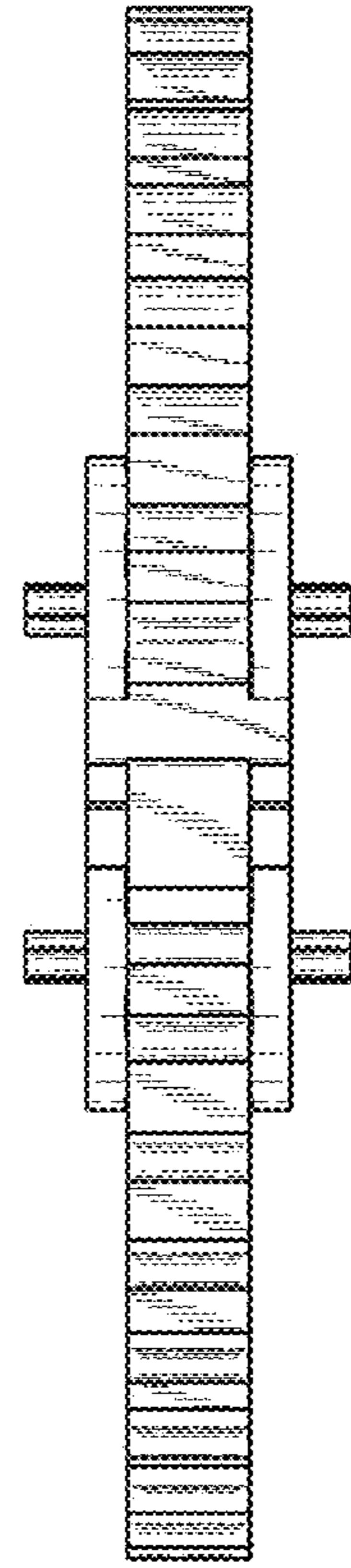


FIG. 7

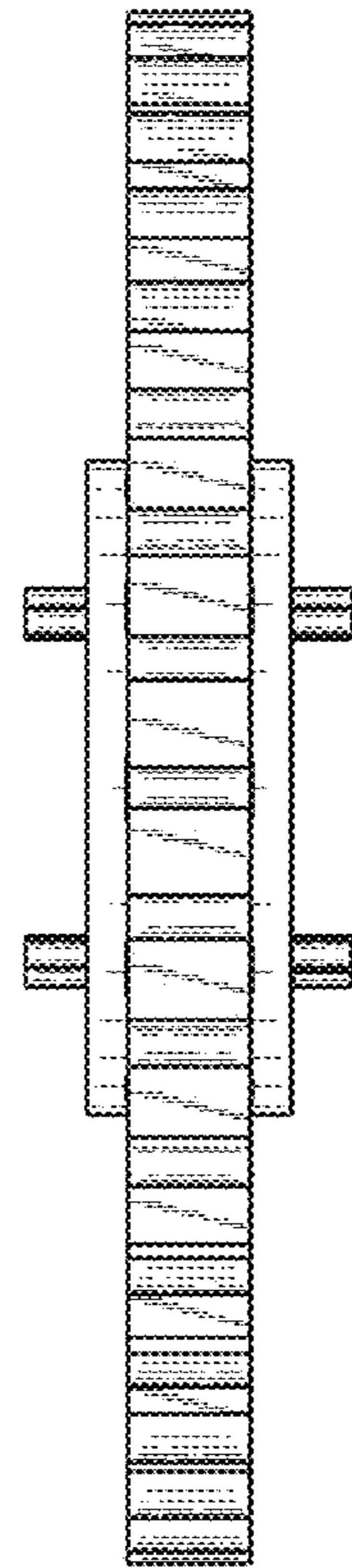


FIG. 8

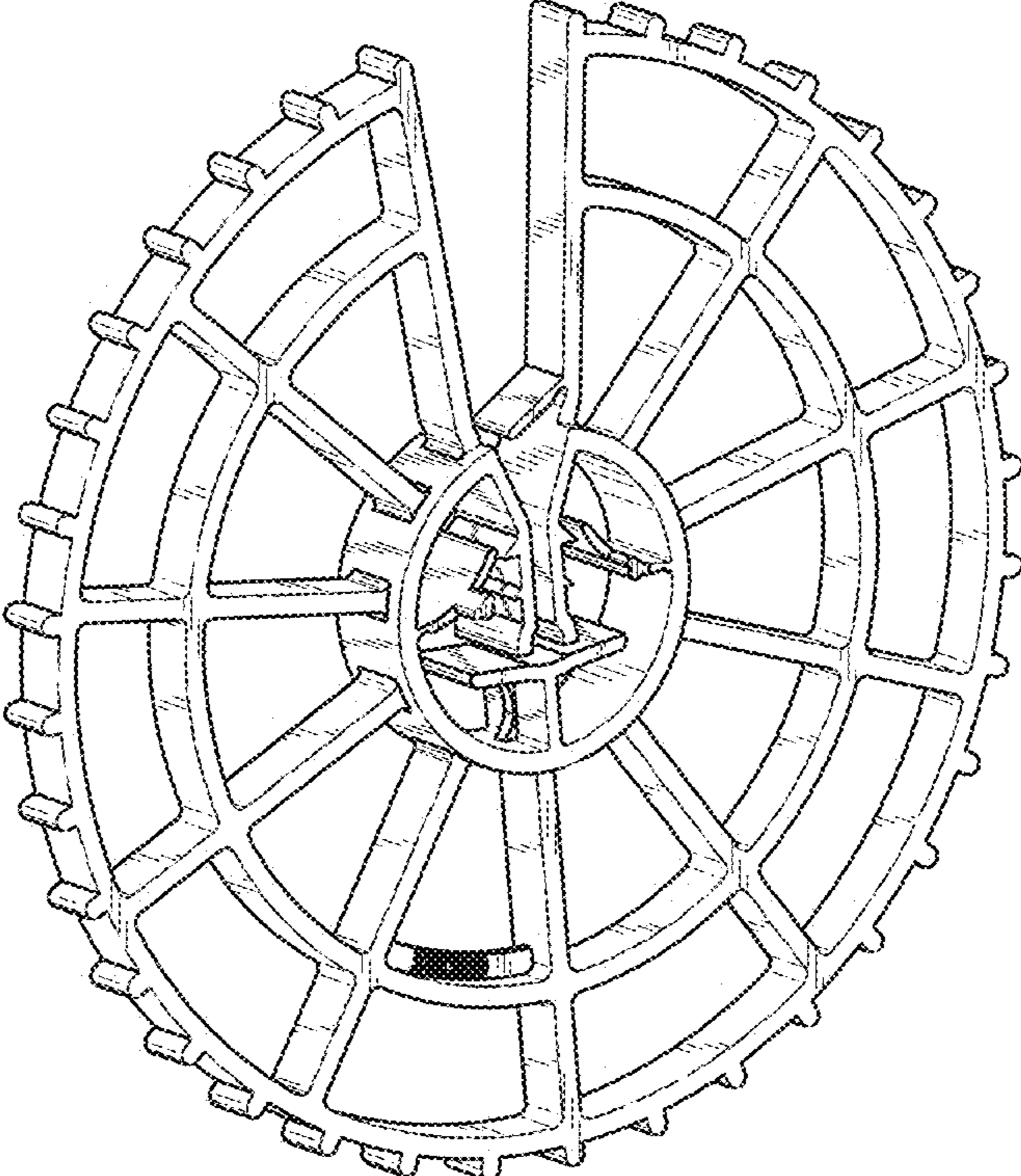


FIG. 9

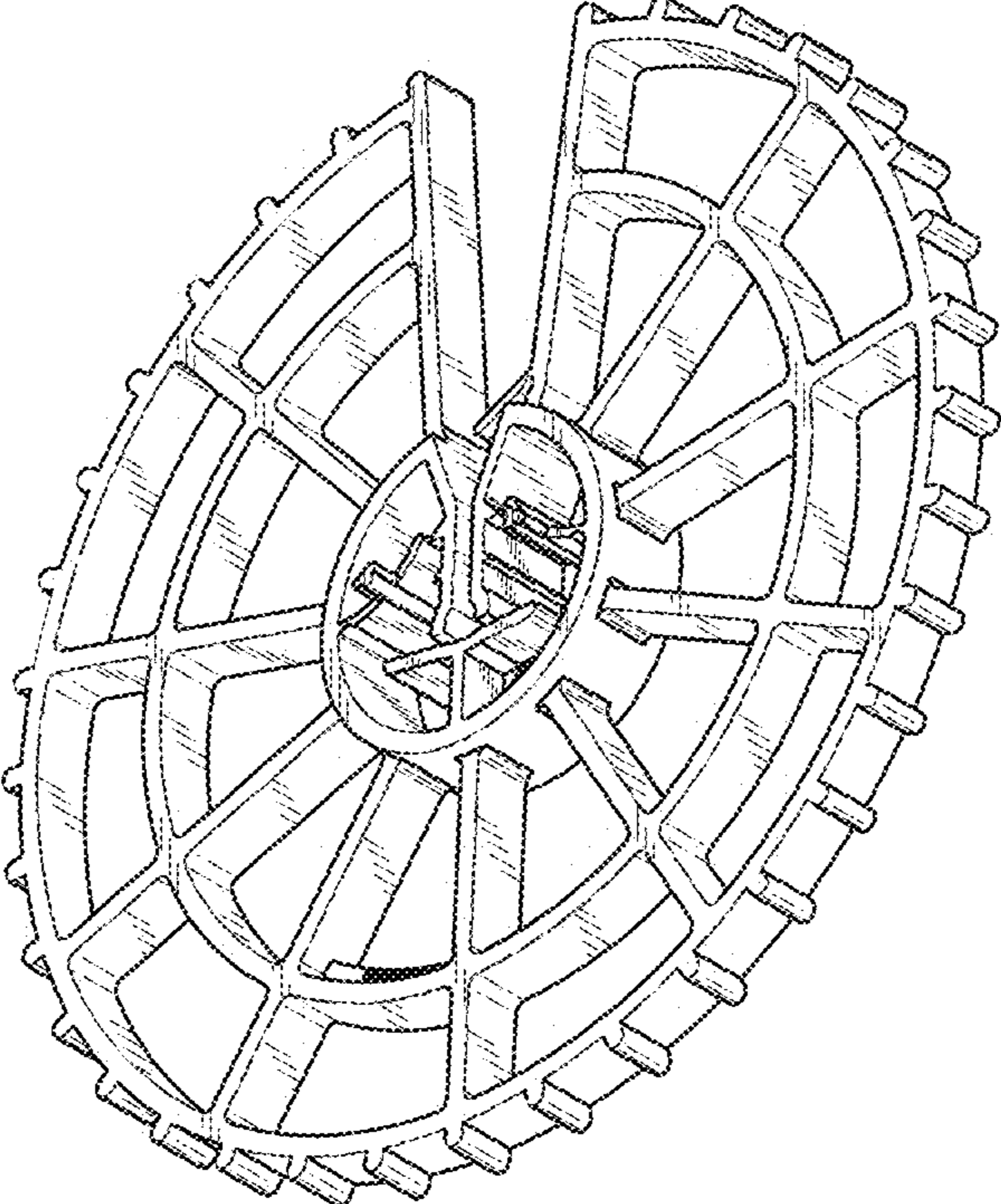


FIG. 10

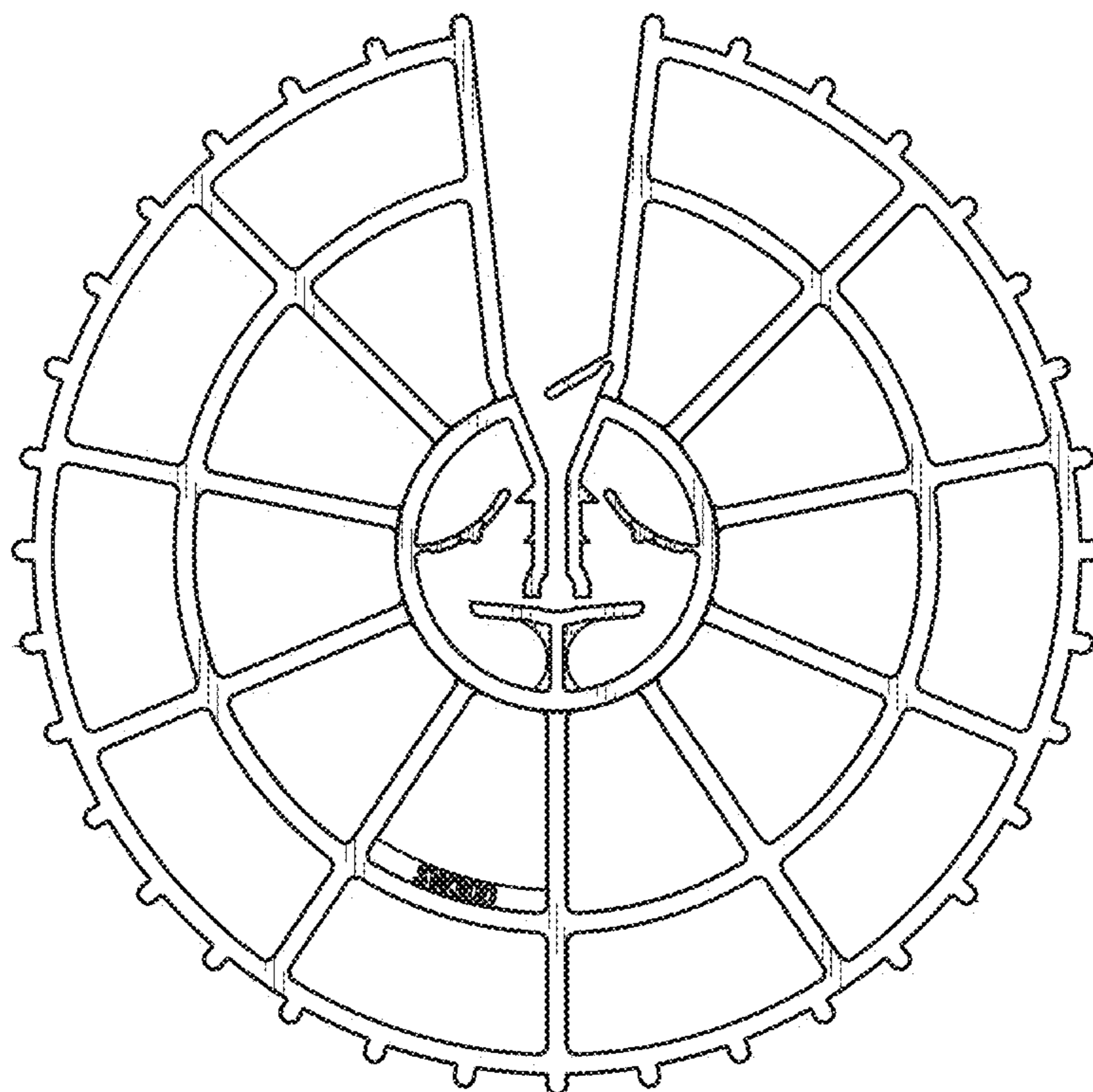


FIG. 11

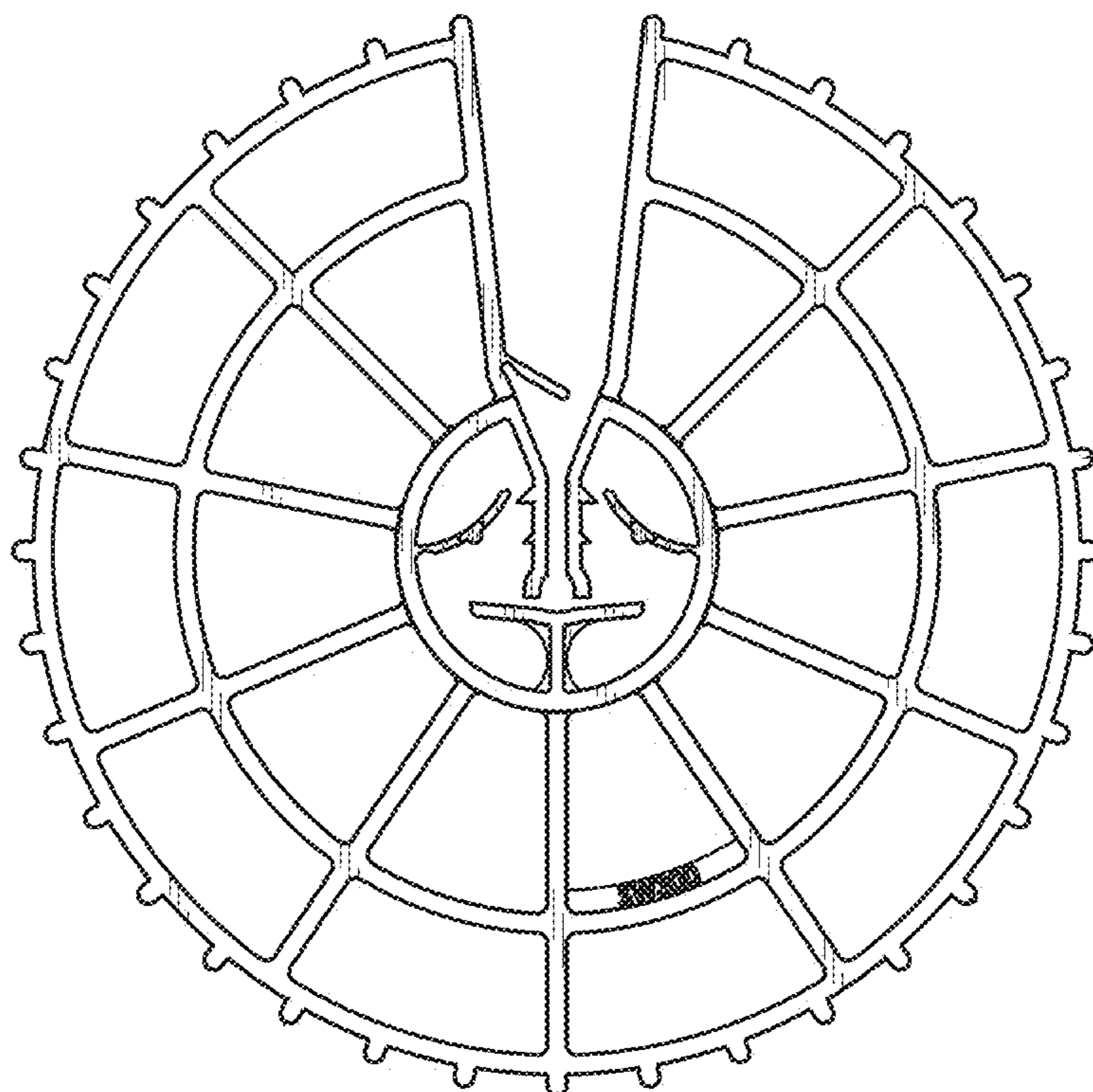


FIG. 12

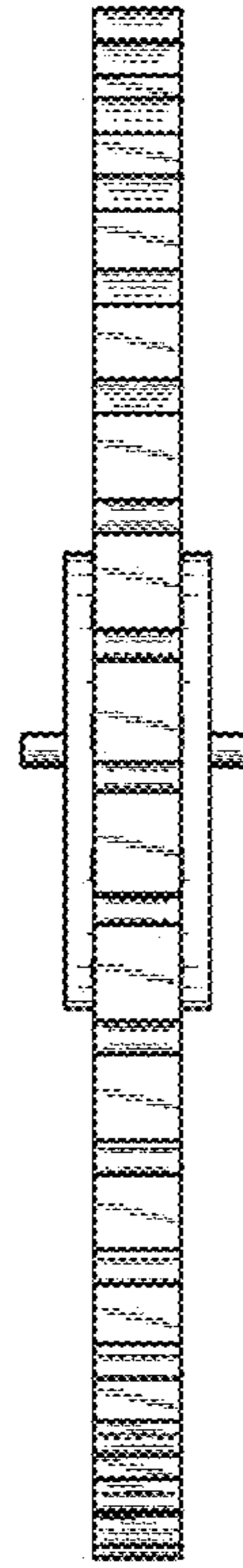


FIG. 13

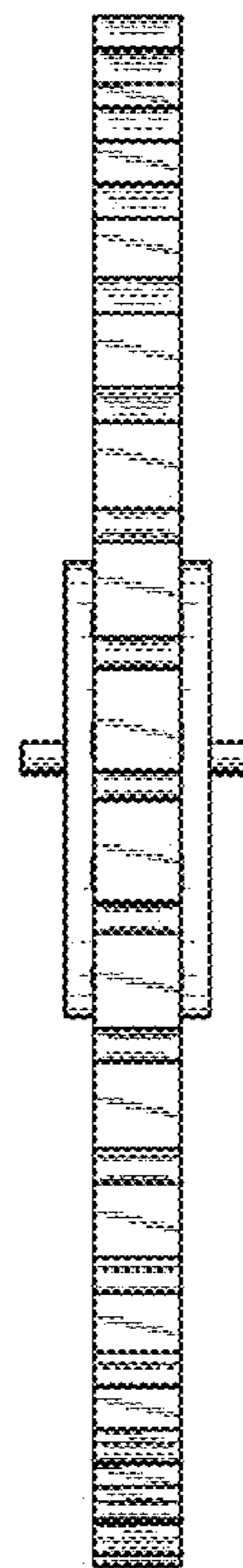


FIG. 14

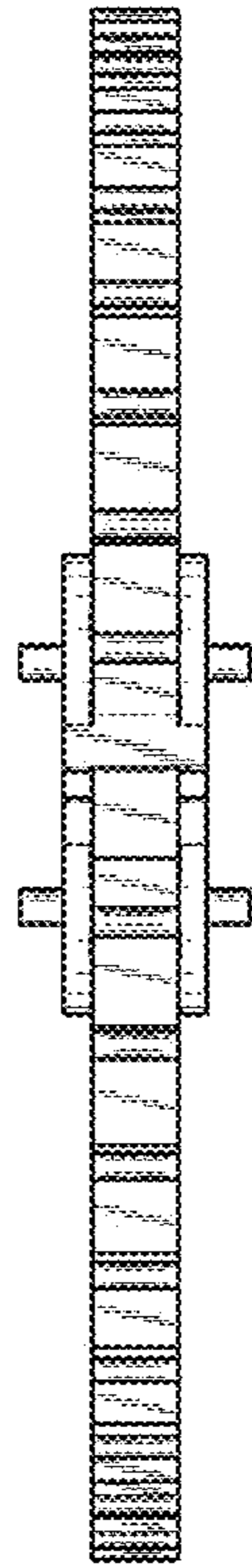


FIG. 15

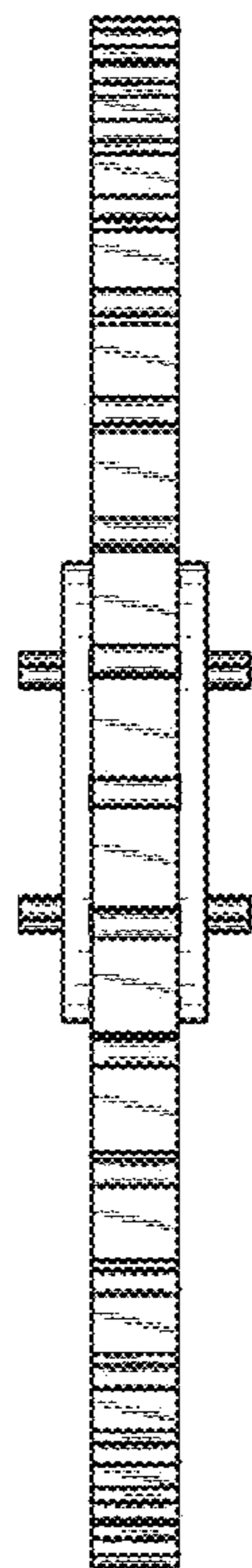


FIG. 16