



US00D939933S

(12) **United States Design Patent**  
**Campbell**

(10) **Patent No.:** **US D939,933 S**  
(45) **Date of Patent:** **\*\* Jan. 4, 2022**

(54) **COMPONENT BRACKET**

(71) Applicant: **JST Performance, LLC**, Gilbert, AZ  
(US)

(72) Inventor: **Joshua S. Campbell**, Gilbert, AZ (US)

(73) Assignee: **JST Performance, LLC**, Gilbert, AZ  
(US)

(\*\*) Term: **15 Years**

(21) Appl. No.: **29/639,082**

(22) Filed: **Mar. 2, 2018**

(51) **LOC (13) Cl.** ..... **08-05**

(52) **U.S. Cl.**  
USPC ..... **D8/354**

(58) **Field of Classification Search**  
USPC ..... D8/354, 349, 352, 355, 371, 383, 396,  
D8/394  
CPC ..... A47G 7/044; G09F 7/20  
See application file for complete search history.

(56) **References Cited**

**U.S. PATENT DOCUMENTS**

D306,964 S *	4/1990	Zupancic	.....	D8/354
D315,861 S *	4/1991	Sachs	.....	248/301
D384,877 S *	10/1997	Perrin	.....	D8/354
D599,193 S *	9/2009	Meyer	.....	D8/354
D657,231 S *	4/2012	Springer	.....	D8/354
D729,043 S *	5/2015	Poppell	.....	D8/354
D839,078 S *	1/2019	Stahl	.....	D8/349
D899,899 S *	10/2020	Macher	.....	D8/354
2014/0284291 A1 *	9/2014	Sandgrund	.....	A47F 5/06 211/85.3

\* cited by examiner

*Primary Examiner* — Keli L Hill

*Assistant Examiner* — Harold E Blackwell, II

(74) *Attorney, Agent, or Firm* — Calfee, Halter &  
Griswold LLP

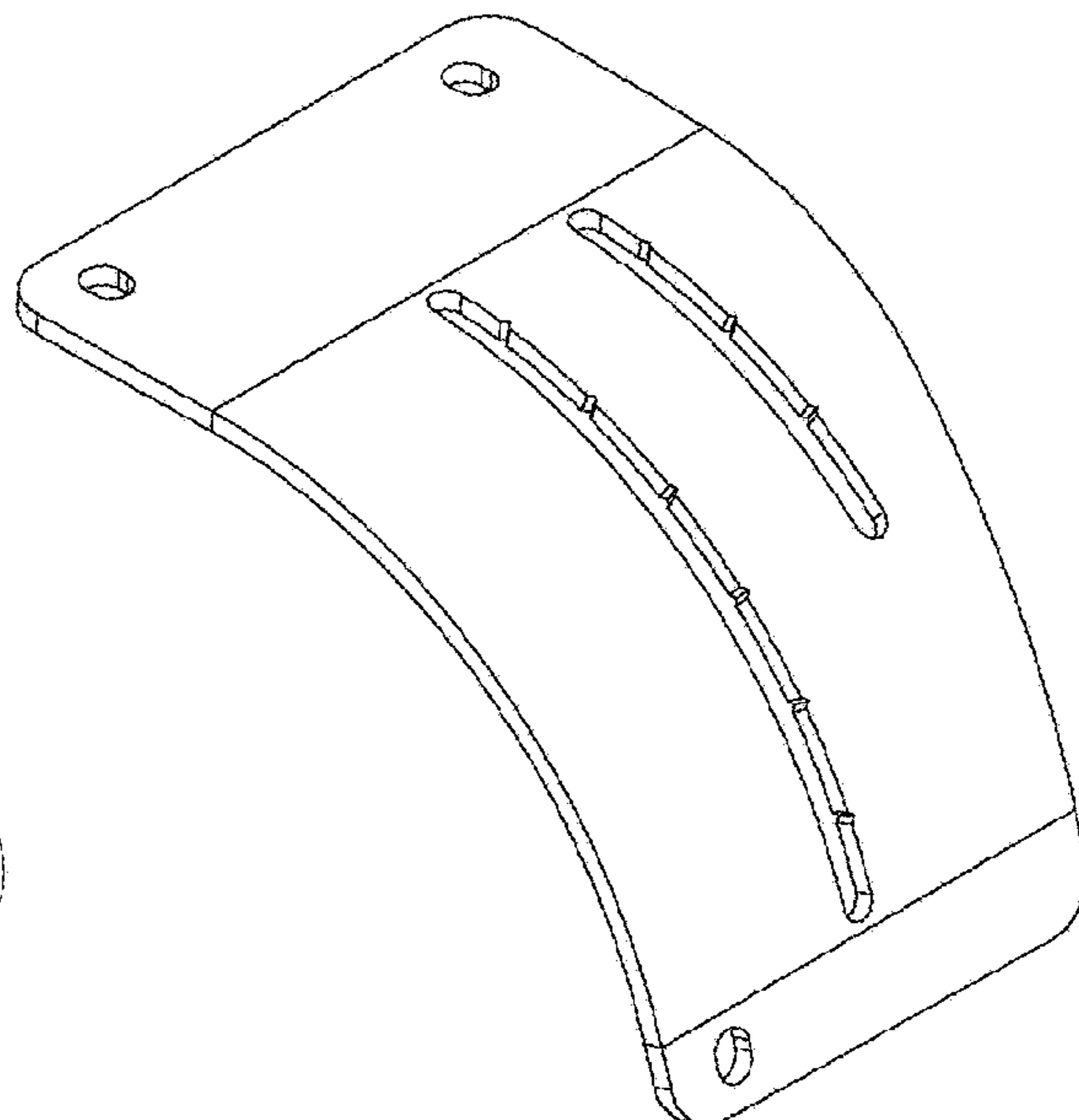
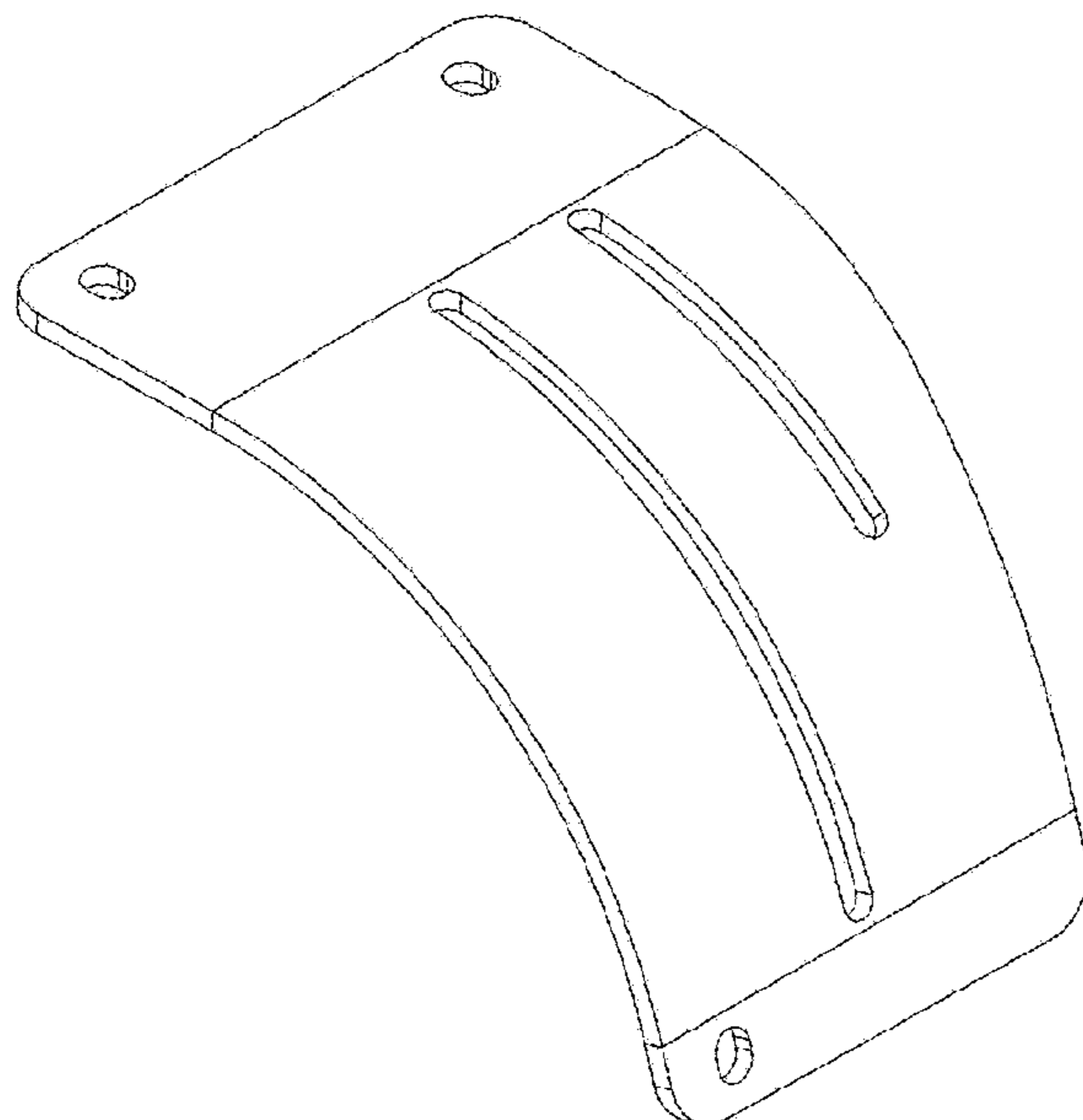
(57) **CLAIM**

The ornamental design for a component bracket, as shown and described.

**DESCRIPTION**

FIG. 1 is a front, top, right, perspective view of a component bracket showing our new design;  
 FIG. 2 is a front, top, left, perspective view thereof;  
 FIG. 3 is a front, bottom, right, perspective view thereof;  
 FIG. 4 is a front, bottom, left, perspective view thereof;  
 FIG. 5 is a back, top, right, perspective view thereof;  
 FIG. 6 is a back, top, left, perspective view thereof;  
 FIG. 7 is a back, bottom, right, perspective view thereof;  
 FIG. 8 is a back, bottom, left perspective view thereof;  
 FIG. 9 is a front side view thereof;  
 FIG. 10 is a back side view thereof;  
 FIG. 11 is a right side view thereof;  
 FIG. 12 is a left side view thereof;  
 FIG. 13 is a top view thereof;  
 FIG. 14 is a bottom view thereof;  
 FIG. 15 is a front, top, right, perspective view of a second embodiment of a component bracket;  
 FIG. 16 is a front, top, left, perspective view thereof;  
 FIG. 17 is a front, bottom, right, perspective view thereof;  
 FIG. 18 is a front, bottom, left, perspective view thereof;  
 FIG. 19 is a back, top, right, perspective view thereof;  
 FIG. 20 is a back, top, left, perspective view thereof;  
 FIG. 21 is a back, bottom, right, perspective view thereof;  
 FIG. 22 is a back, bottom, left perspective view thereof;  
 FIG. 23 is a front side view thereof;  
 FIG. 24 is a back side view thereof;  
 FIG. 25 is a right side view thereof;  
 FIG. 26 is a left side view thereof;  
 FIG. 27 is a top view thereof; and,  
 FIG. 28 is a bottom view thereof.

**1 Claim, 28 Drawing Sheets**



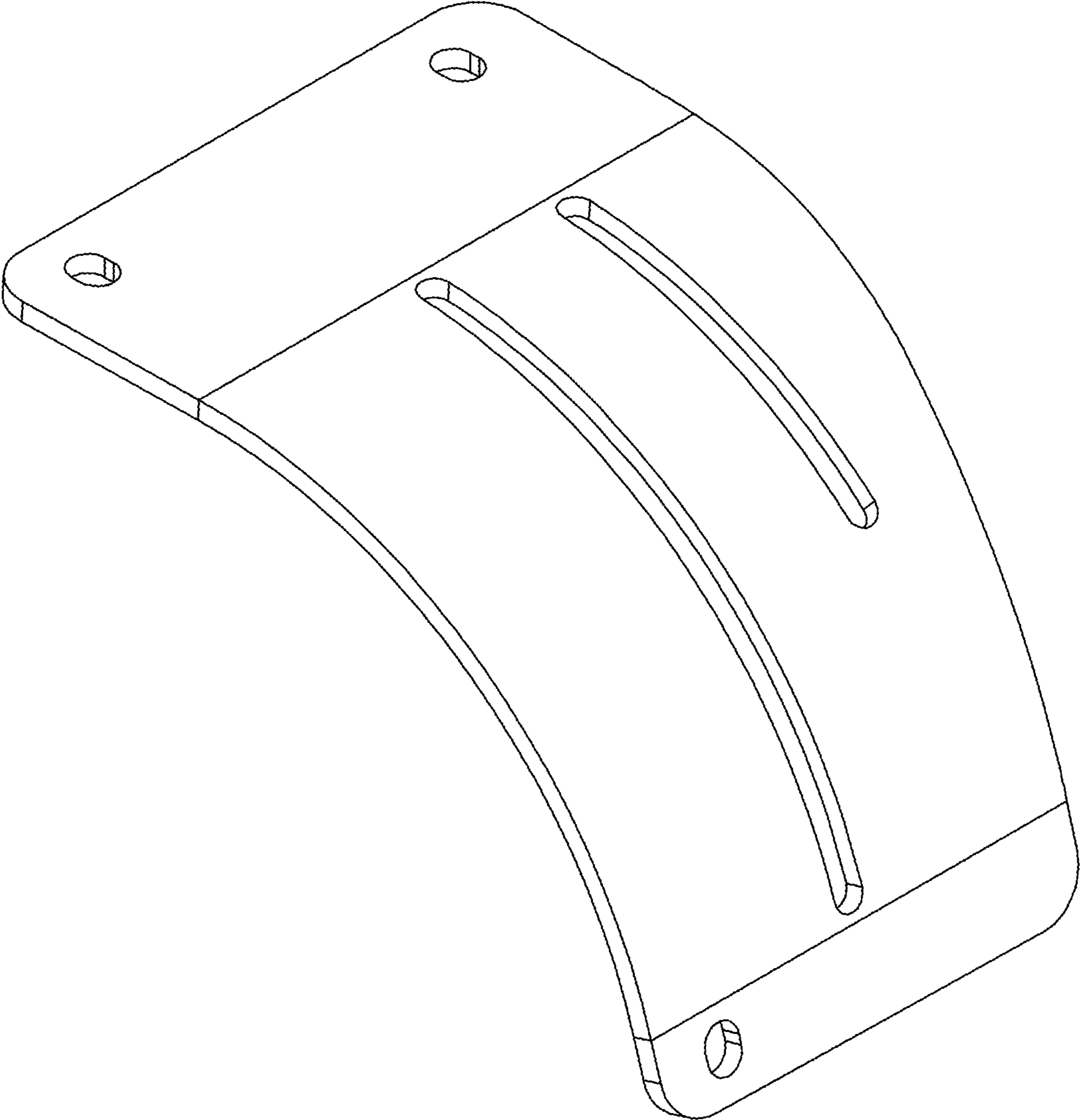


FIG. 1

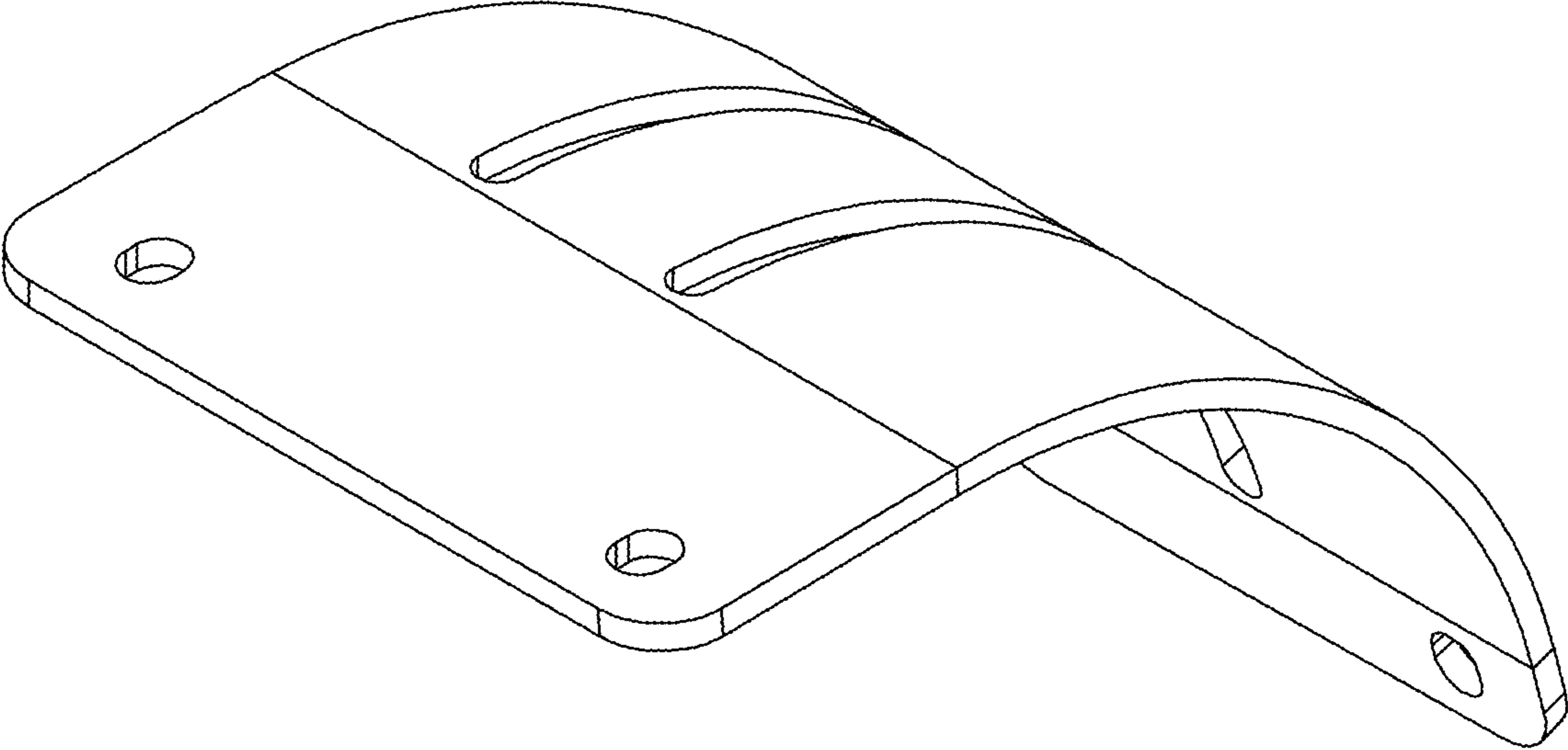


FIG. 2

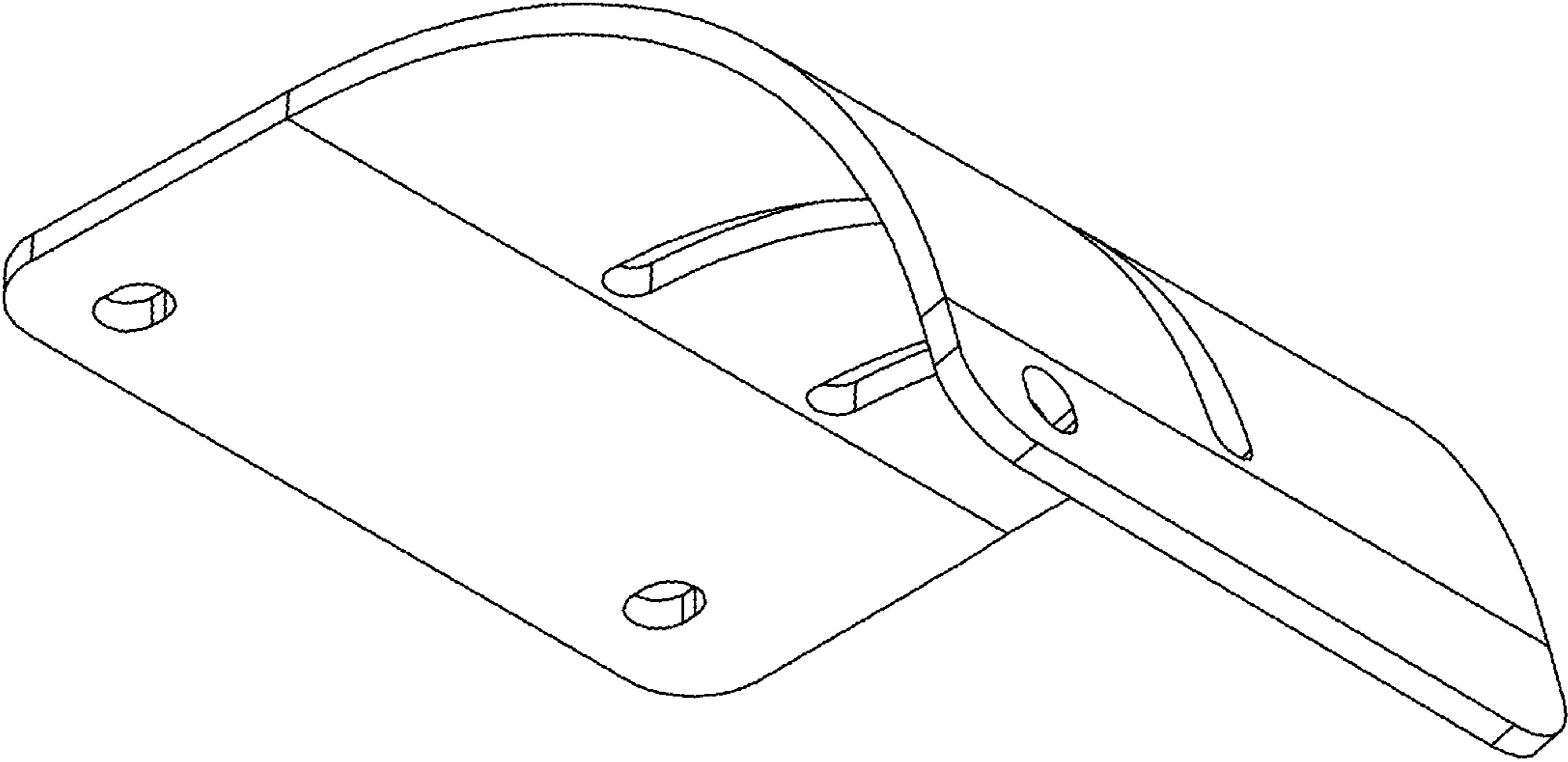


FIG. 3

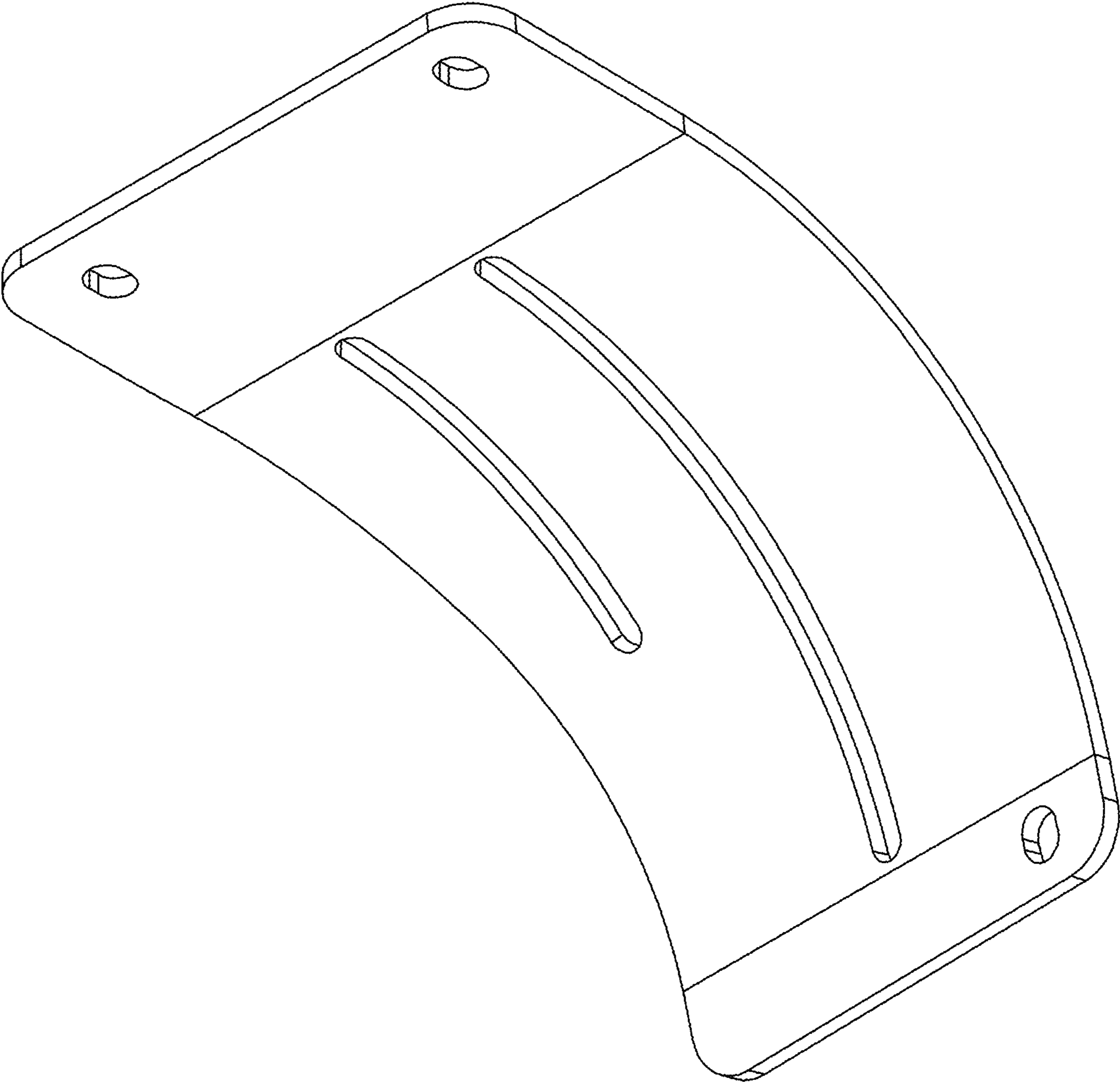


FIG. 4

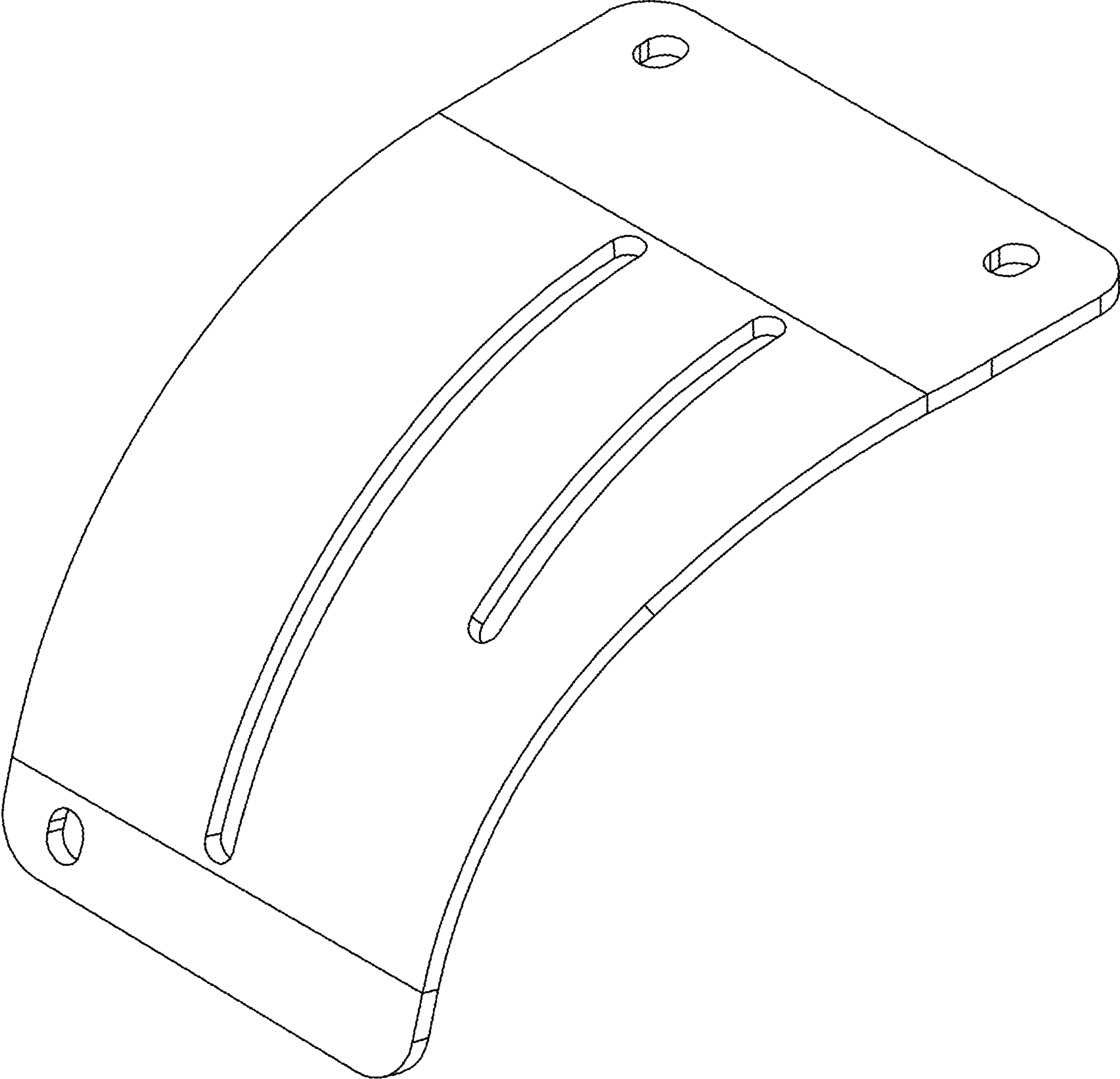


FIG. 5



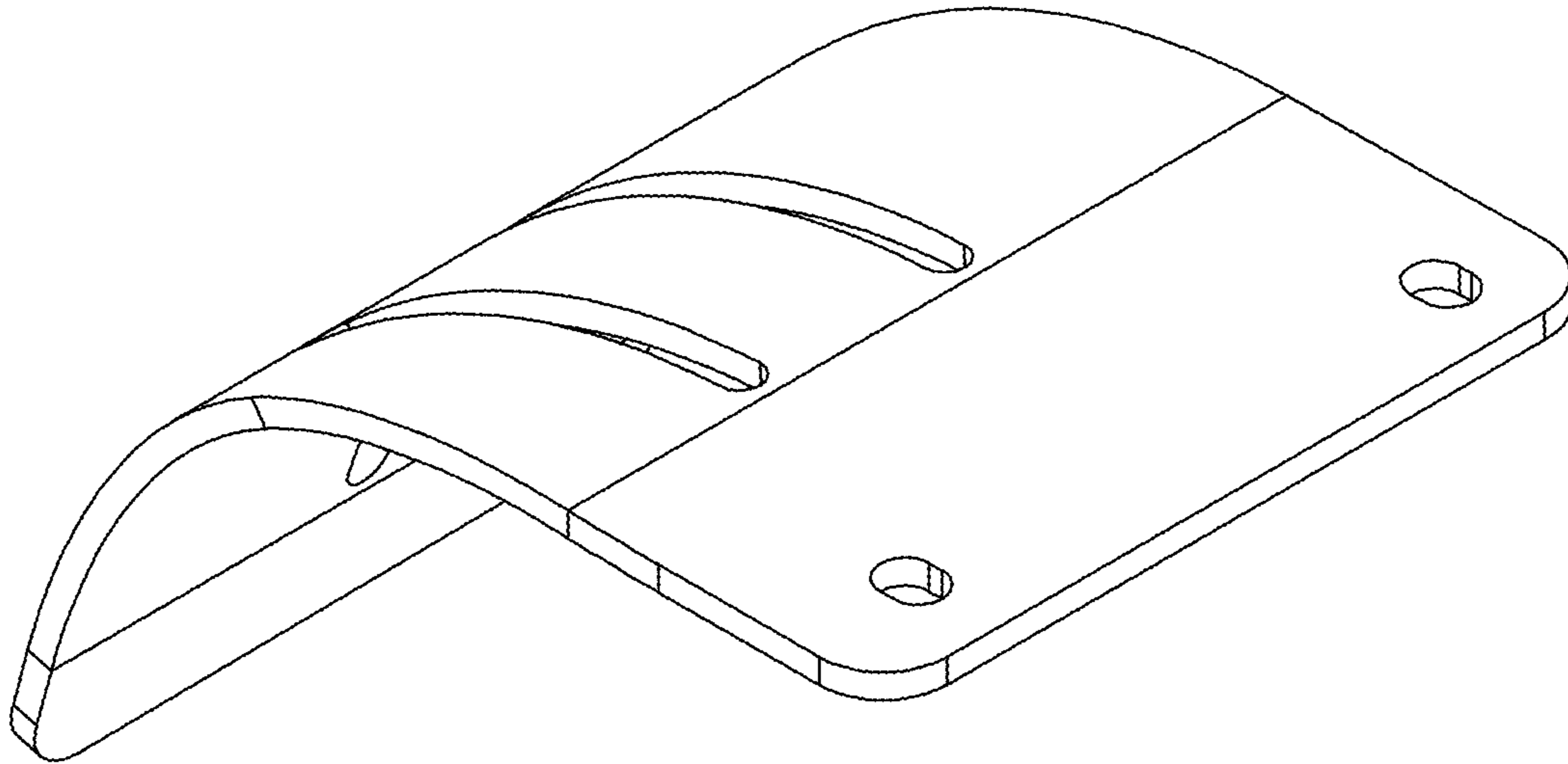


FIG. 6

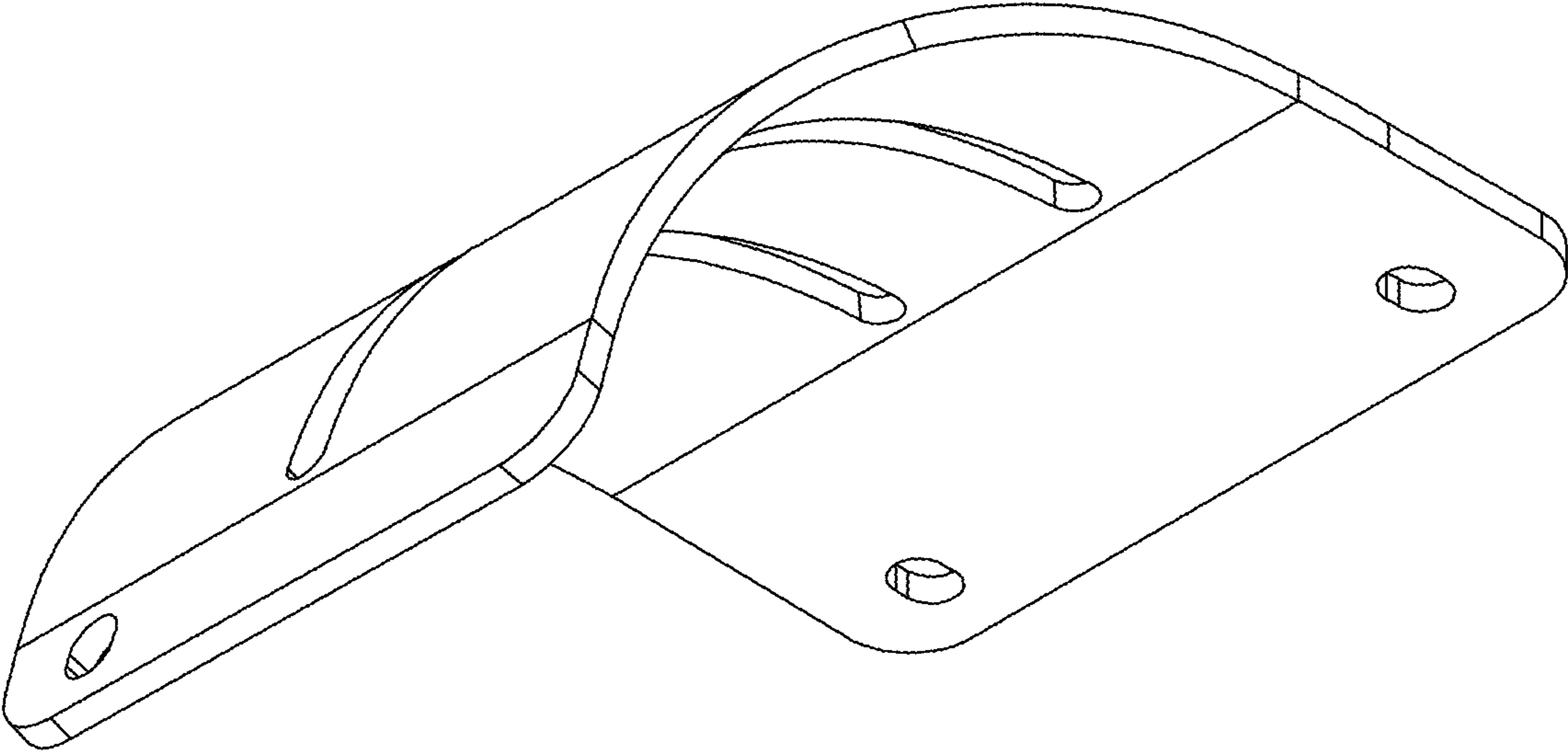


FIG. 7



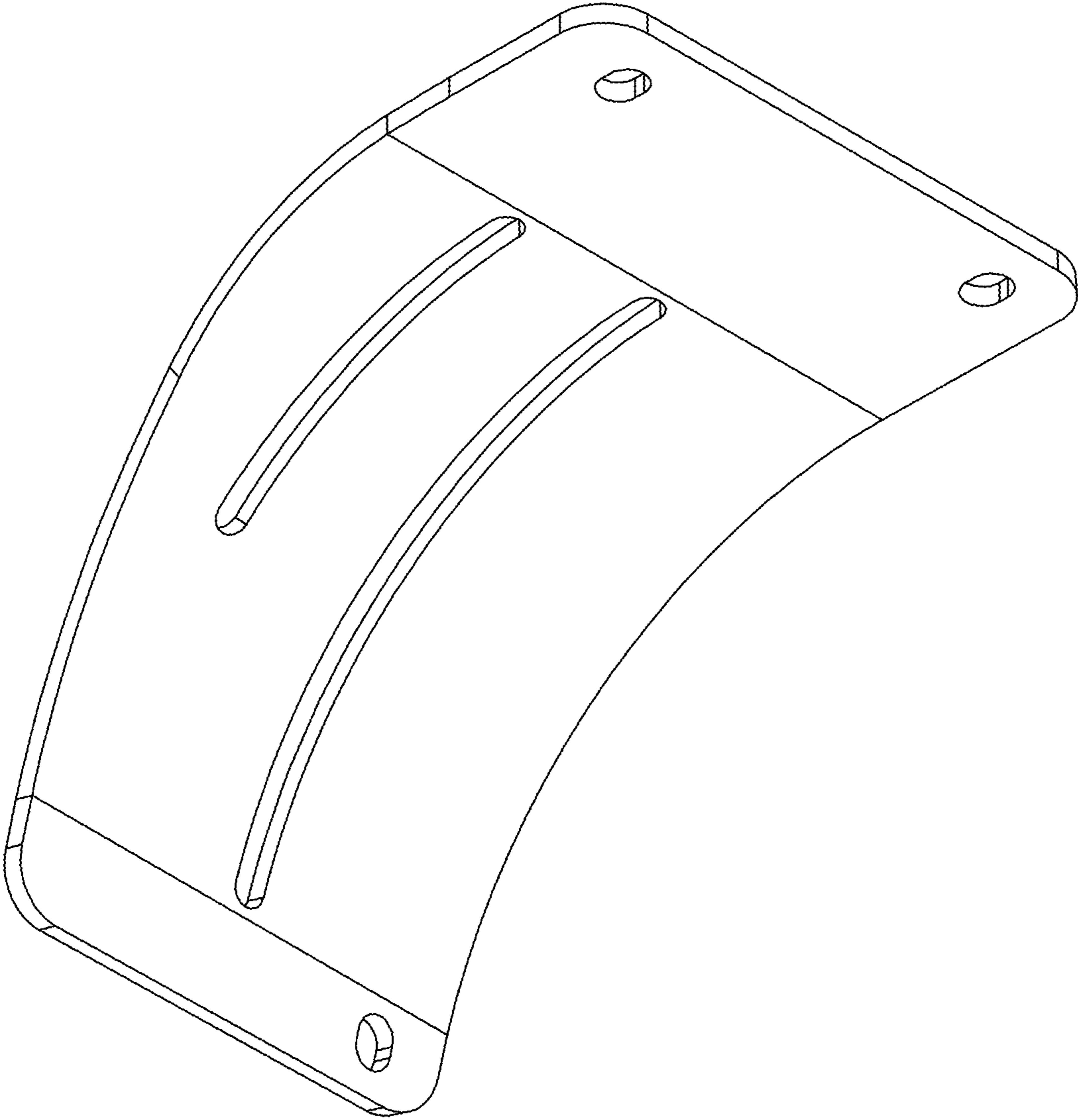


FIG. 8

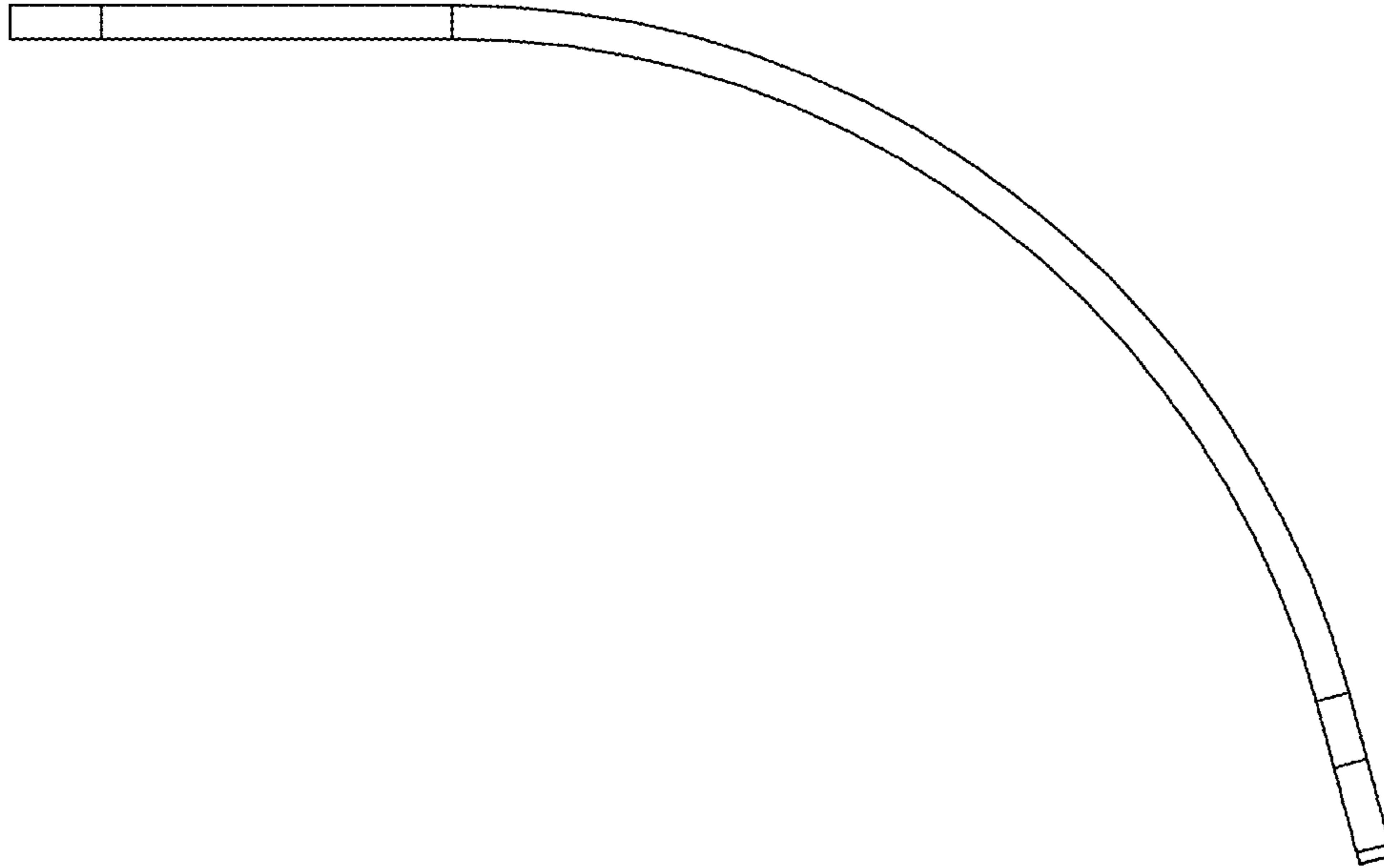


FIG. 9

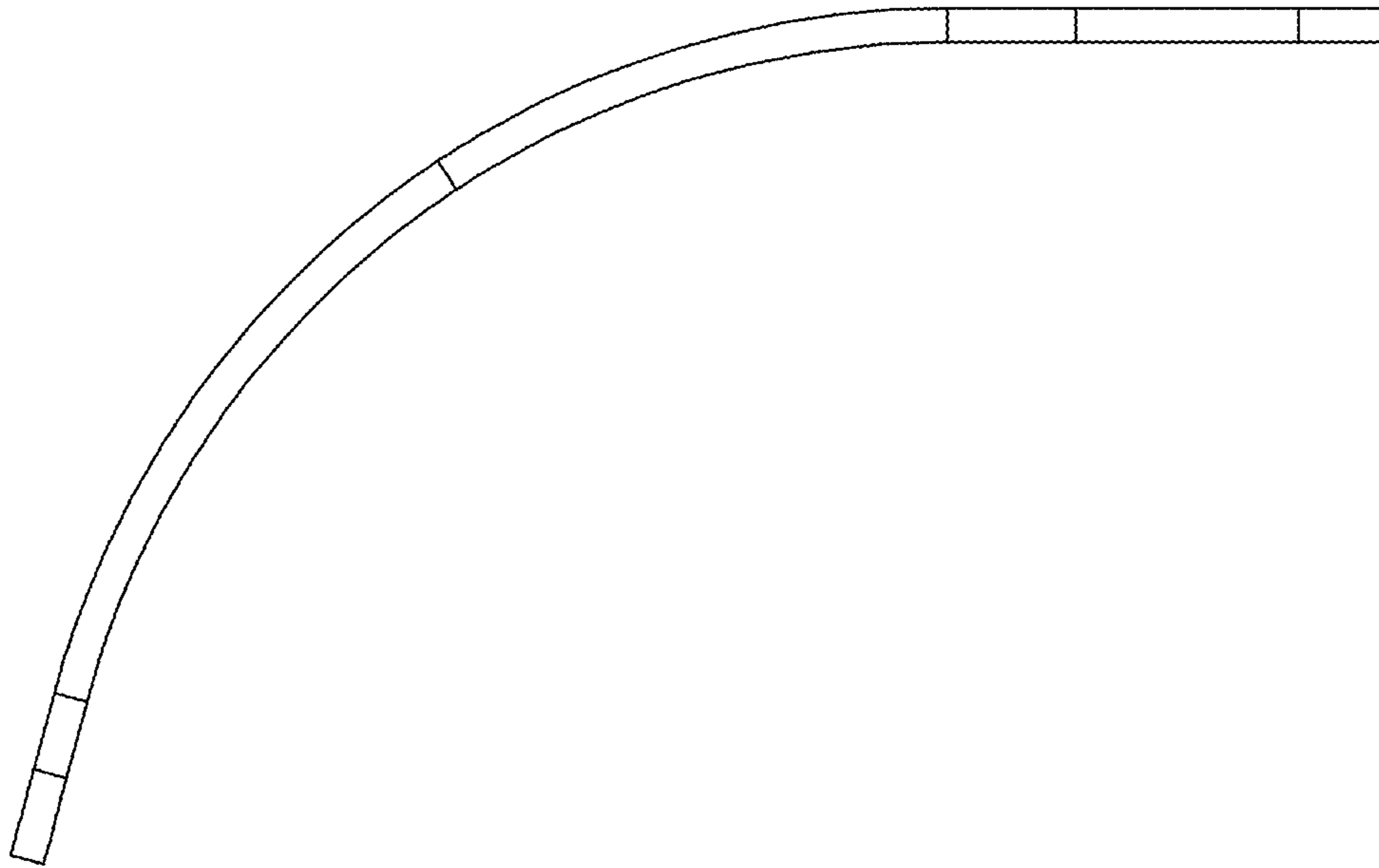


FIG. 10

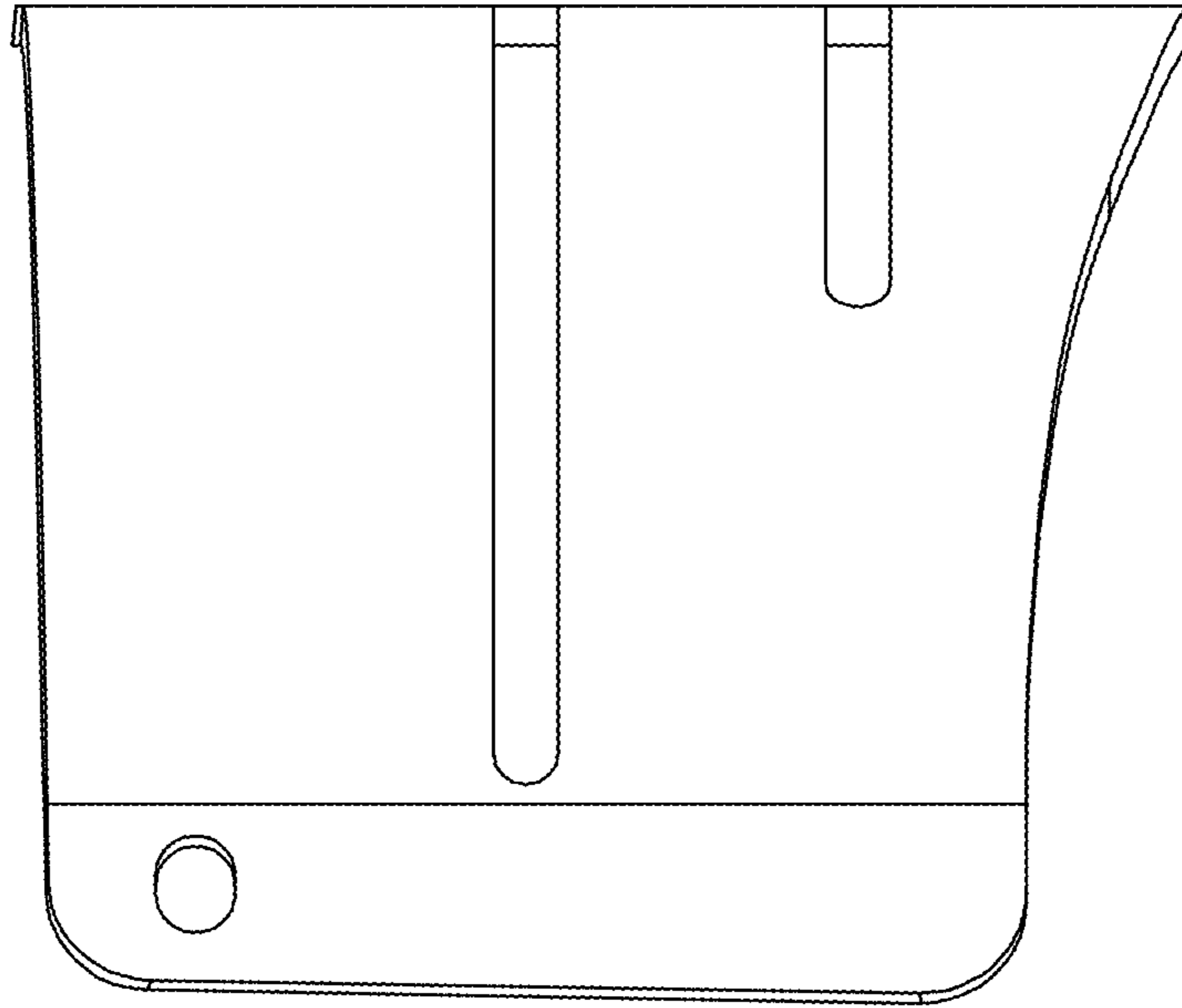


FIG. 11

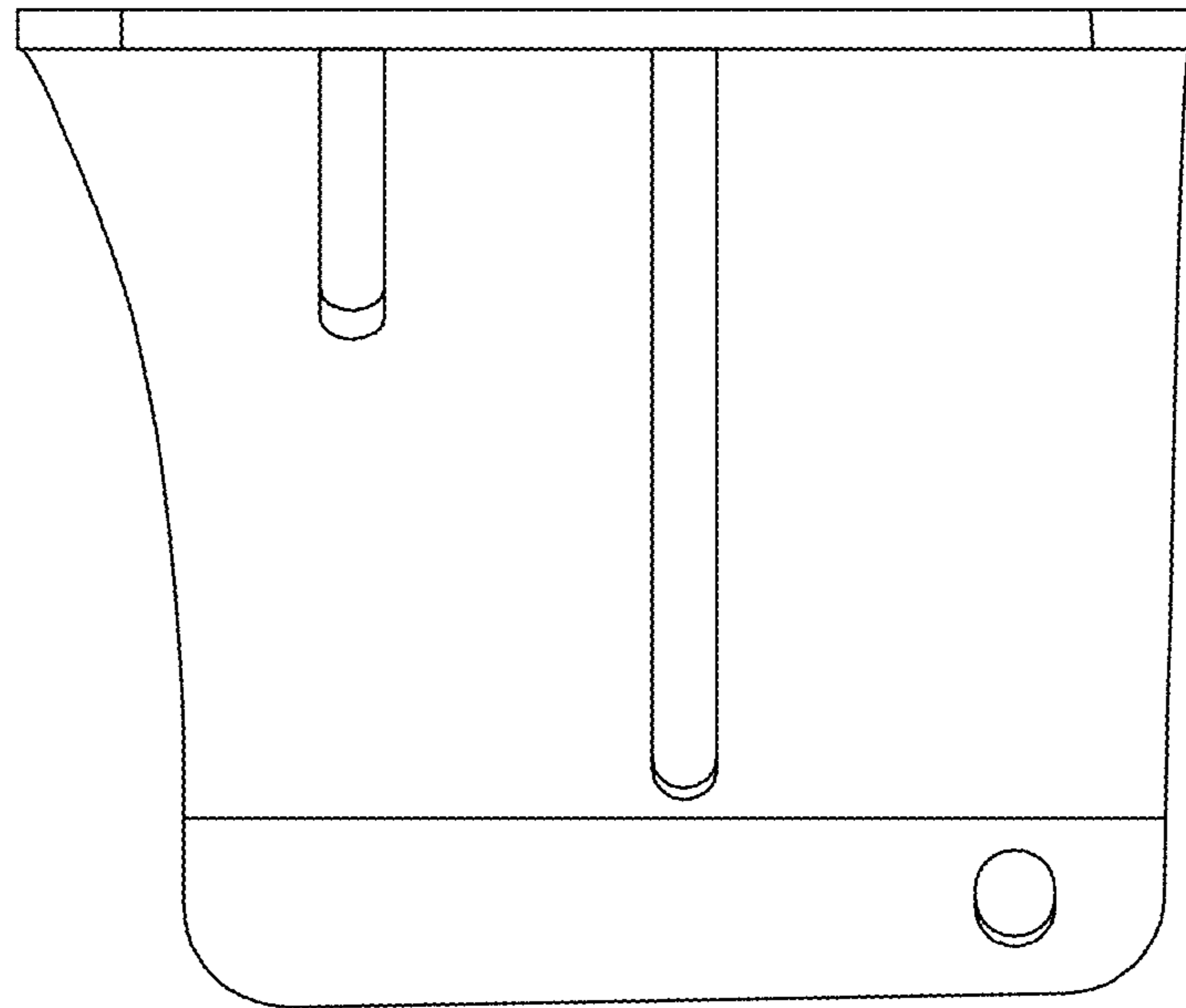


FIG. 12

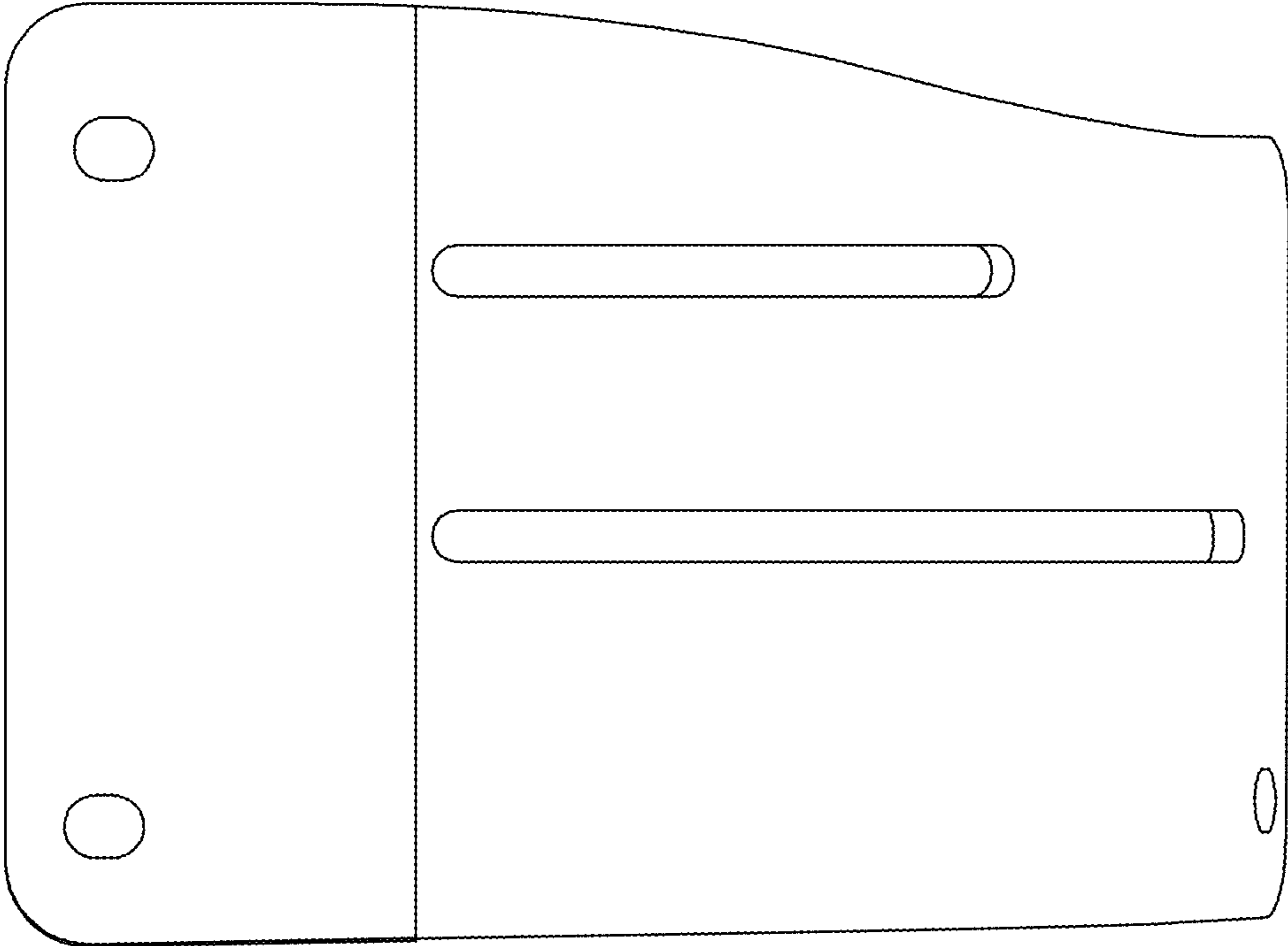


FIG. 13



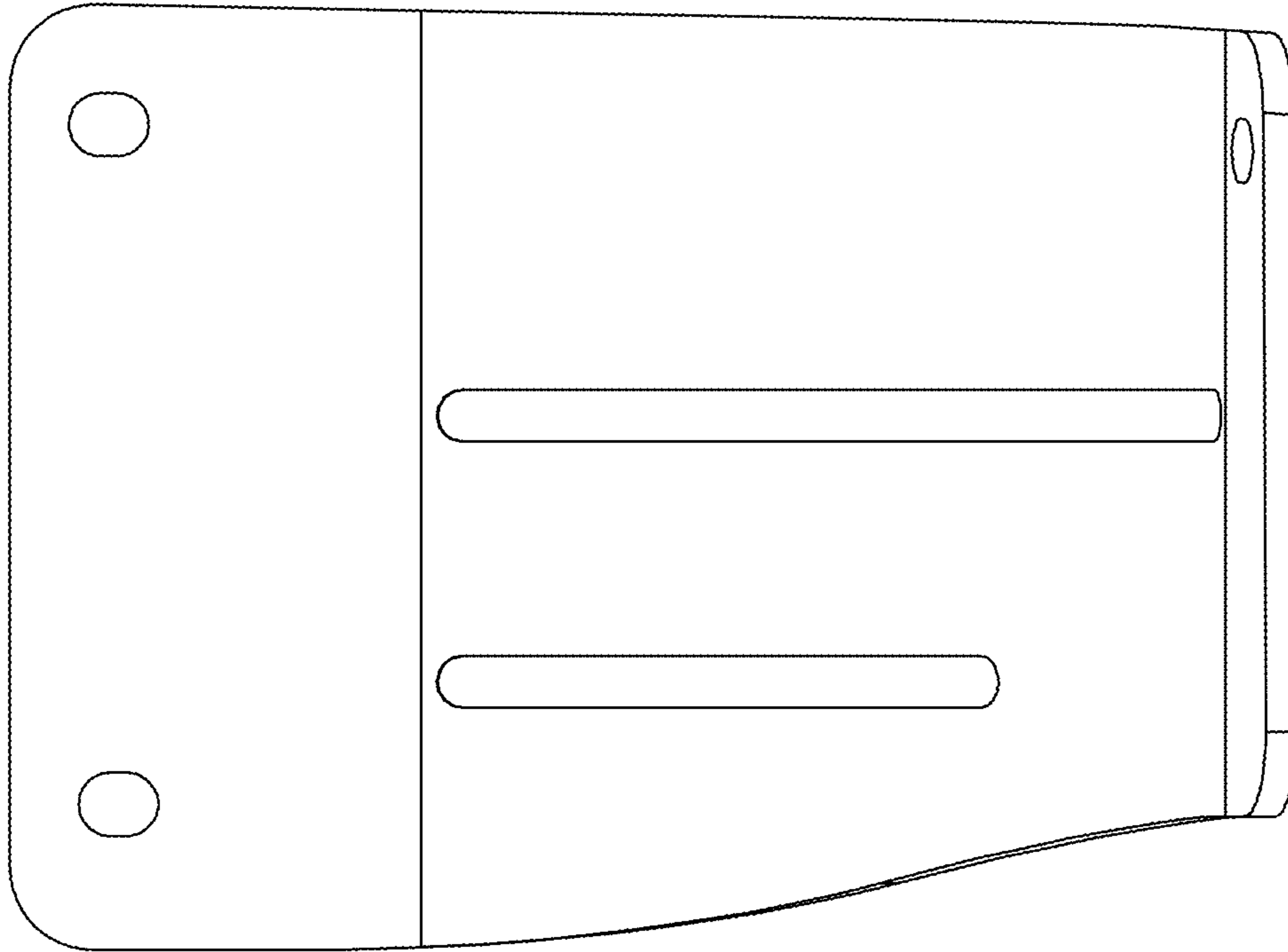


FIG. 14

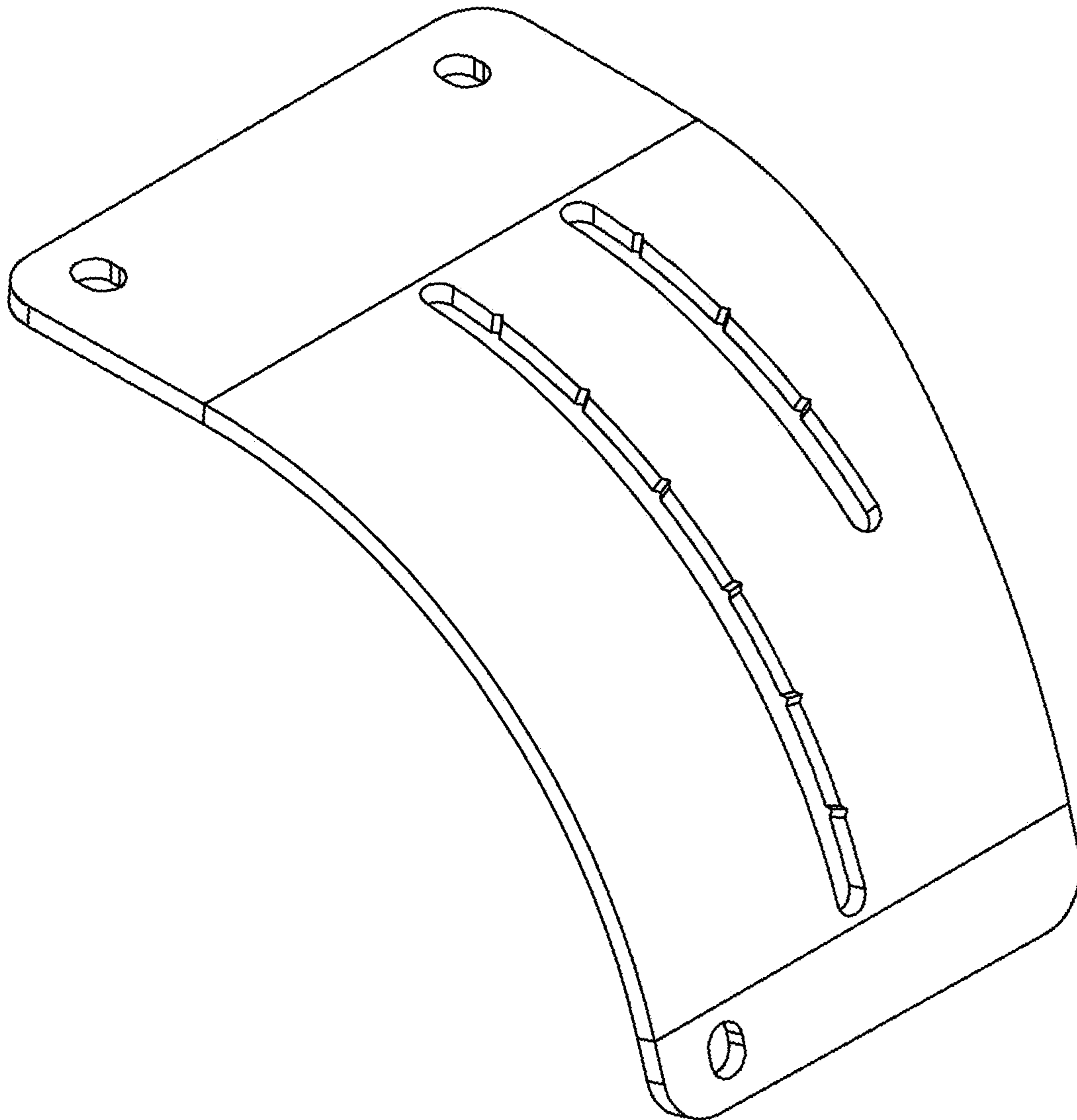


FIG. 15

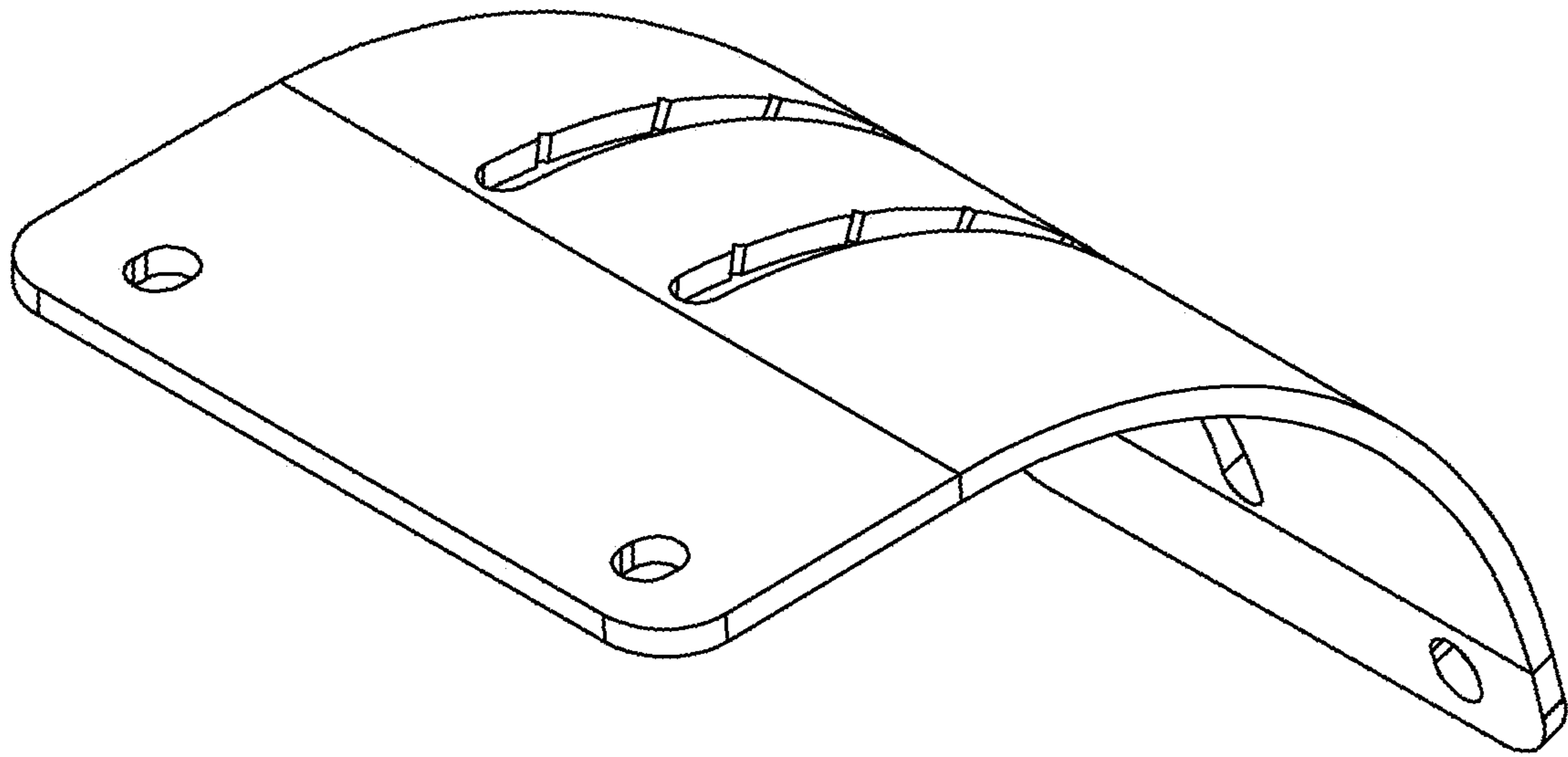


FIG. 16

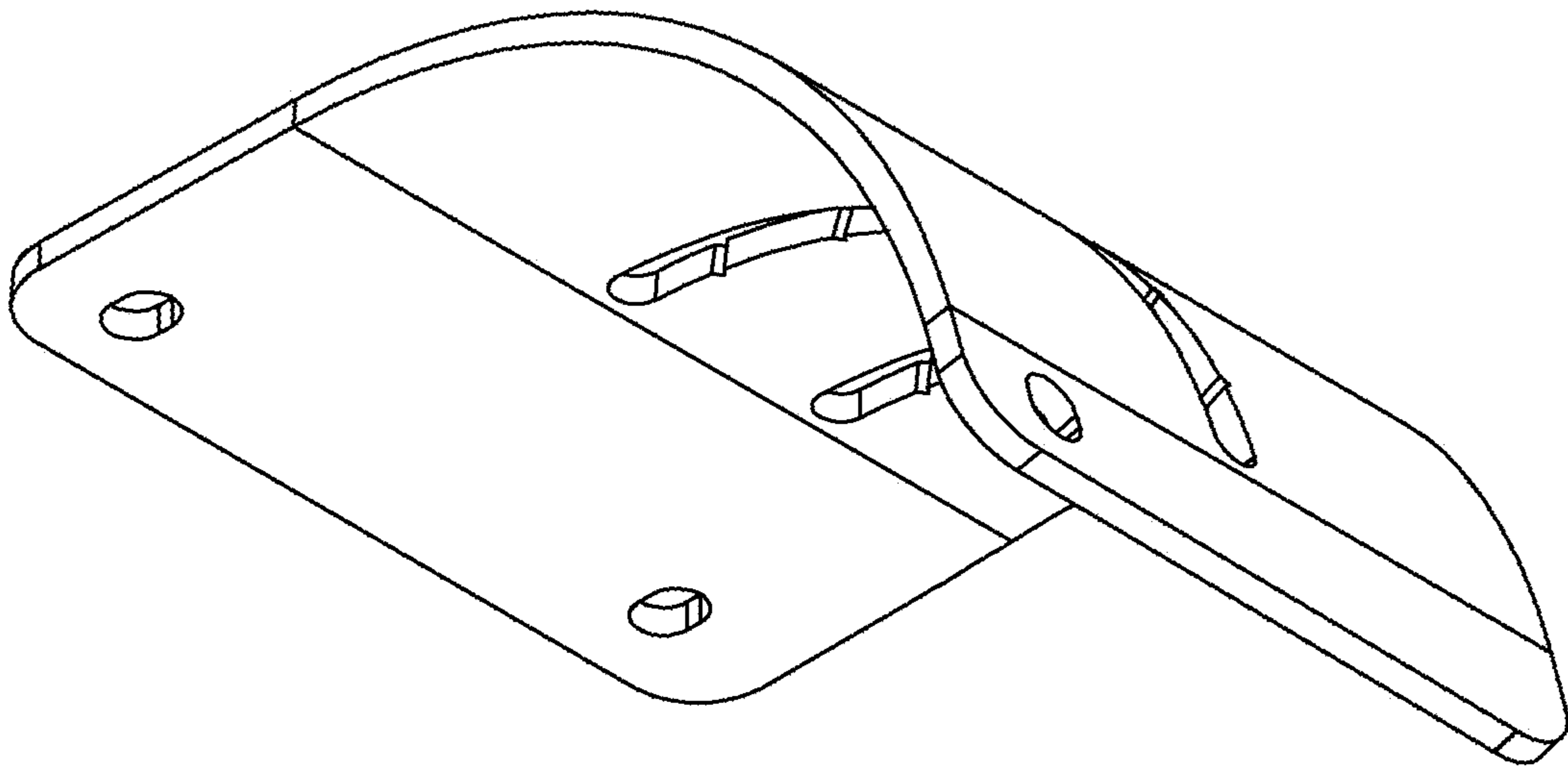


FIG. 17

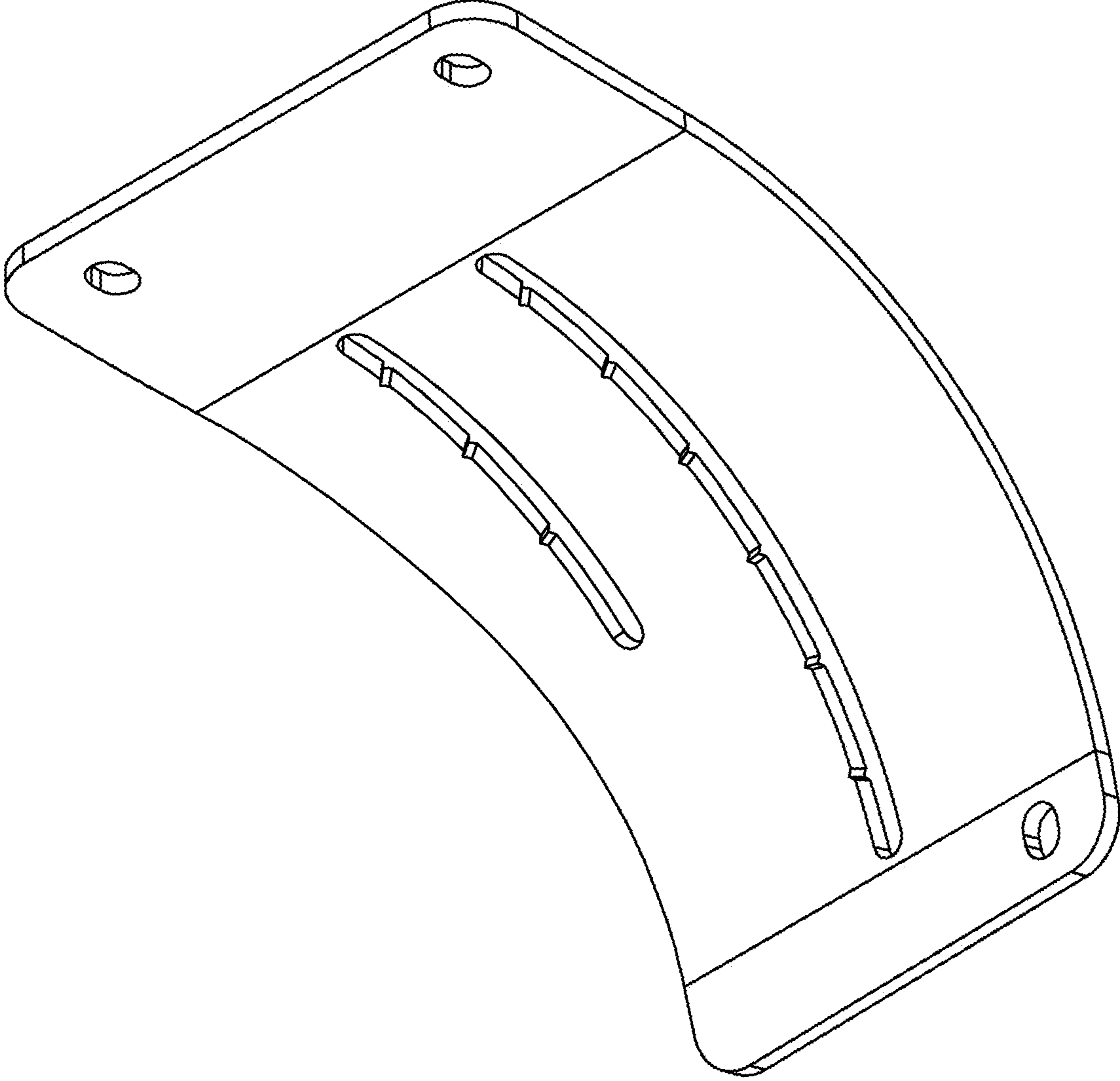


FIG. 18

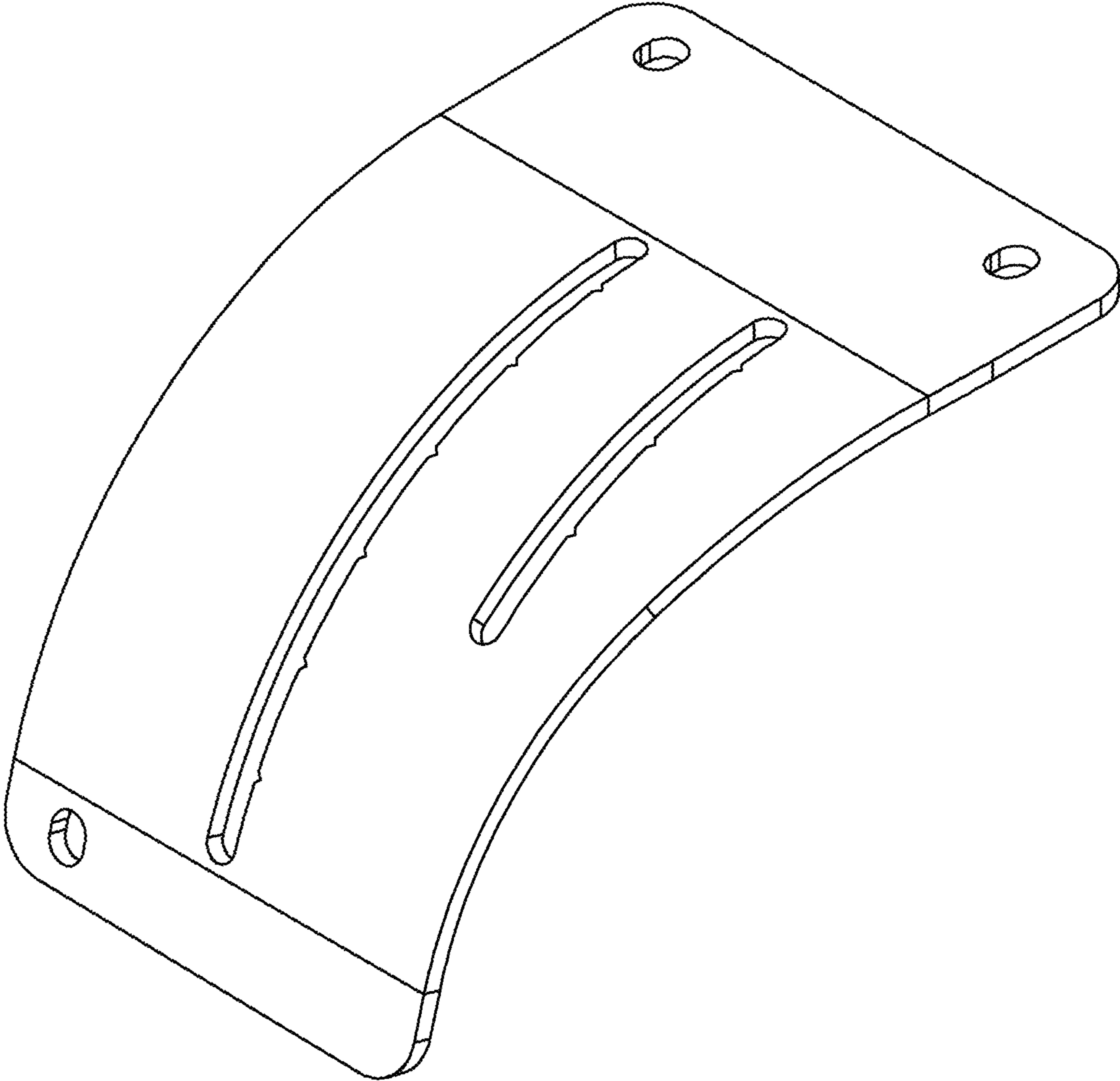


FIG. 19



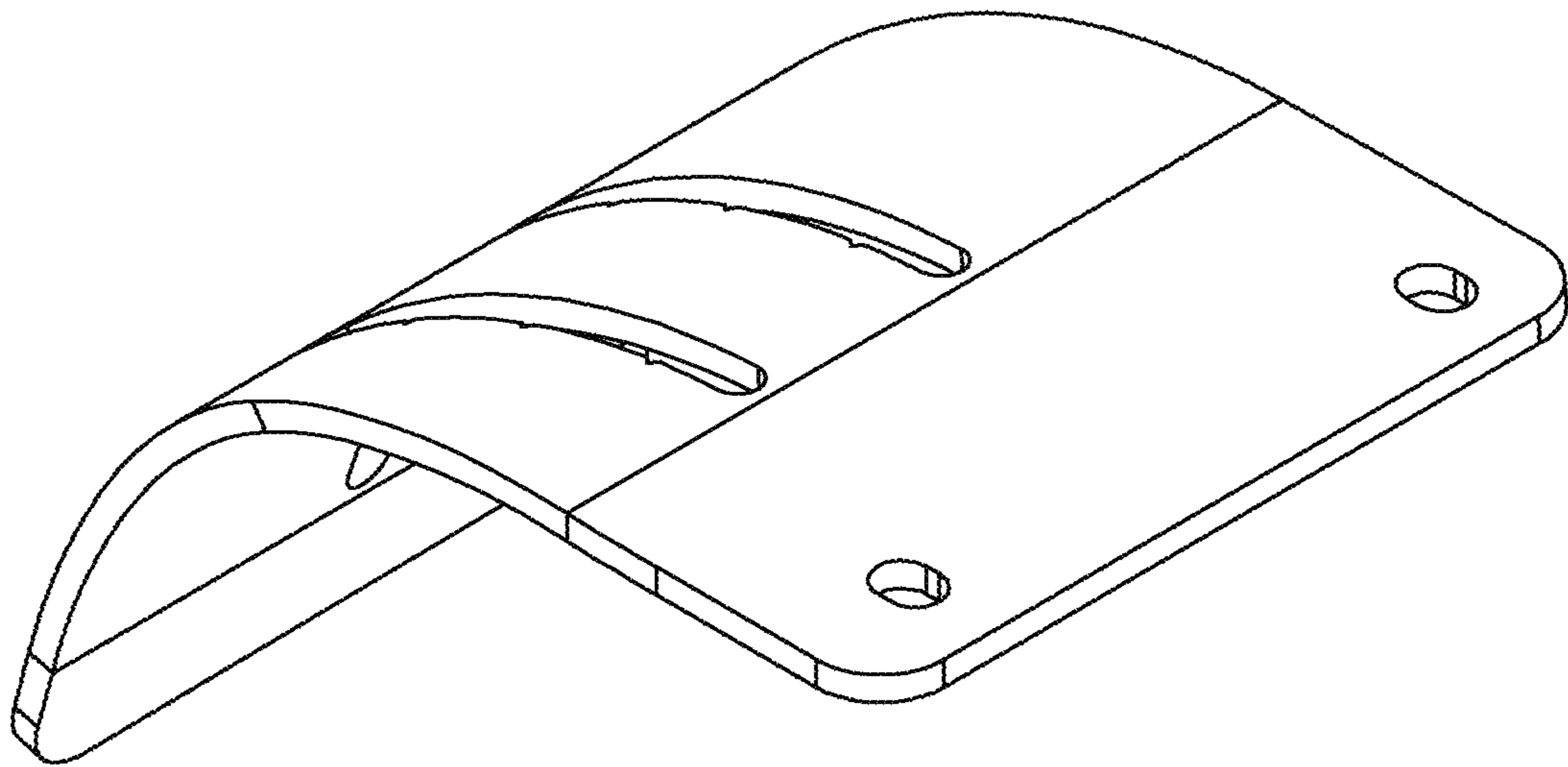


FIG. 20

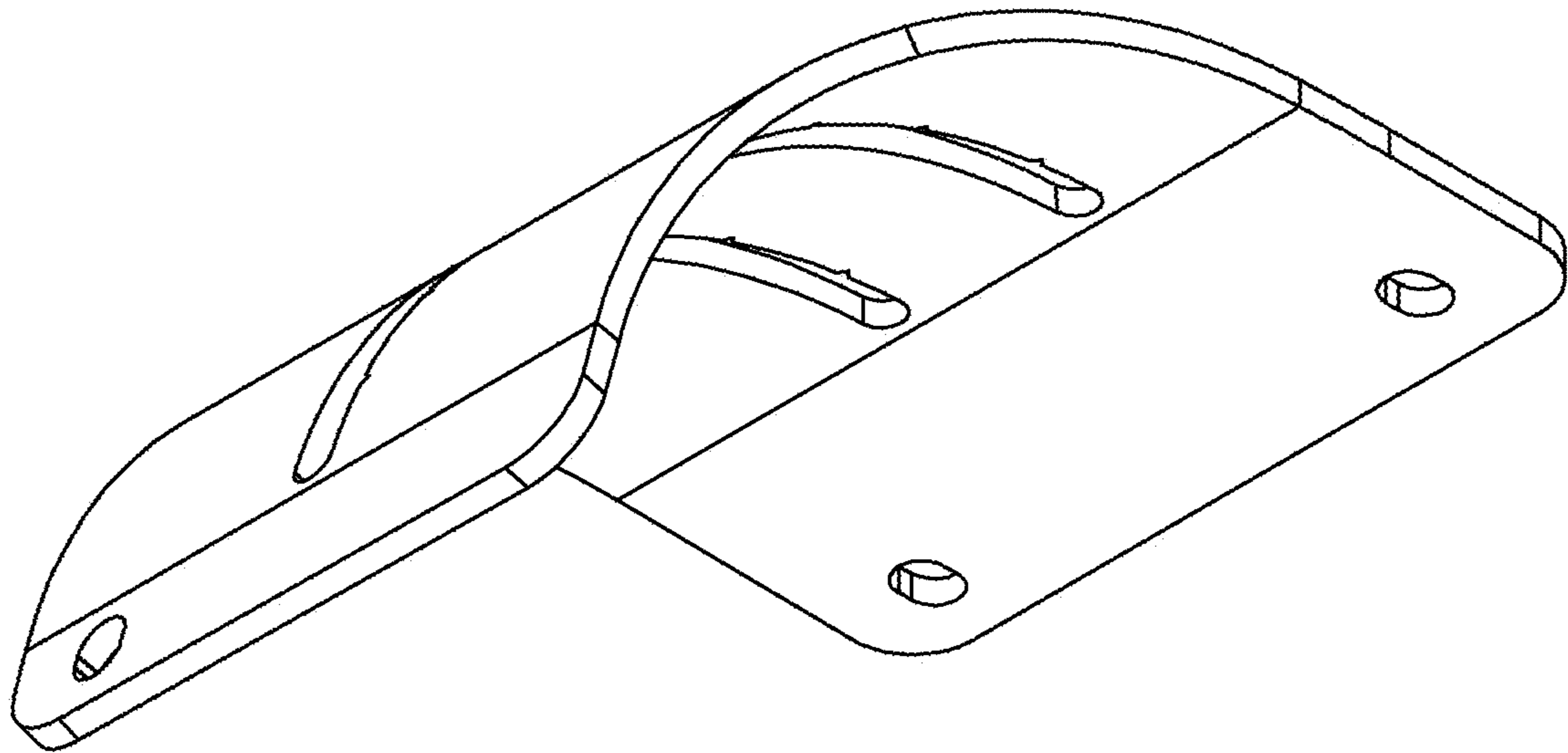


FIG. 21

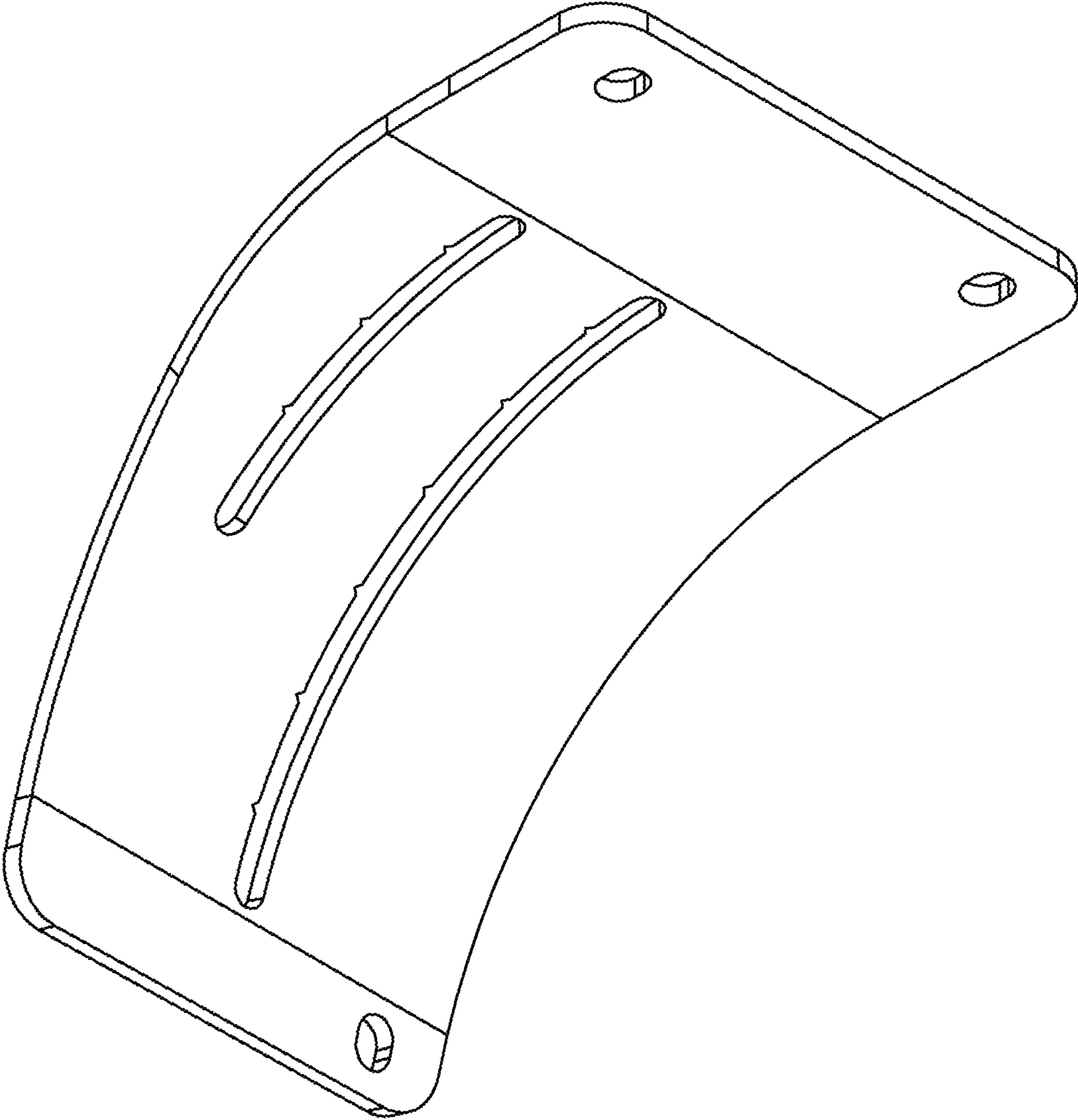


FIG. 22

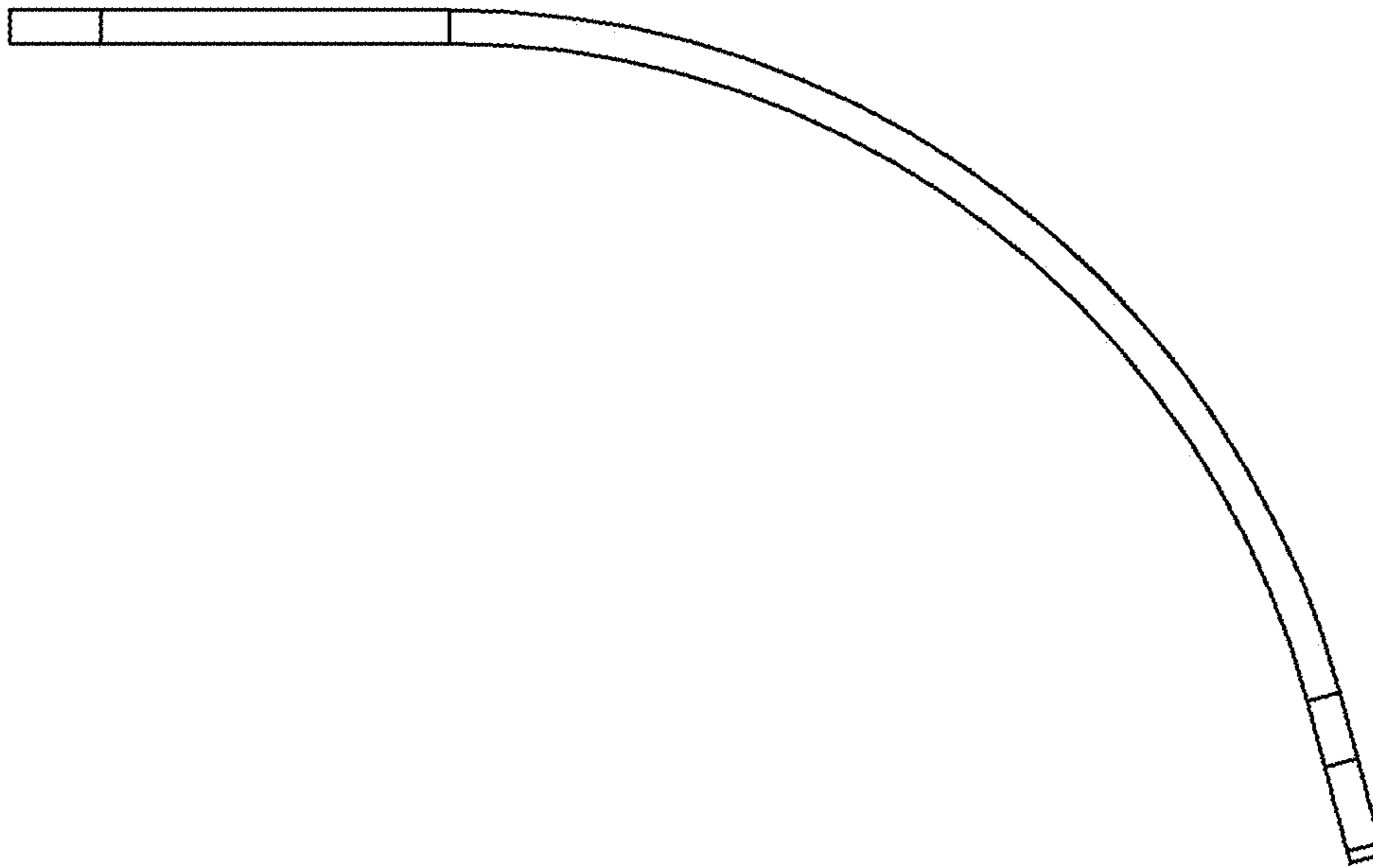


FIG. 23

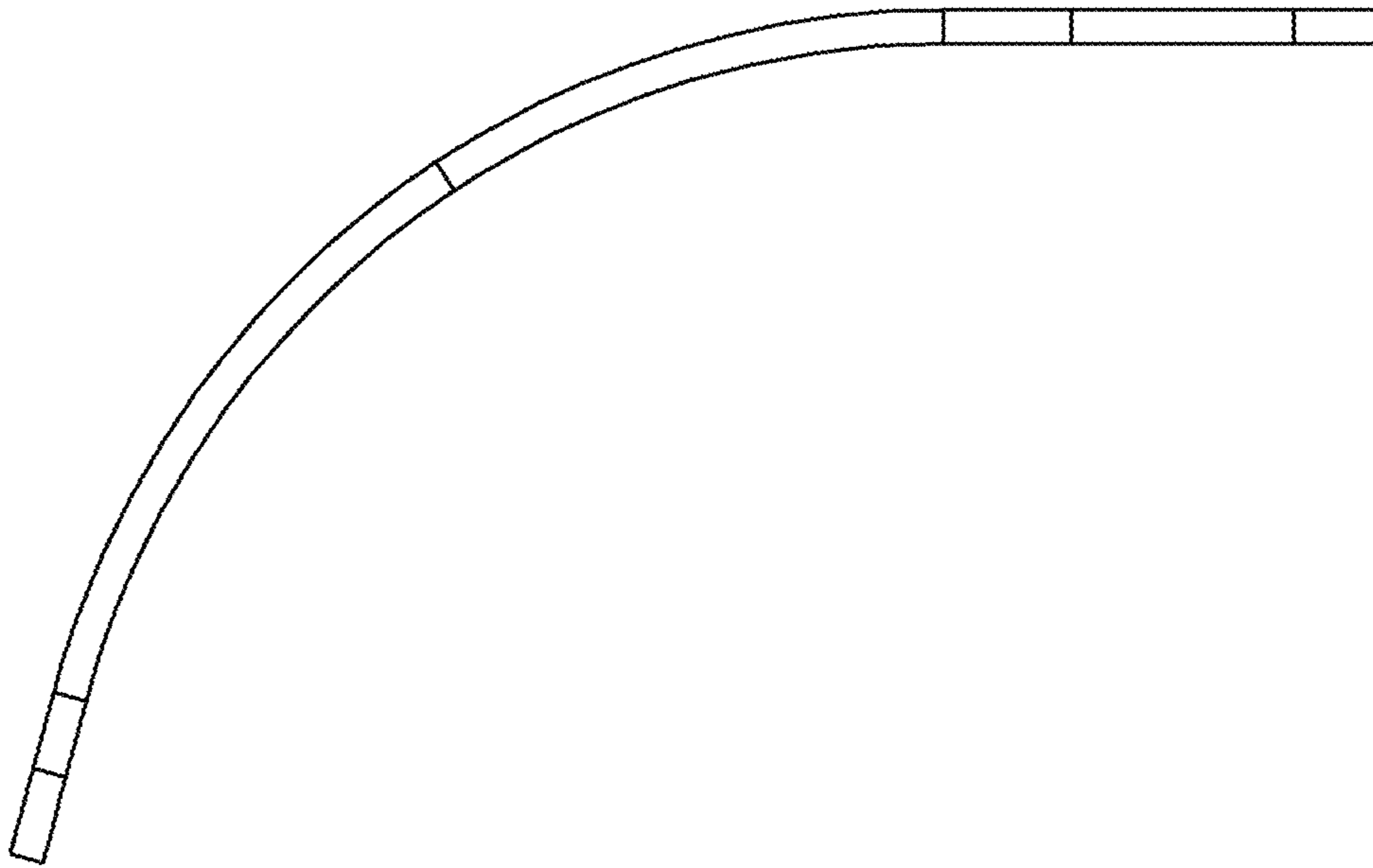


FIG. 24

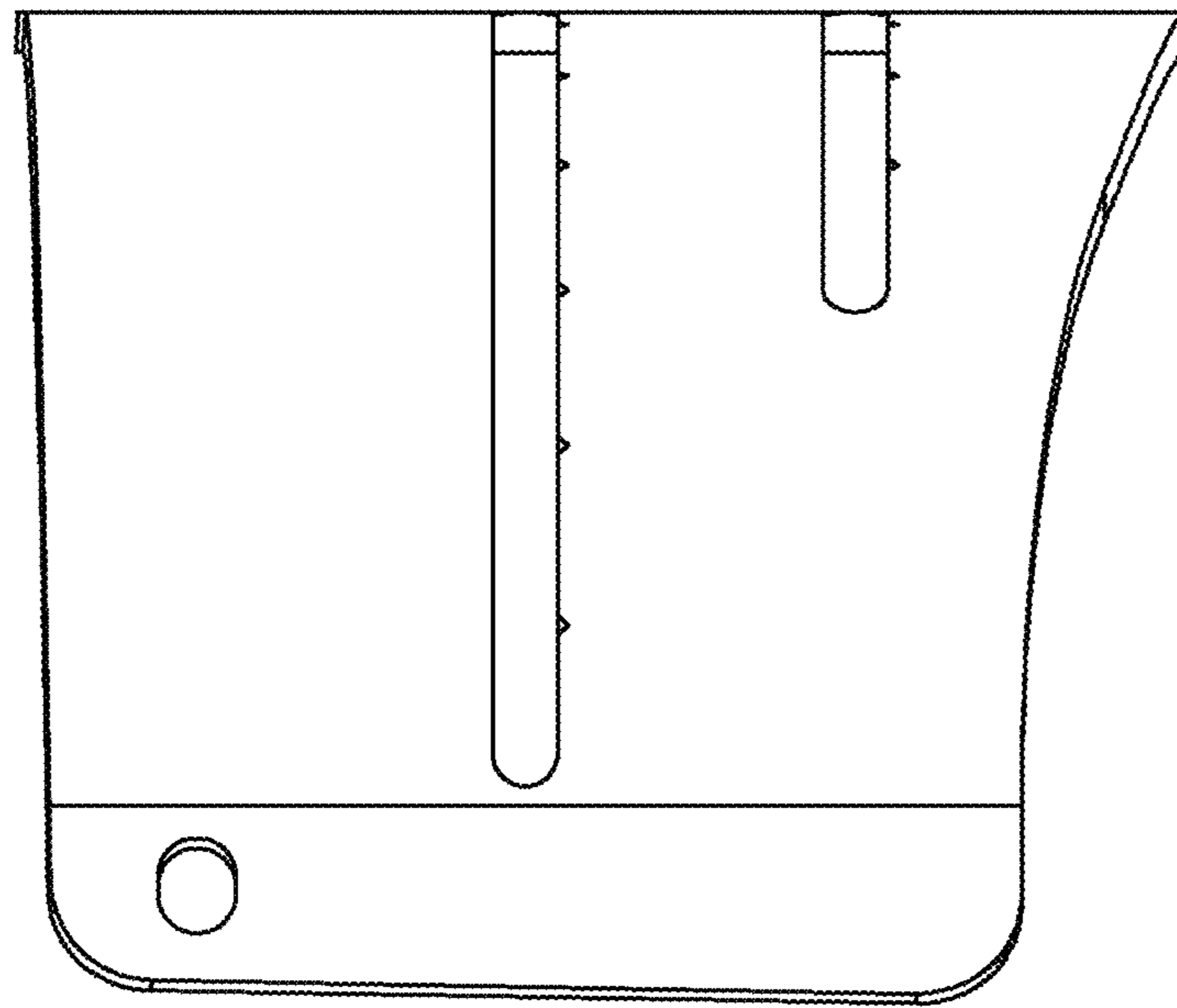


FIG. 25



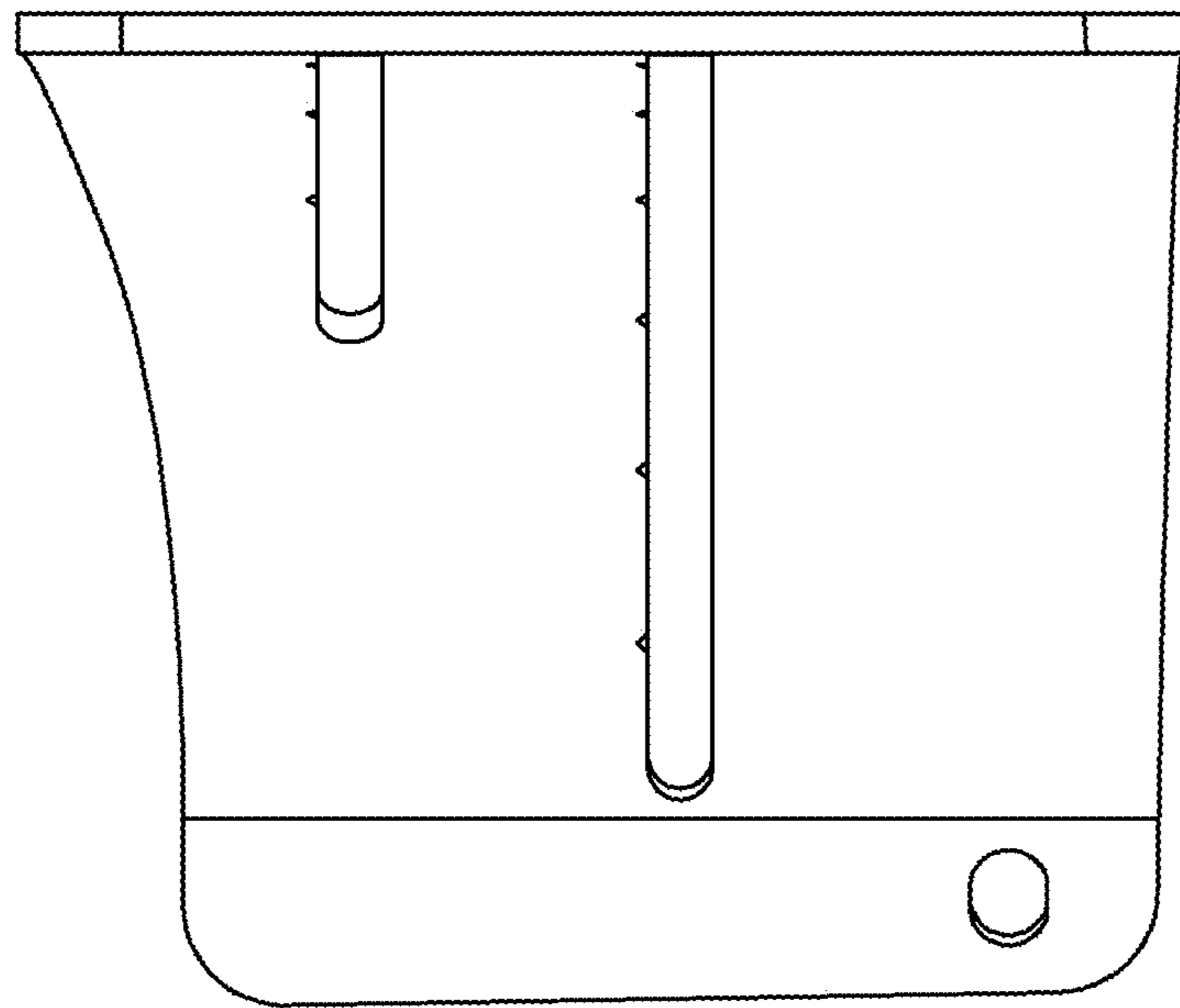


FIG. 26

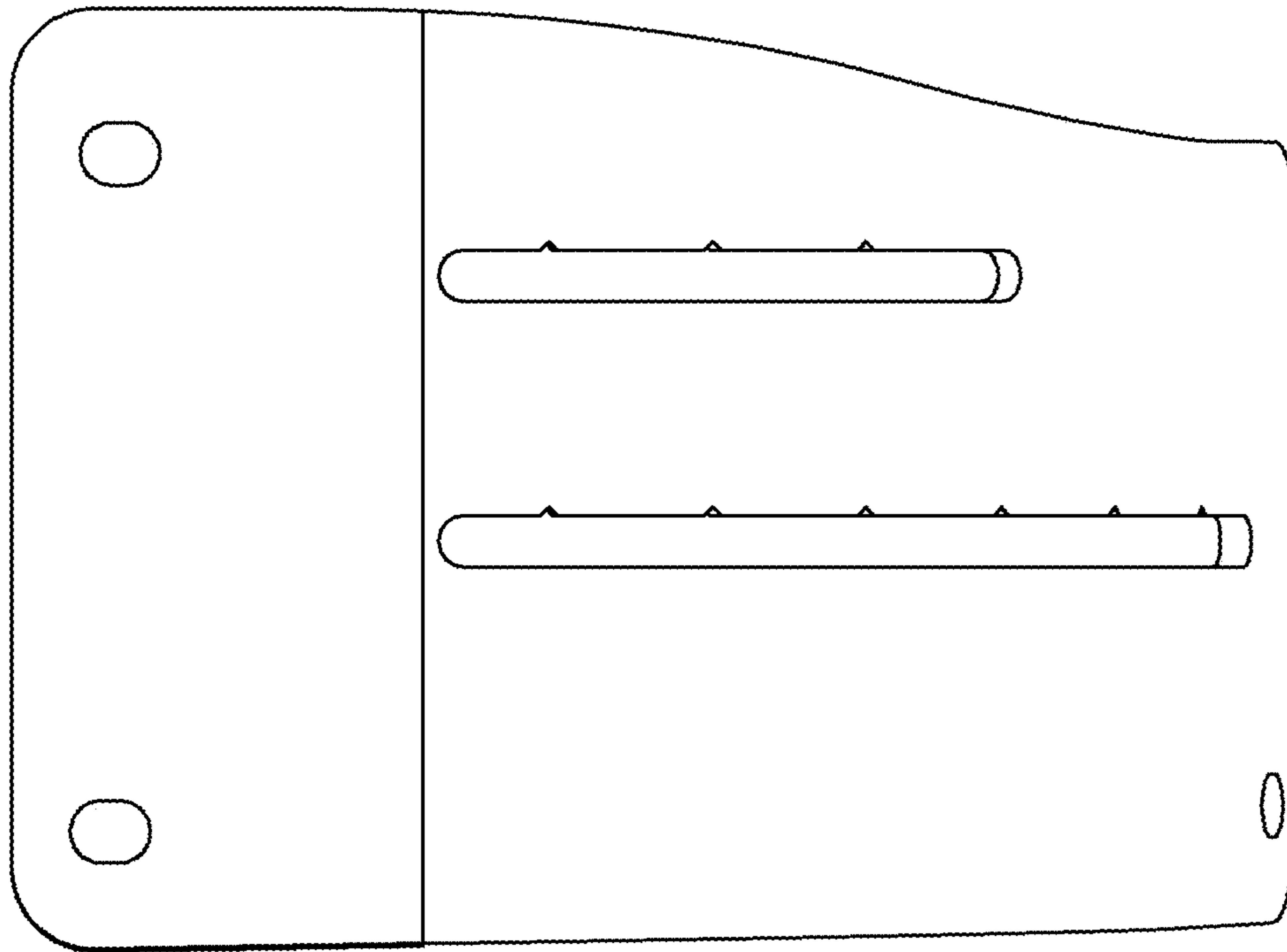


FIG. 27

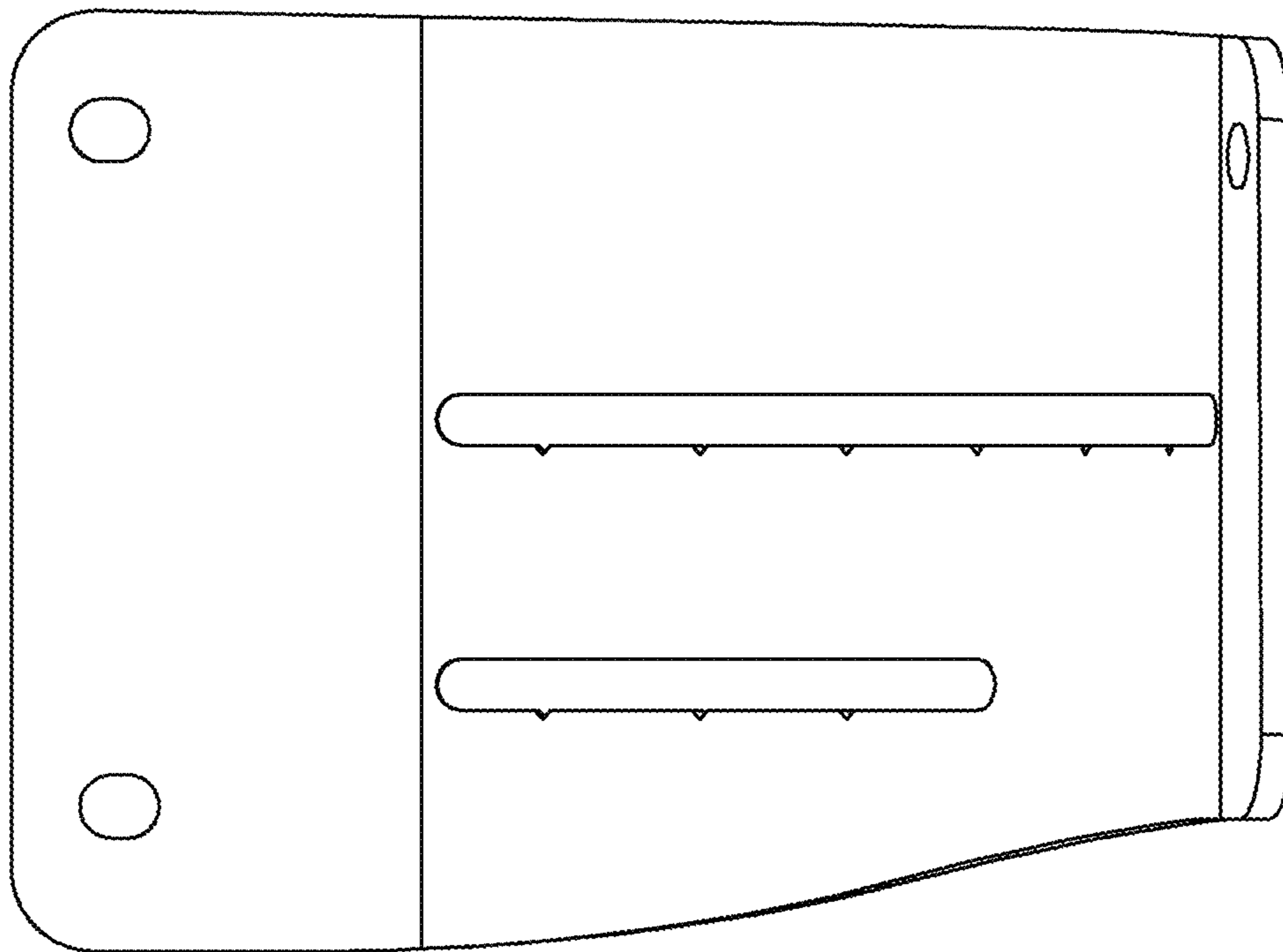


FIG. 28